



US00D363230S

United States Patent [19] Moore

[11] Patent Number: **Des. 363,230**

[45] Date of Patent: ****Oct. 17, 1995**

[54] **WALL-CLOCK**

[75] Inventor: **Shan-Ker Moore**, Taichung Hsien, Taiwan

[73] Assignee: **Centre Clock Industry Co., Ltd.**, Taichung Hsien, Taiwan

[**] Term: **14 Years**

[21] Appl. No.: **23,409**

[22] Filed: **May 24, 1994**

[52] U.S. Cl. **D10/28; D10/130**

[58] Field of Search **D10/1-40, 122-132; 368/276-277, 285, 316-317, 189-190**

[56] **References Cited**

U.S. PATENT DOCUMENTS

D. 315,685	3/1991	Kato	D10/28
D. 319,023	8/1991	Kato	D10/28
D. 335,459	5/1993	Moore	D10/28
D. 353,104	12/1994	Moore	D10/28
D. 354,011	1/1995	Shimamura	D10/28

OTHER PUBLICATIONS

European Jeweler (G.Z.) Jul. 1987—p. 41—Clock at Bottom Left.

European Jeweler (G.Z.) Apr. 1986—p. 233—Clock at Top.

Primary Examiner—Nelson C. Holtje
Attorney, Agent, or Firm—Browdy and Neimark

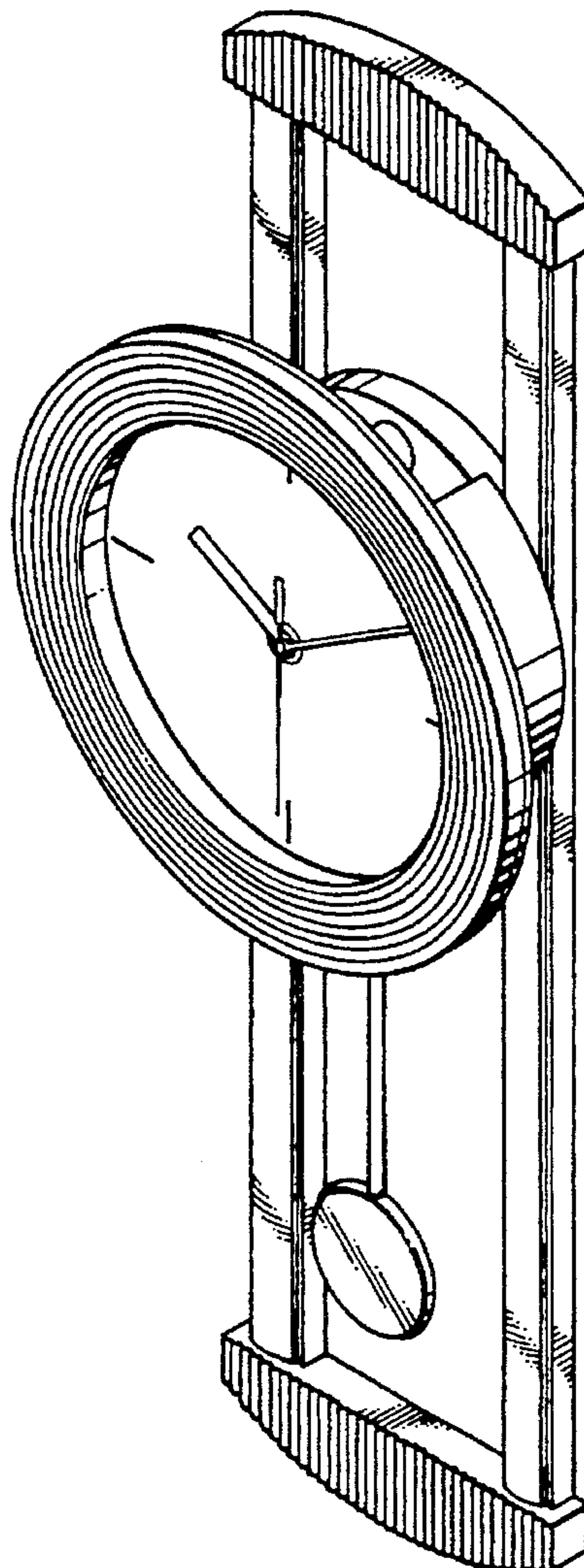
[57] **CLAIM**

The ornamental design for wall-clock, as shown and described.

DESCRIPTION

FIG. 1 is a perspective view of wall-clock of my new design; FIG. 2 is a front view thereof; FIG. 3 is a back side view thereof; FIG. 4 is a left side view thereof; FIG. 5 is a right side view thereof; FIG. 6 is a top plan view thereof; and, FIG. 7 is a bottom view thereof.

1 Claim, 3 Drawing Sheets



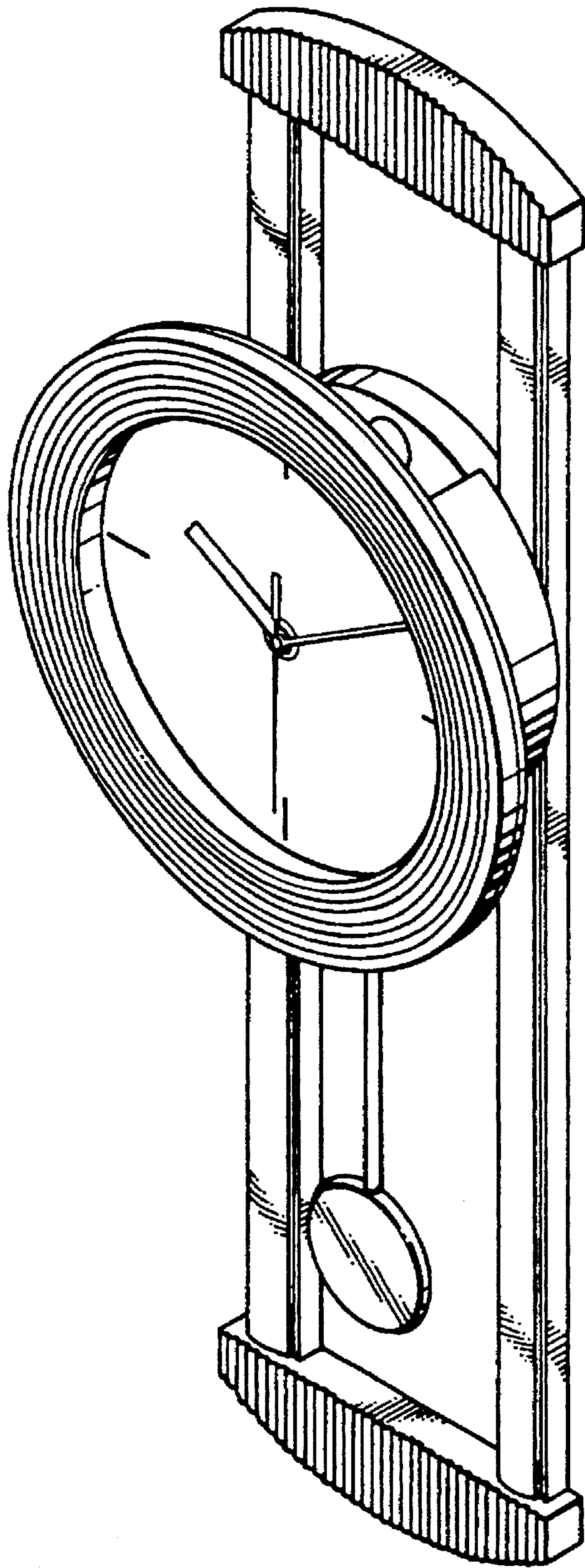


FIG. 1

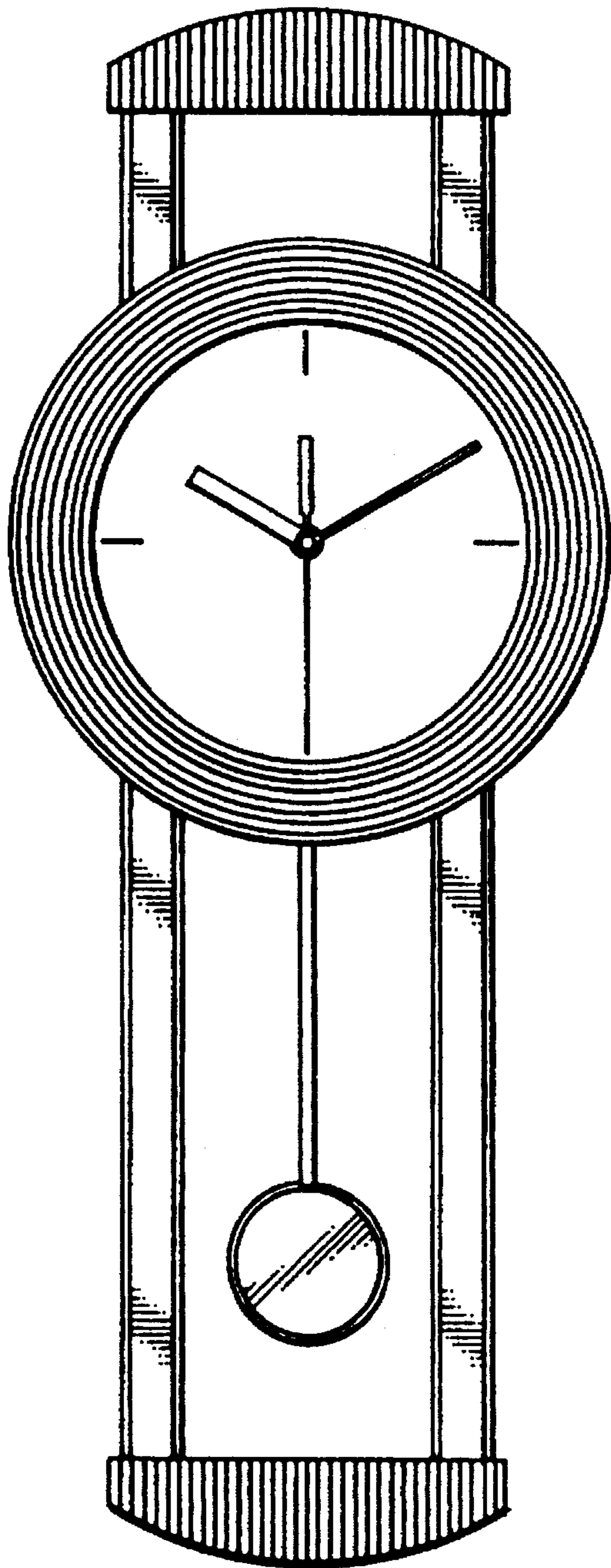


FIG. 2

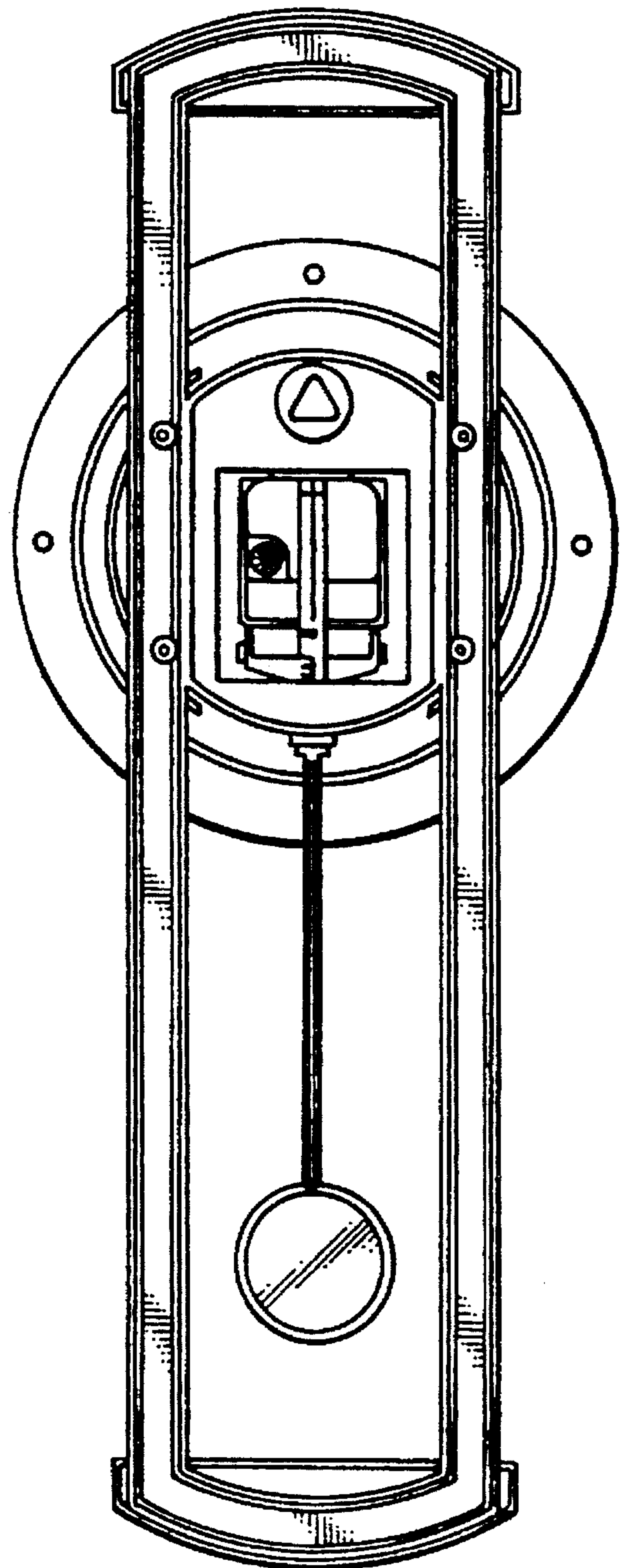


FIG. 3

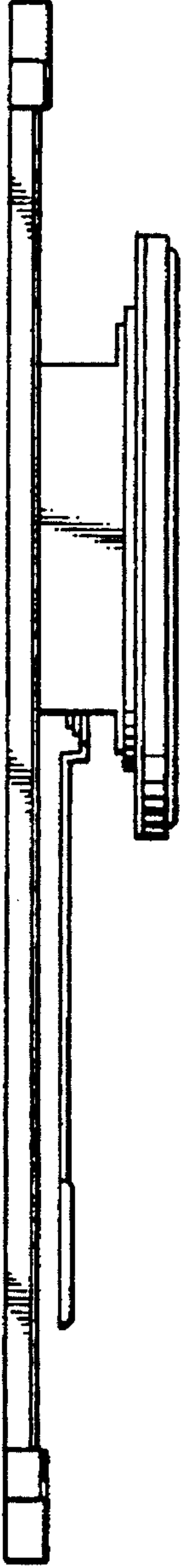


FIG. 4

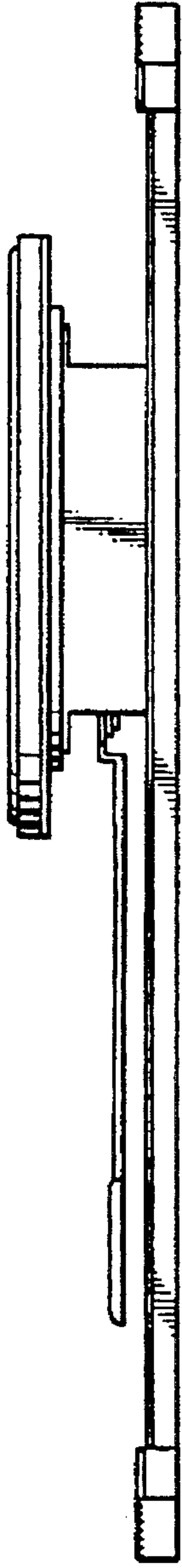


FIG. 5

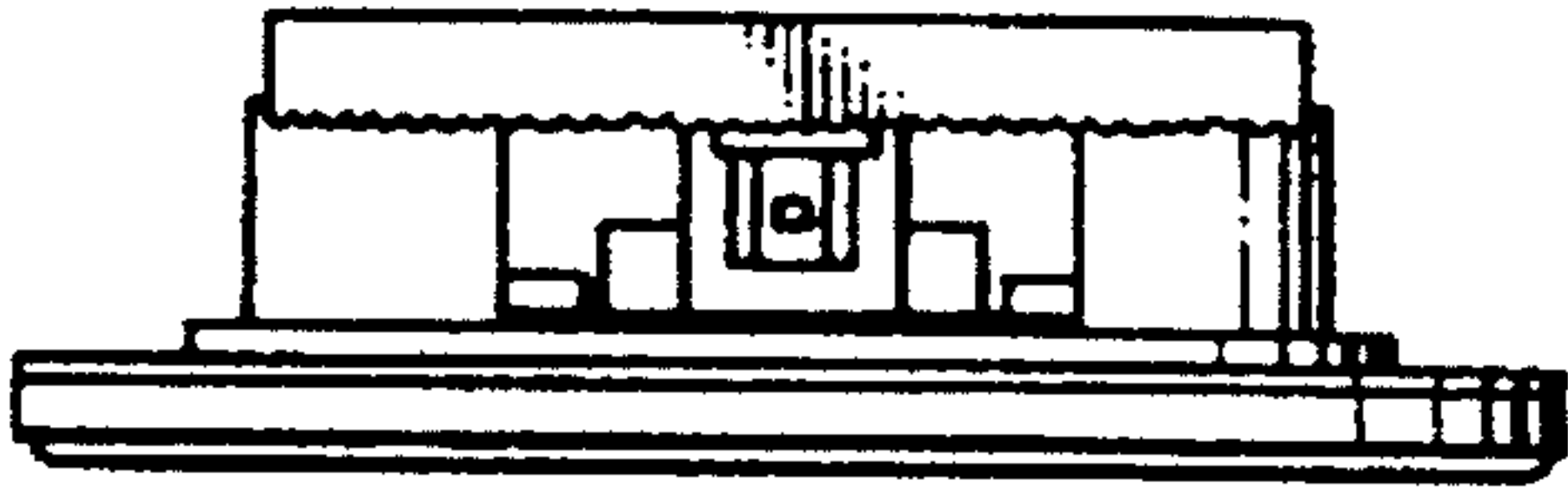


FIG. 6

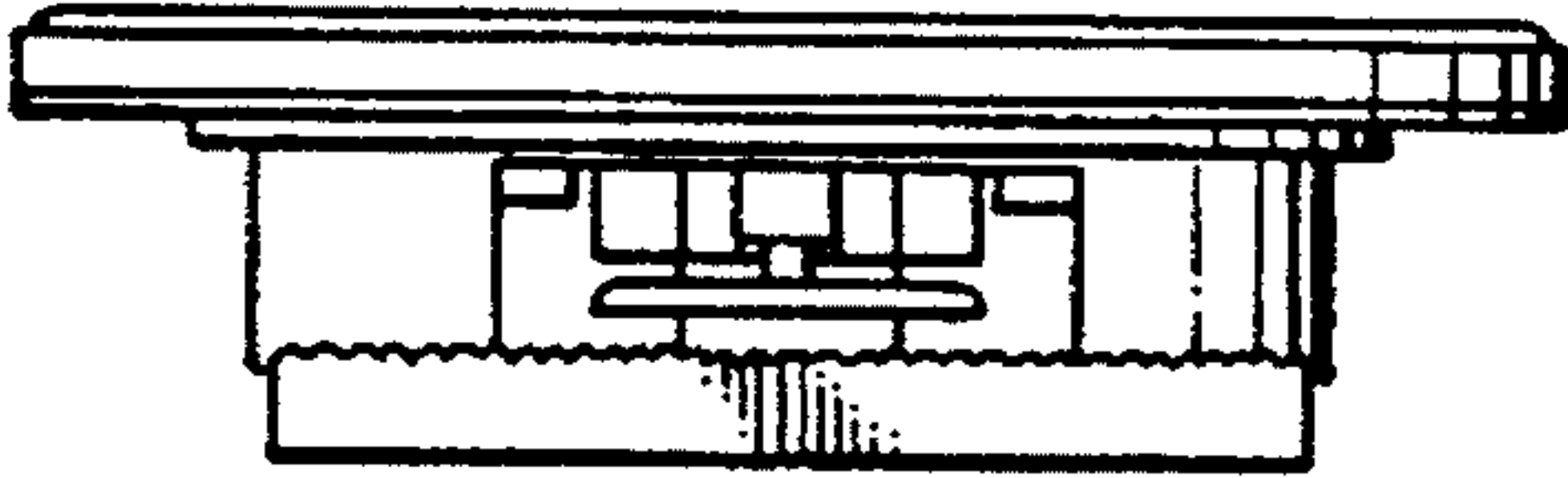


FIG. 7