



US00D363229S

# United States Patent [19] Wong

[11] Patent Number: **Des. 363,229**

[45] Date of Patent: **\*\*Oct. 17, 1995**

[54] **ANALOG ALARM CLOCK**

[75] Inventor: **Lai L. Wong**, Hong Kong, Hong Kong

[73] Assignee: **Ballanda Limited**, Kwai Chug, Hong Kong

[\*\*] Term: **14 Years**

[21] Appl. No.: **31,267**

[22] Filed: **Nov. 17, 1994**

[52] U.S. Cl. .... **D10/18**; D10/26

[58] Field of Search ..... D10/1-40, 122-132;  
368/276-277, 285, 316-317

[56] **References Cited**

**U.S. PATENT DOCUMENTS**

D. 274,042	5/1984	Bulgari .....	D10/18
D. 316,040	4/1991	Mayuzumi .....	D10/18
D. 321,661	11/1991	Shimamura .....	D10/18
D. 321,663	11/1991	Tanaka .....	D10/18
D. 354,003	1/1995	Takashima .....	D10/18
1,651,804	12/1927	Busch .....	368/317
1,804,048	5/1931	Bosch .....	D10/18 X
1,964,334	6/1934	Verger .....	368/276 X

**FOREIGN PATENT DOCUMENTS**

678308	3/1930	France .....	368/316
--------	--------	--------------	---------

*Primary Examiner*—Nelson C. Holtje

*Attorney, Agent, or Firm*—Beveridge, DeGrandi, Weilacher & Young

[57] **CLAIM**

The ornamental design for a analog alarm clock, as shown and described.

**DESCRIPTION**

FIG. 1 is a front elevational view of a analog alarm clock showing my new design;

FIG. 2 is a back elevational view thereof;

FIG. 3 is a left side elevational view thereof;

FIG. 4 is a right side elevational view thereof;

FIG. 5 is a top elevational view thereof;

FIG. 6 is a bottom elevational view thereof;

FIG. 7 is a front elevational view thereof, with lid being in a covered position;

FIG. 8 is a back elevational view thereof, with lid being in a covered position; and,

FIG. 9 is a side elevational view thereof, with lid being in a covered position.

**1 Claim, 4 Drawing Sheets**

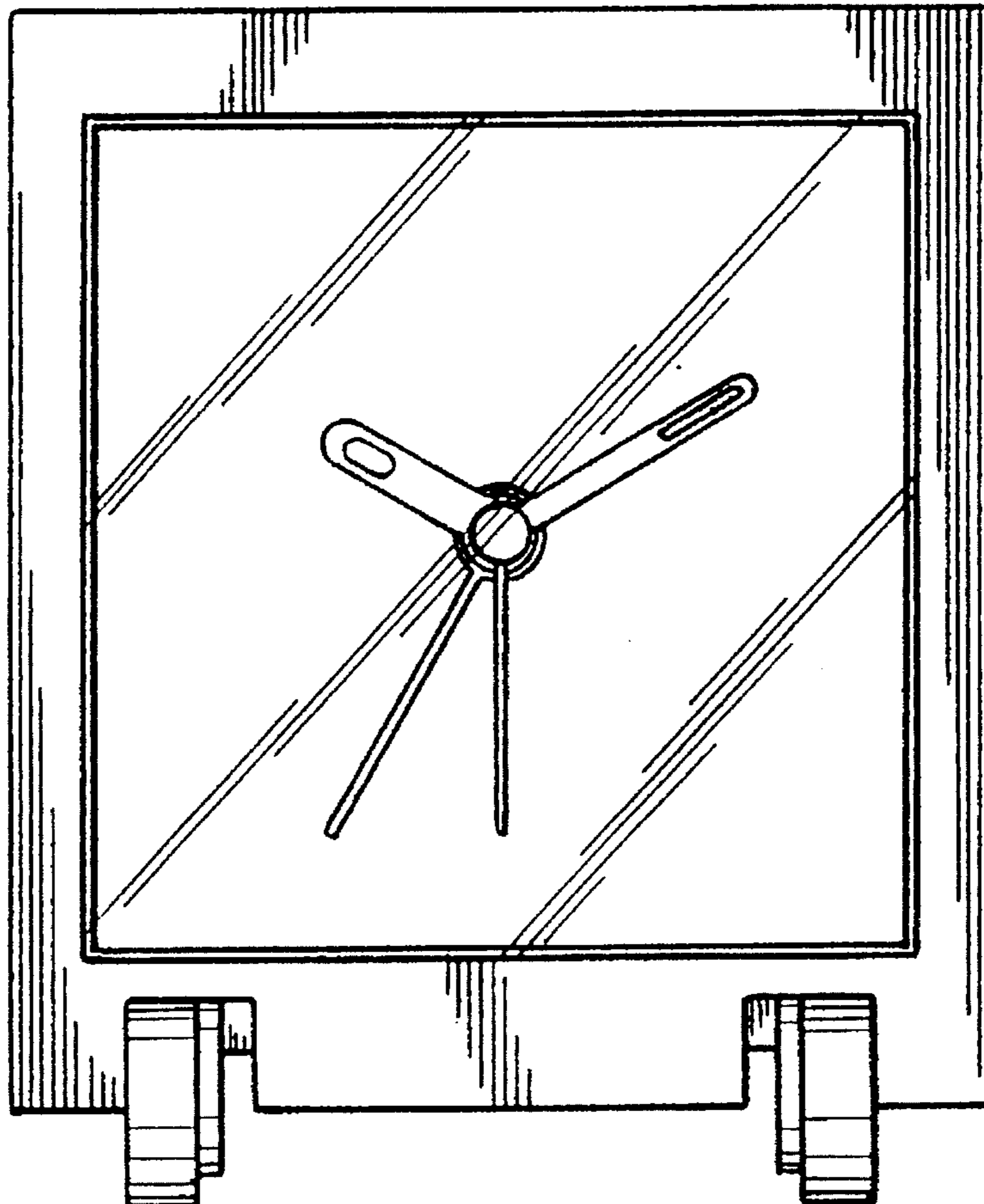


FIG. 1

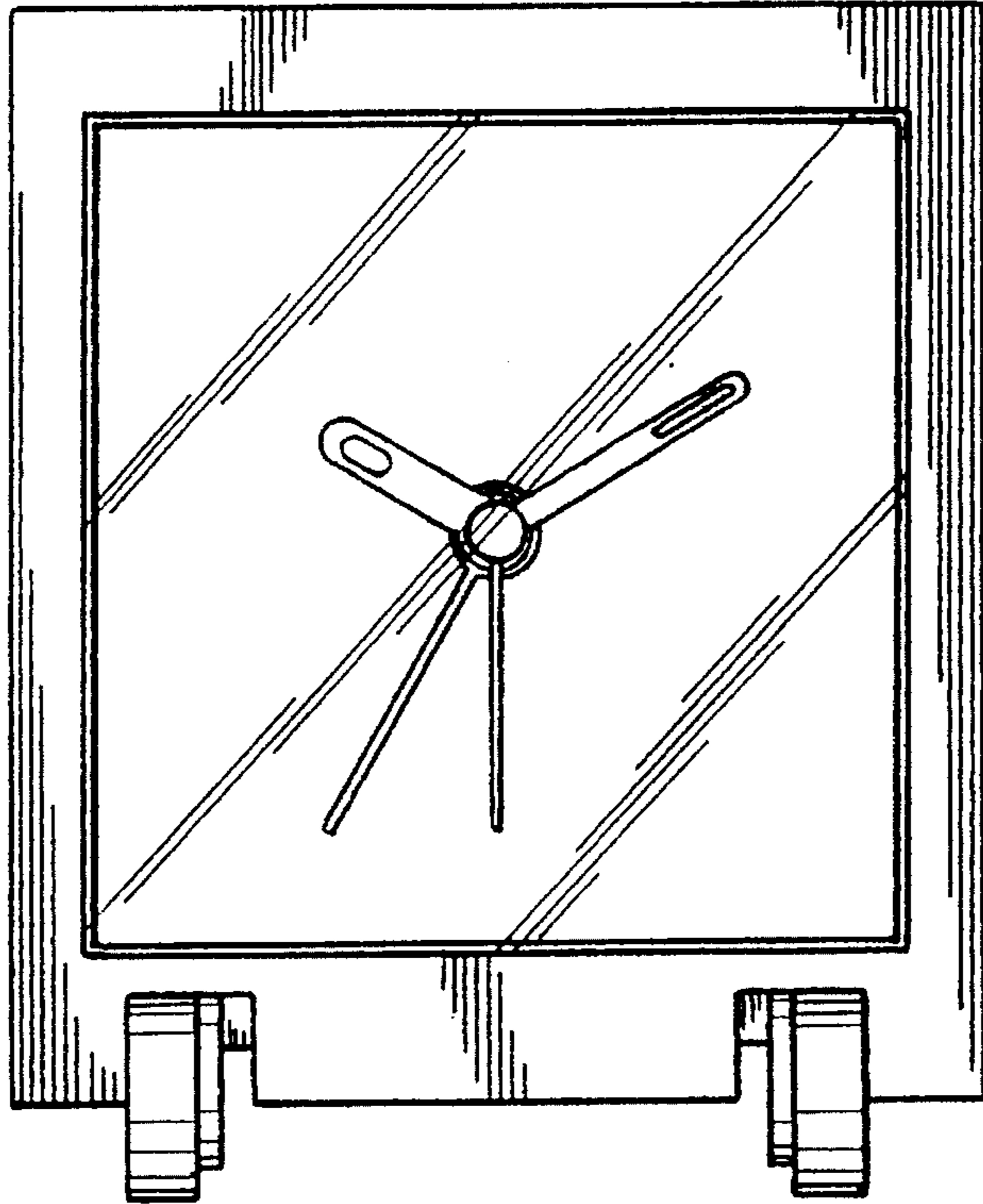


FIG. 2

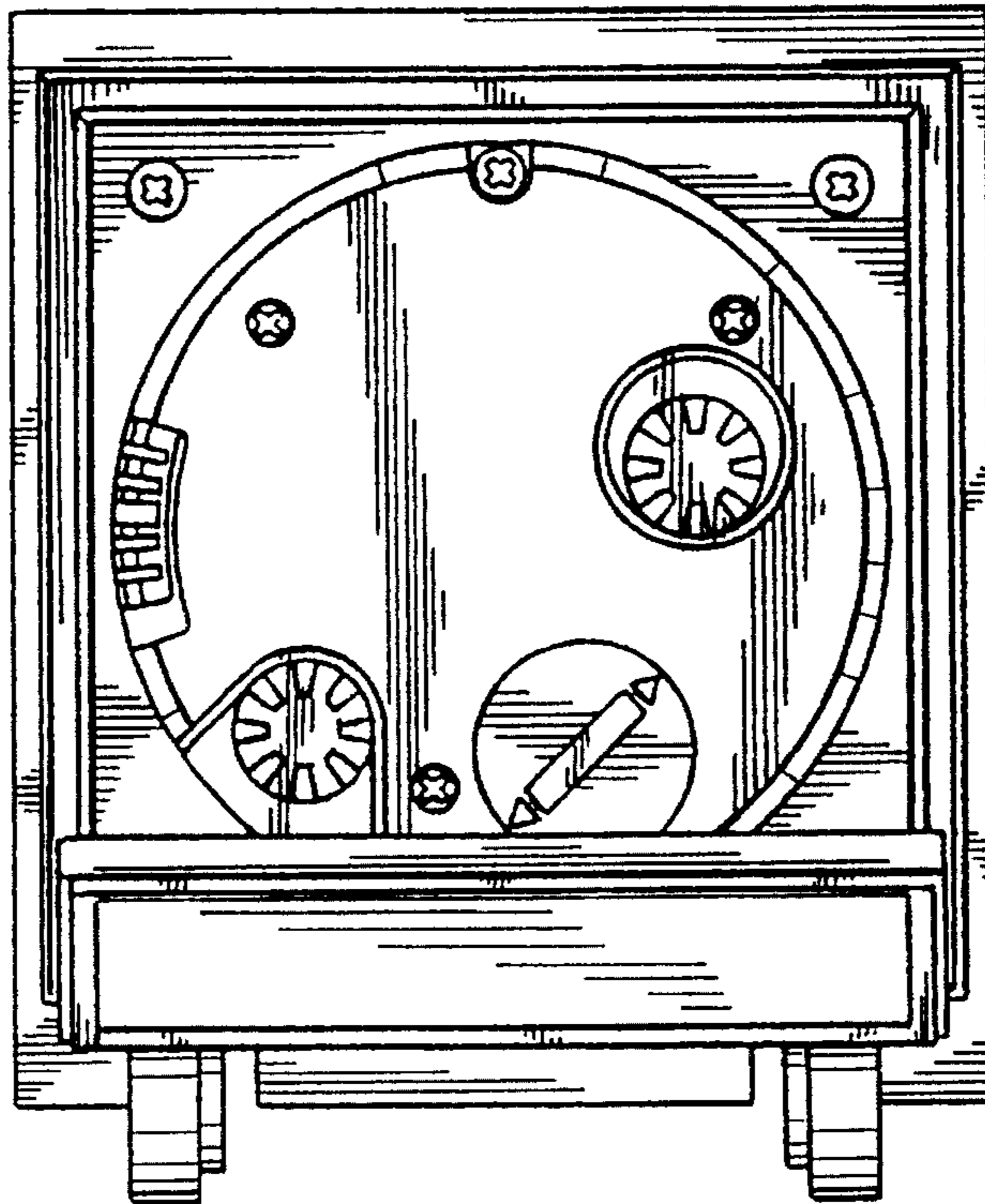


FIG. 3

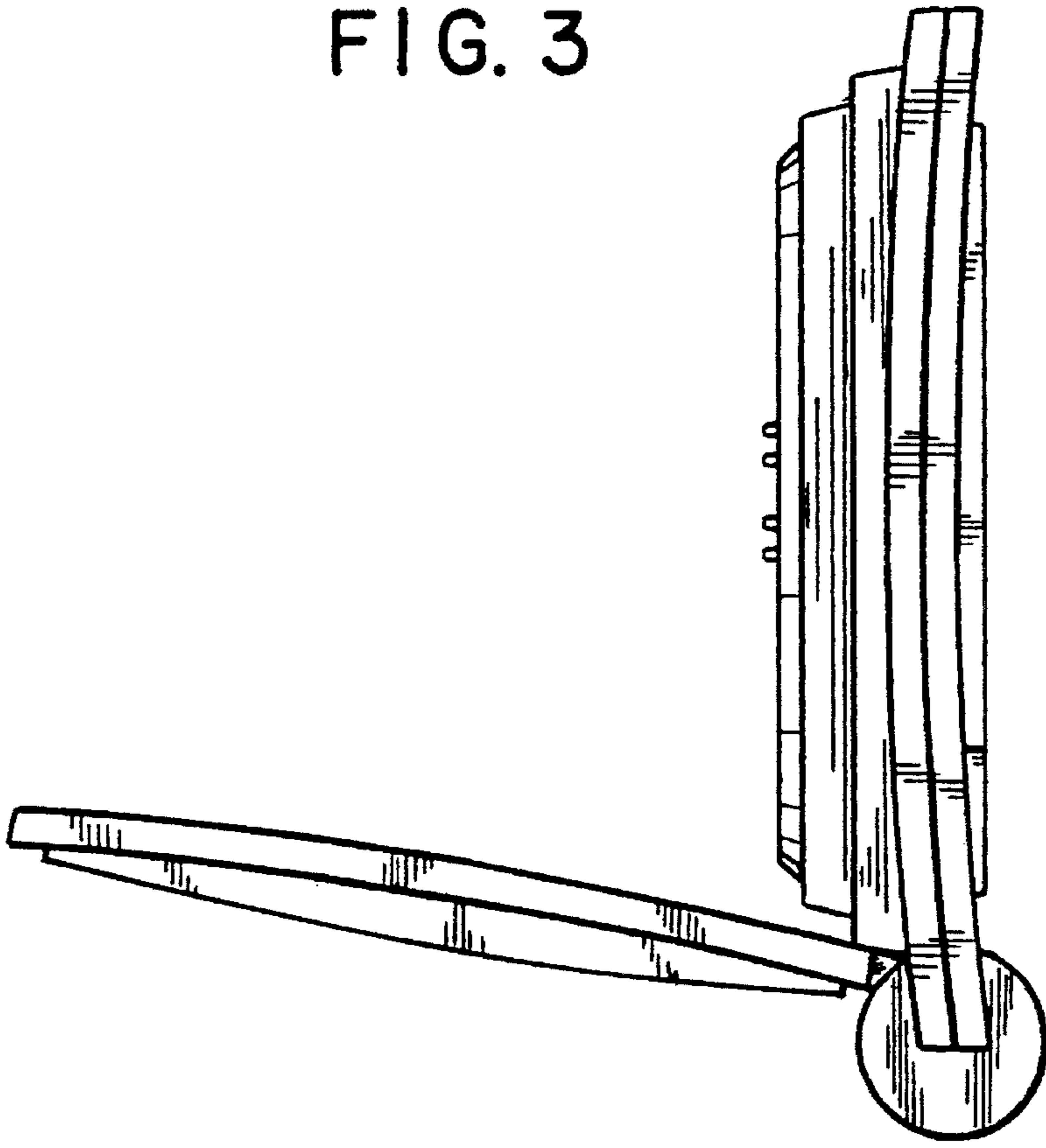


FIG. 4

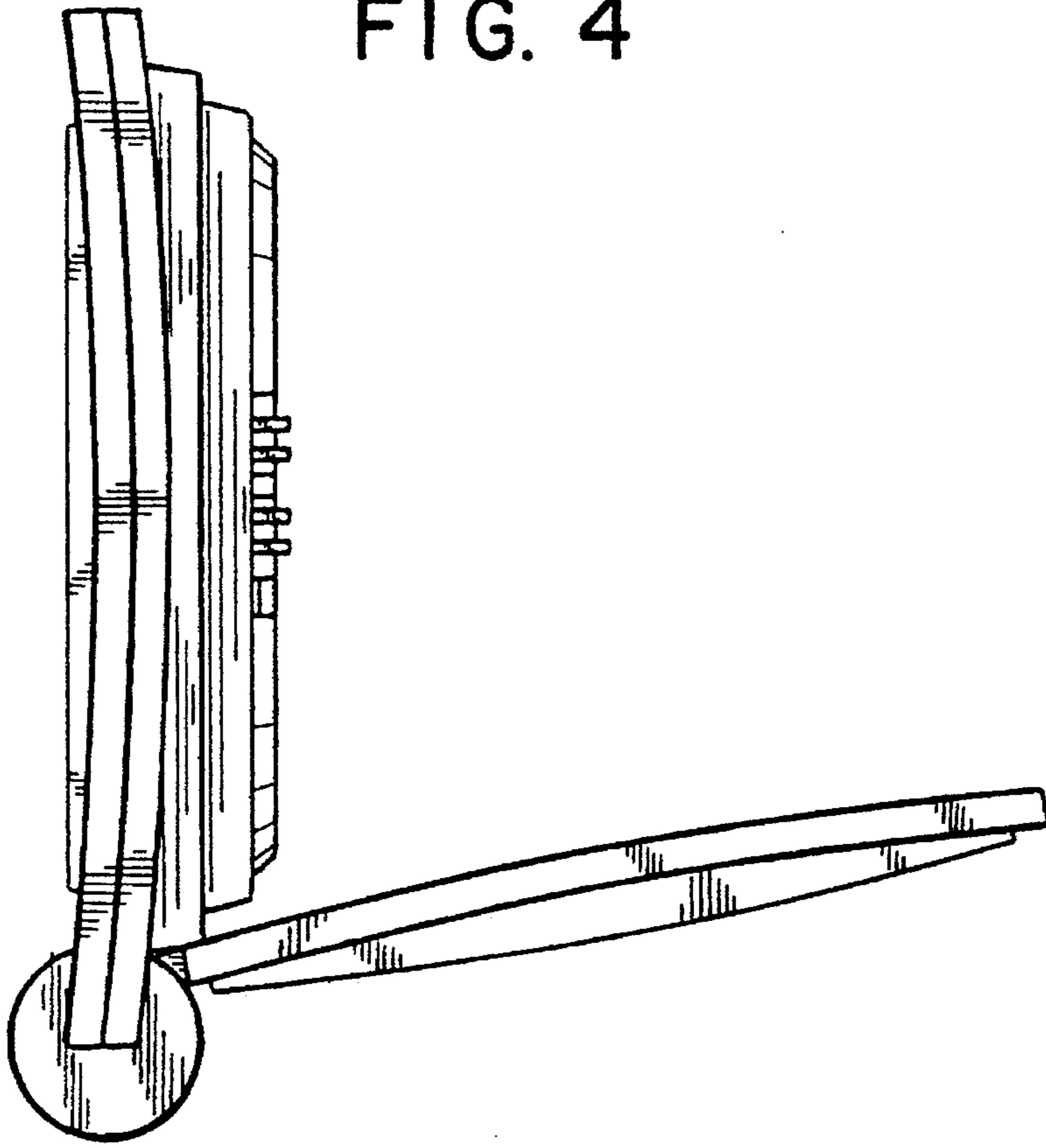


FIG. 5

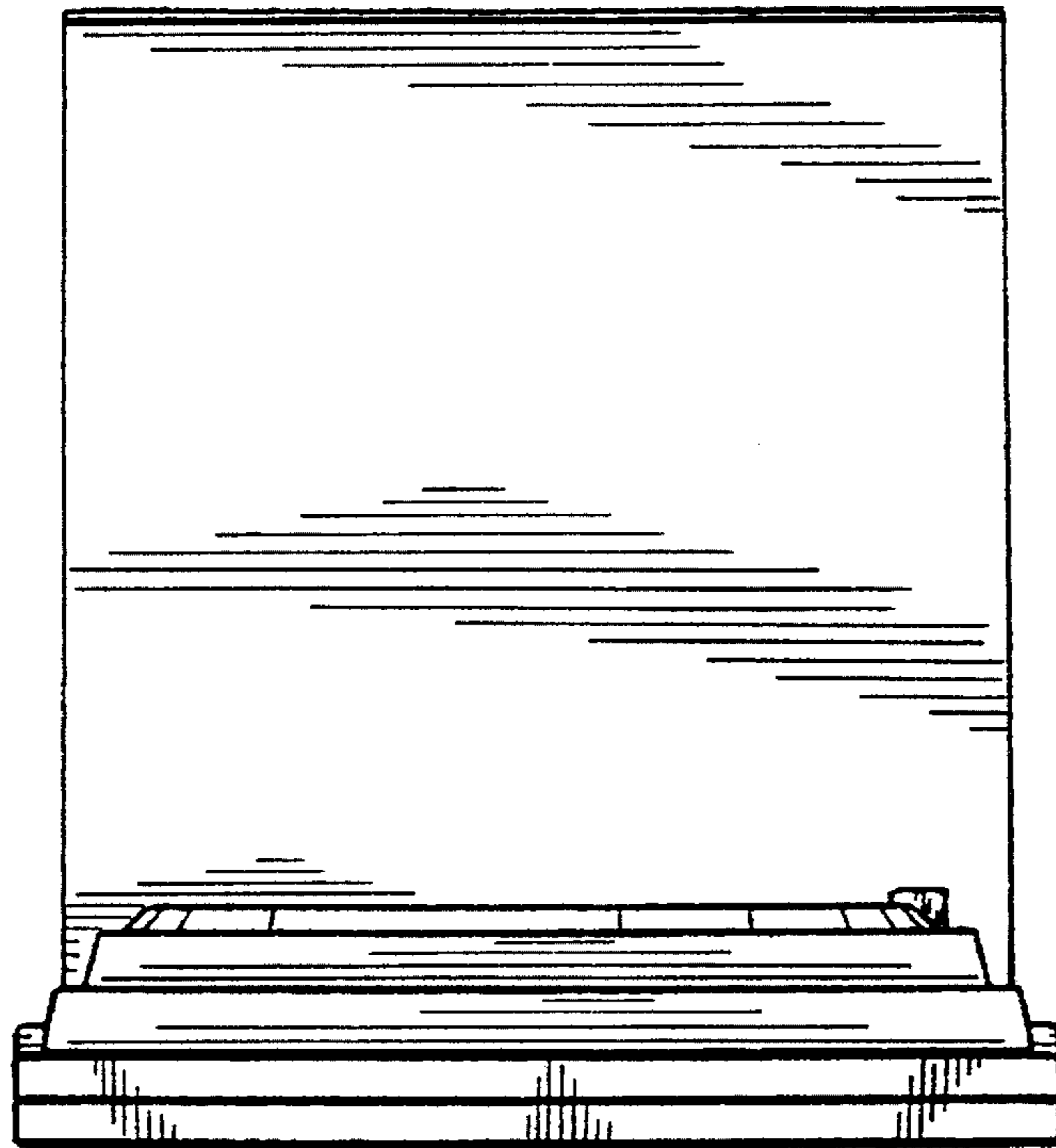


FIG. 6

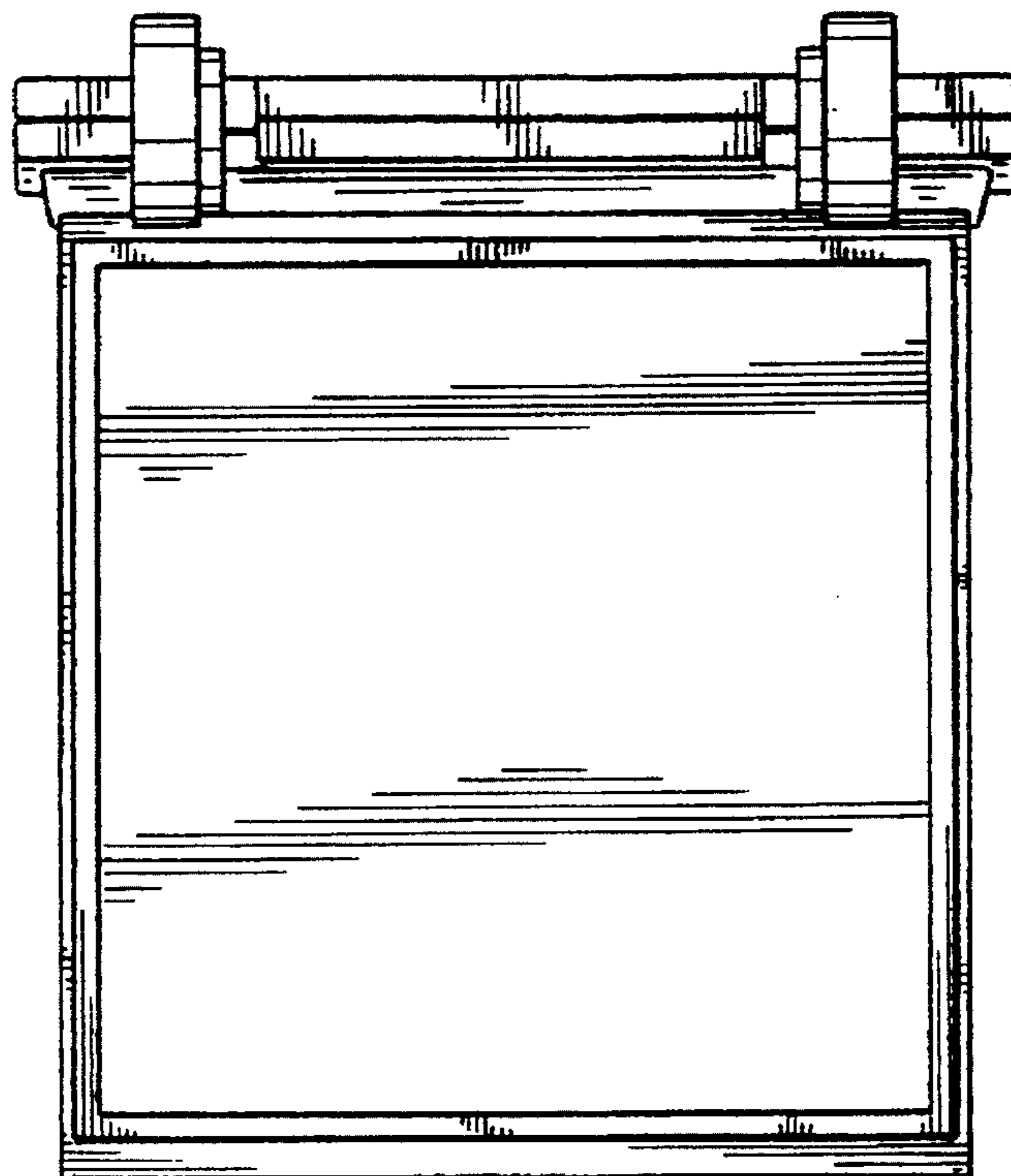




FIG. 7

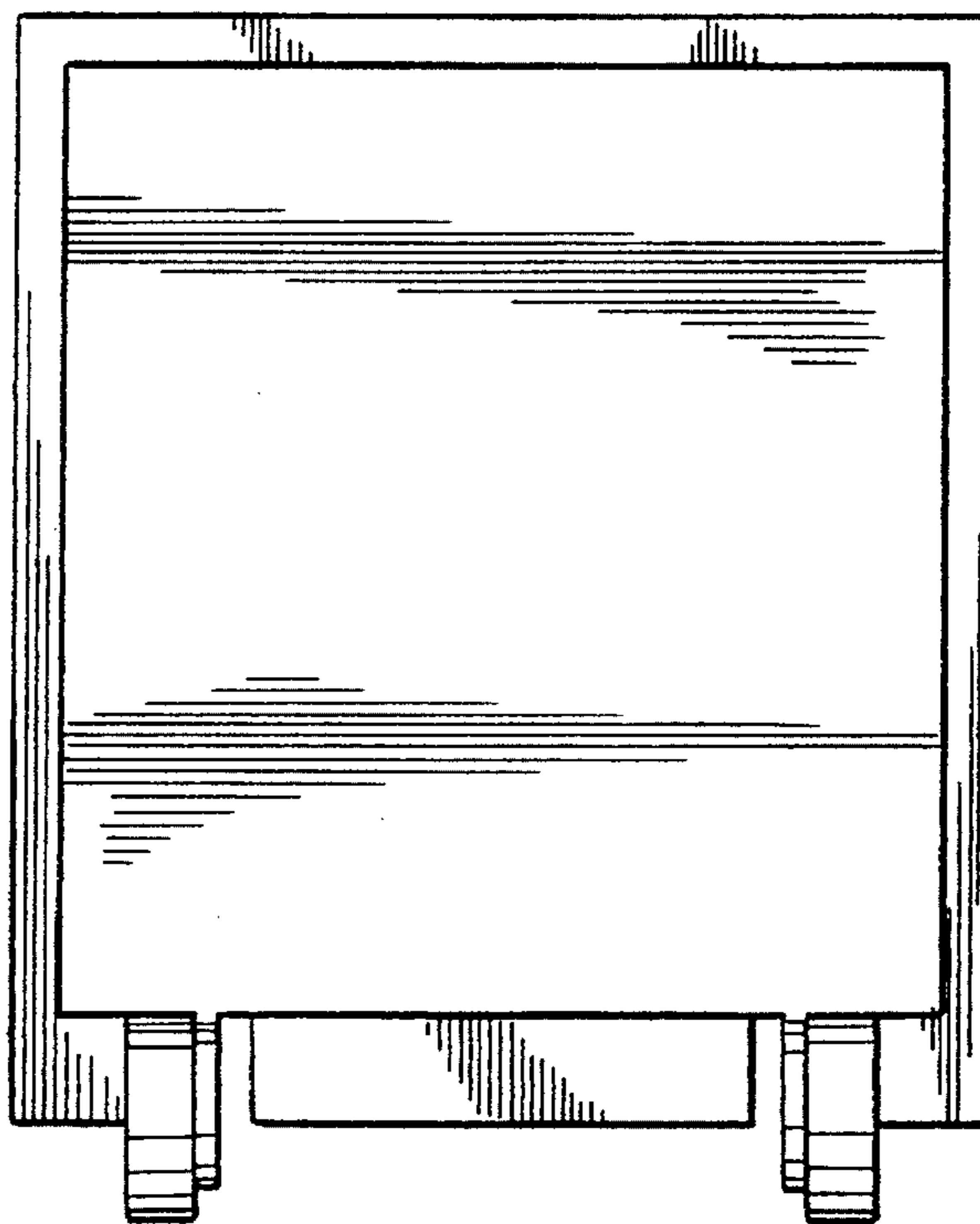


FIG. 8

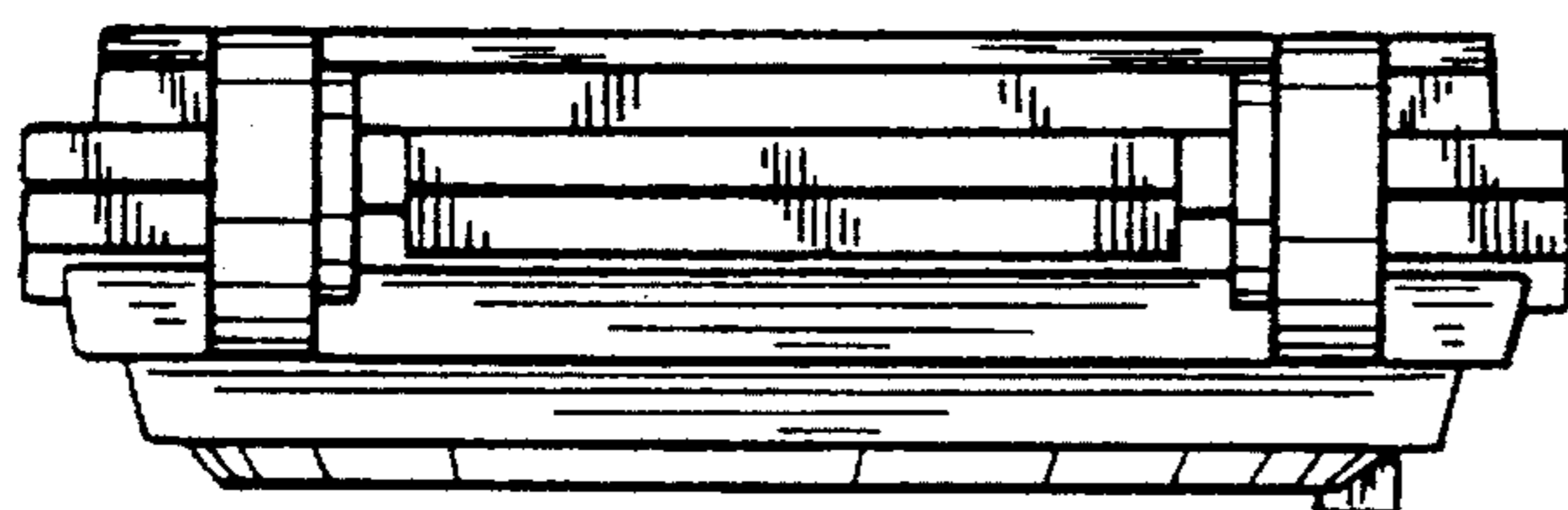


FIG. 9

