



US00D363228S

United States Patent [19]
Healey

[11] **Patent Number: Des. 363,228**
[45] **Date of Patent: **Oct. 17, 1995**

[54] **DIGITAL ALARM CLOCK**

[75] Inventor: **Clifton W. Healey**, Birmingham, Mich.

[73] Assignee: **Advance Watch Company**, Southfield, Mich.

[**] Term: **14 Years**

[21] Appl. No.: **26,875**

[22] Filed: **Aug. 8, 1994**

[52] U.S. Cl. **D10/15; D10/24; D10/171**

[58] **Field of Search** D10/1-40; D14/122-132,
D14/170-171; 368/82-84, 239-242, 276-277,
280-282, 285, 316-317

[56] **References Cited**

U.S. PATENT DOCUMENTS

D. 254,601	4/1980	Talesfore	D10/15
D. 258,221	2/1981	Shimasaki	D10/15
D. 270,522	9/1983	Cook	D10/15
D. 270,713	9/1983	Thaler	D10/15
D. 274,314	6/1984	Goodin	D10/15
D. 301,839	6/1989	Howlihan	D10/15
3,759,030	9/1973	Wakabayashi	D10/15

OTHER PUBLICATIONS

Jeweler's Circular-Keystone -Sep. 1984—p. 88—clock at top-left.

Primary Examiner—Nelson C. Holtje
Attorney, Agent, or Firm—Brooks & Kushman

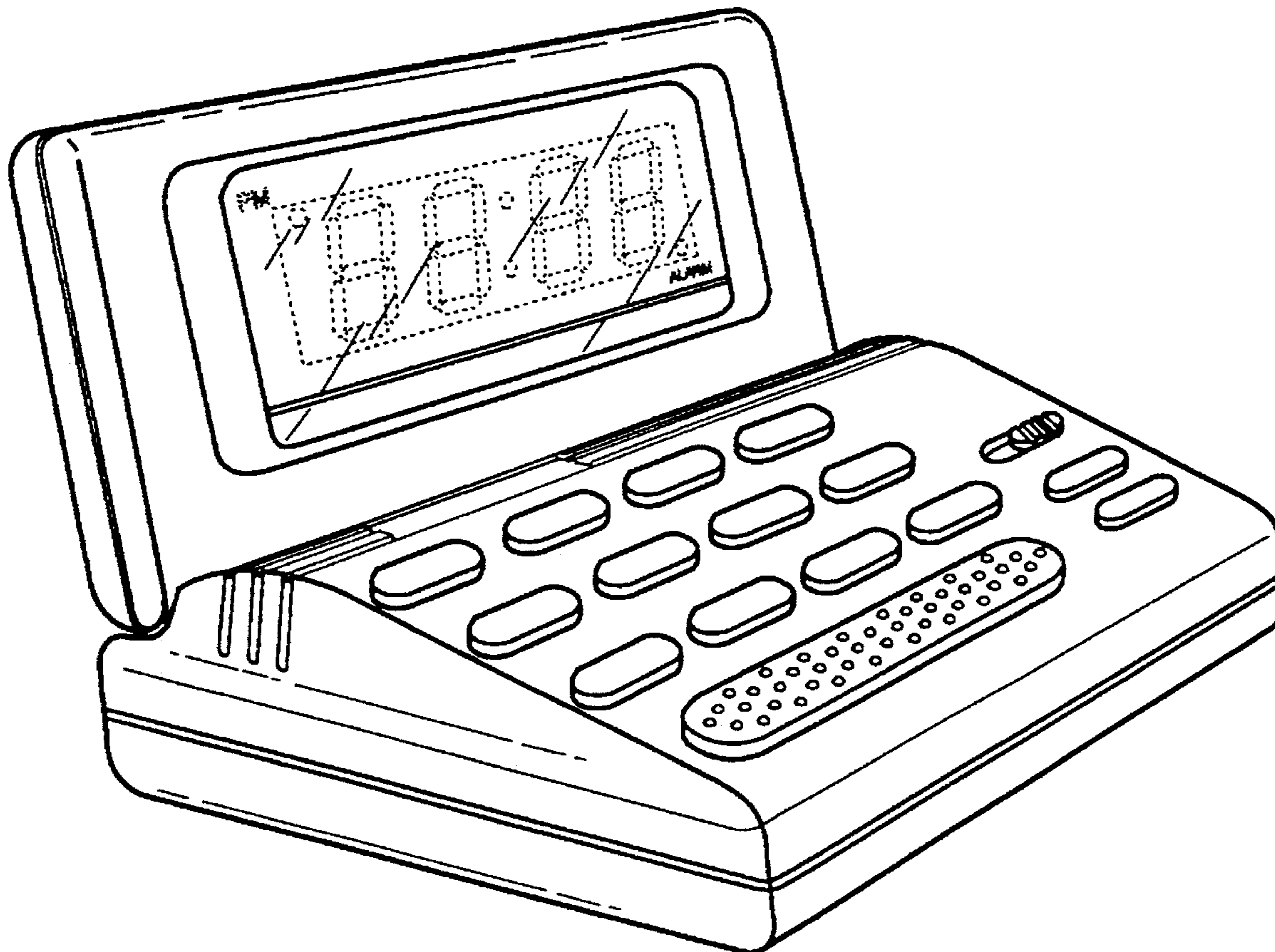
[57] **CLAIM**

An ornamental design for a digital alarm clock, as shown and described.

DESCRIPTION

FIG. 1 is a front elevational view of my new design; FIG. 2 is a rear elevational view; FIG. 3 is a top plan view; FIG. 4 is a bottom plan view; FIG. 5 is a left side elevational view; FIG. 6 is right side elevational view; FIG. 7 is a top and left front perspective view; and, FIG. 8 is a top and right front perspective view of the clock in an alternate position. The broken lines shown in the figures are for illustrative purposes only and form no part of the claimed design.

1 Claim, 5 Drawing Sheets



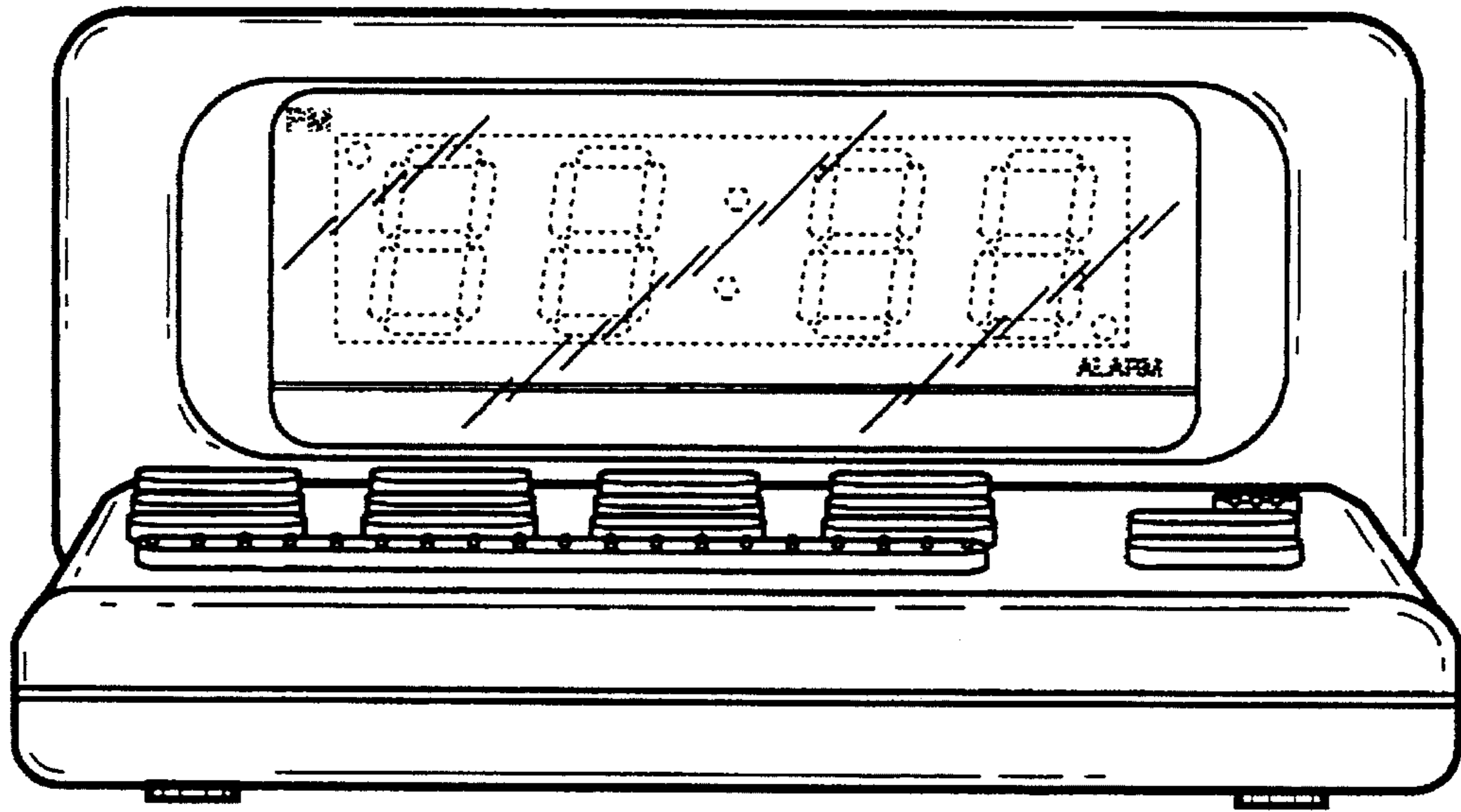


FIG. 1

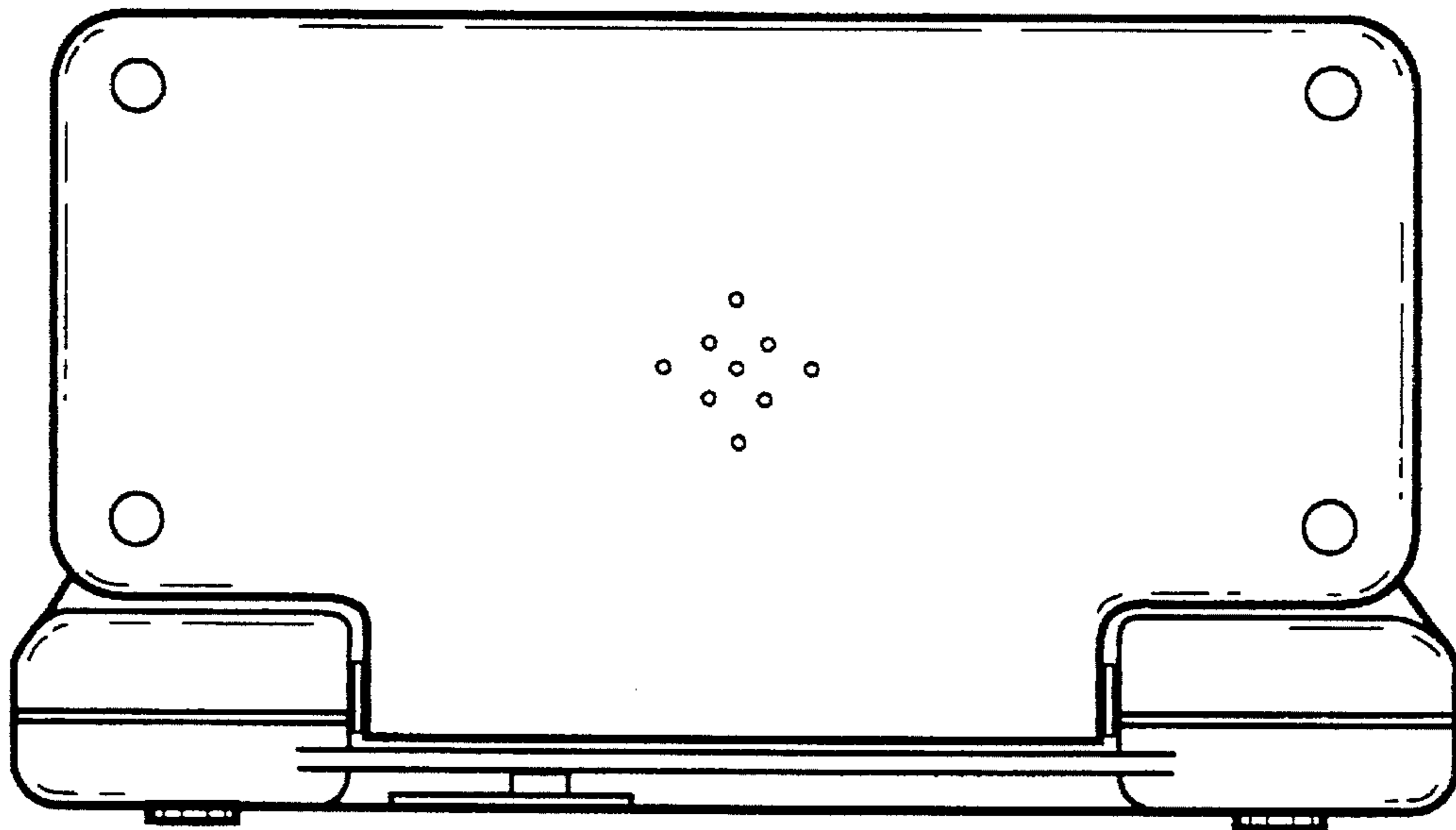


FIG. 2

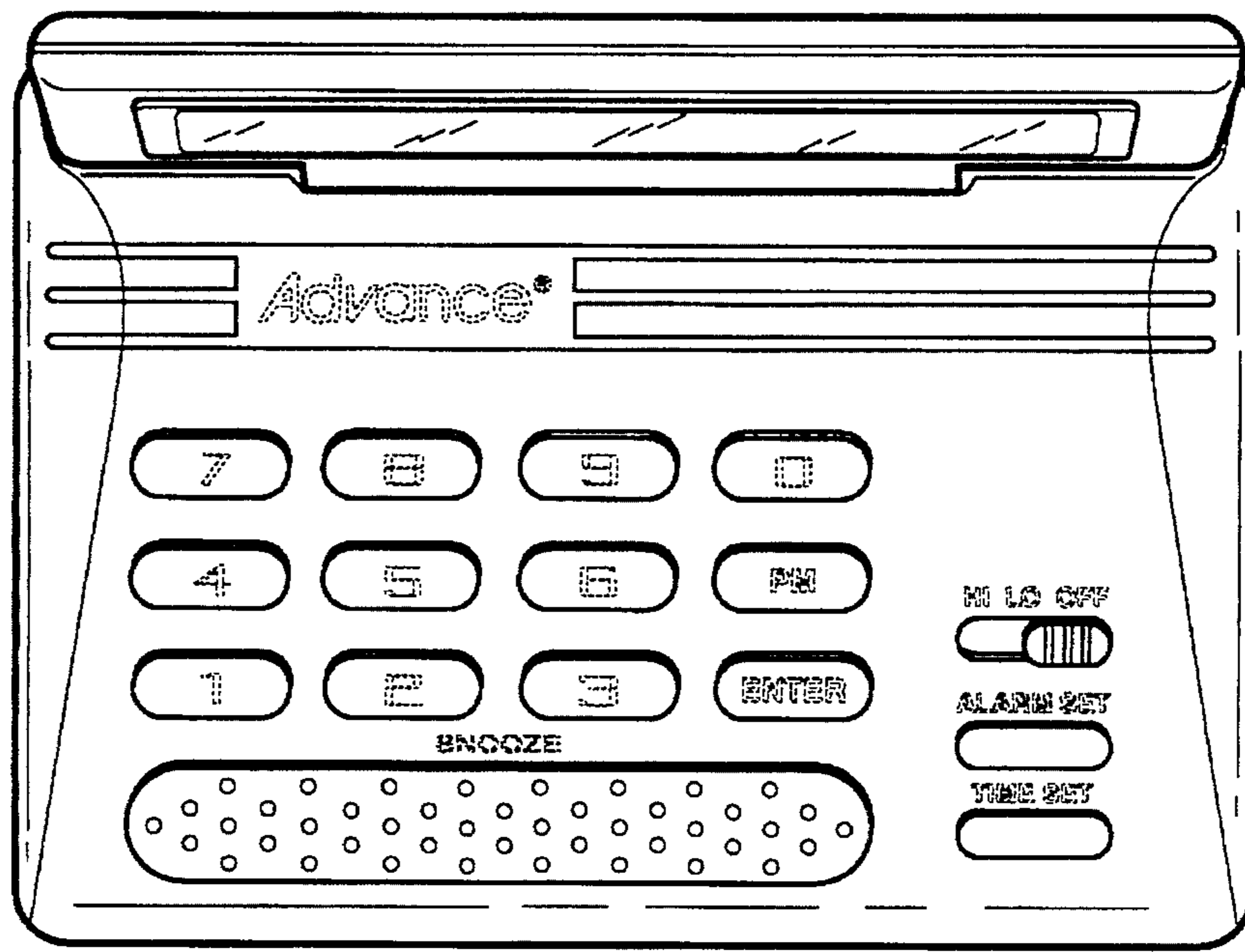


FIG. 3

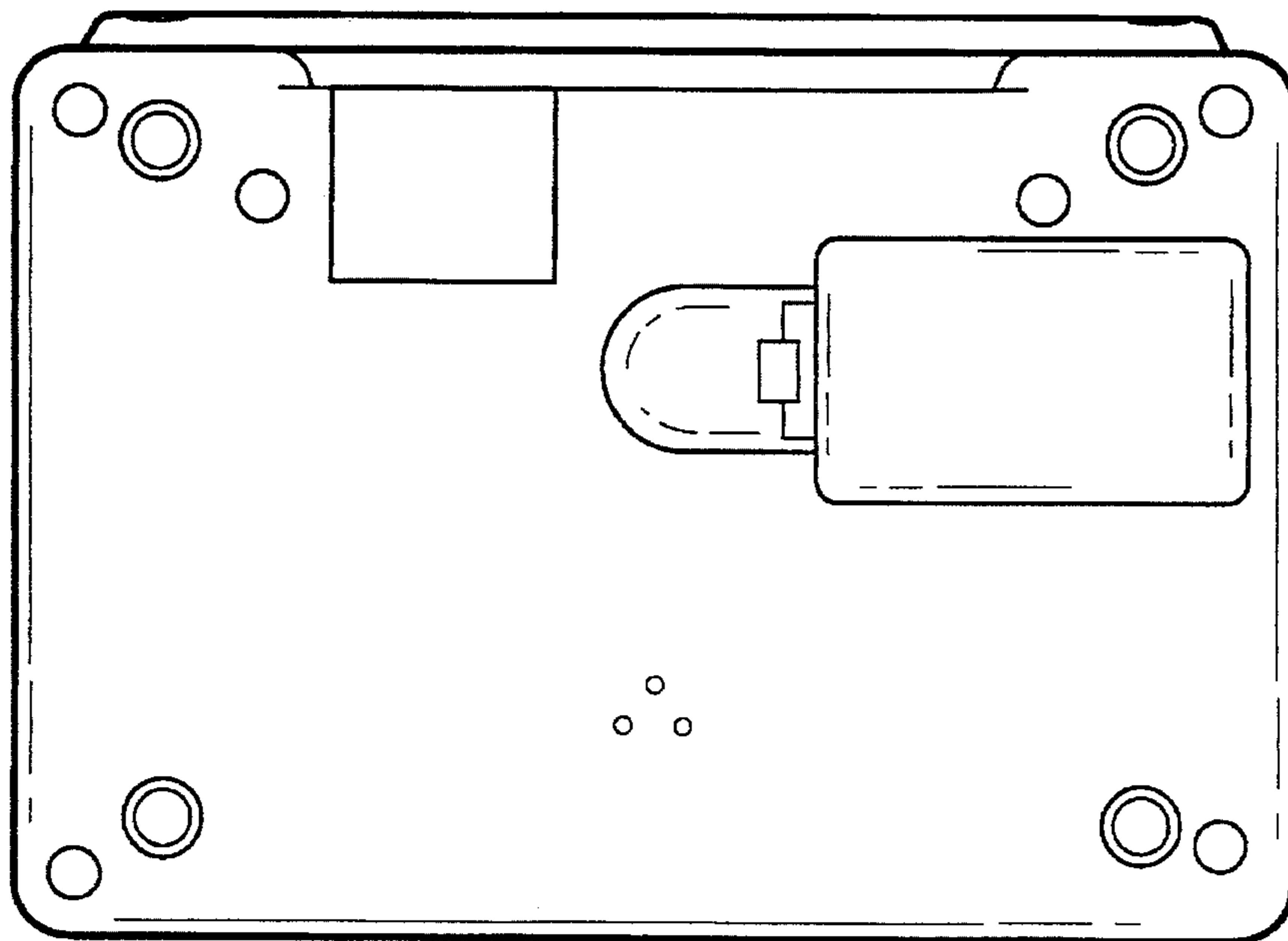


FIG. 4

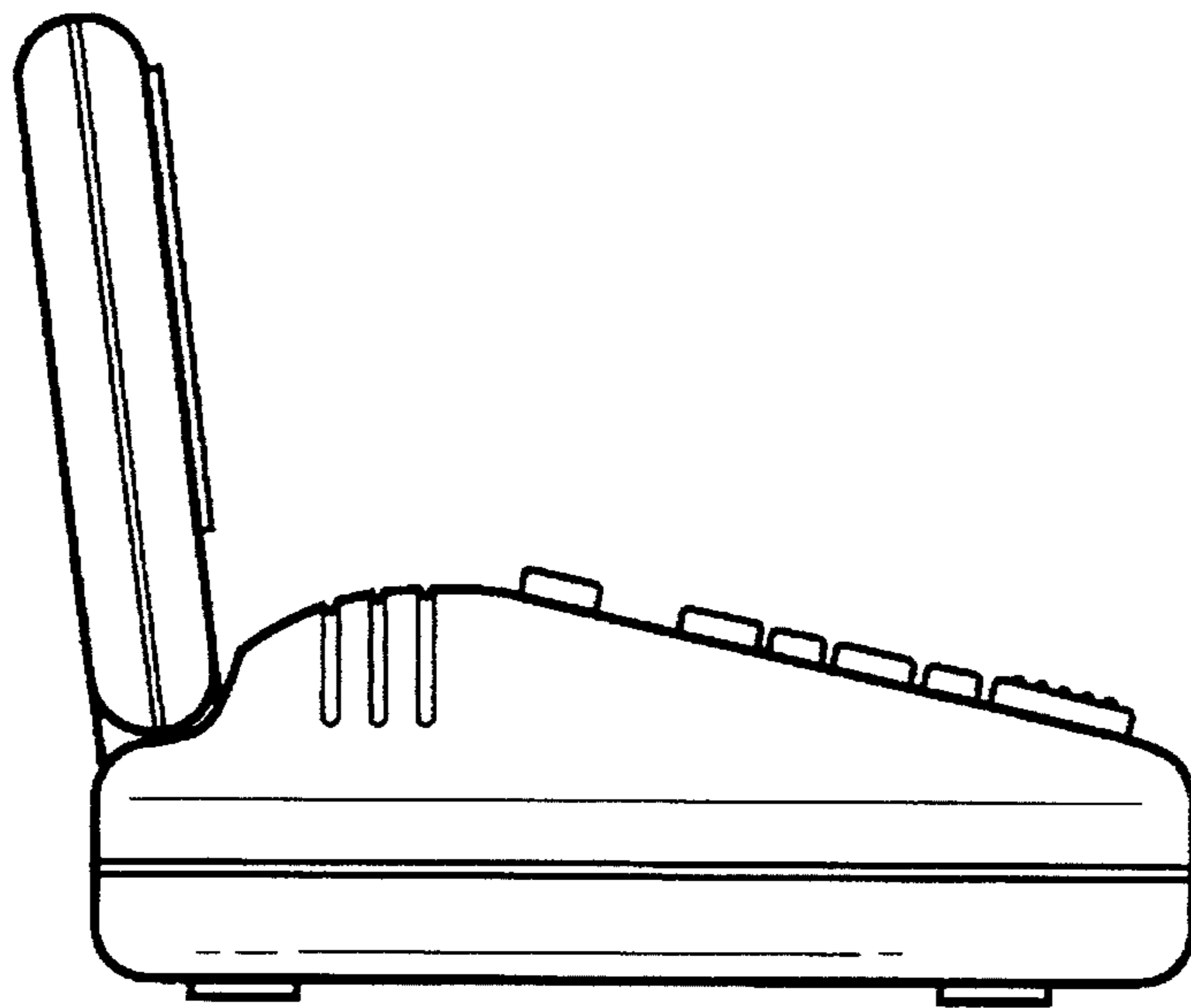


FIG. 5

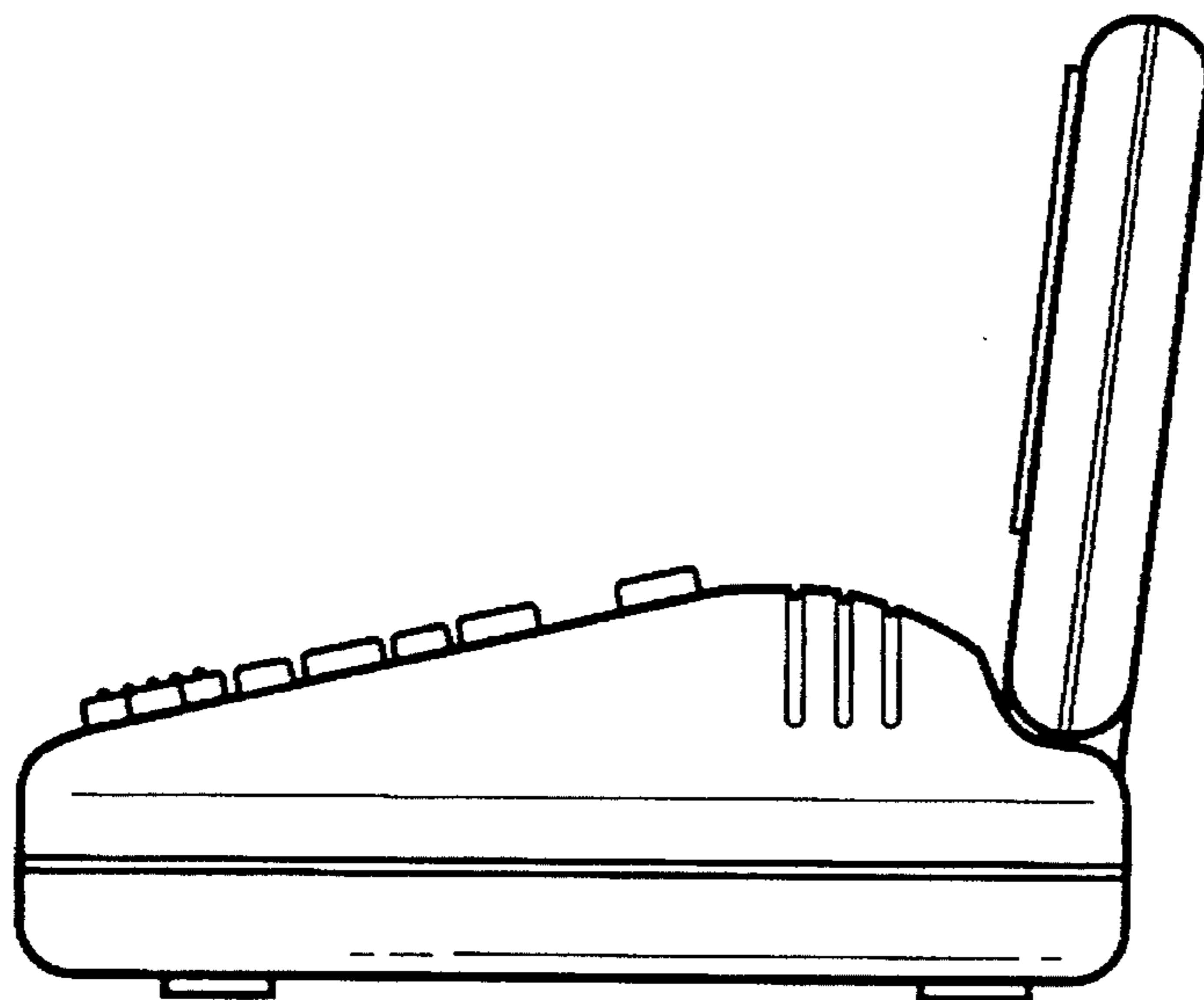


FIG. 6

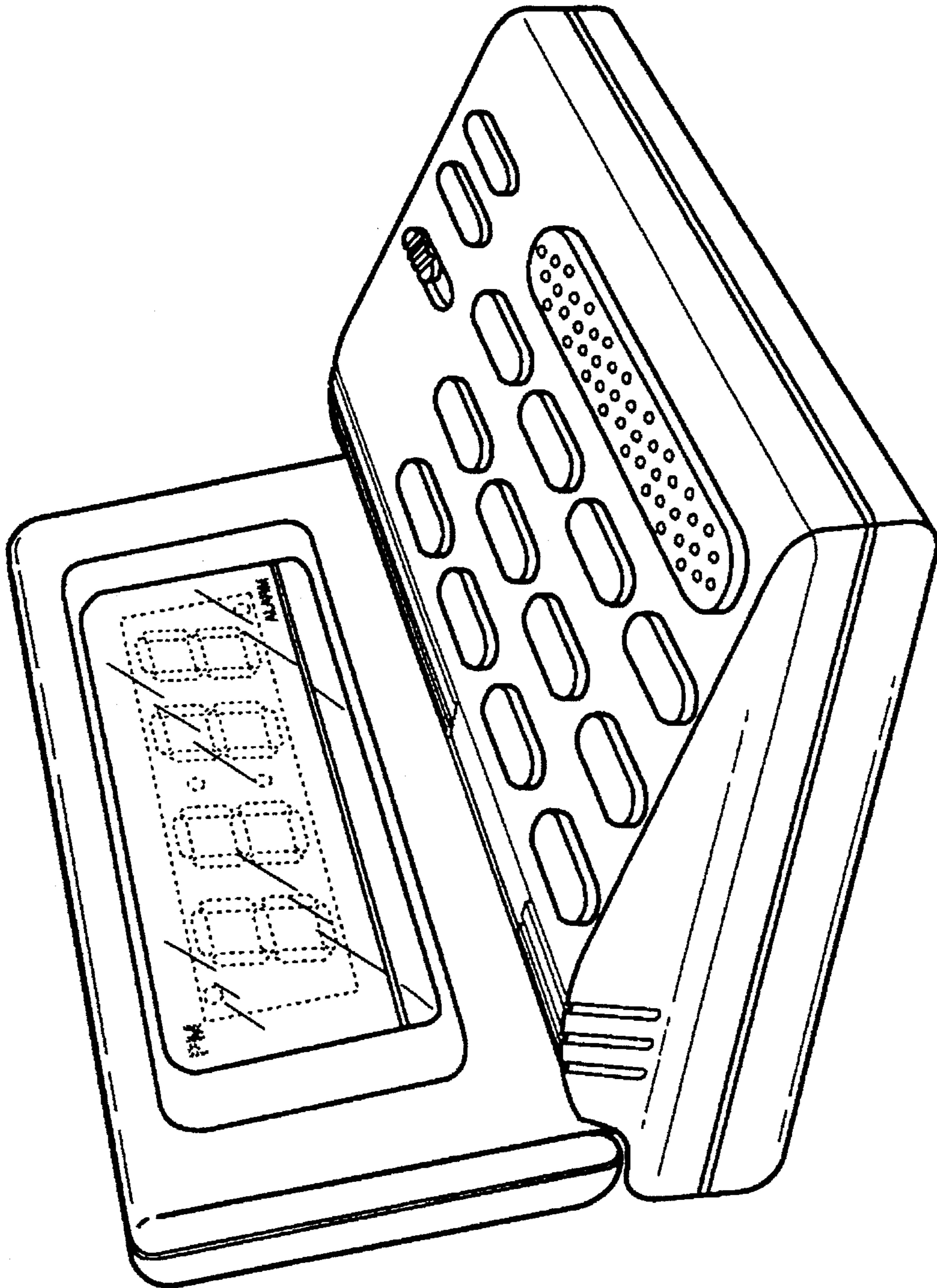


FIG. 7

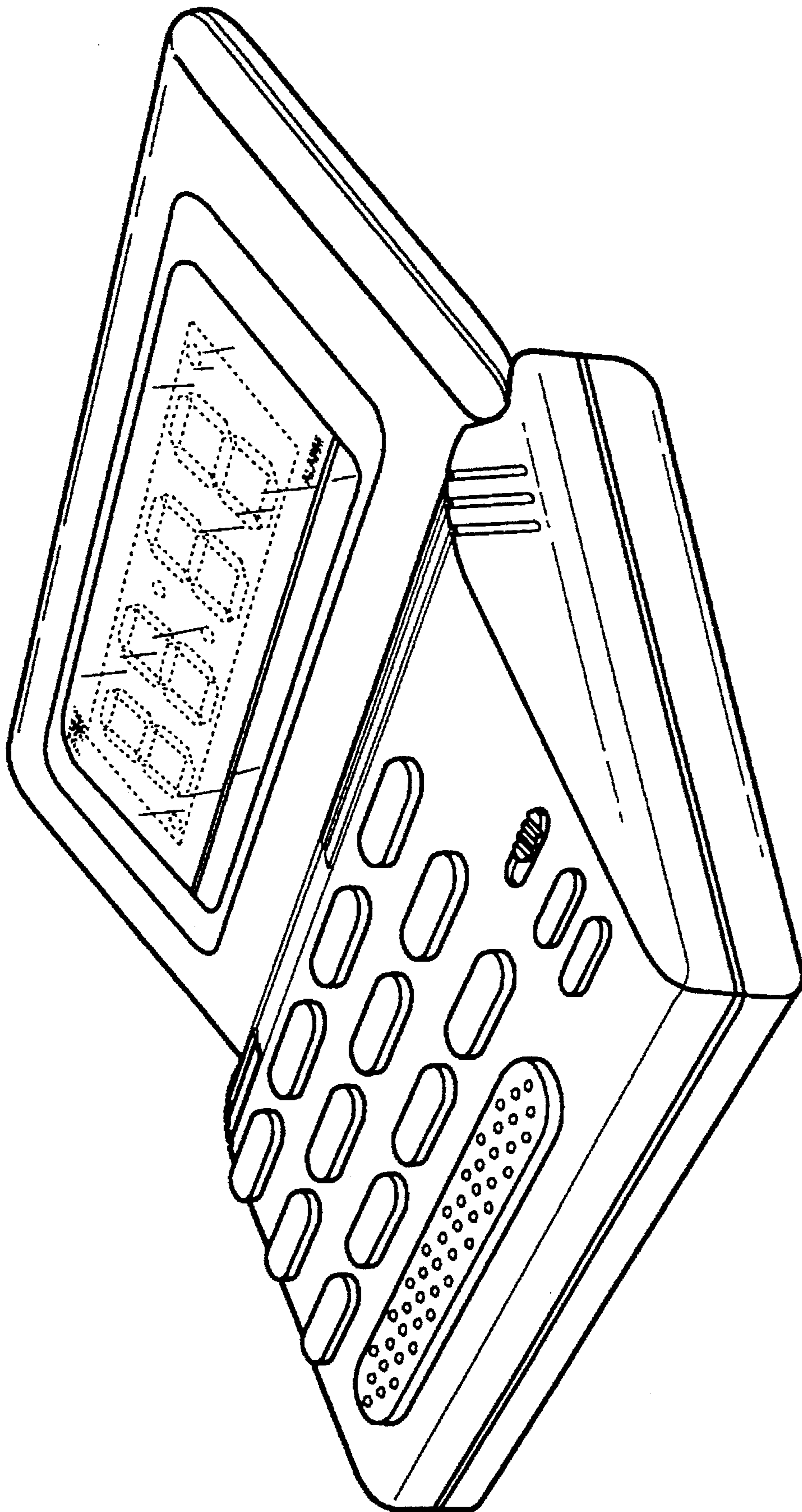


FIG. 8