



US00D363222S

United States Patent [19] Lay

[11] Patent Number: **Des. 363,222**

[45] Date of Patent: ****Oct. 17, 1995**

[54] **DISPENSING CLOSURE FOR A CONTAINER**

[75] Inventor: **Dieter Lay**, Oconomowoc, Wis.

[73] Assignee: **AptarGroup, Inc.**, Crystal Lake, Ill.

[**] Term: **14 Years**

[21] Appl. No.: **15,573**

[22] Filed: **Nov. 22, 1993**

[52] U.S. Cl. **D9/447; D9/449**

[58] Field of Search D9/434-440, 444-449,
D9/452-454, 450, 504; 215/201, 224, 235-236;
220/306, 915; 222/182, 204, 209, 320,
335, 372, 382-383, 400.5, 405, 416, 470,
478, 460, 575

[56] **References Cited**

U.S. PATENT DOCUMENTS

D. 263,123	2/1982	Hadtko et al.	D9/445
D. 273,940	5/1984	Soos et al. .	
D. 280,548	9/1985	Cramer	D9/439
D. 292,889	11/1987	Ostrowsky	D9/447
D. 295,831	5/1988	Urion	D9/438
D. 317,121	5/1991	Crawford et al.	D9/447
D. 317,869	7/1991	Kipperman et al.	D9/435
D. 322,756	12/1991	Kipperman et al.	D9/446
D. 325,164	4/1992	Cann et al.	D9/447
D. 328,246	7/1992	Nottingham et al. .	
D. 336,852	6/1993	Pritchard	D9/447
D. 338,830	8/1993	Leoncavallo et al.	D9/447
D. 343,358	1/1994	Lay et al.	D9/449
D. 348,221	6/1994	Hirst et al.	D9/435
D. 352,663	11/1994	Suxdorf	D9/449
5,038,957	8/1991	Gross .	
5,123,561	5/1992	Gross .	
5,201,440	4/1993	Gross .	

OTHER PUBLICATIONS

U.S. patent application Ser. No. 29/005,757, filed Mar. 11, 1993.

U.S. patent application Ser. No. 07/900,247 filed Jun. 17, 1992.

Andrew Jergens Lotion.

Procter & Gamble Rejoy.

Seaquist Closures ("Eurostyle").

Helene Curtis Vibrance.

Chesebrough-Ponds VICL.

Wella Balsam.

Seaquist Closures ("SimpliSqueeze").

Primary Examiner—Alan P. Douglas

Assistant Examiner—Robert M. Spear

Attorney, Agent, or Firm—Dressler, Goldsmith, Shore & Milnamow, Ltd.

[57] **CLAIM**

The ornamental design for a dispensing closure for a container, as shown and described.

DESCRIPTION

FIG. 1 is a rear, perspective view of a dispensing closure for a container showing my new design;

FIG. 2 is a rear elevational view thereof;

FIG. 3 is a right side elevational view thereof, the left side elevational view being a mirror image thereof;

FIG. 4 is a front elevational view thereof;

FIG. 5 is a top plan view thereof, the bottom being unornamented; and,

FIG. 6 is a front, perspective view thereof with the spout open.

1 Claim, 2 Drawing Sheets

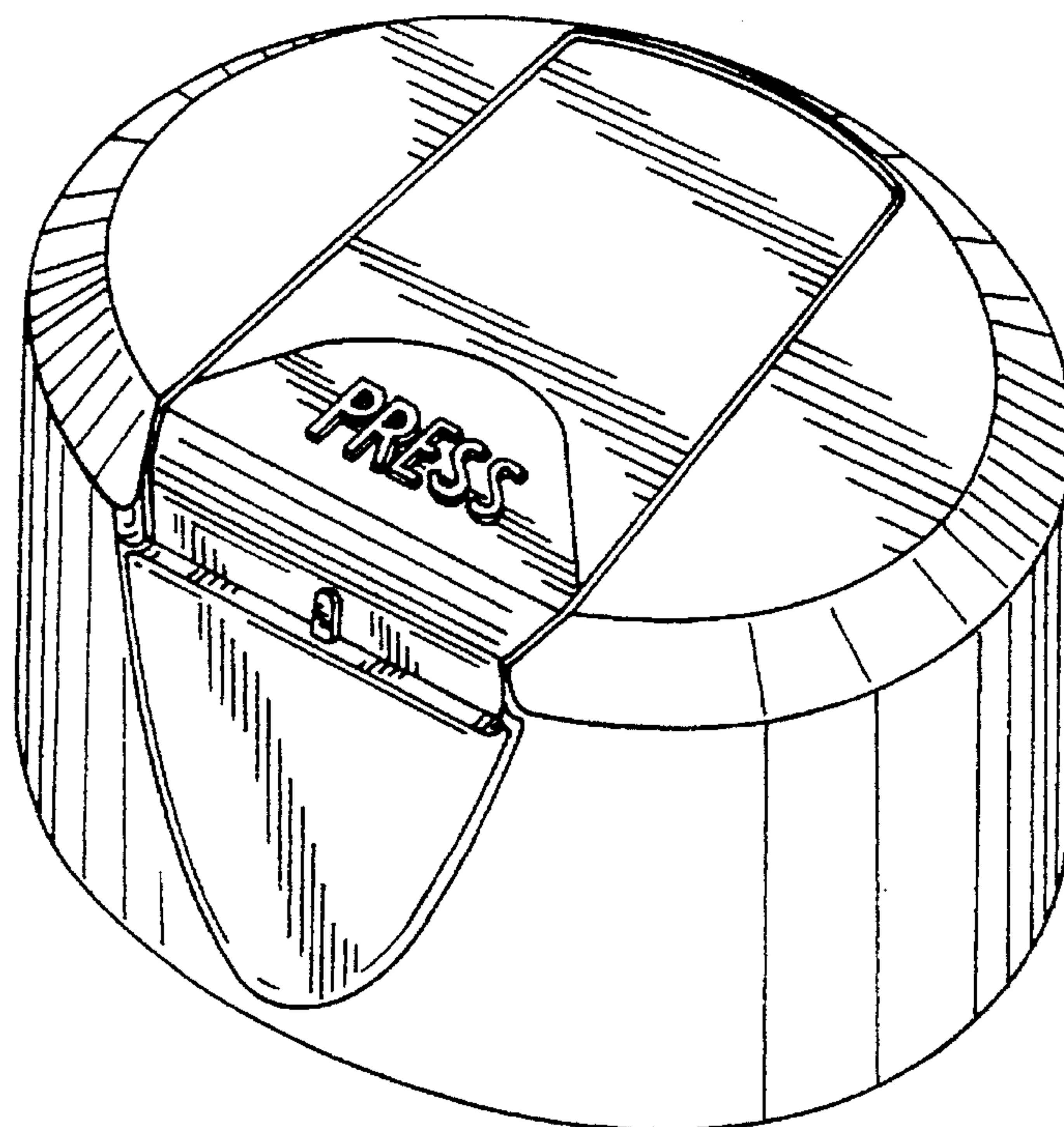


FIG. 1

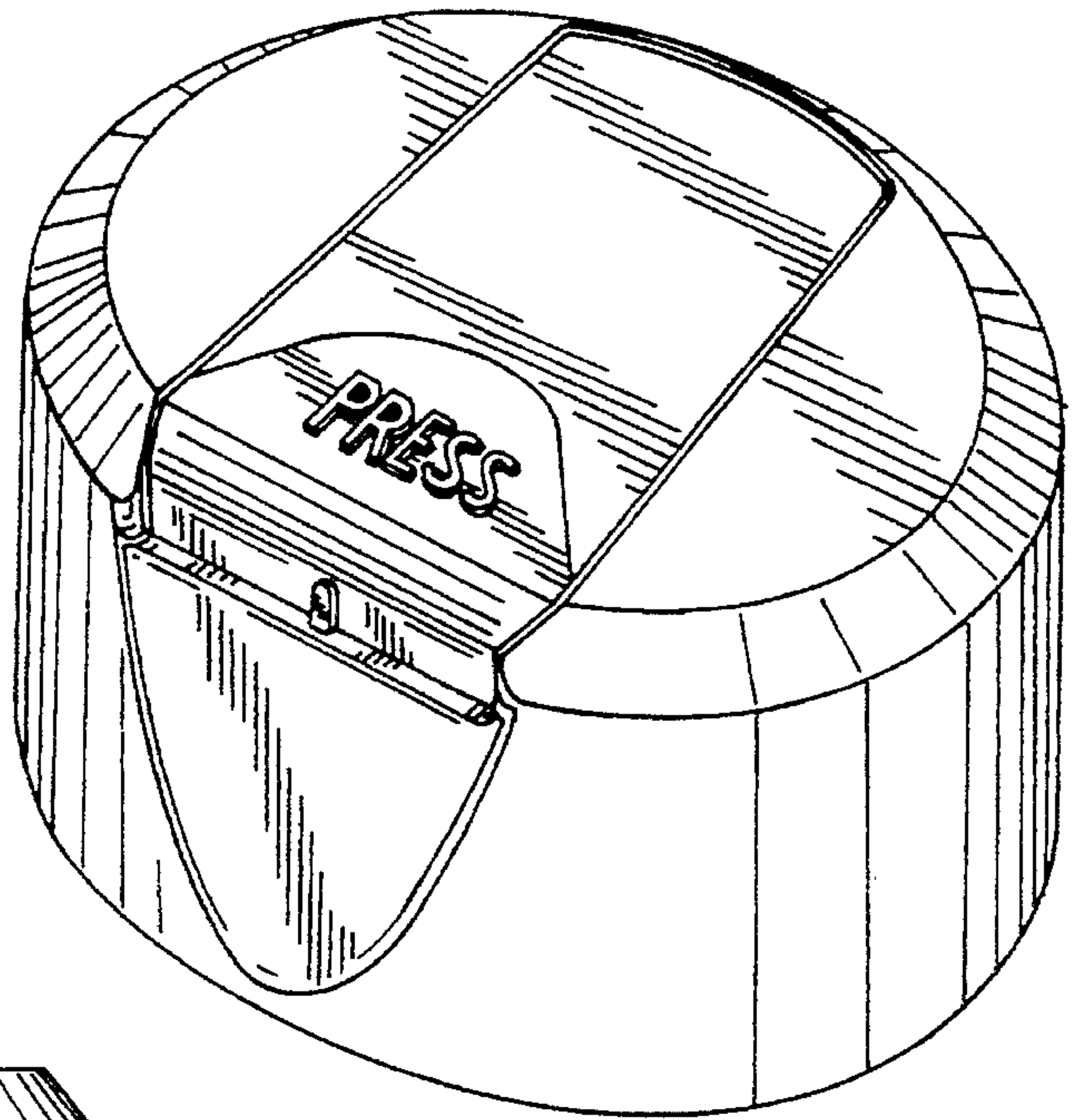


FIG. 2

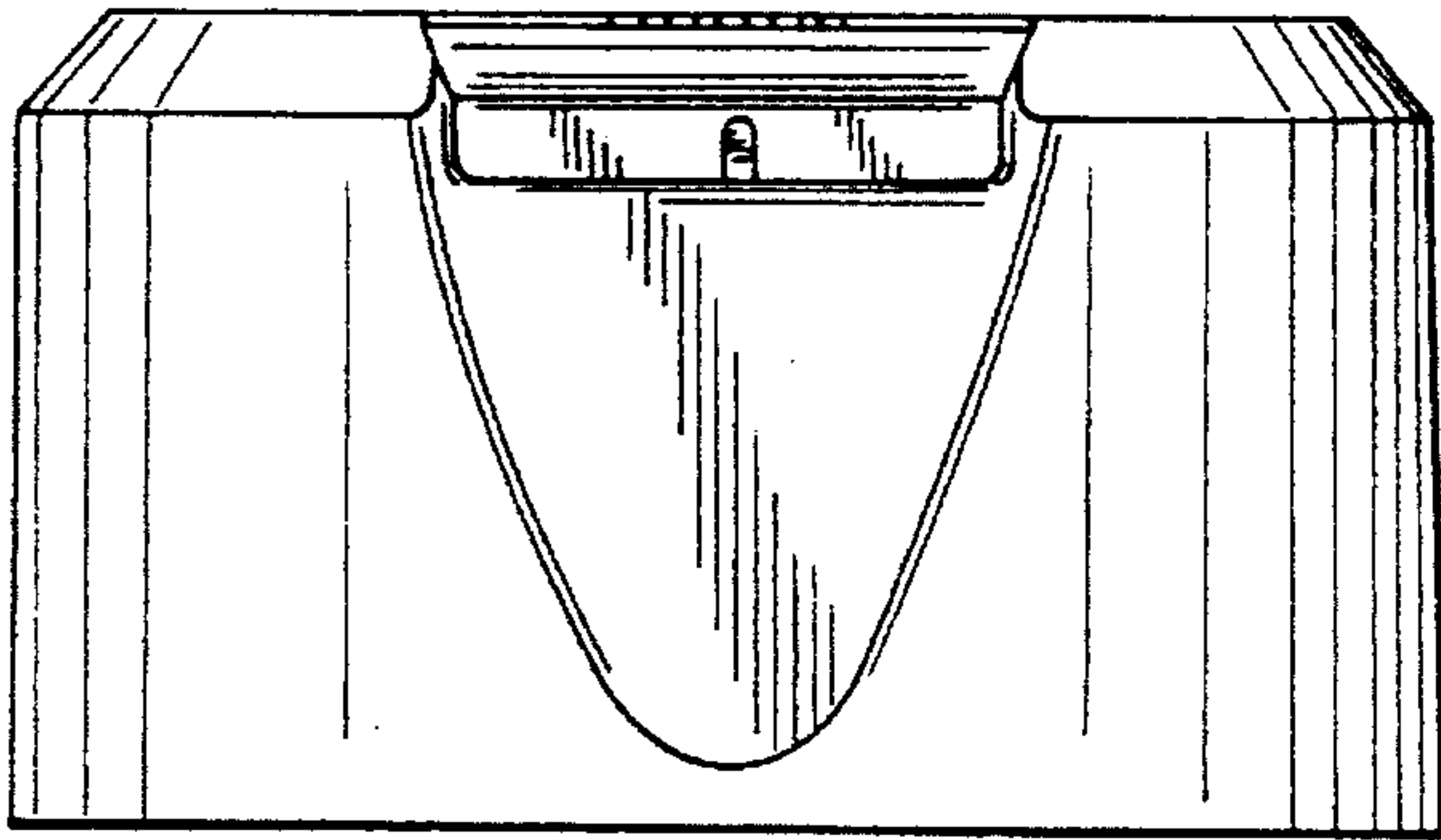


FIG. 3

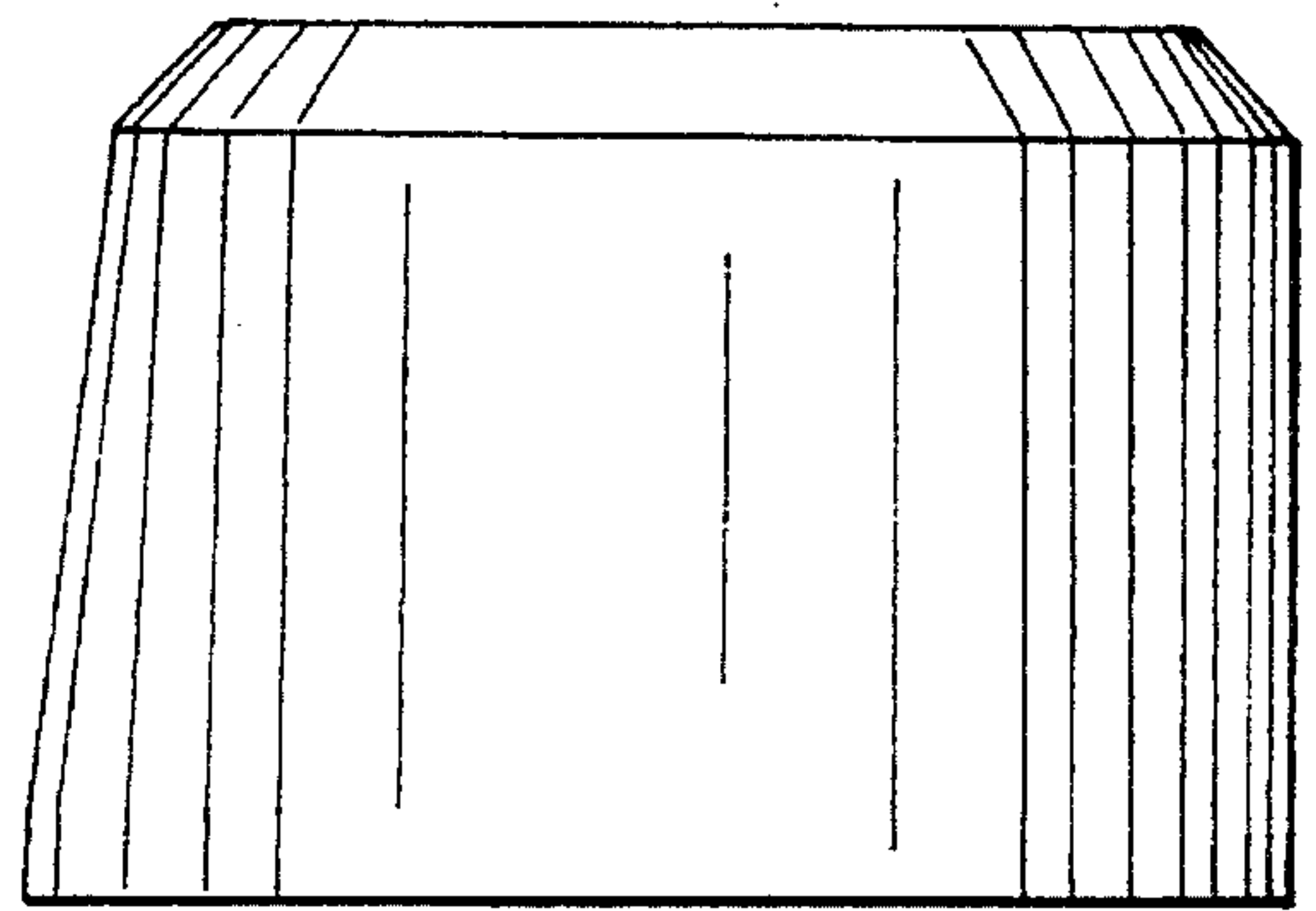


FIG. 4

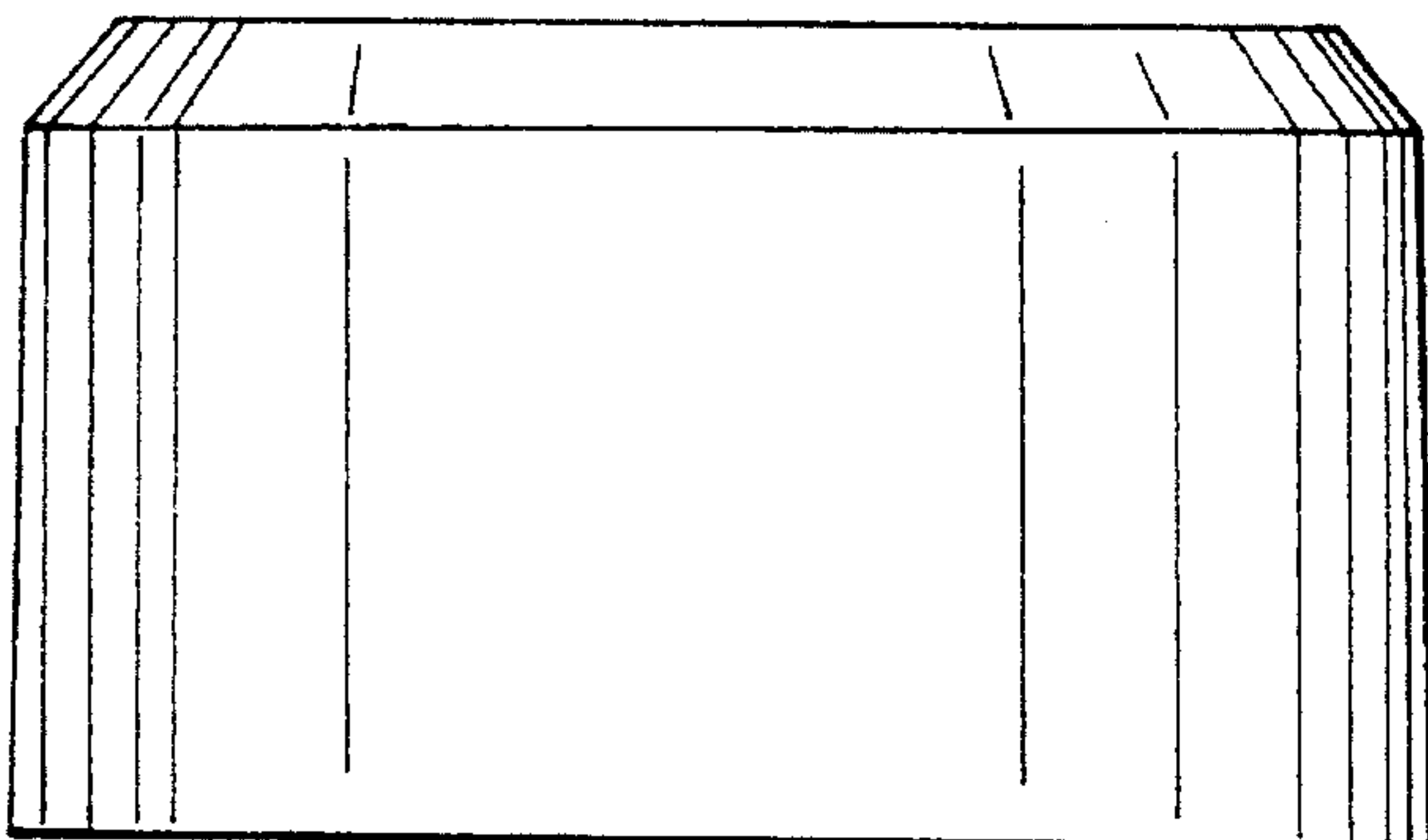


FIG. 5

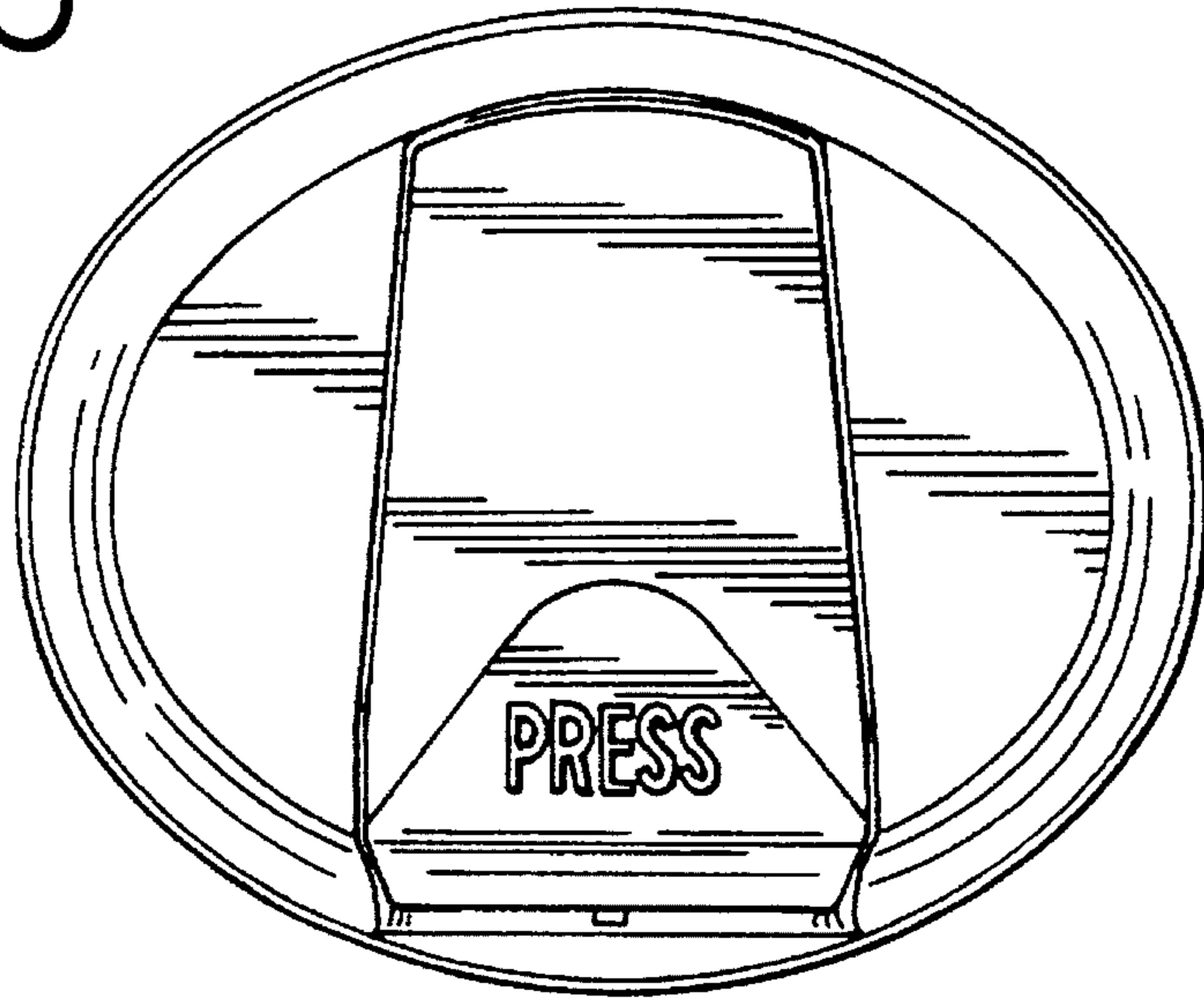


FIG. 6

