



US00D363220S

United States Patent [19]
Charbonneau et al.

[11] **Patent Number: Des. 363,220**
[45] **Date of Patent: **Oct. 17, 1995**

[54] **COMBINED BOTTLE CAP AND PIPETTE**

[76] Inventors: **Guy L. Charbonneau**, 654 Merton St., Lambert, Quebec, Canada, J4P 2X3; **H. Alan Bowler**, 1200 Walden Circle #73, Mississauga, Ontario, Canada, L5J 4J9

[**] Term: **14 Years**

[21] Appl. No.: **10,775**

[22] Filed: **Jul. 19, 1993**

[52] U.S. Cl. **D9/436; D9/447**

[58] **Field of Search** D9/434-437, 439-440, D9/447, 499; D24/112, 115, 222; 206/531; 215/228, 355, DIG. 3; 222/549, 566

[56] **References Cited**

U.S. PATENT DOCUMENTS

D. 195,611	7/1963	Mitchell	D24/112
D. 297,046	8/1988	Dignam	D24/112
D. 316,901	5/1991	Walsh	D24/115
D. 335,175	4/1993	Sladek	D9/439
650,617	5/1900	Salomon	215/228
690,457	1/1902	Parker .	
707,873	8/1902	Spencer .	
1,223,971	4/1917	Harvey	215/228
1,425,456	8/1922	Dial	215/228
2,372,340	3/1945	Senyal .	
2,781,312	2/1957	Klumb et al. .	
2,869,724	1/1959	McDevitt .	
3,033,202	5/1962	Richter et al.	215/DIG. 3

3,093,274	6/1963	Galbierz	D9/447 X
3,335,917	8/1967	Knight .	
3,422,993	1/1969	Boehm et al. .	
3,543,964	12/1970	Schlossmacher	222/549
3,840,153	10/1974	Devlin .	
4,024,991	5/1977	Tyson et al. .	
4,695,379	9/1987	Nohren, Jr. et al. .	
4,938,389	7/1990	Rossi et al. .	
5,139,666	8/1992	Charbonneau et al. .	

FOREIGN PATENT DOCUMENTS

27661	7/1930	Australia	215/228
-------	--------	-----------------	---------

Primary Examiner—Alan P. Douglas
Assistant Examiner—Robert M. Spear

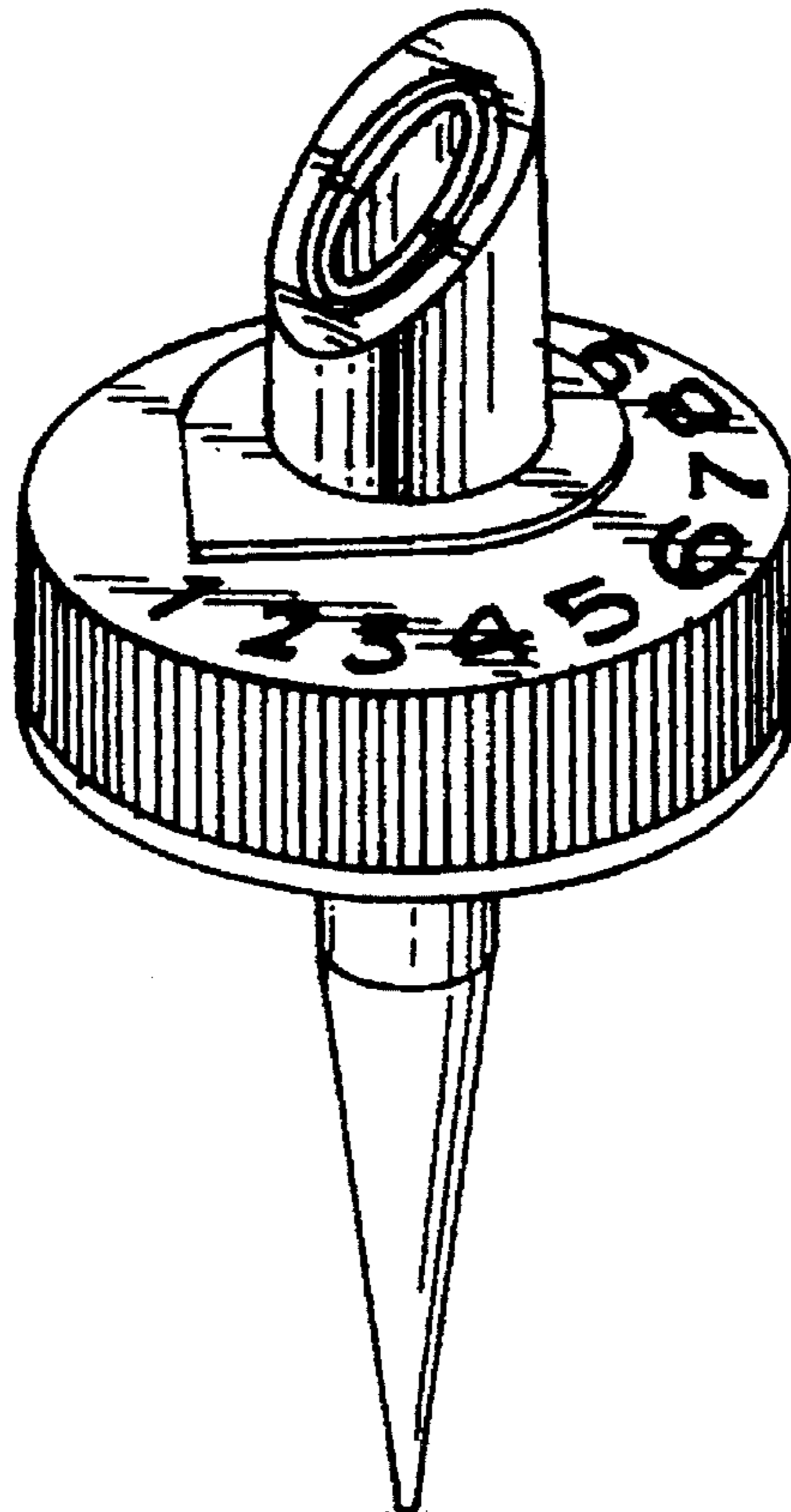
[57] **CLAIM**

The ornamental design for a combined bottle cap and pipette, as shown and described.

DESCRIPTION

FIG. 1 is a perspective view of the combined bottle cap and pipette, showing my new design;
FIG. 2 is a side elevational view thereof, the opposite side being a mirror image thereof;
FIG. 3 is a top plan view thereof;
FIG. 4 is a bottom plan view thereof;
FIG. 4 is a bottom plan view thereof;
FIG. 5 is a front elevational view thereof; and,
FIG. 6 is a rear elevational view thereof.

1 Claim, 1 Drawing Sheet



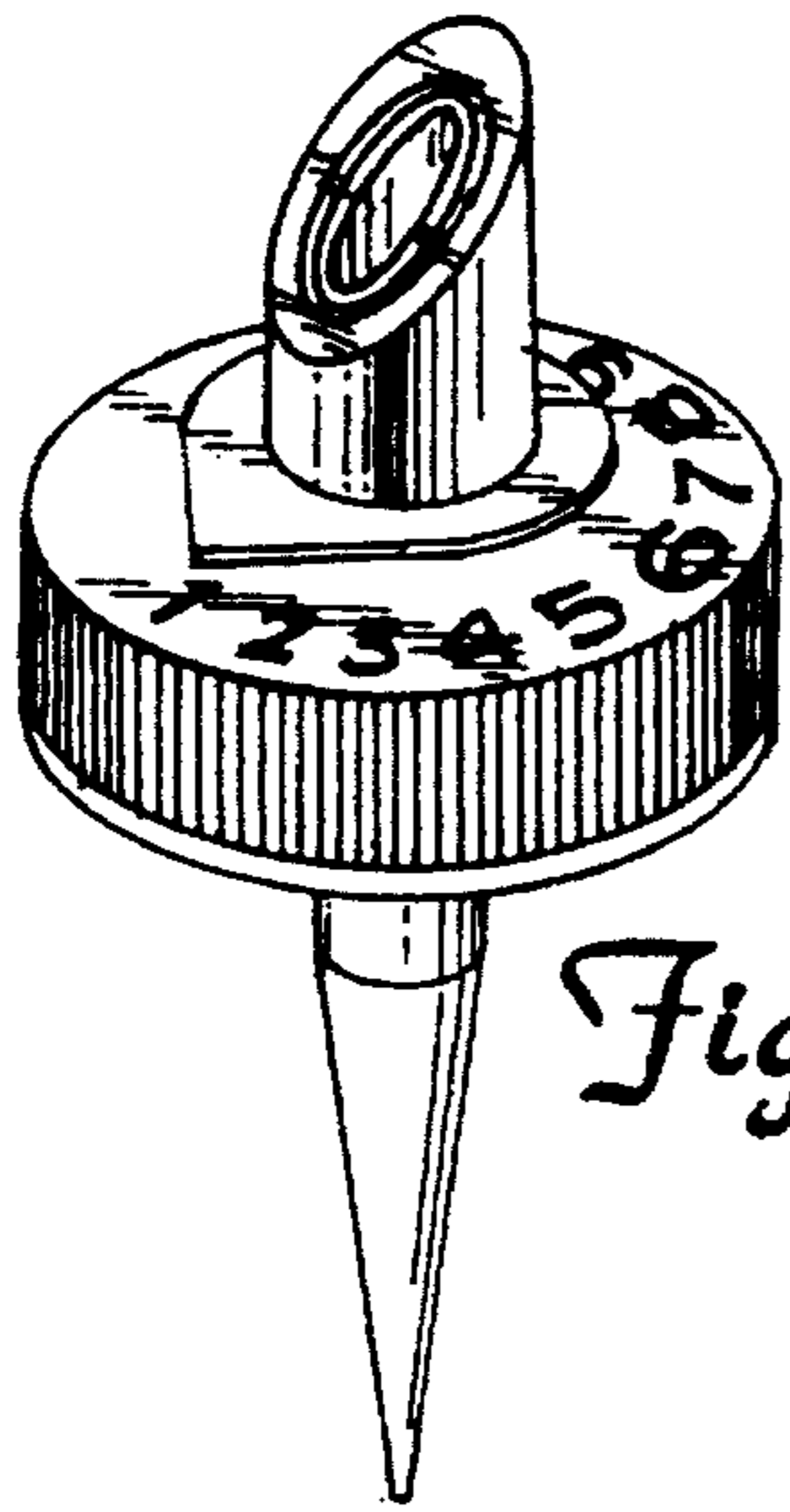


Fig. 1

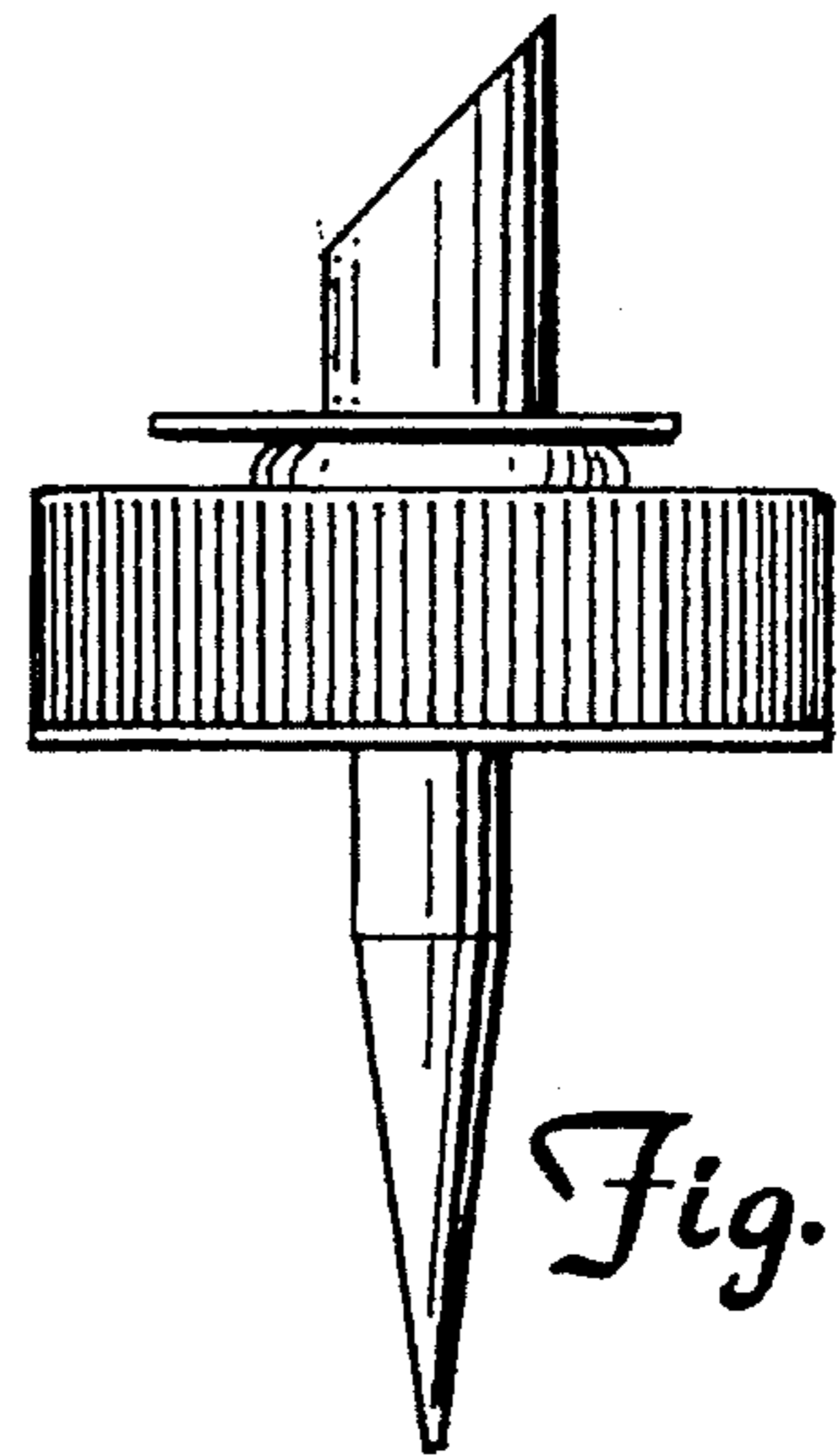


Fig. 2

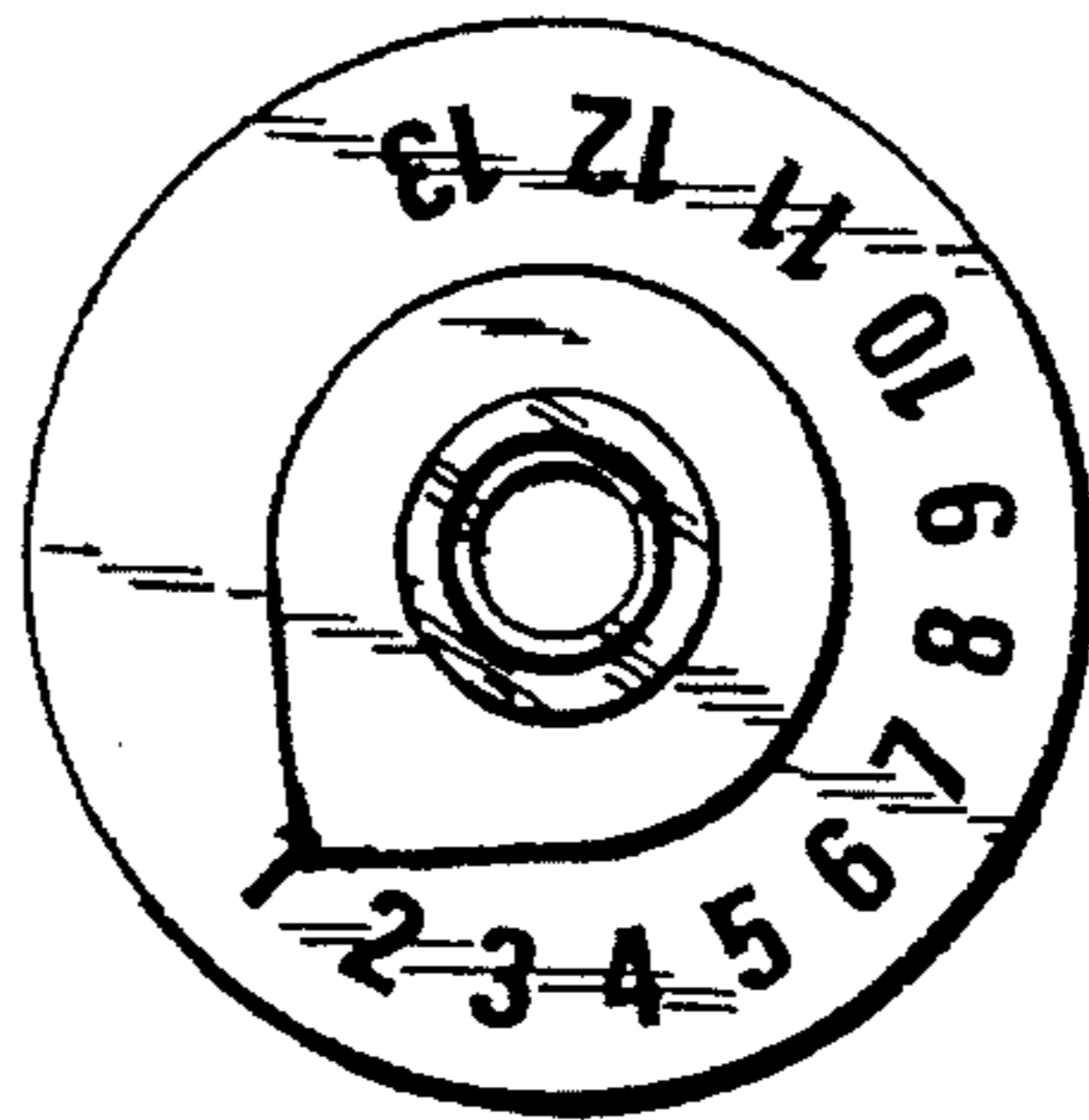


Fig. 3

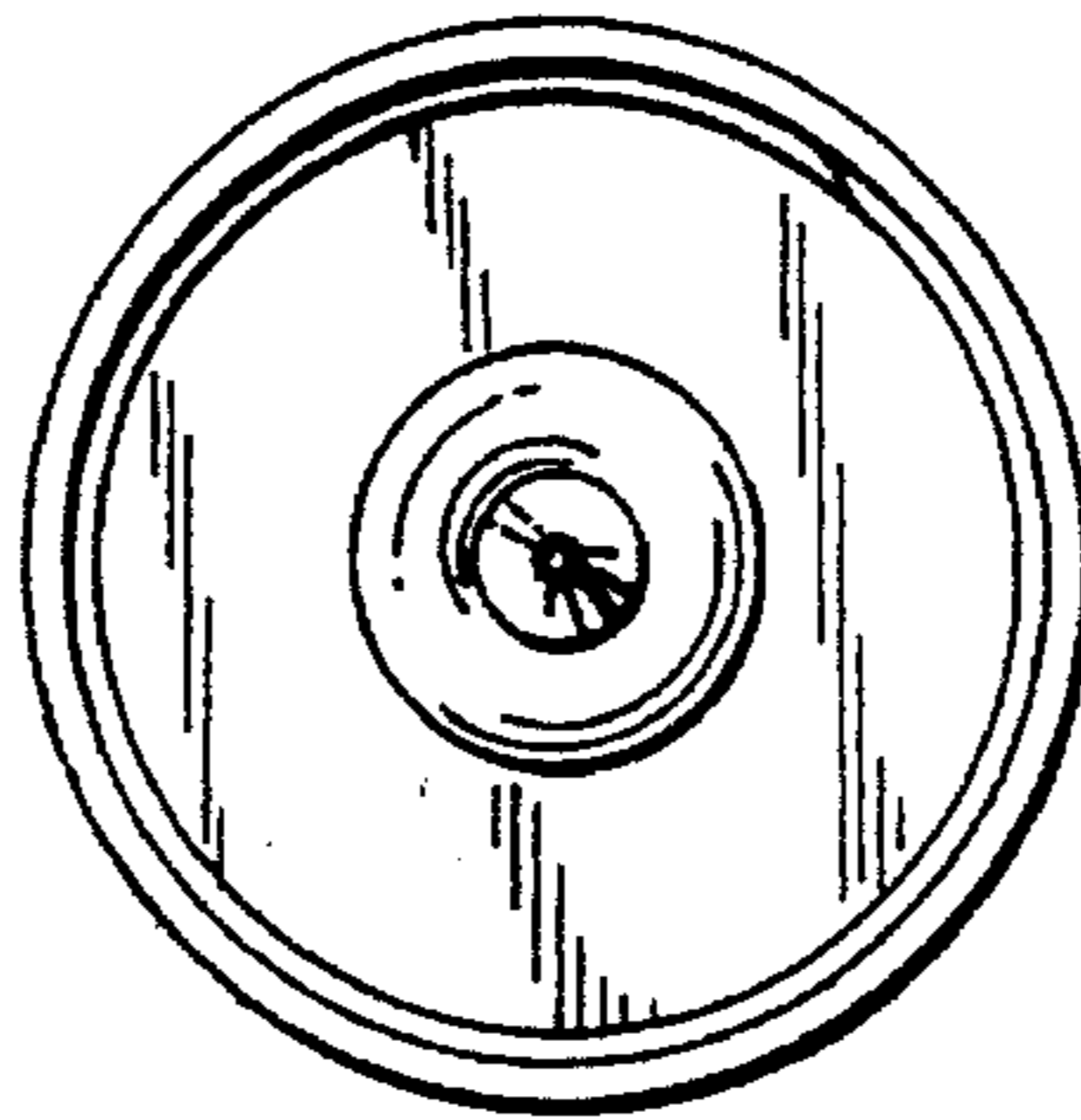


Fig. 4

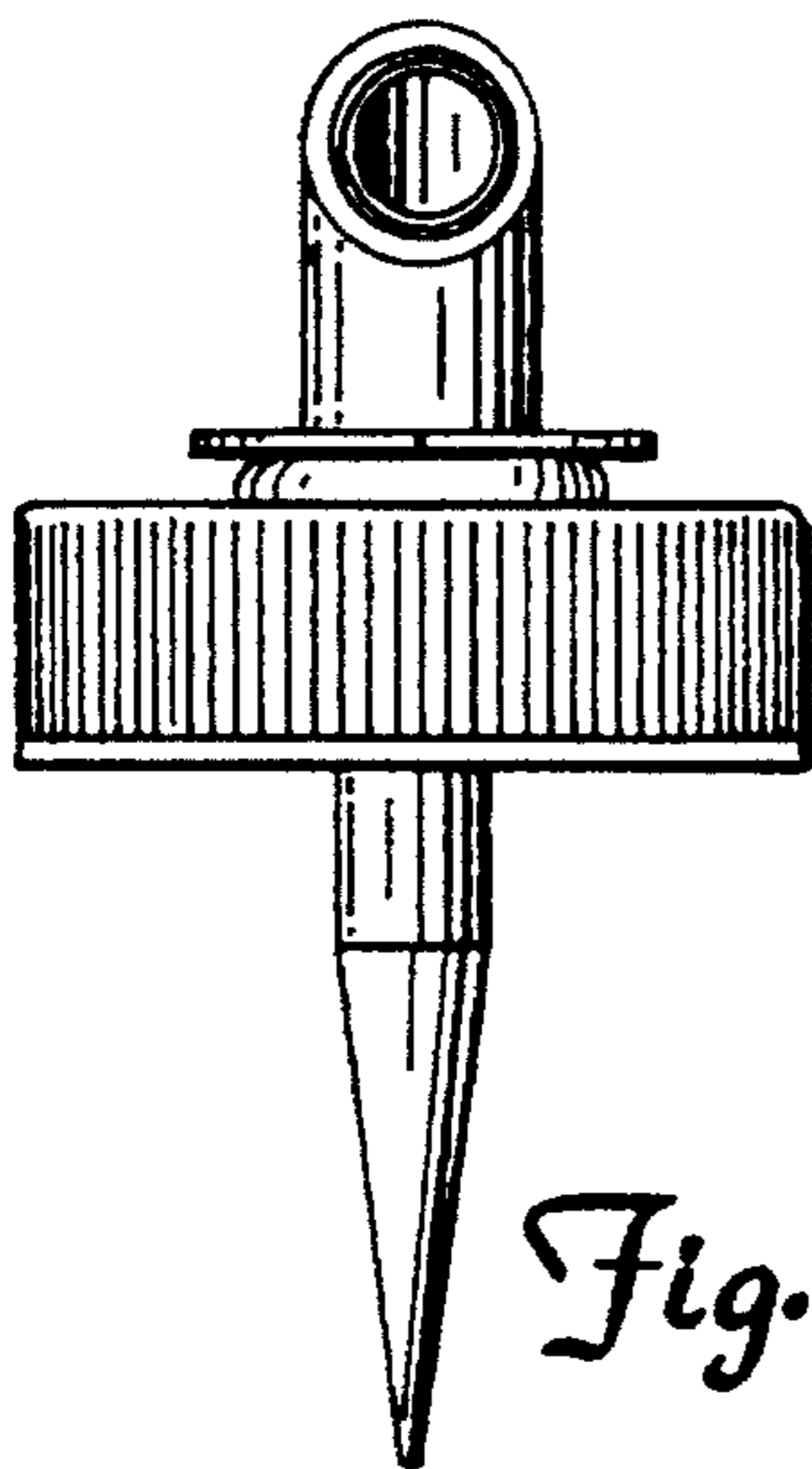


Fig. 5

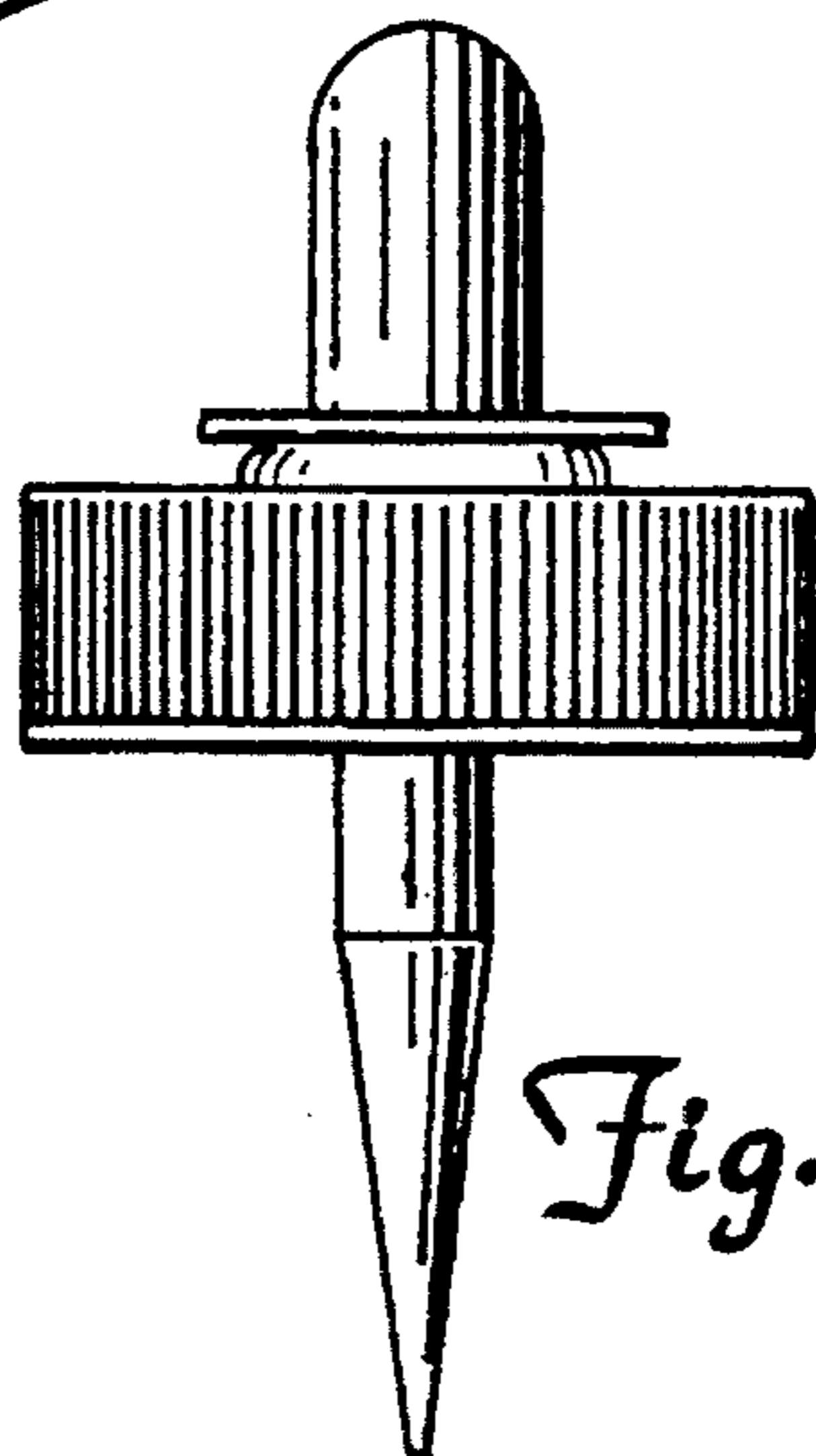


Fig. 6