



US00D363218S

United States Patent [19] Mann

[11] Patent Number: **Des. 363,218**

[45] Date of Patent: ****Oct. 17, 1995**

[54] **EARRING DISPLAY PACKAGE**

[75] Inventor: **Samuel J. Mann**, Englewood, N.J.

[73] Assignee: **Inverness Corporation**, Fair Lawn, N.J.

[**] Term: **14 Years**

[21] Appl. No.: **25,131**

[22] Filed: **Jun. 28, 1994**

[52] U.S. Cl. **D9/428; D9/418**

[58] Field of Search **D9/428, 429, 424, D9/425, 422, 337, 517, 418; 206/486, 477, 6.1, 45.32, 45.34, 45.19, 823, 37; 220/425, 8; D3/903**

4,552,264 11/1985 Quarrell et al. 206/45.34 X
 5,168,985 12/1992 Shih 206/45.3 X
 5,261,529 11/1993 Holland 206/6.1

OTHER PUBLICATIONS

Packaging, 1959, p. 165, item #512.

Primary Examiner—Prabhakar G. Deshmukh
Attorney, Agent, or Firm—Stroock & Stroock & Lavan

[57] CLAIM

The ornamental design for an earring display package, as shown and described.

DESCRIPTION

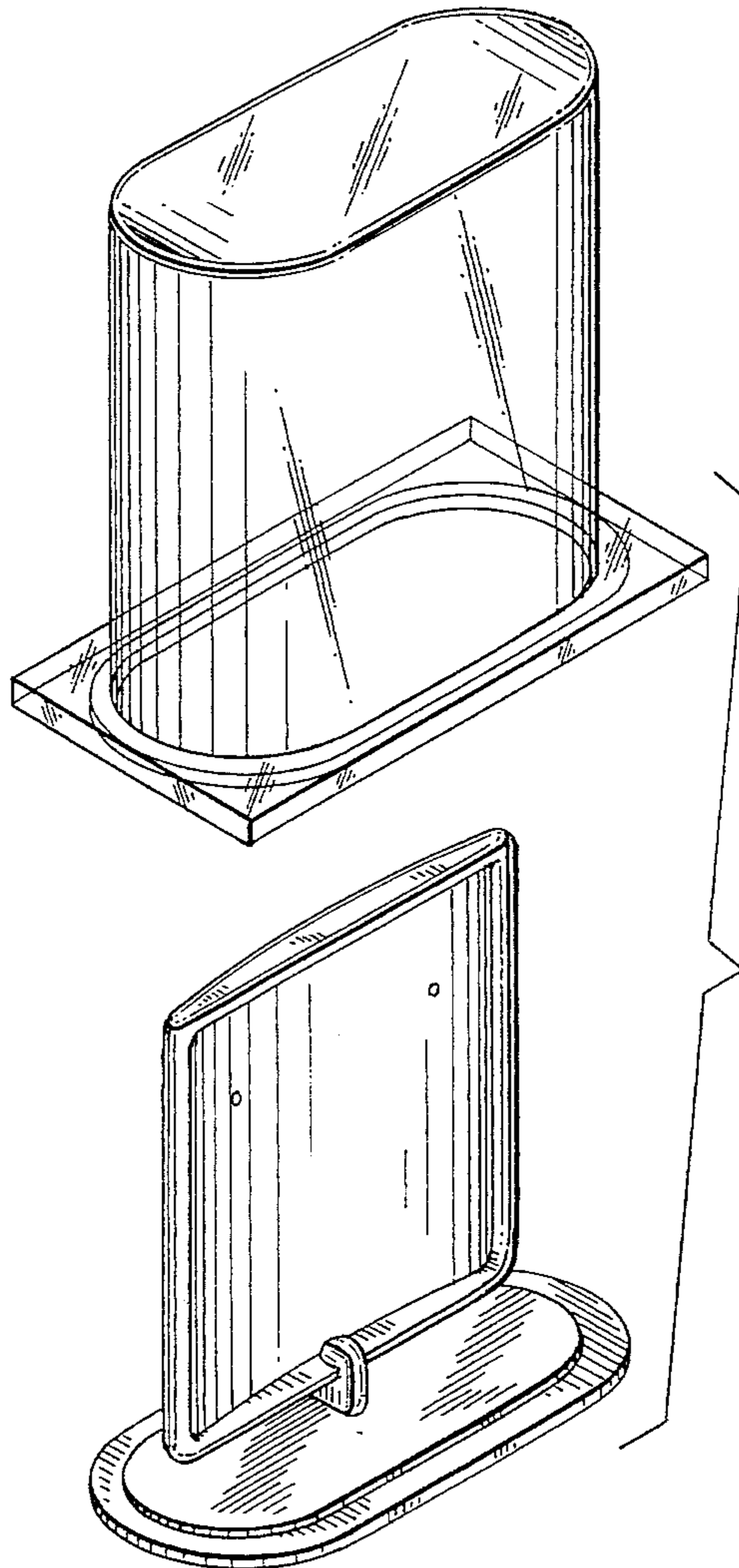
FIG. 1 is an exploded perspective view of an earring display package showing my new design;
 FIG. 2 is a top plan view thereof;
 FIG. 3 is a side elevational view thereof, the opposite side being a mirror image thereof;
 FIG. 4 is a front elevational view thereof, the rear elevational view being substantially a mirror image thereof; and,
 FIG. 5 is a bottom plan view thereof.

[56] References Cited

U.S. PATENT DOCUMENTS

D. 259,847	7/1981	Hamby	D3/903 X
D. 265,777	8/1982	Elzea et al.	D9/425 X
D. 274,752	7/1984	Byrne	D9/341 X
2,498,757	2/1950	High	206/45.34
3,690,902	9/1972	Dahl	206/45.32 X
3,935,944	2/1976	Wilson et al.	206/45.34 X

1 Claim, 2 Drawing Sheets



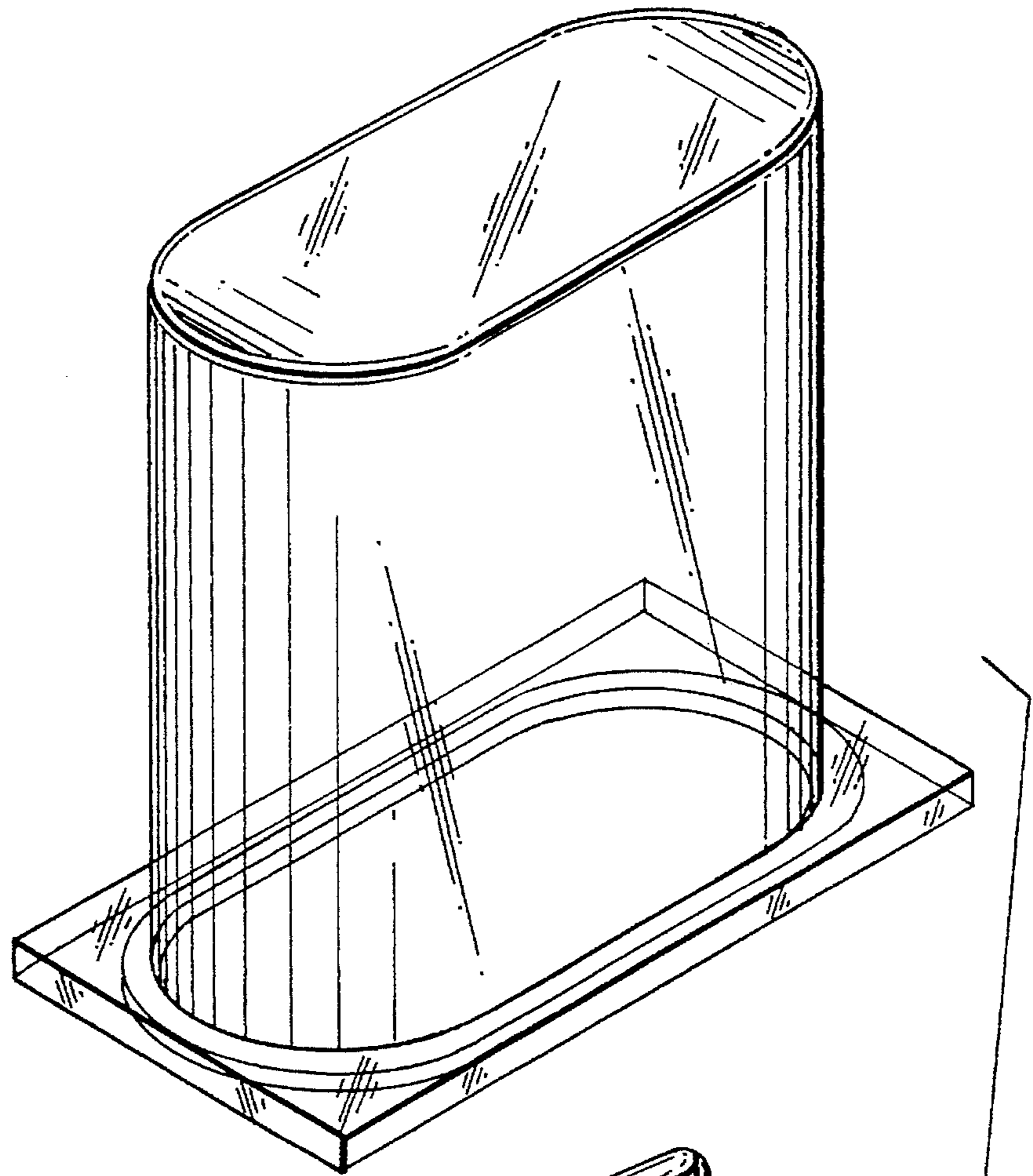
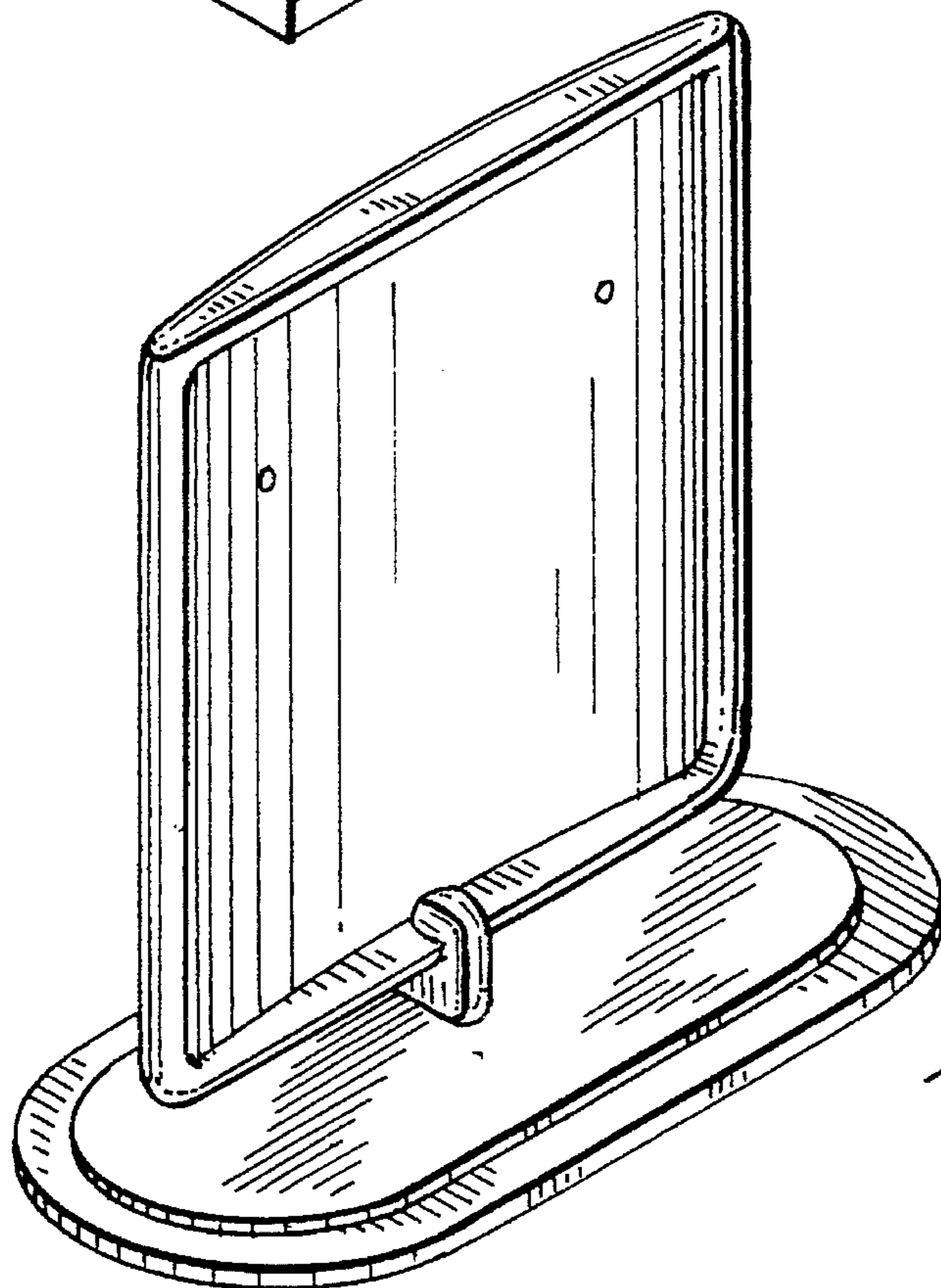


FIG. 1



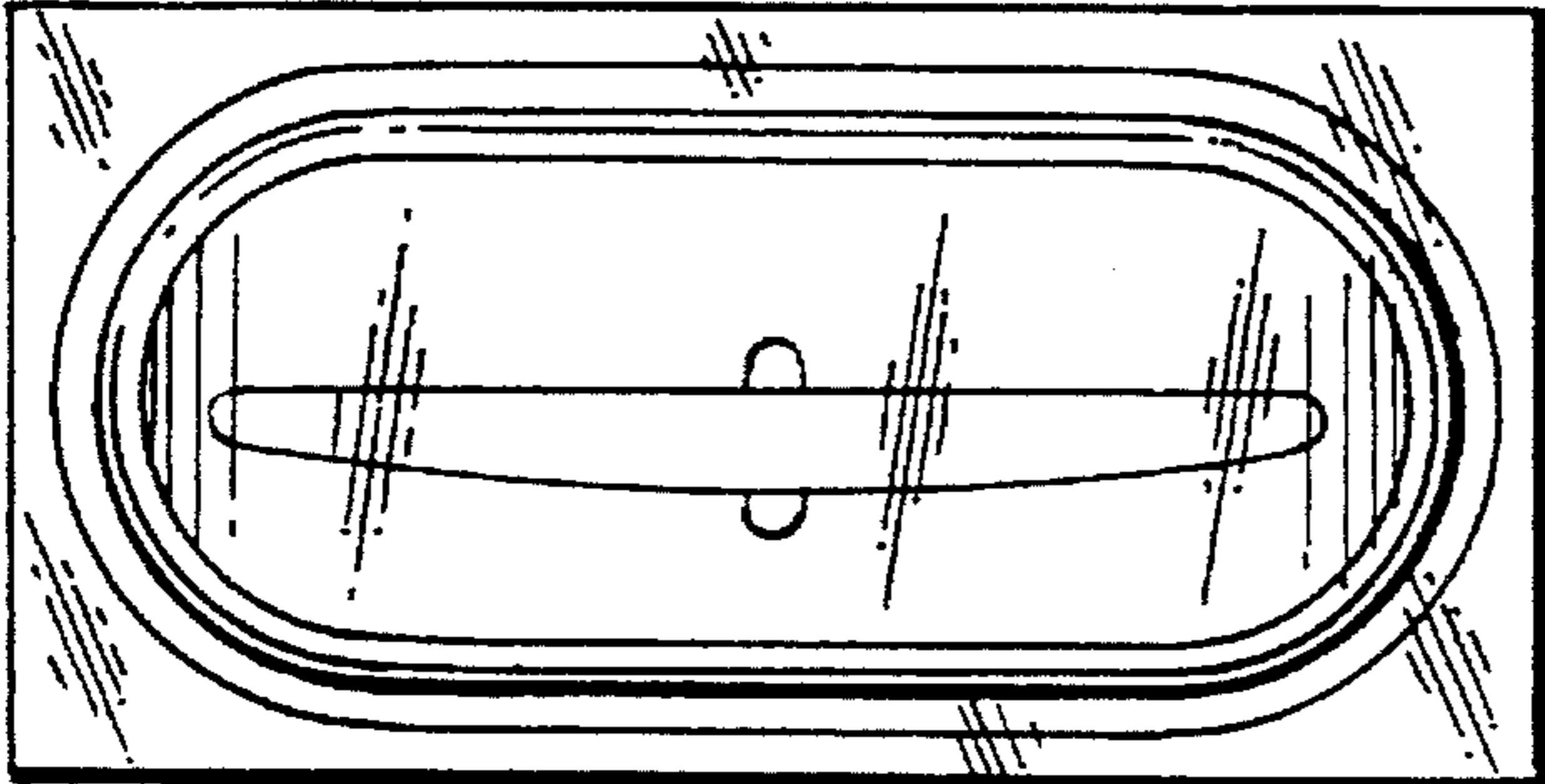


FIG. 2

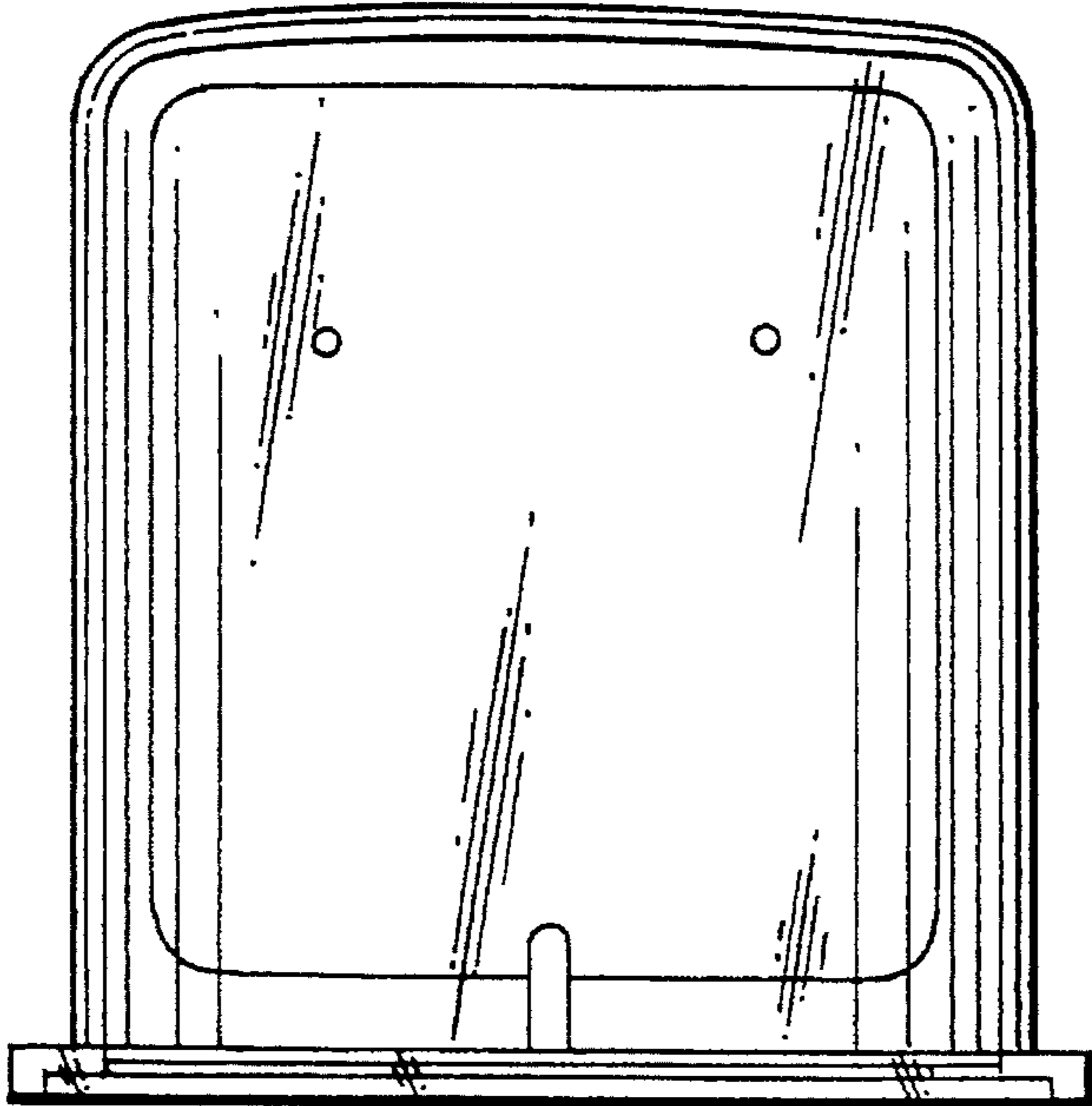


FIG. 4

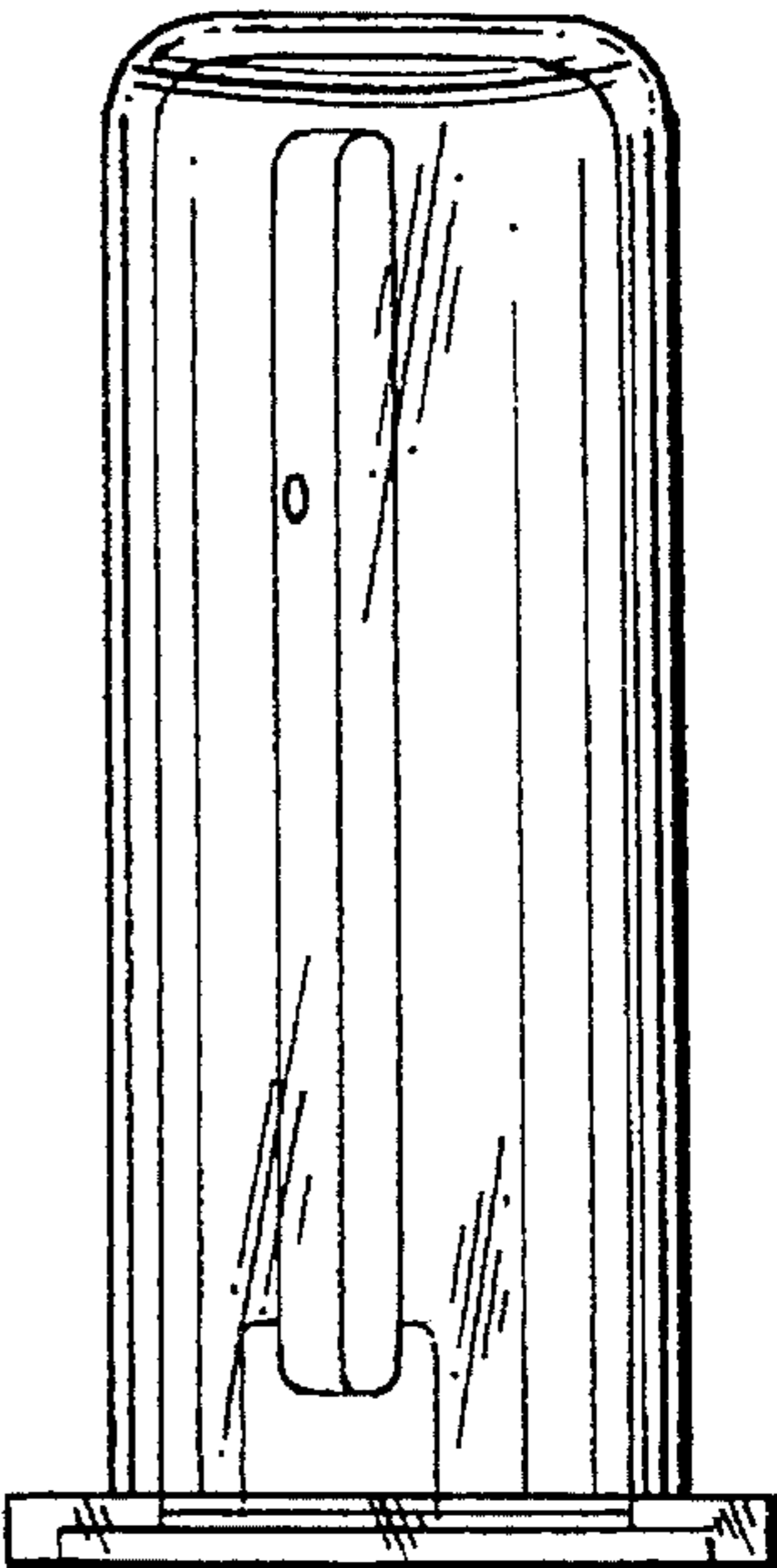


FIG. 3

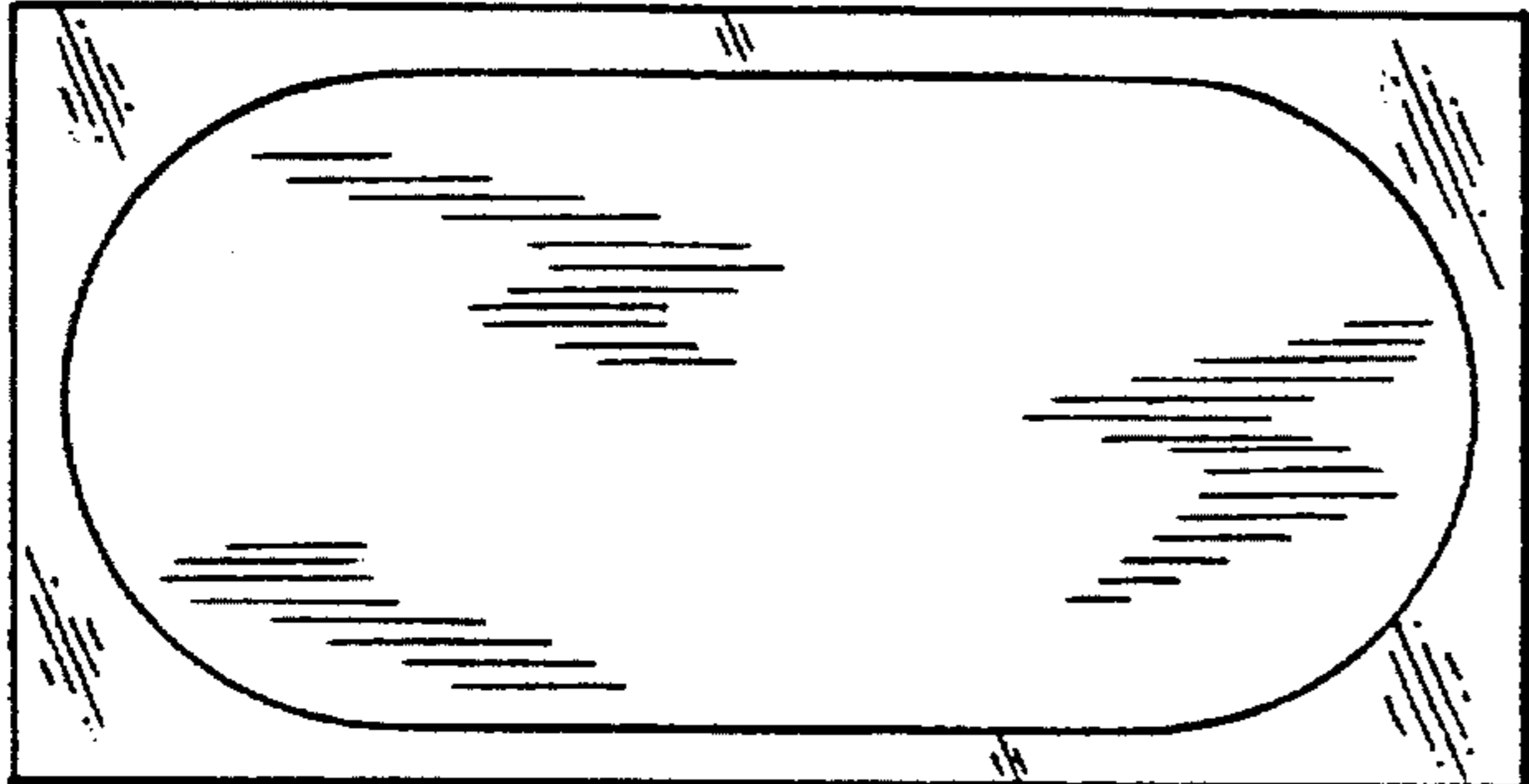


FIG. 5