



US00D363217S

United States Patent [19] Flynn

[11] Patent Number: **Des. 363,217**

[45] Date of Patent: ****Oct. 17, 1995**

[54] **PACKAGING CONTAINER**

4,724,964 2/1988 Hernandez 206/470 X
4,795,029 1/1989 Campbell et al. 206/470 X

[75] Inventor: **Patrick J. Flynn**, Crystal Lake, Ill.

OTHER PUBLICATIONS

[73] Assignee: **Continental Datalabel, Inc.**, Elgin, Ill.

Modern Packaging 1963, p. 334.

[**] Term: **14 Years**

Techform Inc, Nov. 1982.

[21] Appl. No.: **25,780**

Primary Examiner—Prabhakar G. Deshmukh
Attorney, Agent, or Firm—Speckman, Pauley & Fejer

[22] Filed: **Jul. 11, 1994**

[57] CLAIM

[52] U.S. Cl. **D9/415**

The ornamental design for a packaging container, as shown and described.

[58] Field of Search D9/415, 418, 341,
D9/432, 337; 256/461-471, 806, 45.34,
44 R, 495

DESCRIPTION

[56] References Cited

FIG. 1 is a perspective view of a packaging container showing my new design;

U.S. PATENT DOCUMENTS

FIG. 2 is a top plan view thereof;

D. 281,580	12/1985	Stevens	D9/415
D. 297,914	10/1988	Goodman	D9/341
D. 311,683	10/1990	Diba et al.	D9/415
D. 327,844	7/1992	Wimbish et al.	D9/415
D. 338,619	8/1993	Mylander et al.	D9/415
D. 343,356	1/1994	Wittman	D9/415
4,632,242	12/1986	Choi et al.	206/45.34 X

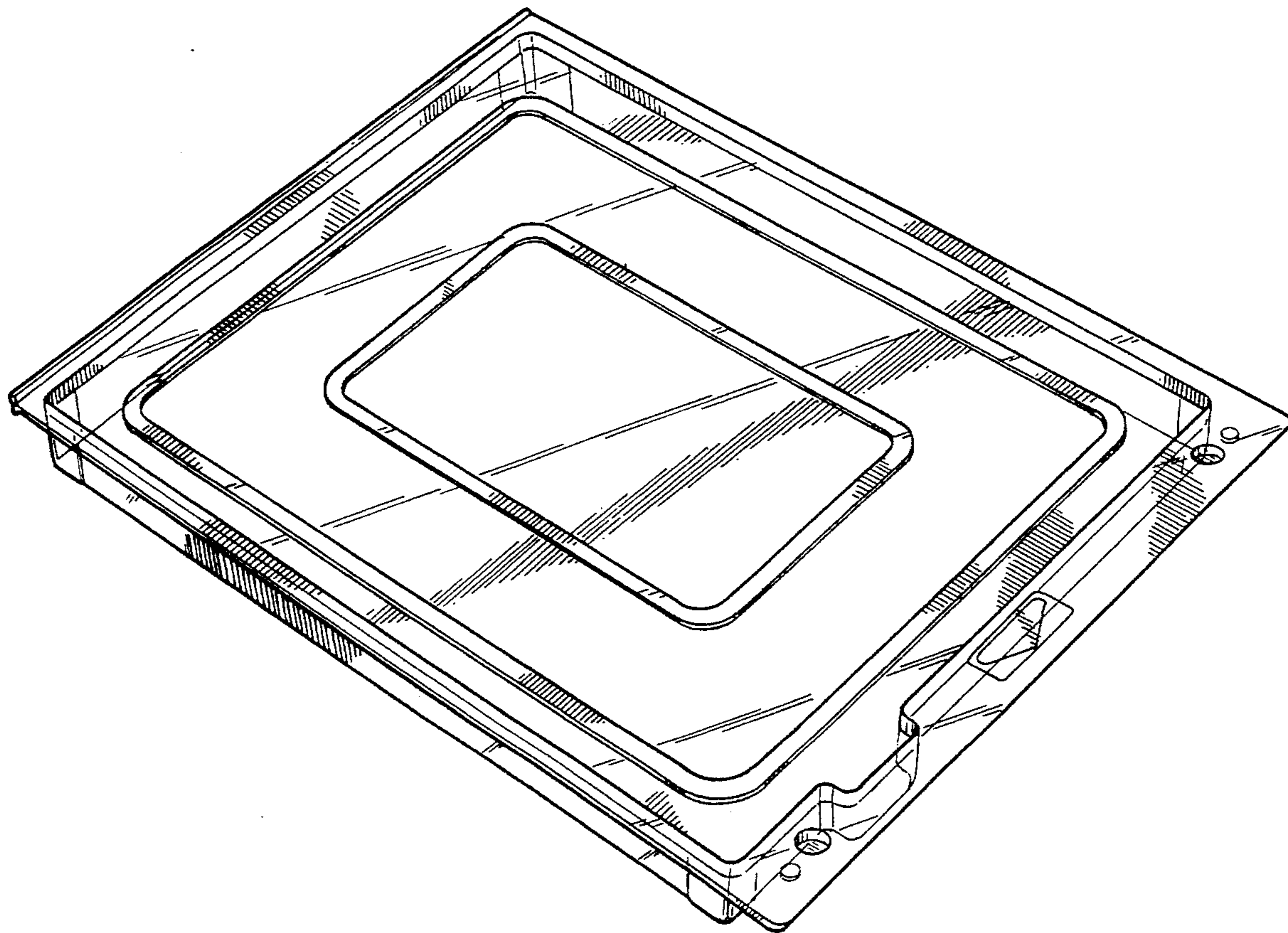
FIG. 3 is a left side elevational view thereof; the right side elevational view being a mirror image thereof;

FIG. 4 is a front elevational view thereof;

FIG. 5 is a rear elevational view thereof; and,

FIG. 6 is a perspective view thereof; in an open position.

1 Claim, 4 Drawing Sheets



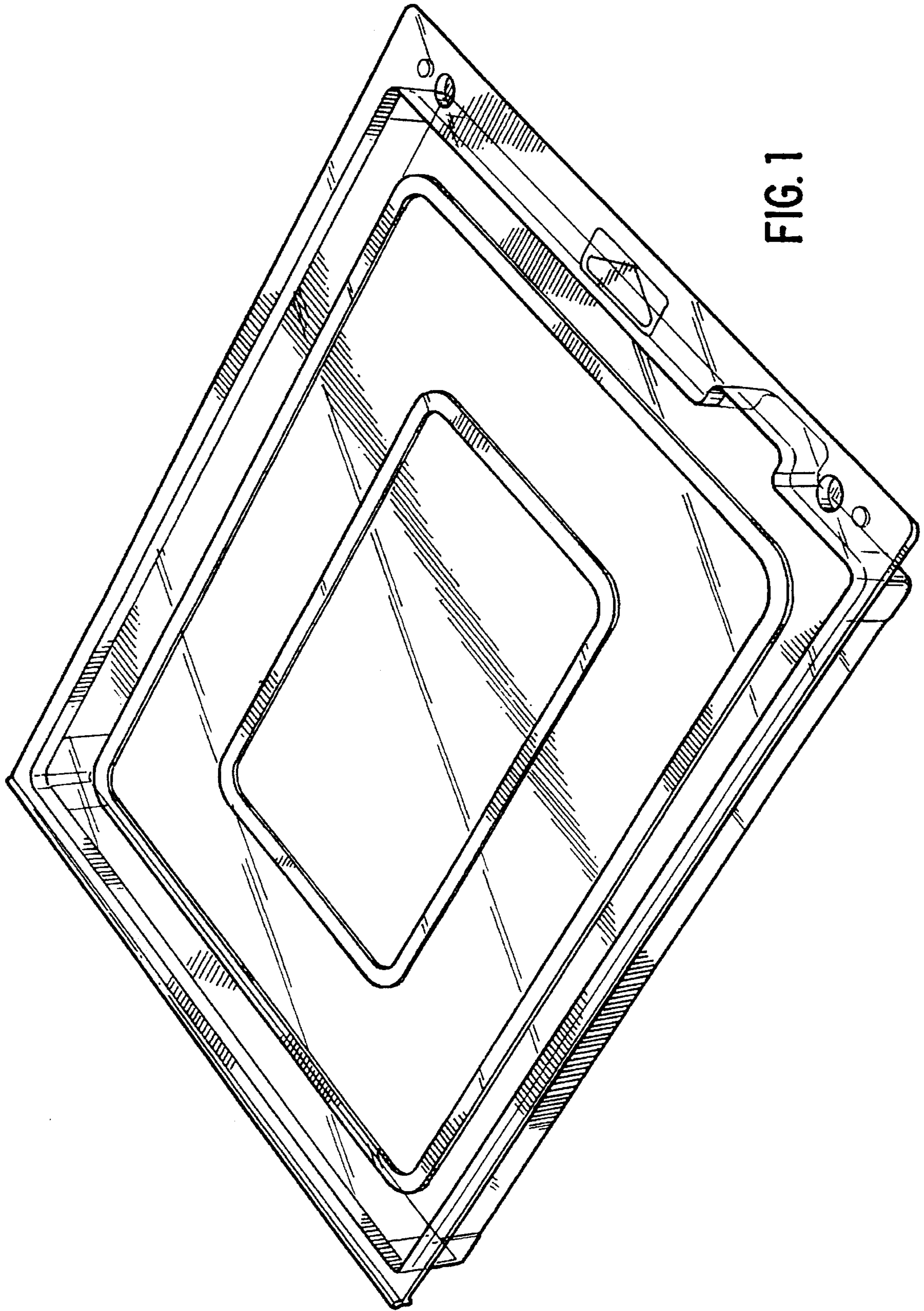


FIG. 1

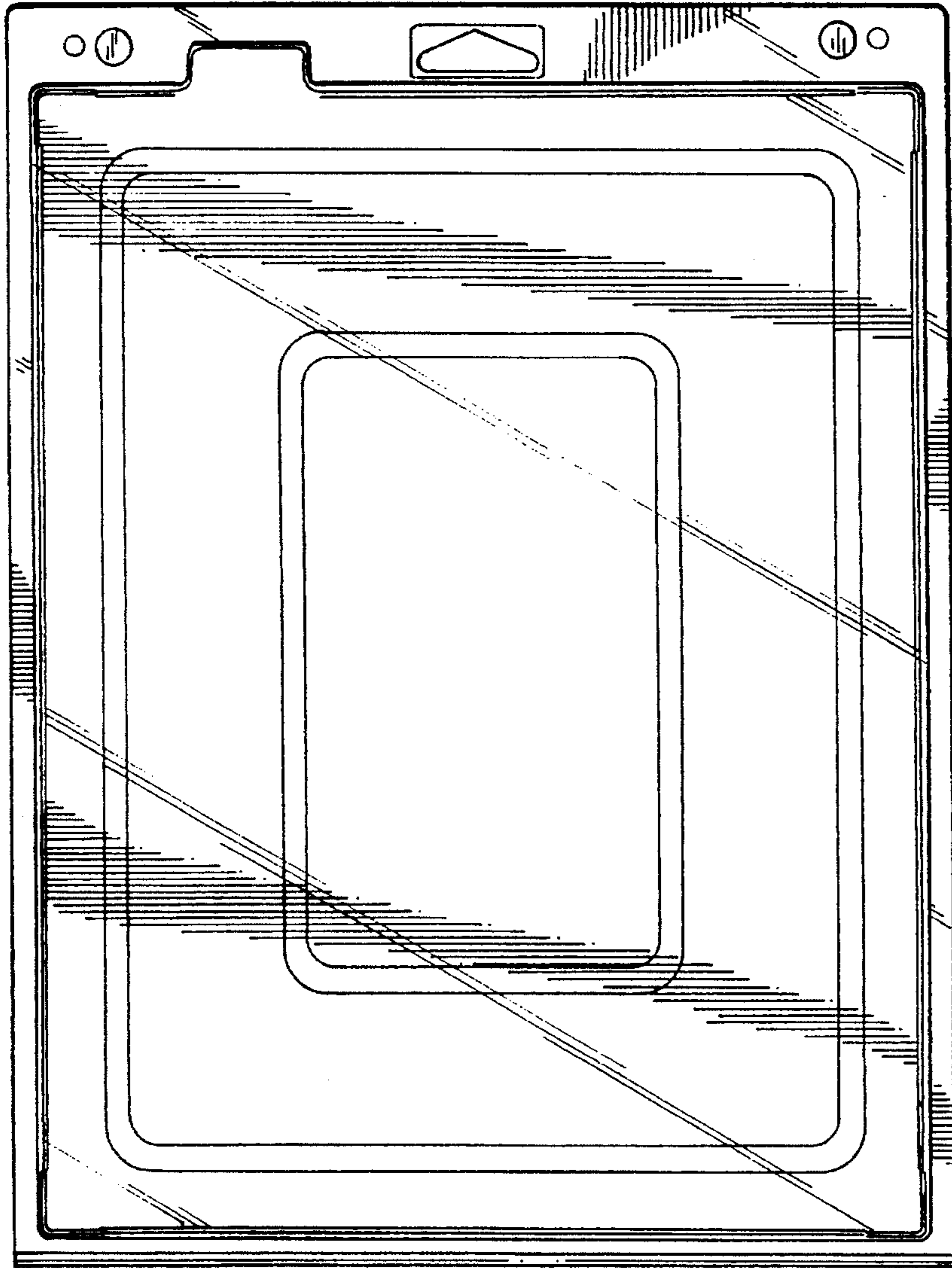


FIG. 2



FIG. 3

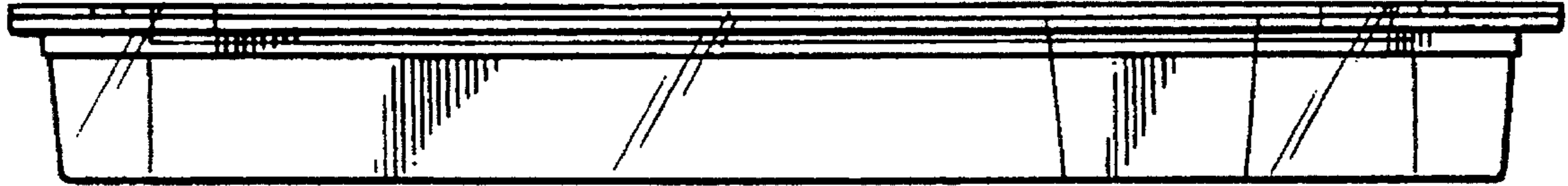


FIG. 4



FIG. 5

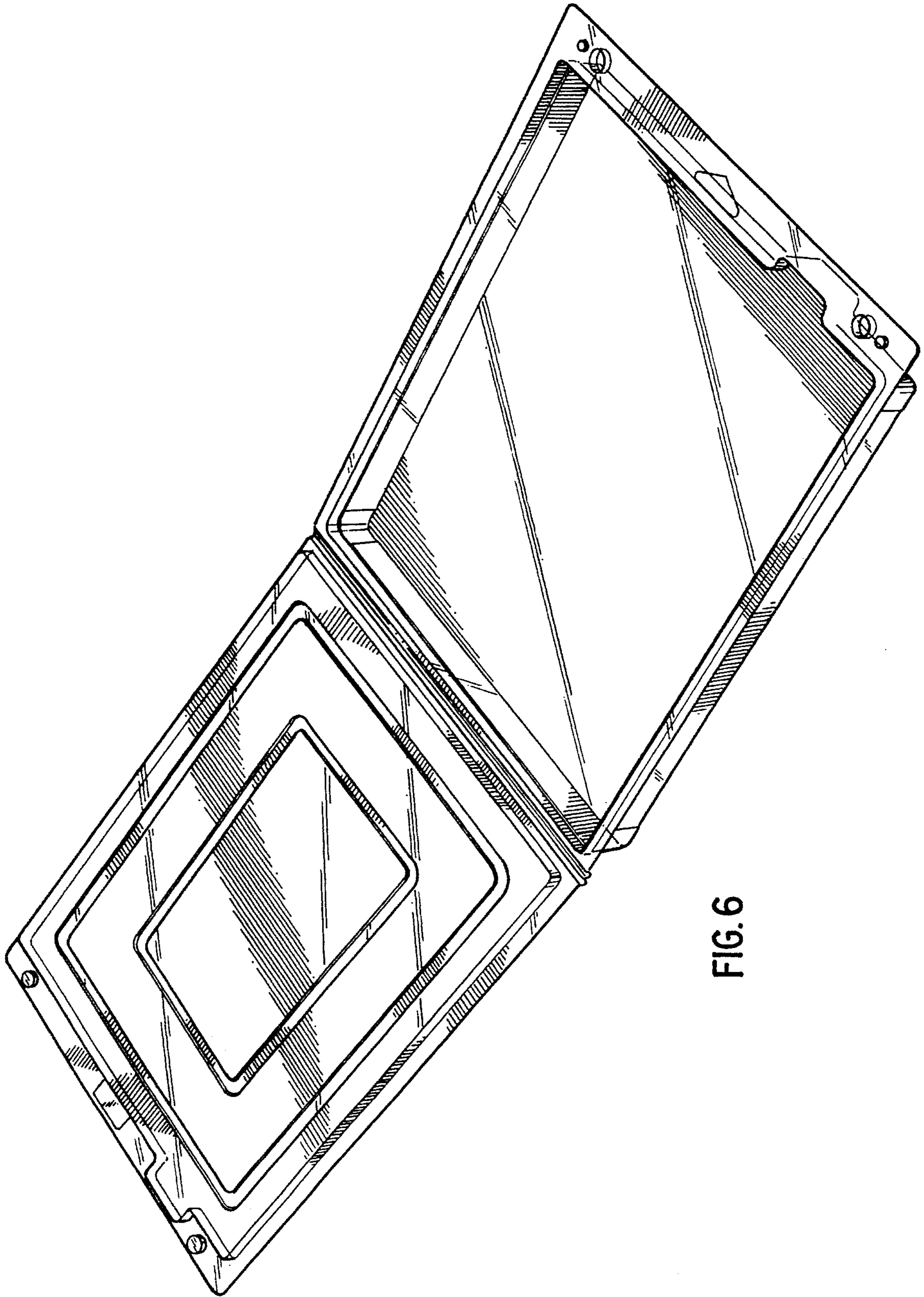


FIG. 6