



US00D363216S

**United States Patent** [19]  
**Curtis**

[11] **Patent Number: Des. 363,216**  
[45] **Date of Patent: \*\*Oct. 17, 1995**

[54] **MINIATURIZED MAPLE SYRUP CONTAINER**  
[76] Inventor: **Hester Curtis**, R.R. #1, Box 1235, Craftsbury, Vt. 05826  
[\*\*] Term: **14 Years**  
[21] Appl. No.: **24,660**  
[22] Filed: **Jun. 20, 1994**  
[52] U.S. Cl. .... **D9/325**  
[58] Field of Search ..... D9/325, 307, 500; 220/904, 760; 47/11

[56] **References Cited**  
**U.S. PATENT DOCUMENTS**  
459,253 9/1891 Metz .  
611,003 9/1898 Roth ..... D9/325 X  
1,113,822 10/1914 Paxton ..... 47/11 X  
2,006,083 6/1935 Dixon ..... 47/11

*Primary Examiner*—Ted Shooman  
*Assistant Examiner*—Cheri Cohen

*Attorney, Agent, or Firm*—John J. Welch, Jr.

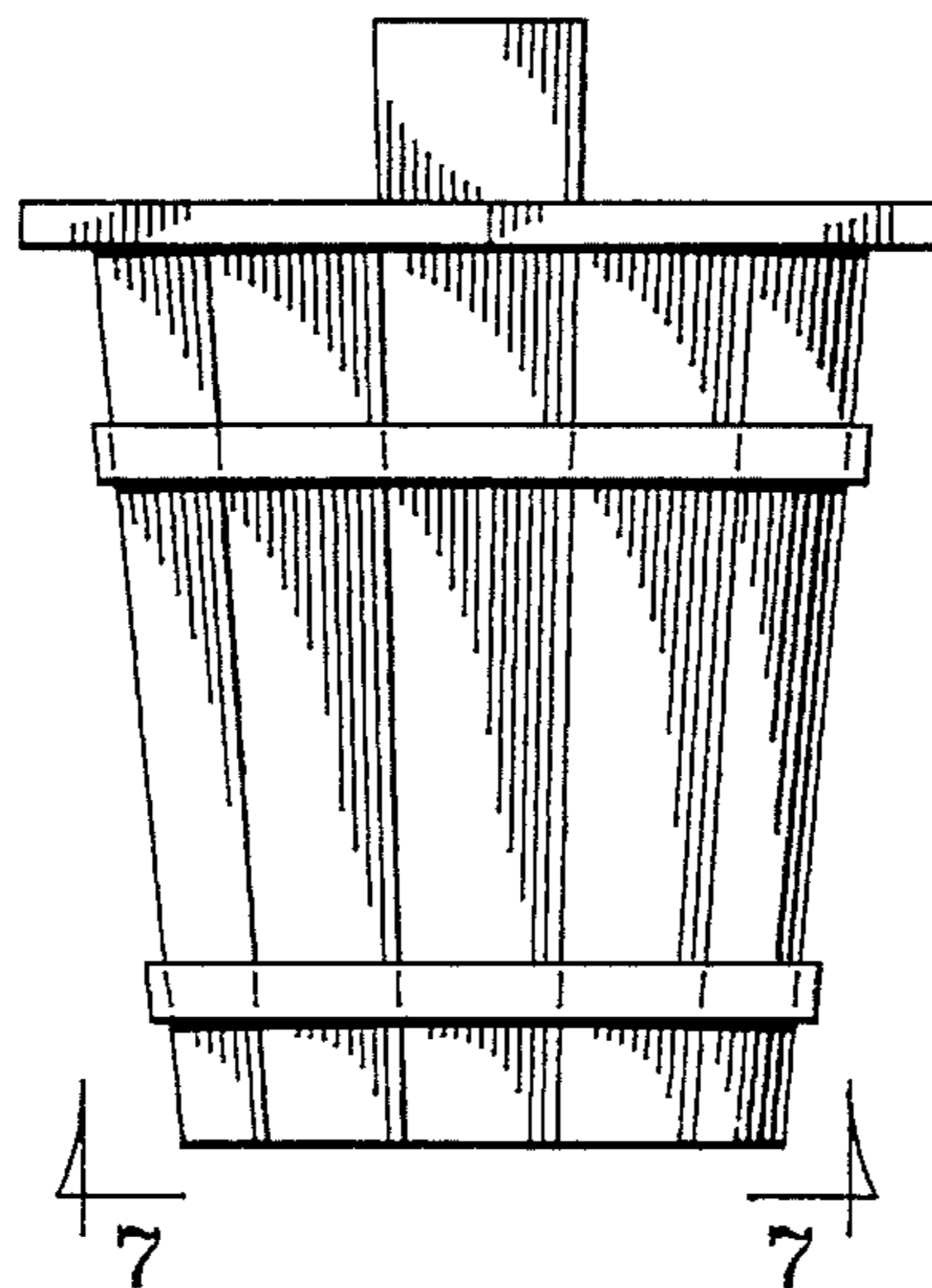
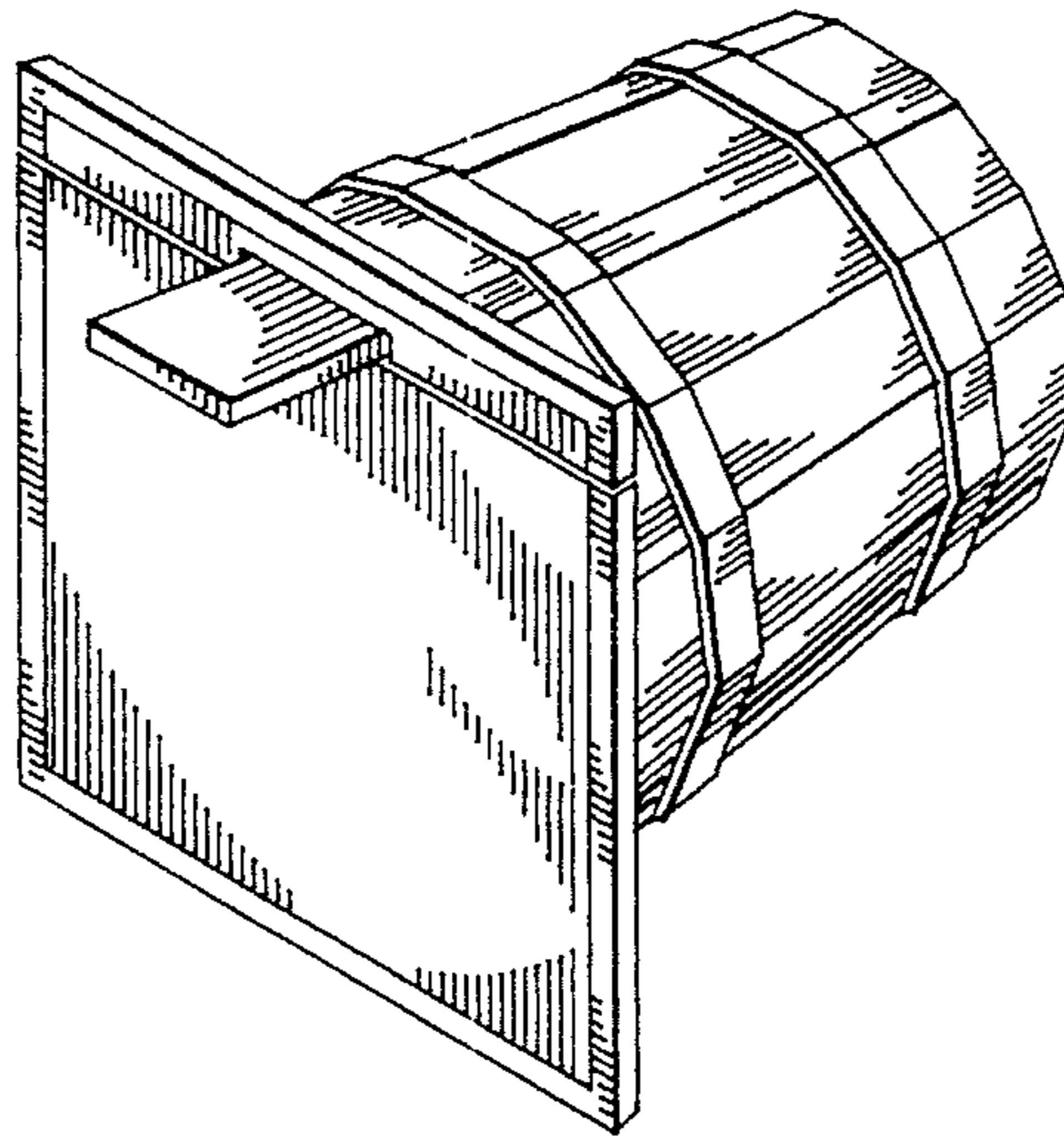
[57] **CLAIM**

The ornamental design for a miniaturized maple syrup container, as shown and described.

**DESCRIPTION**

FIG. 1 is a perspective view of a miniaturized maple syrup container showing my new design;  
FIG. 2 is a perspective view thereof, with the hinged top portion in an open position;  
FIG. 3 is a top plan view thereof, with the hinged top portion in a closed position;  
FIG. 4 is a front elevation view thereof;  
FIG. 5 is a right side elevation view thereof;  
FIG. 6 is a left side elevation view thereof;  
FIG. 7 is a bottom plan view thereof;  
FIG. 8 is a rear elevation view thereof;  
FIG. 9 is a top plan view thereof, with the hinged top portion in an open position; and,  
FIG. 10 is a perspective view thereof, with the hinged top portion in an open position and rotated 180 degrees.

**1 Claim, 2 Drawing Sheets**



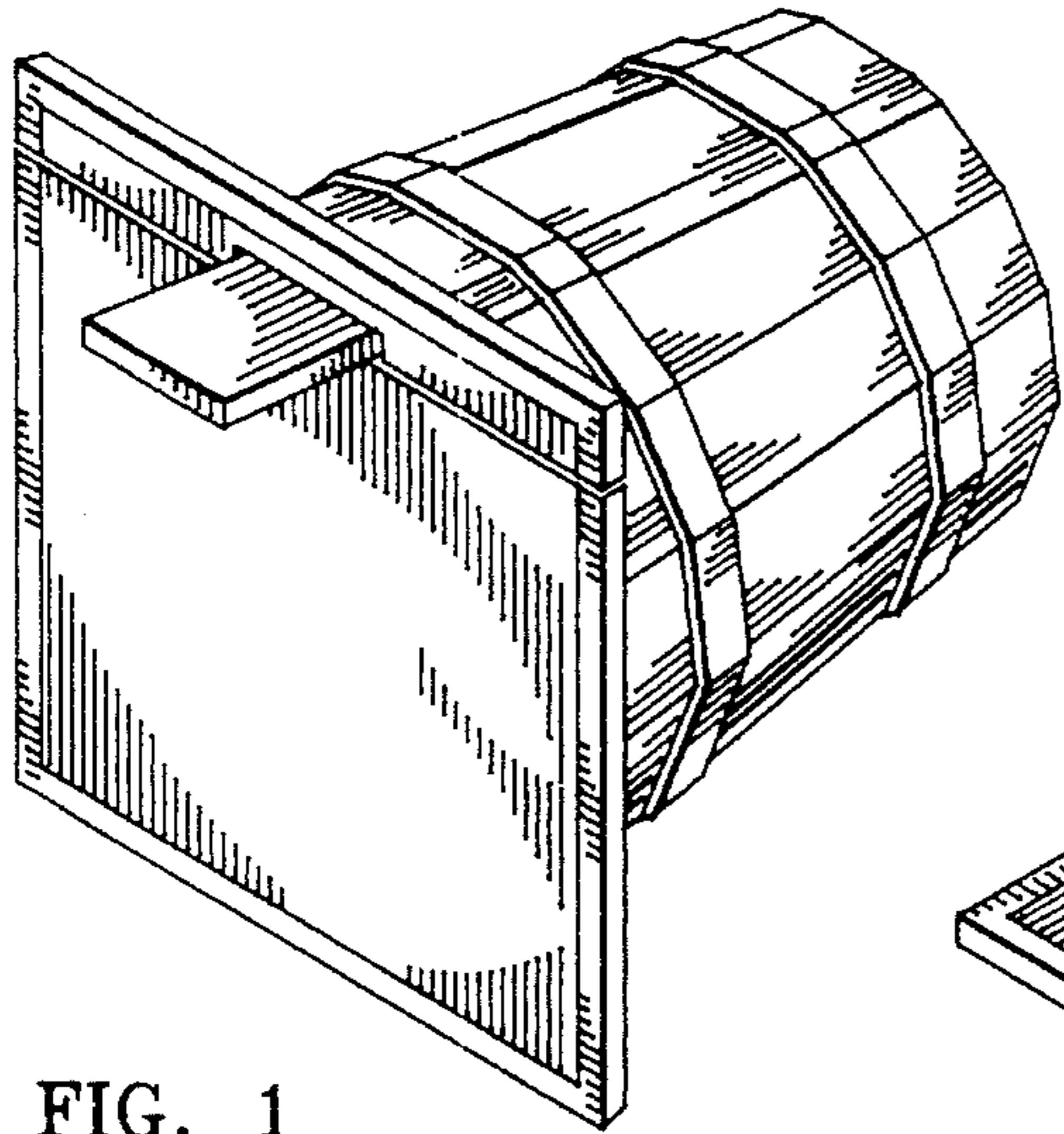


FIG. 1

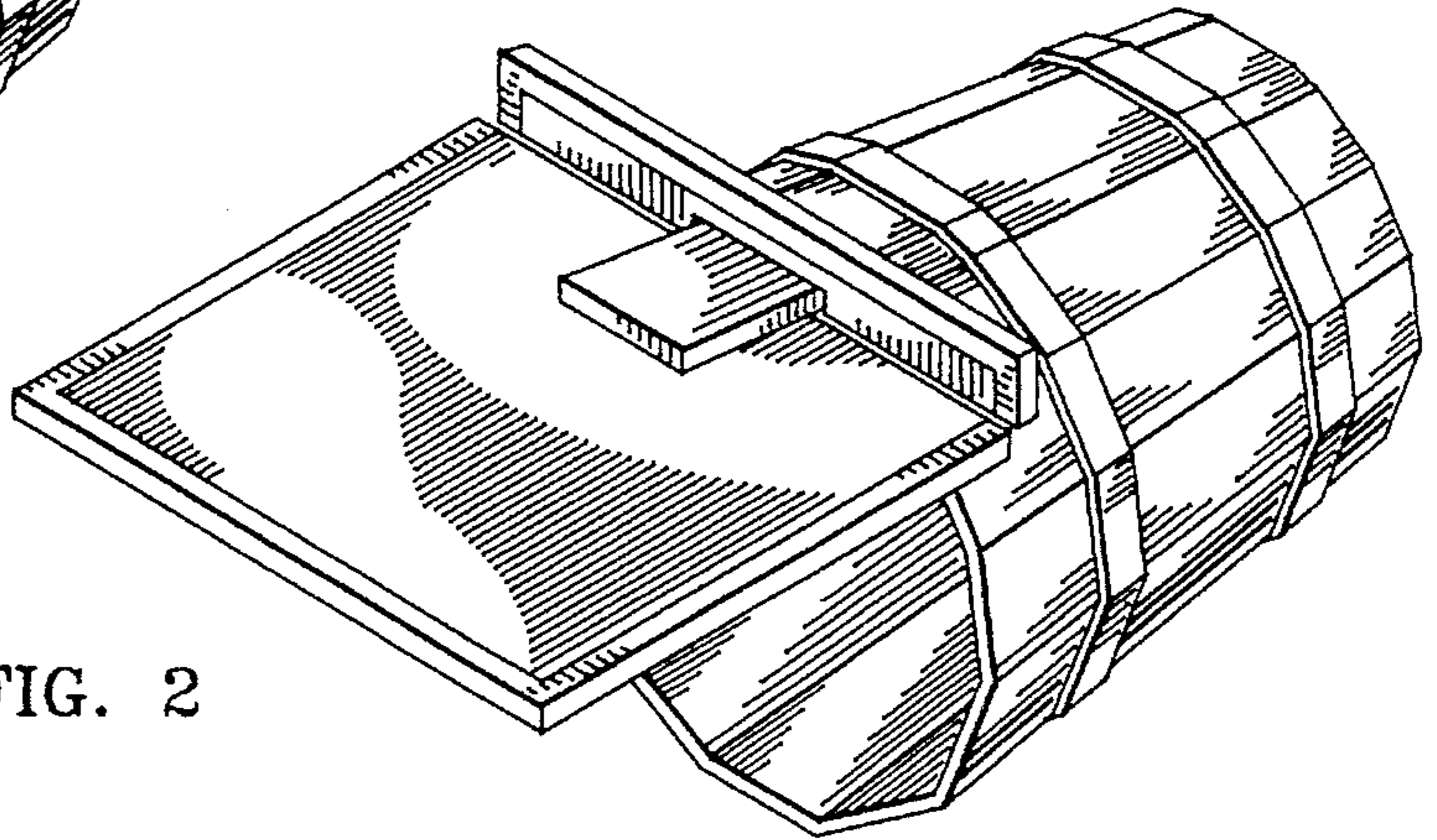


FIG. 2

FIG. 3

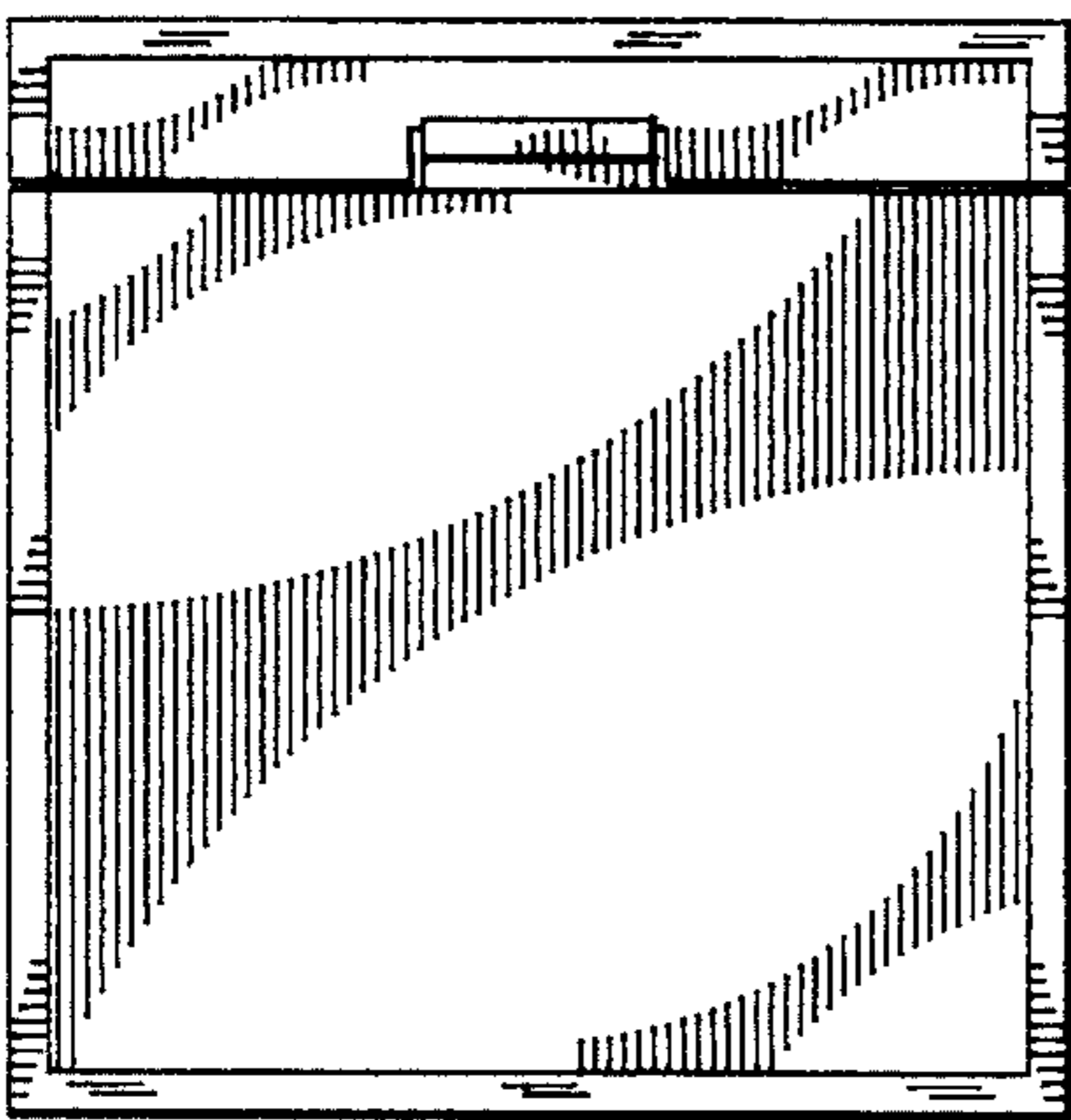


FIG. 5

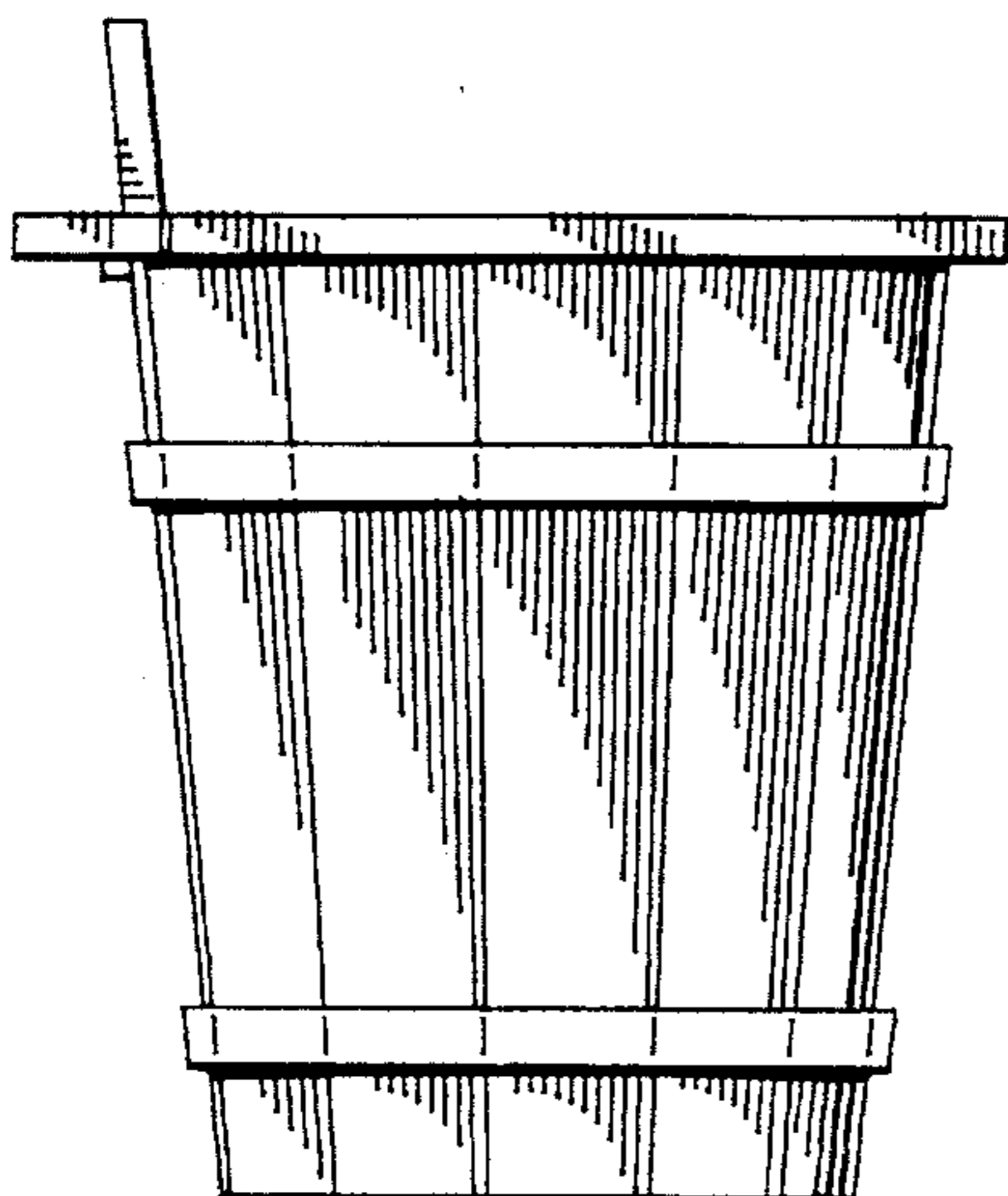


FIG. 4

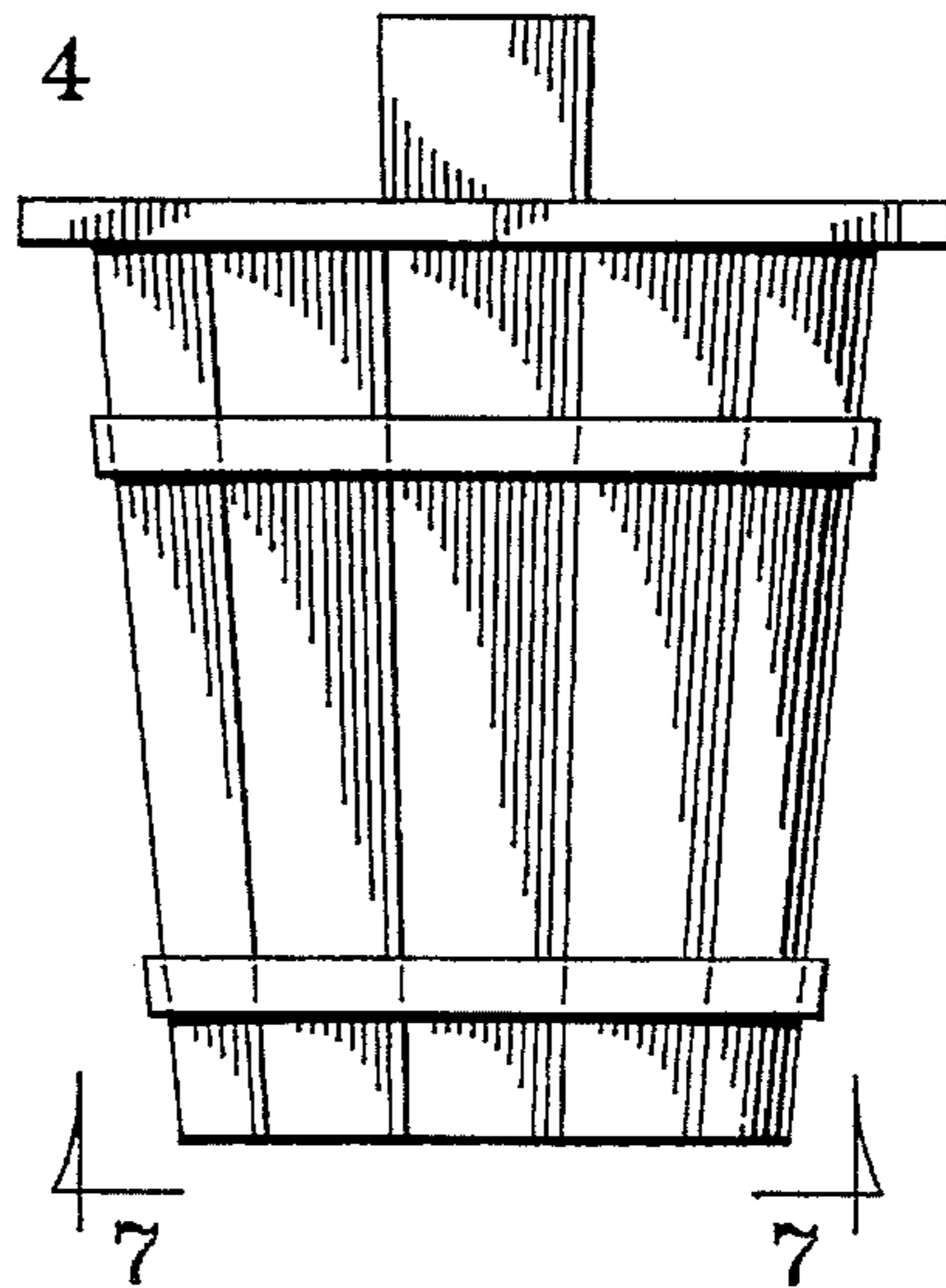
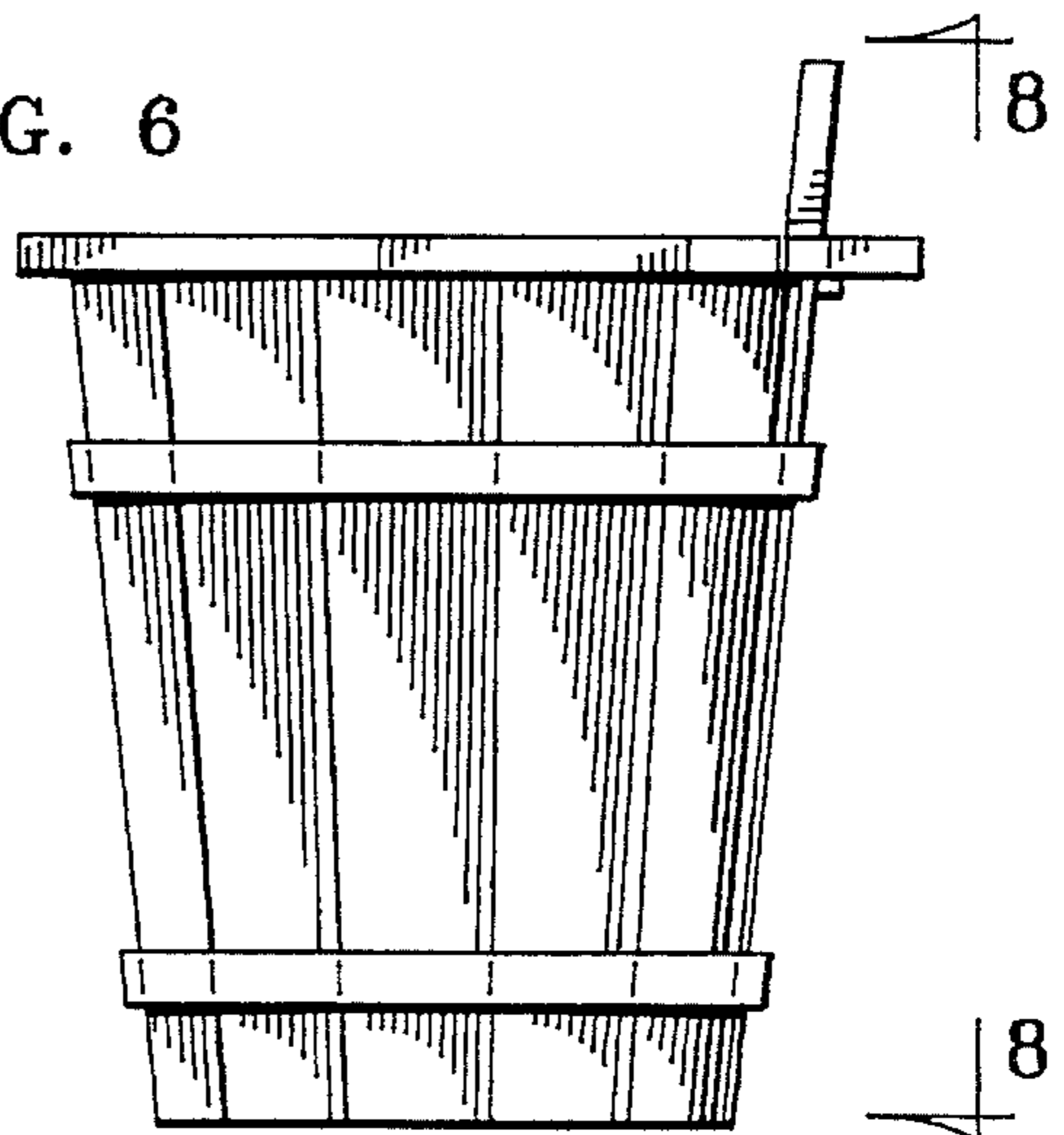


FIG. 6



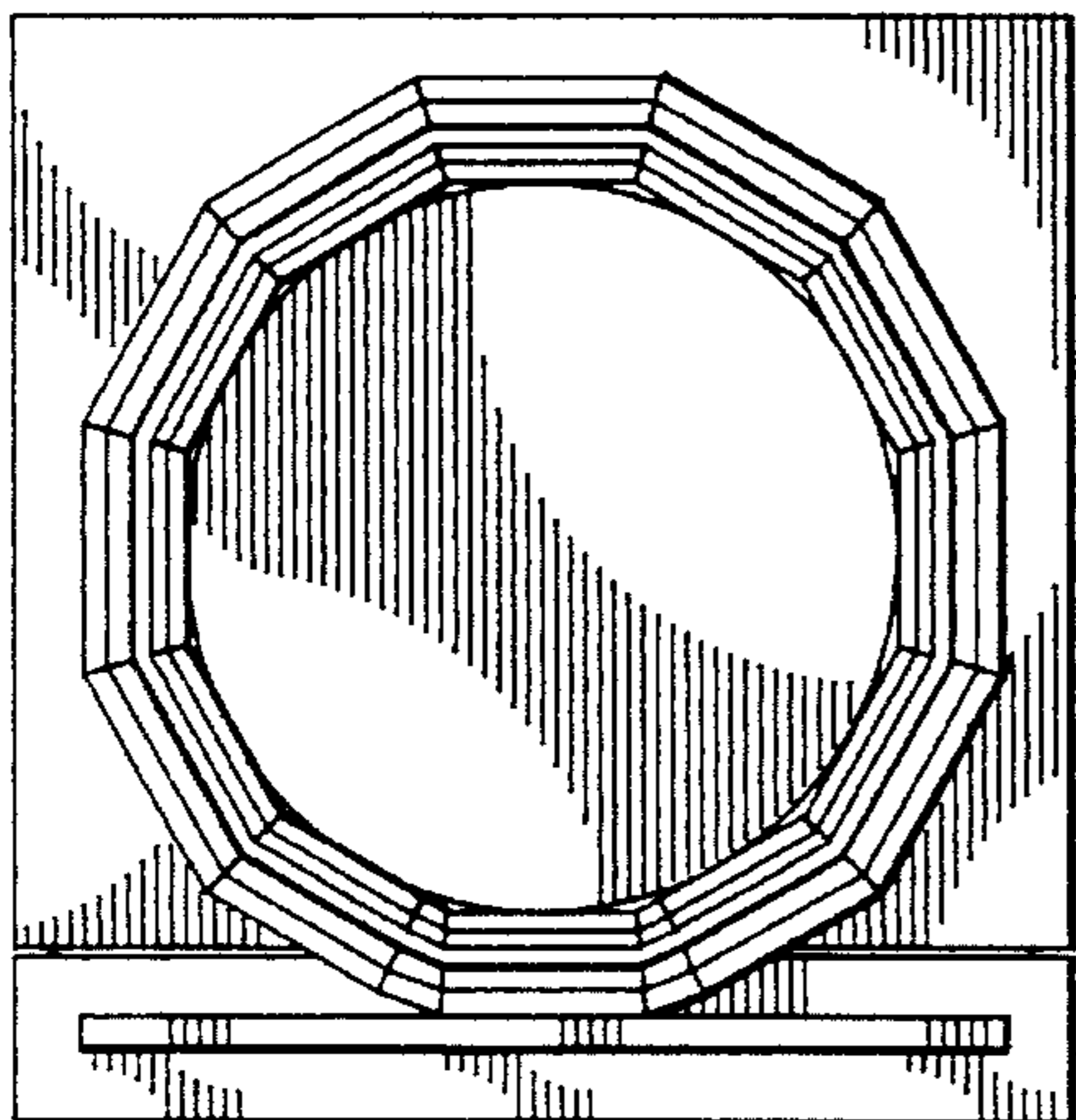


FIG. 7

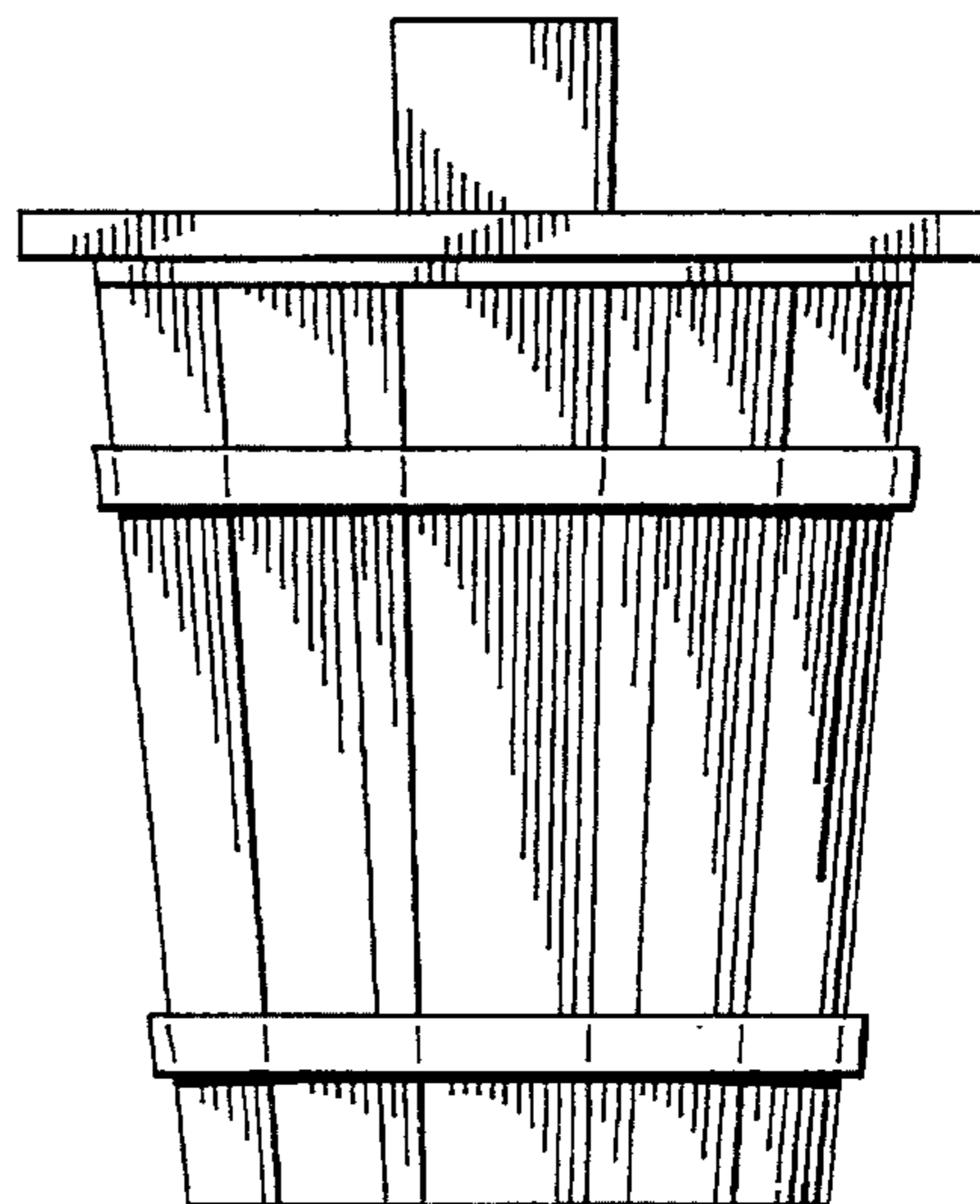


FIG. 8

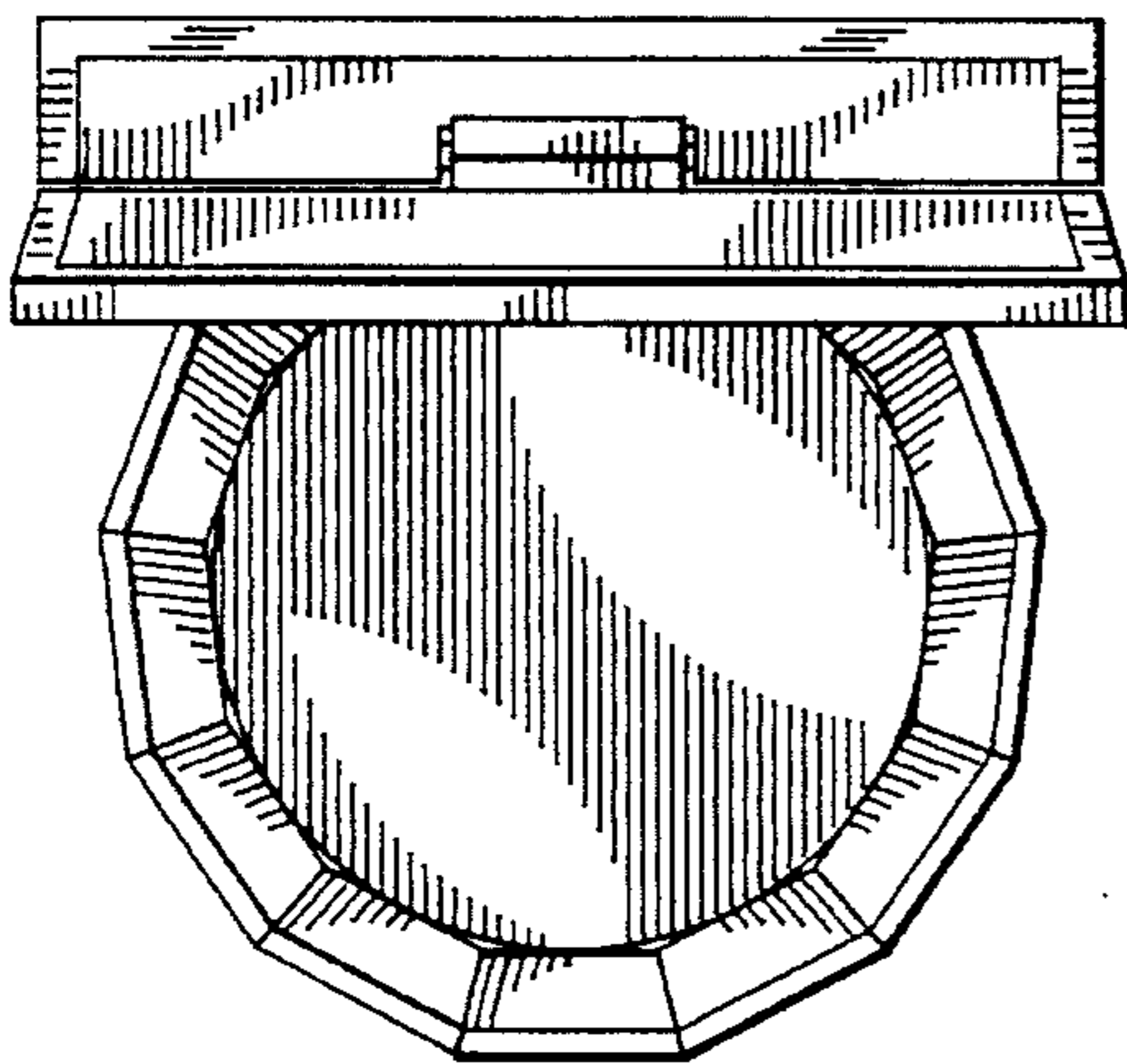


FIG. 9

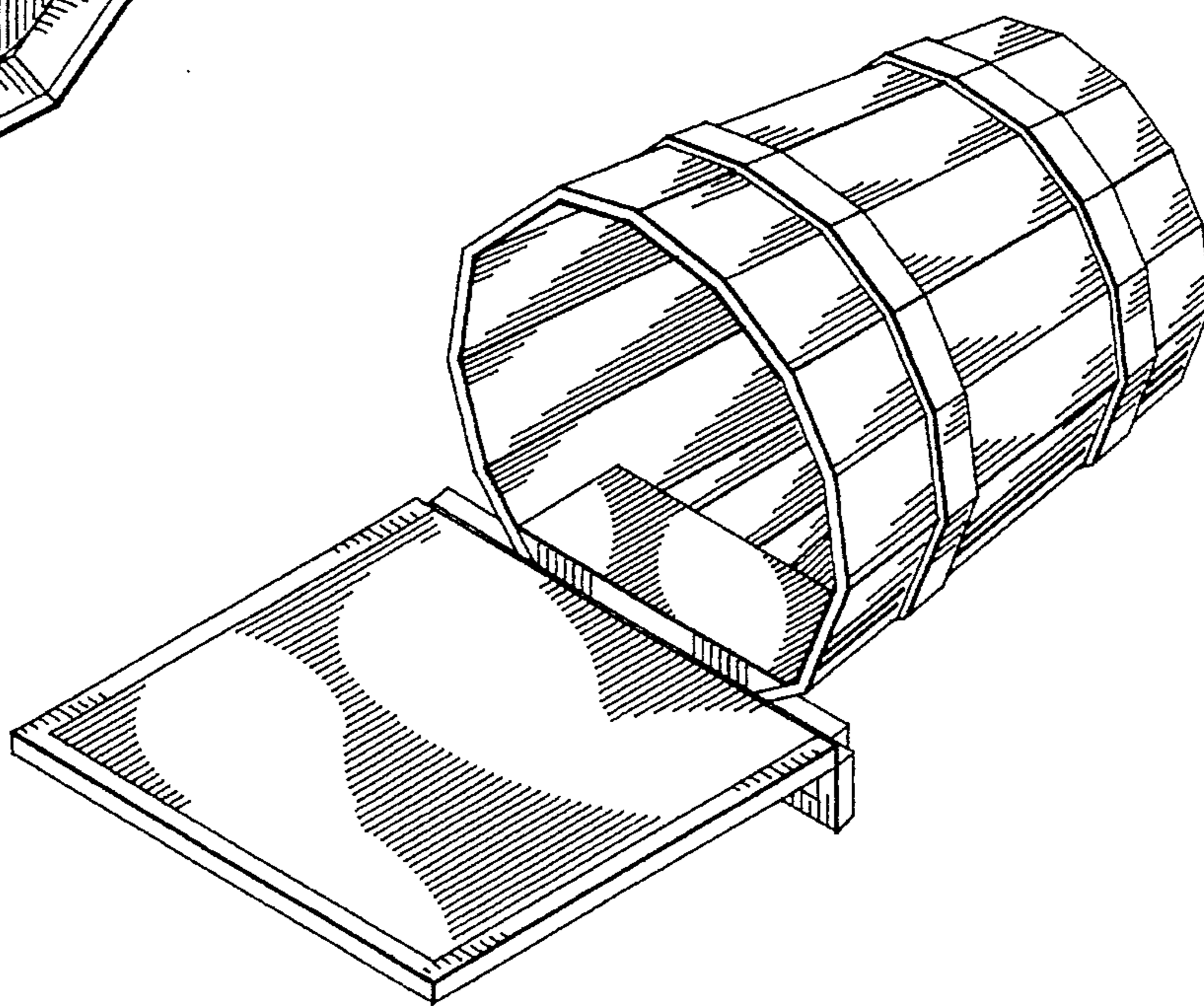


FIG. 10