



US00D363215S

United States Patent [19]

[11] Patent Number: **Des. 363,215**

Powell et al.

[45] Date of Patent: ****Oct. 17, 1995**

[54] CONTAINER

[75] Inventors: **Billy R. Powell**, Holly Springs; **Tony A. Powell**; **David R. Powell**, both of Fuquay-Varina, all of N.C.

[73] Assignee: **Powell & Powell Supply Co., Inc.**, Fuquay-Varina, N.C.

[**] Term: **14 Years**

[21] Appl. No.: **26,120**

[22] Filed: **Jul. 19, 1994**

[52] U.S. Cl. **D9/301; D9/524; D9/527**

[58] Field of Search D9/301, 516, 523, D9/524, 526, 527, 528, 531, 569, 502, 557, 341; 215/1 R, 1 C, 100 A; 220/666, 669

[56] **References Cited**

U.S. PATENT DOCUMENTS

D. 44,732	10/1913	Redington	D9/527
D. 199,374	10/1964	Choate	D9/301
D. 200,930	4/1965	Hango	D9/301

D. 248,370	7/1978	Beekenkamp	D9/524
D. 292,555	11/1987	Chesterfield	D9/301
D. 305,982	2/1990	Gillespie et al.	D9/524
D. 342,674	12/1993	Schollen et al.	D9/301 X
D. 352,659	11/1994	Nilsson et al.	D9/524 X

Primary Examiner—Ted Shooman
Assistant Examiner—Cheri Cohen
Attorney, Agent, or Firm—Rhodes, Coats & Bennett

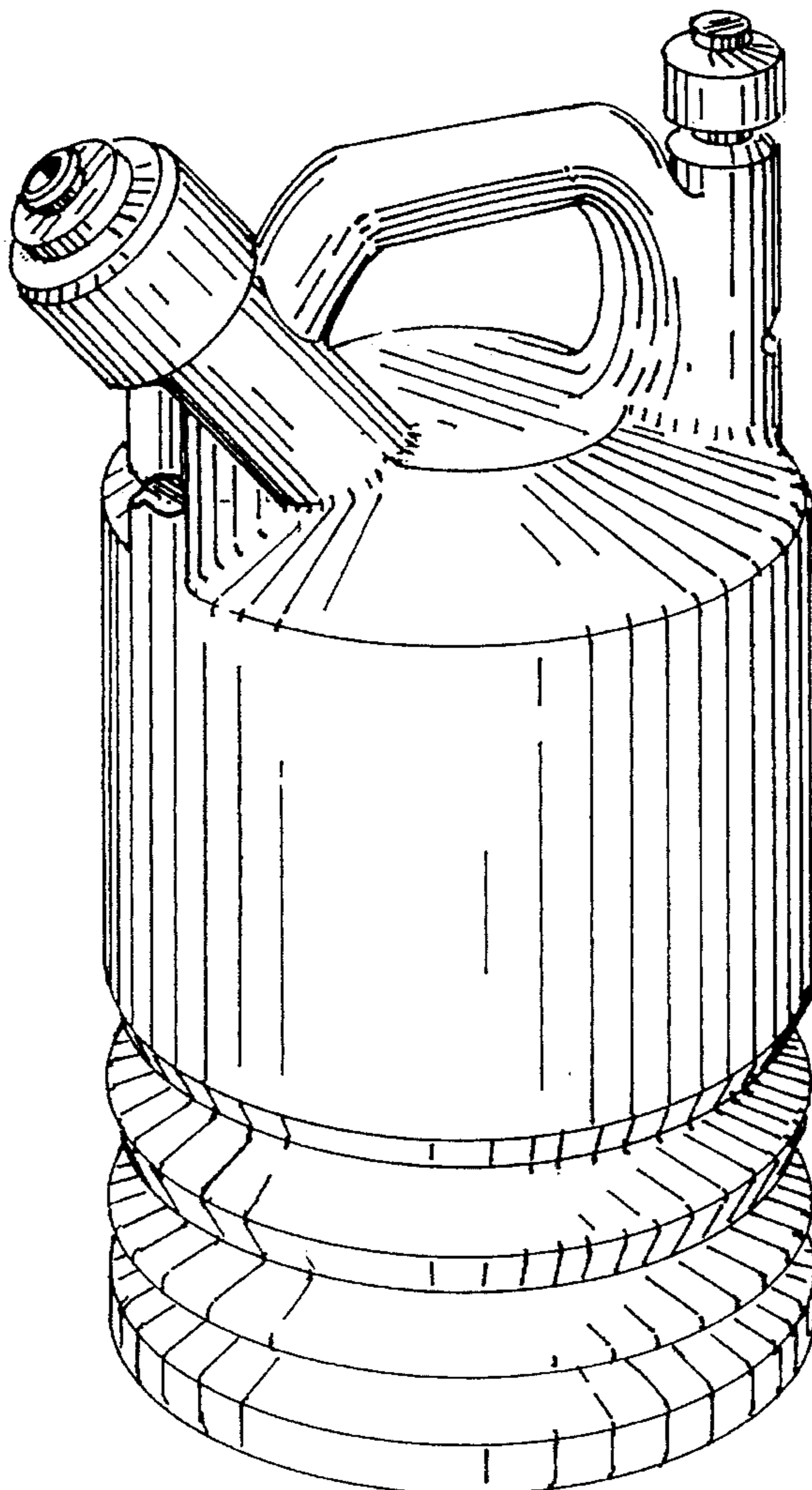
[57] **CLAIM**

The ornamental design for a container, as shown and described.

DESCRIPTION

FIG. 1 is a perspective view of a container showing our new design;
FIG. 2 is a side elevational view thereof with the opposite side being a mirror image of the same;
FIG. 3 is a front elevational view thereof;
FIG. 4 is a rear elevational view thereof;
FIG. 5 is a top plan view thereof; and,
FIG. 6 is a bottom plan view thereof.

1 Claim, 4 Drawing Sheets



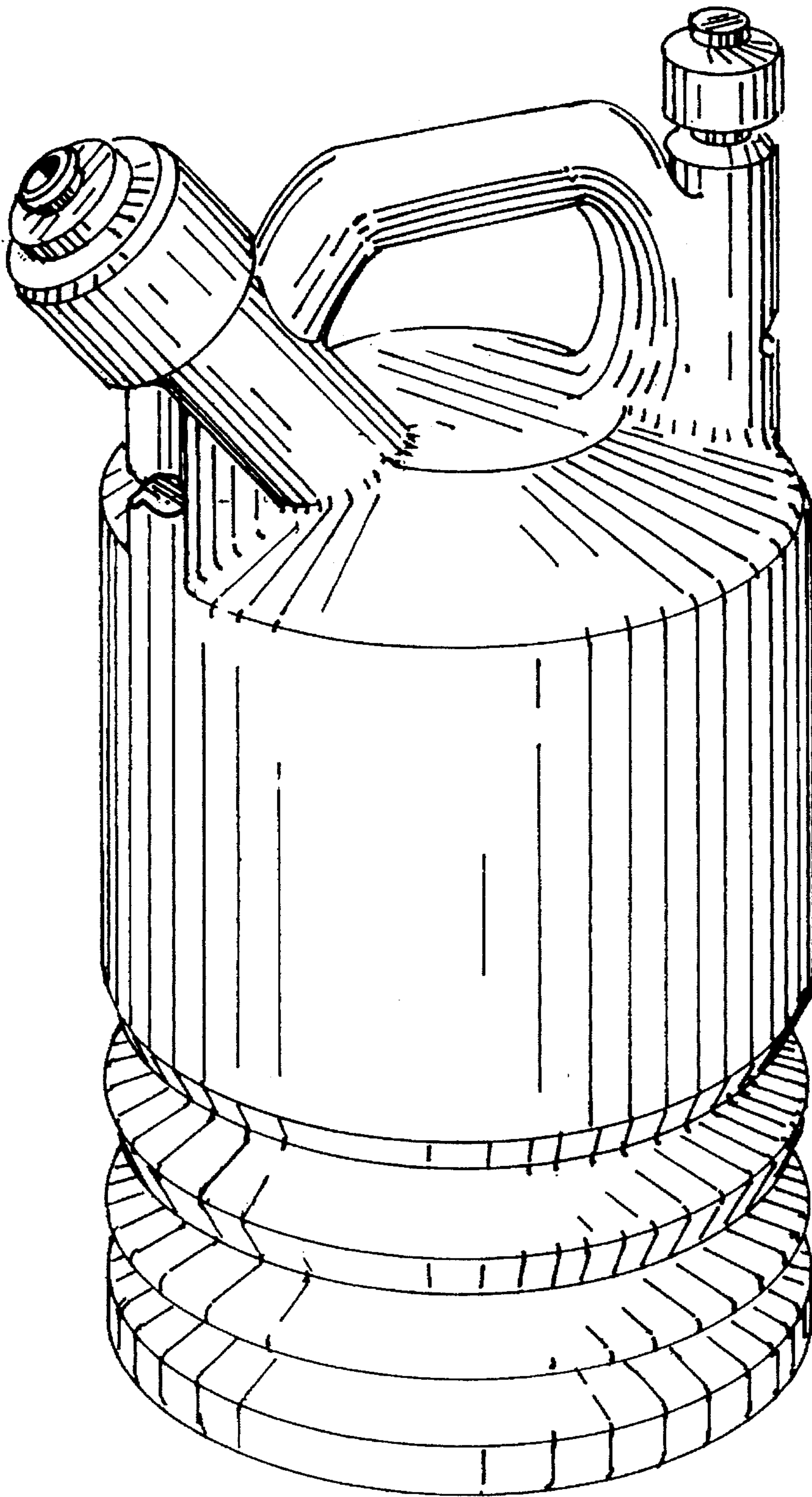


FIG. 1

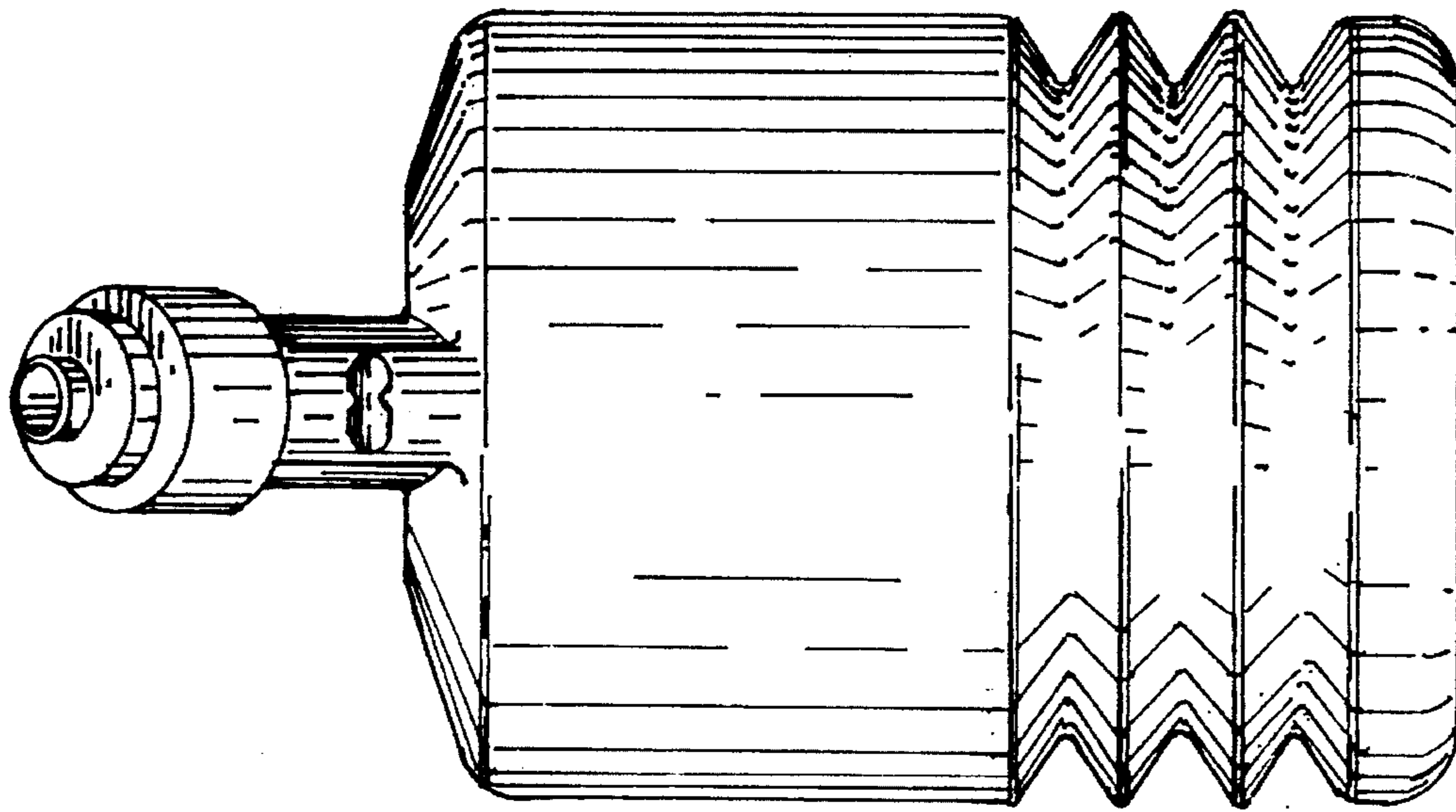


FIG. 3

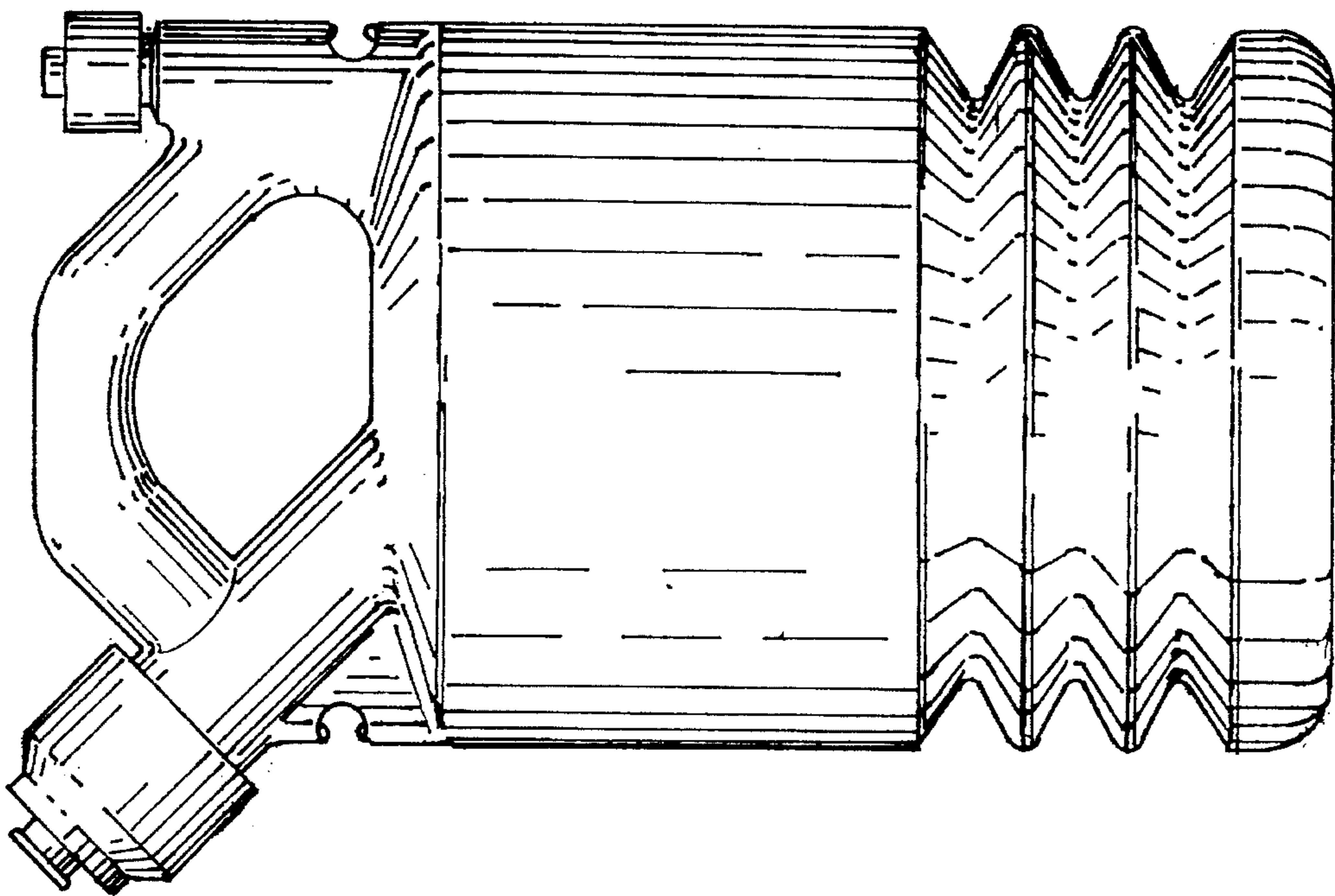


FIG. 2

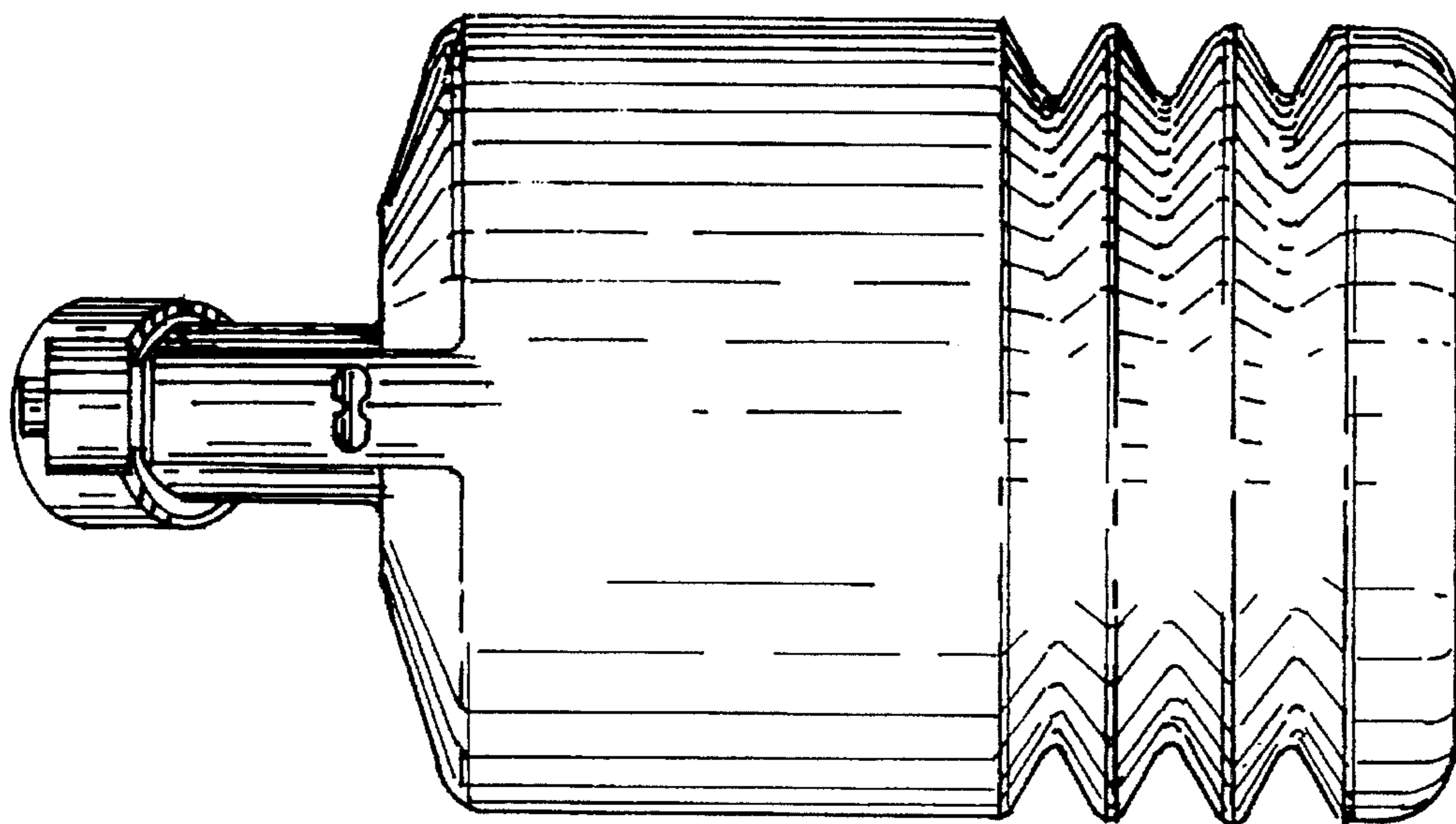


Fig. 4

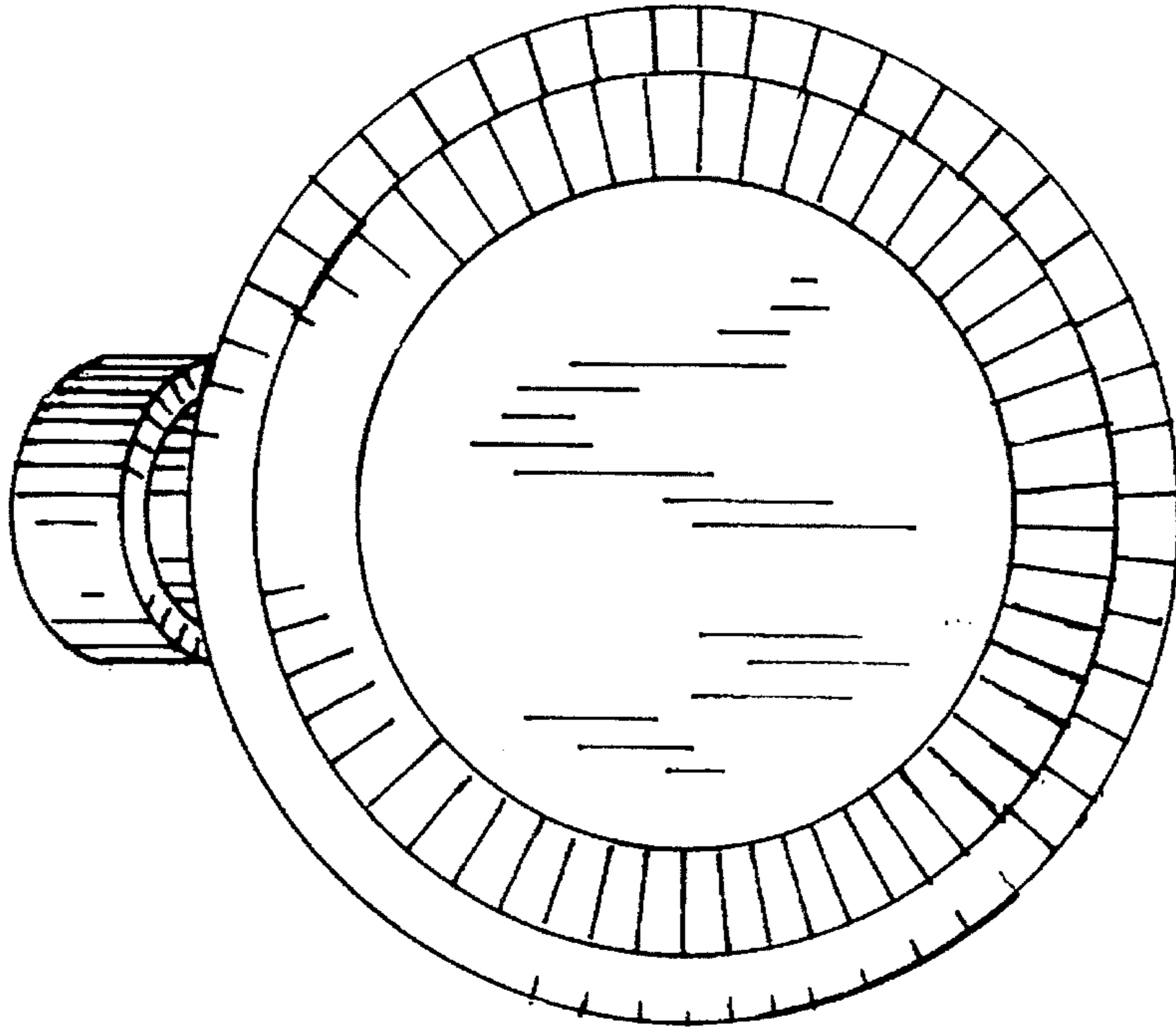


FIG. 6

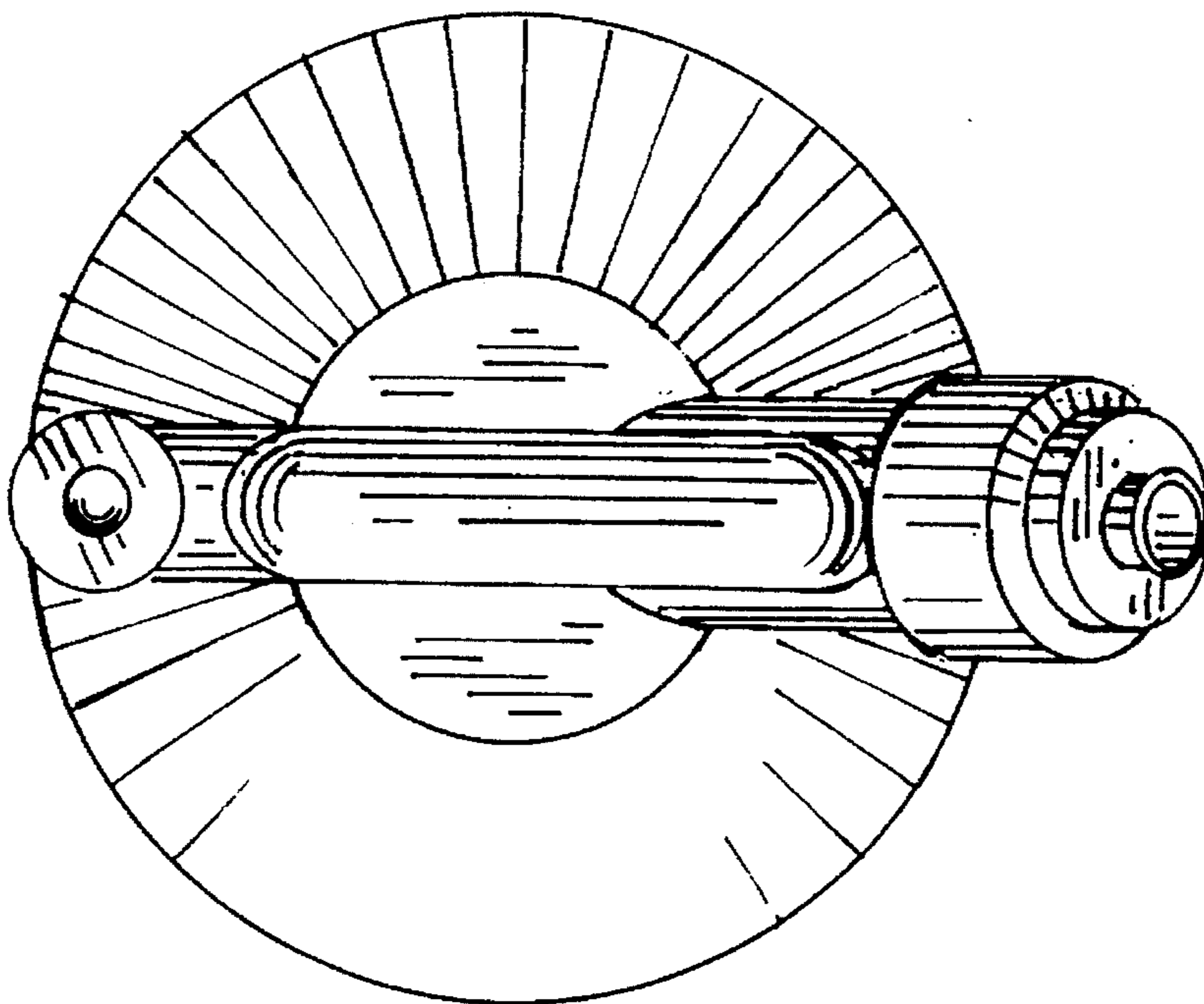


FIG. 5