



US00D363213S

United States Patent [19]

[11] Patent Number: **Des. 363,213**

Real et al.

[45] Date of Patent: ****Oct. 17, 1995**

[54] **COMBINED SLIDE AND RAIL FOR A FURNITURE CABINET**

4,974,912 12/1990 Rask et al. 312/110

[76] Inventors: **Frank Real; Francisco Real**, both of 9950 Marconi Dr. #106, Otay Mesa, Calif. 92173

Primary Examiner—Terry A. Wallace
Assistant Examiner—Nanda Bondade
Attorney, Agent, or Firm—Charles C. Logan, II

[**] Term: **14 Years**

[57] **CLAIM**

The ornamental design for a combined slide and rail for a furniture cabinet, as shown and described.

[21] Appl. No.: **16,735**

DESCRIPTION

[22] Filed: **Dec. 23, 1993**

[52] U.S. Cl. **D8/400**

[58] Field of Search D8/400; 16/233, 16/362; 312/110, 322

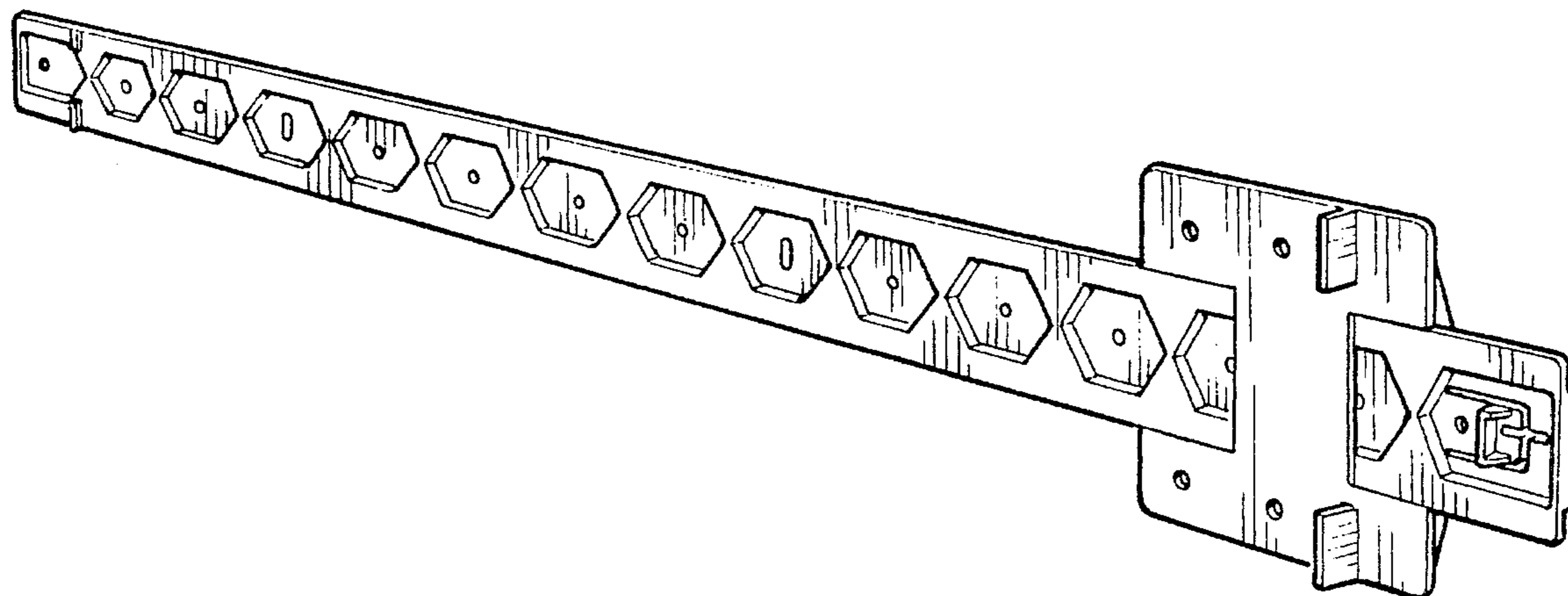
FIG. 1 is a front perspective view of a combined slide and rail for a furniture cabinet showing our new design; FIG. 2 is a front elevation view thereof; FIG. 3 is a top plan view thereof, the bottom view being a mirror image; FIG. 4 is a rear elevation view thereof; FIG. 5 is a right end view thereof; and, FIG. 6 is a left end view thereof.

[56] **References Cited**

U.S. PATENT DOCUMENTS

| | | | | |
|-----------|---------|-------------------|---------|---|
| 4,712,842 | 12/1987 | Price et al. | 312/233 | X |
| 4,729,612 | 3/1988 | Stone | 312/110 | X |
| 4,840,441 | 6/1989 | Tsay | 312/233 | X |

1 Claim, 1 Drawing Sheet



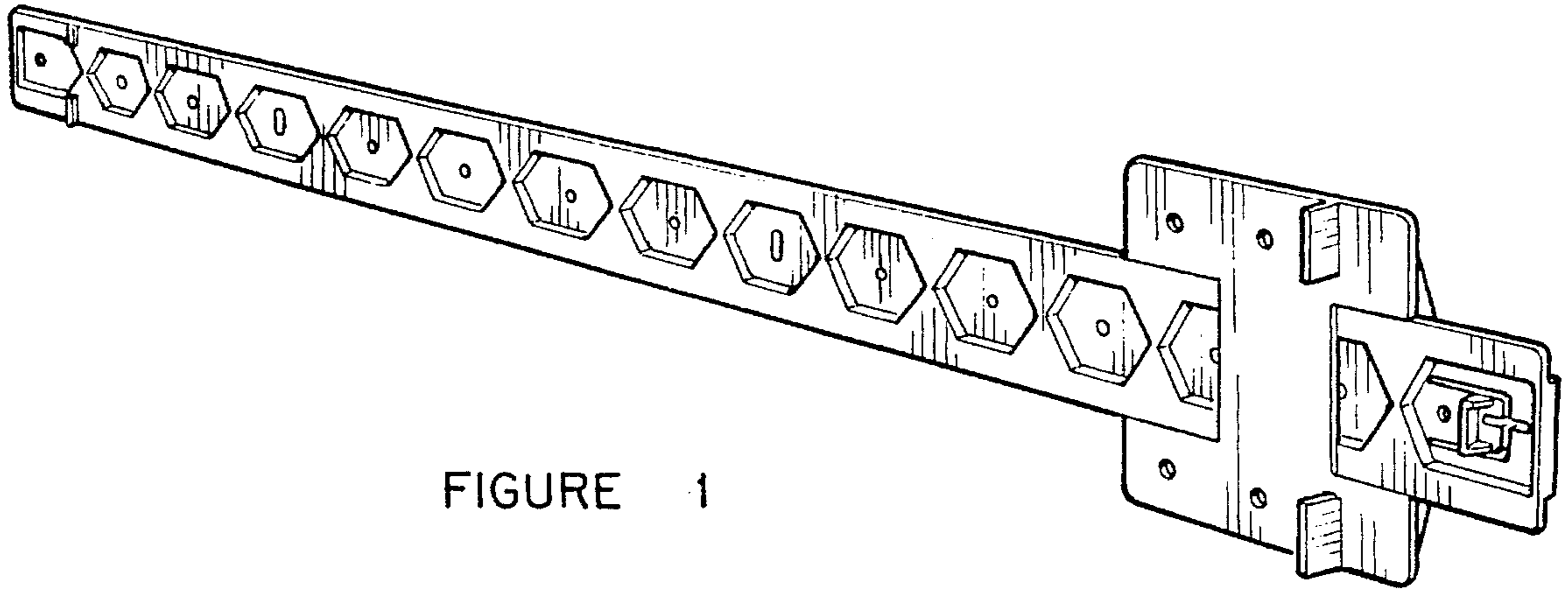


FIGURE 1

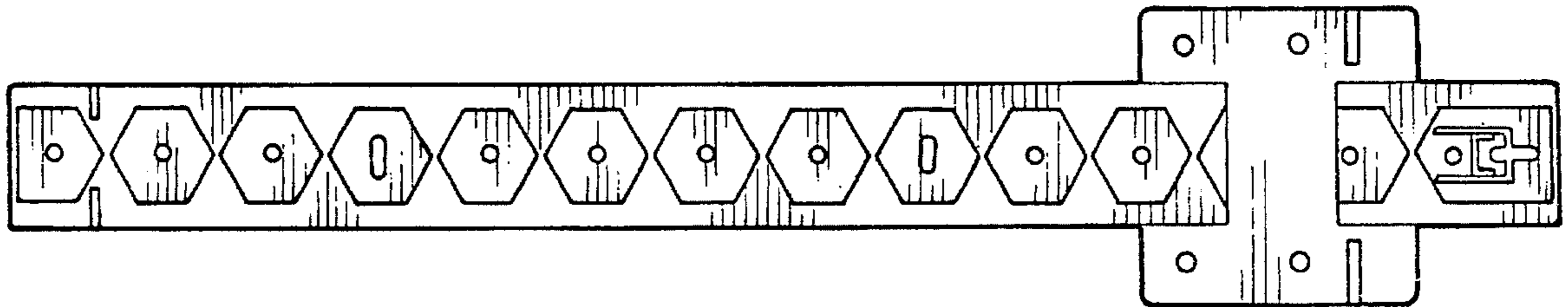


FIGURE 2

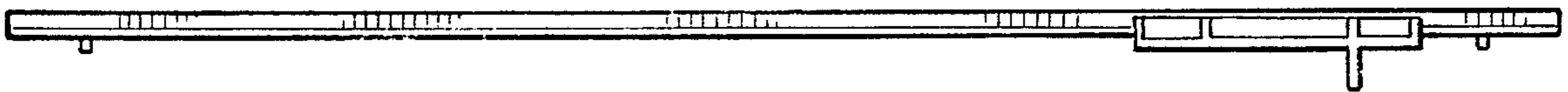


FIGURE 3

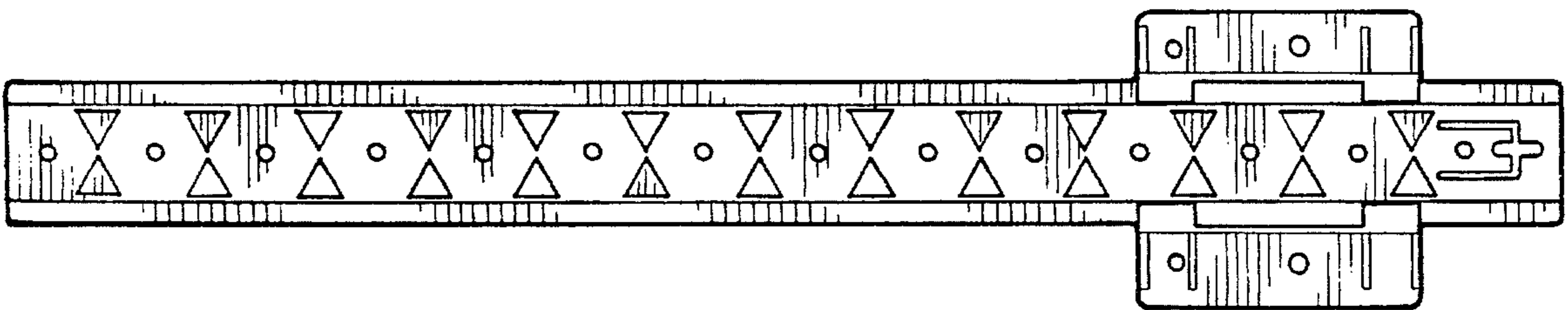


FIGURE 4



FIGURE 5



FIGURE 6