



US00D363211S

United States Patent [19] Noble

[11] Patent Number: **Des. 363,211**

[45] Date of Patent: ****Oct. 17, 1995**

[54] **CLIP FOR A BOTTLE AND A SYRINGE**

3,521,332	7/1970	Kramer	248/229	X
4,883,290	11/1989	Landa	24/336	X
5,288,047	2/1994	Pan	248/229	

[75] Inventor: **Terrance O. Noble**, Burnsville, Minn.

[73] Assignee: **Apothecary Products, Inc.**, Burnsville, Minn.

Primary Examiner—Lucy Lieberman
Attorney, Agent, or Firm—Merchant, Gould, Smith, Edell, Welter & Schmidt

[**] Term: **14 Years**

[57] **CLAIM**

[21] Appl. No.: **36,104**

The ornamental design for a clip for a bottle and a syringe, as shown and described.

[22] Filed: **Mar. 13, 1995**

DESCRIPTION

Related U.S. Application Data

[63] Continuation-in-part of Ser. No. 24,760, Jun. 21, 1994.
 [52] **U.S. Cl.** **D8/395**; D9/434; D8/371
 [58] **Field of Search** D8/394, 395, 396, D8/373, 371; D9/434, 455, 499, 337; D24/128, 127; 215/390; 248/229, 541; 24/336, 339

FIG. 1 is a perspective view of the front, top and side of the inventive clip for a bottle and a syringe;
 FIG. 2 is a top plan view of the clip for a bottle and a syringe;
 FIG. 3 is a side elevation of one side of the clip for a bottle and a syringe, the opposite side being symmetrically identical;
 FIG. 4 is a rear elevation thereof; and,
 FIG. 5 is a front elevation thereof.

[56] **References Cited**

U.S. PATENT DOCUMENTS

D. 253,457	11/1979	Sandel	D8/395
D. 262,689	1/1982	Beck	D8/396
D. 295,725	5/1988	Shioda	D8/396
612,296	10/1898	Woodward	215/390 X

The broken lines showing a bottle and a syringe in FIG. 1 are for illustrative purposes only and do not form part of the claimed design.

1 Claim, 2 Drawing Sheets

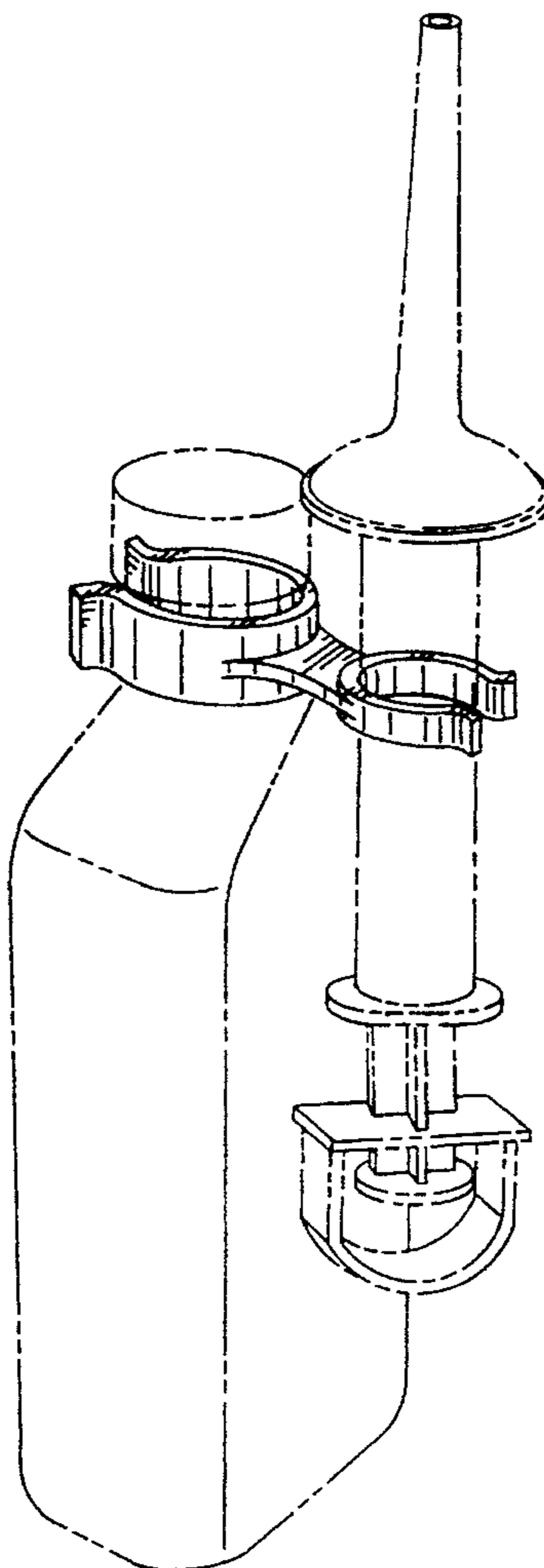


FIG. 1

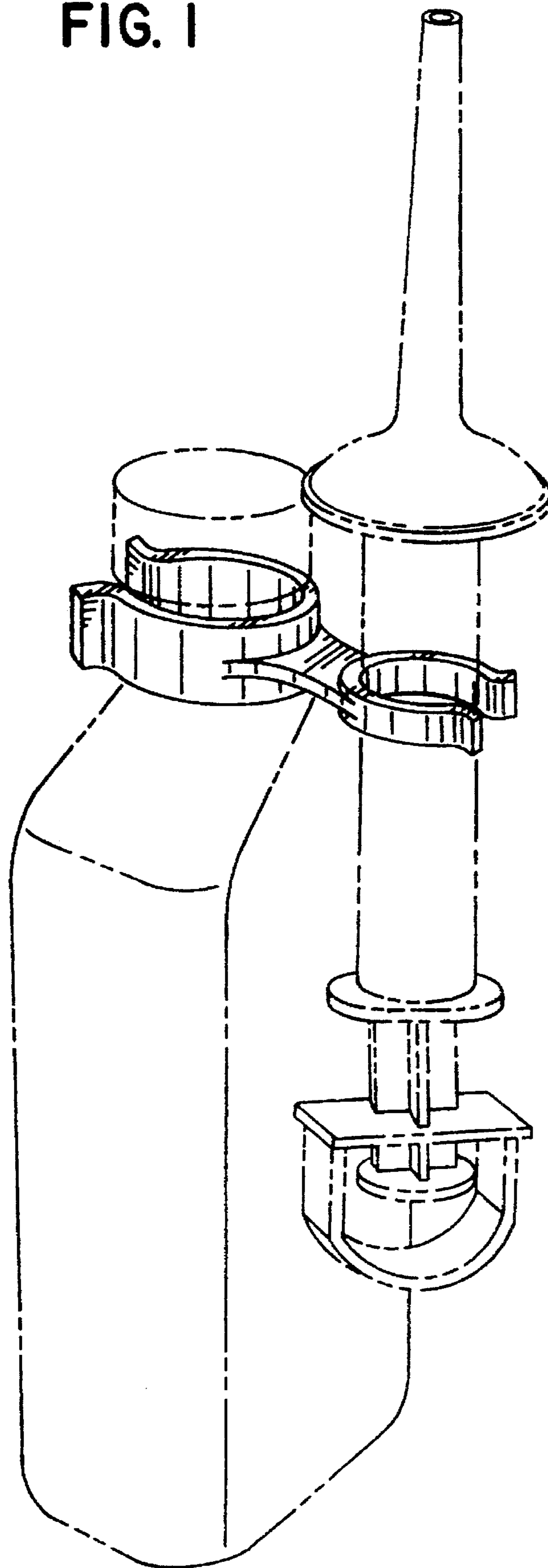


FIG. 2

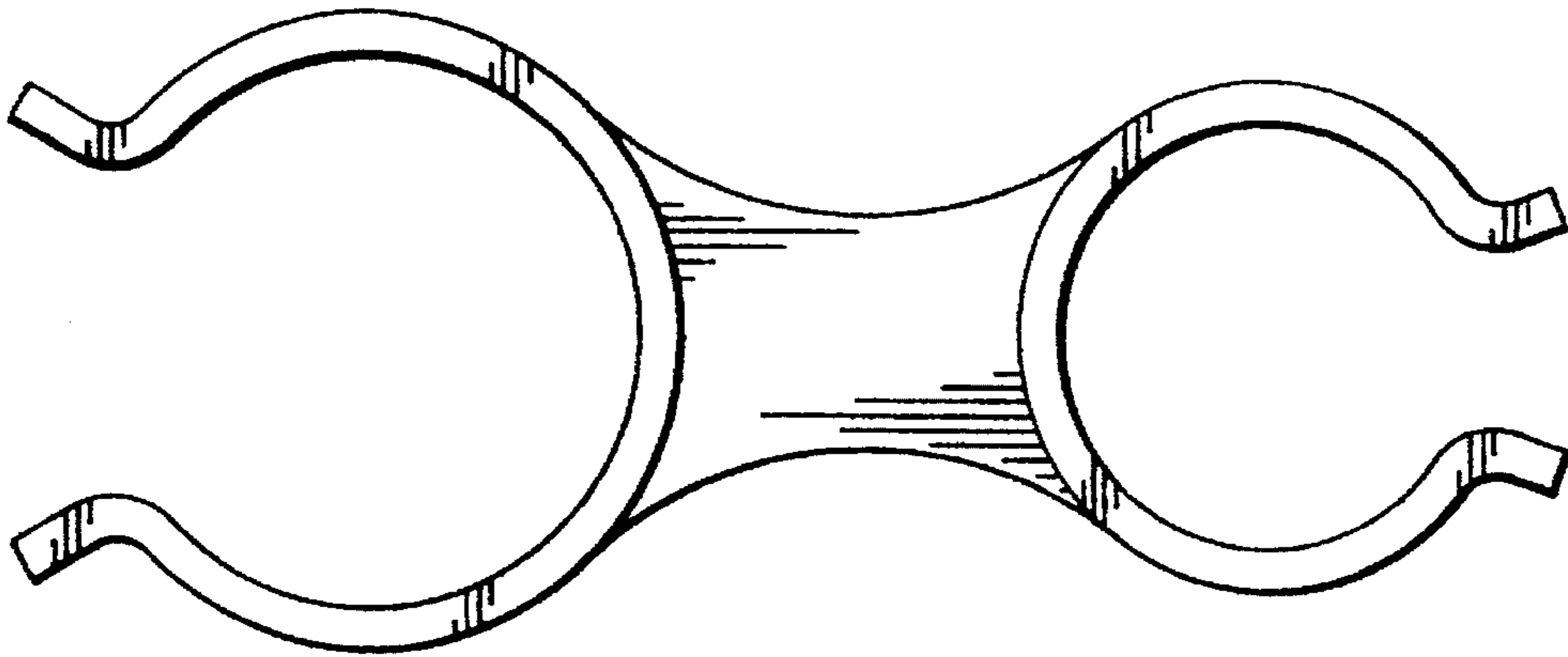


FIG. 3

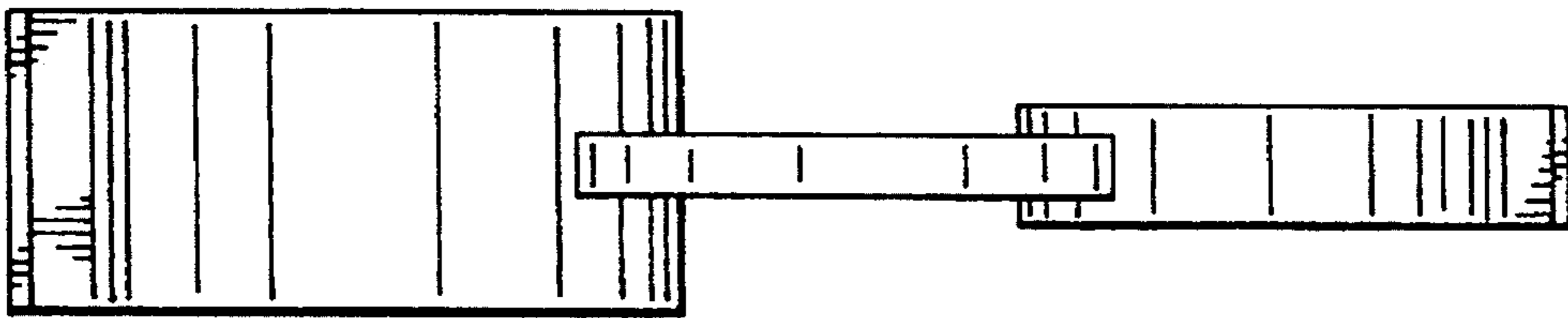


FIG. 4

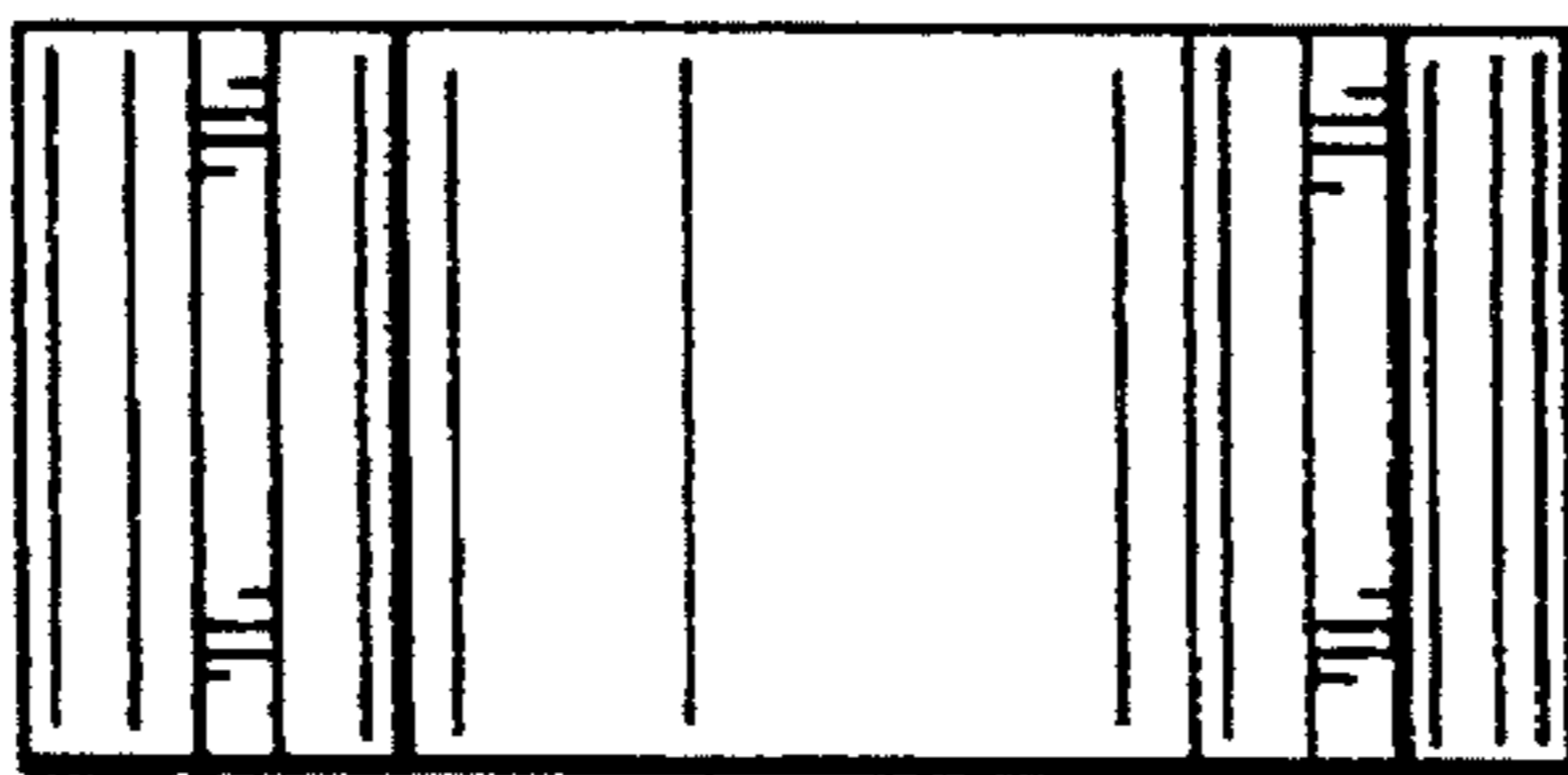


FIG. 5

