



US00D363210S

United States Patent [19]

Scanlan et al.

[11] Patent Number: **Des. 363,210**

[45] Date of Patent: ****Oct. 17, 1995**

[54] **MULTI-PURPOSE WALL-MOUNTABLE EQUIPMENT HOLDER WITH ELASTIC RESTRAINT**

[76] Inventors: **Michael B. Scanlan; Debra S. Scanlan**, both of 534 Margaret St., Neptune Beach, Fla. 32266

[**] Term: **14 Years**

[21] Appl. No.: **18,142**

[22] Filed: **Jan. 31, 1994**

[52] U.S. Cl. **D8/380**

[58] Field of Search D8/380, 349, 354, D8/394-396; 248/74.1-74.3, 62-63, 68.1

[56] **References Cited**

U.S. PATENT DOCUMENTS

2,699,462	1/1955	Exner	D8/356	X
2,905,743	9/1959	Sylvester	248/74.1	X
4,360,177	11/1982	Dulhunty	248/63	
5,188,319	2/1993	Nawash et al.	248/68.1	

Primary Examiner—James M. Gandy
Assistant Examiner—Holly Baynham

Attorney, Agent, or Firm—David L. Baker; Rhodes & Ascolillo

[57] **CLAIM**

The ornamental design for a multi-purpose wall-mountable equipment holder with elastic restraint, as shown and described.

DESCRIPTION

FIG. 1 is a perspective view of a multi-purpose wall-mountable equipment holder with elastic restraint showing my new design therefor. The broken line drawing representing a rod-like article is for illustrative purposes and forms no part of my design;

FIG. 2 is a front elevational view with the elastic restraint released to show the design features of the restraint channel;

FIG. 3 is a rear elevational view;

FIG. 4 is a top plan view;

FIG. 5 is a left side elevational view, the right side elevational view being a mirror image thereof; and,

FIG. 6 is a bottom plan view.

The partial showing of the cross-hatched shading on the elastic restraint is understood to cover the entire surface.

1 Claim, 3 Drawing Sheets

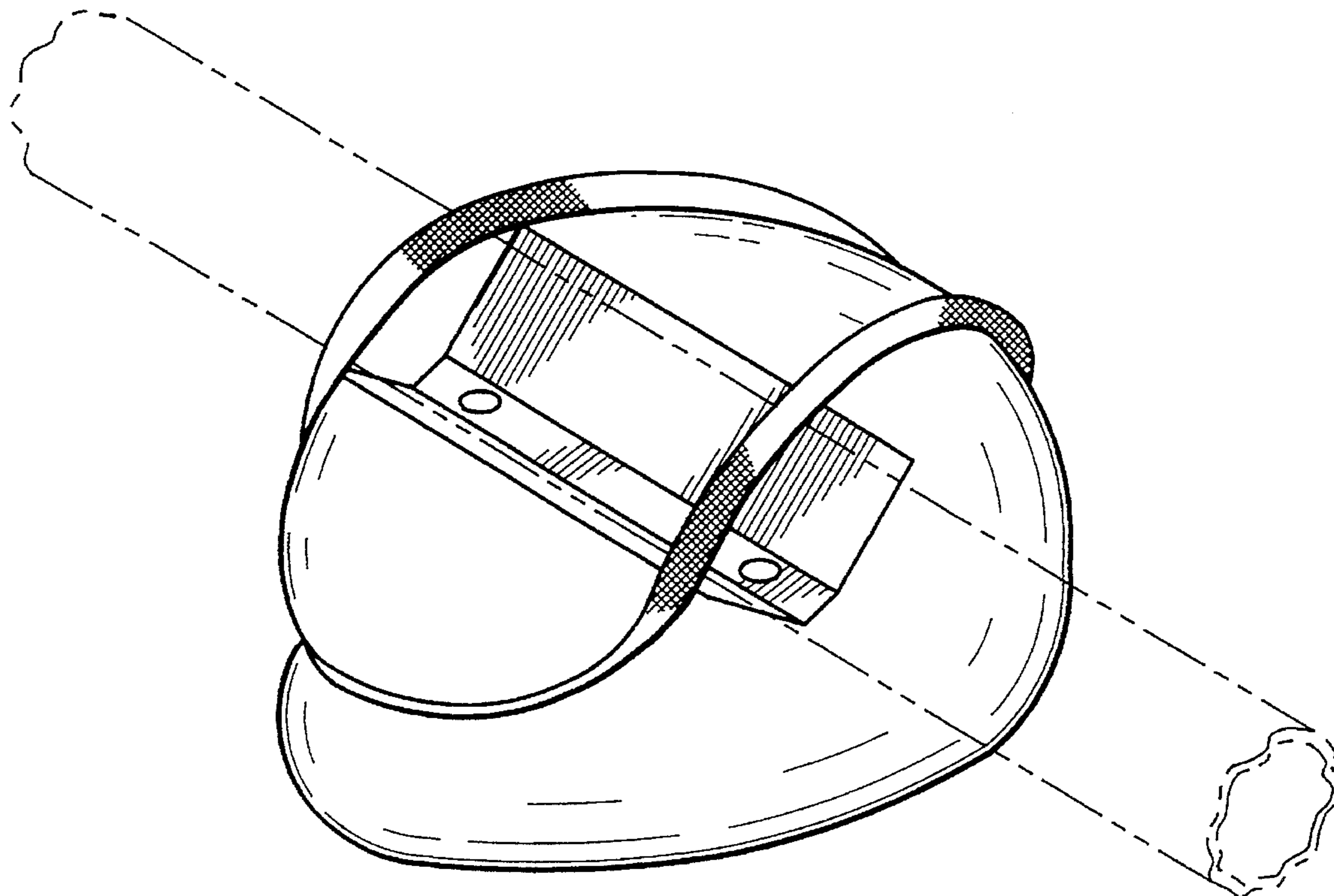


FIG. 1

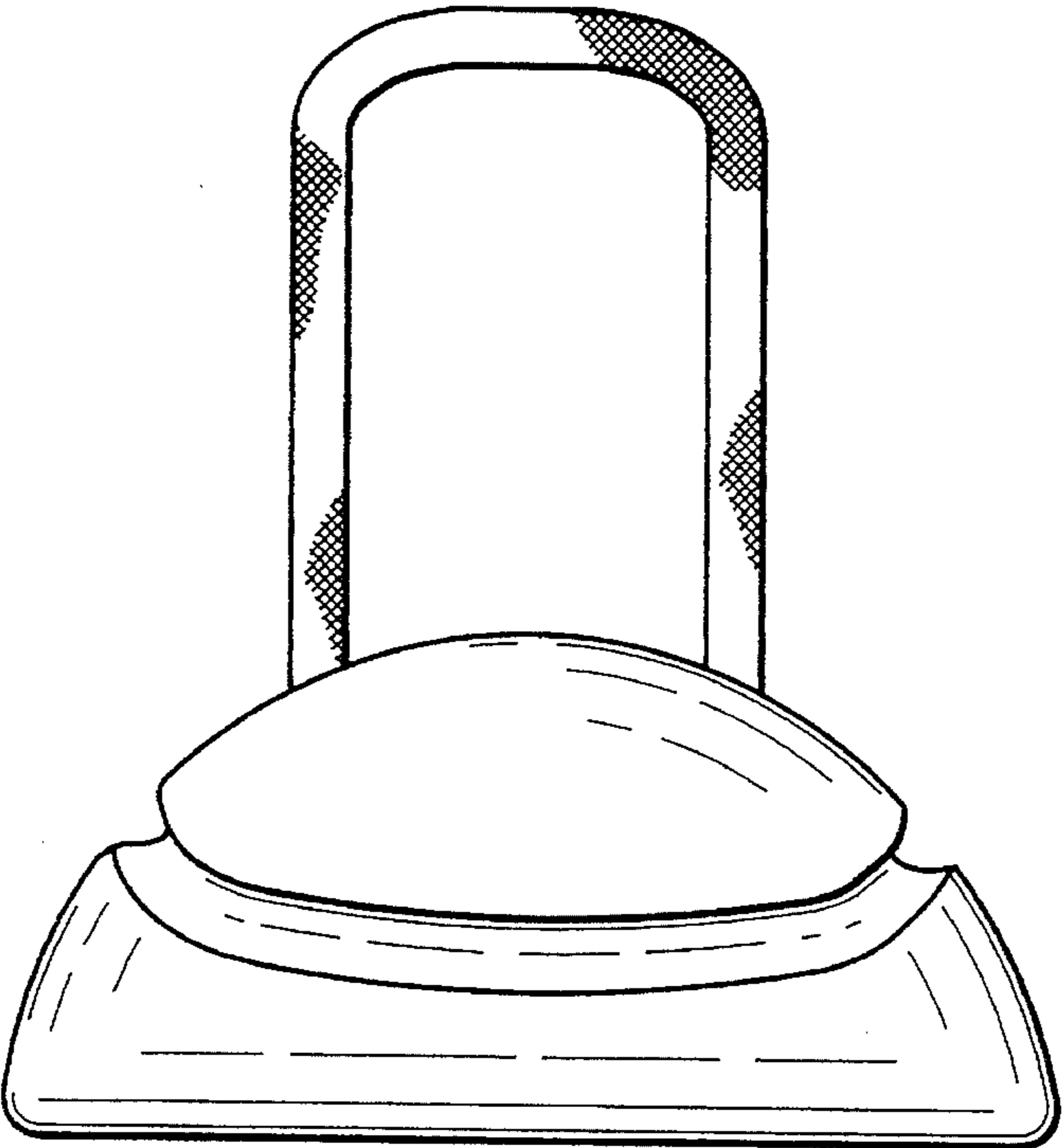
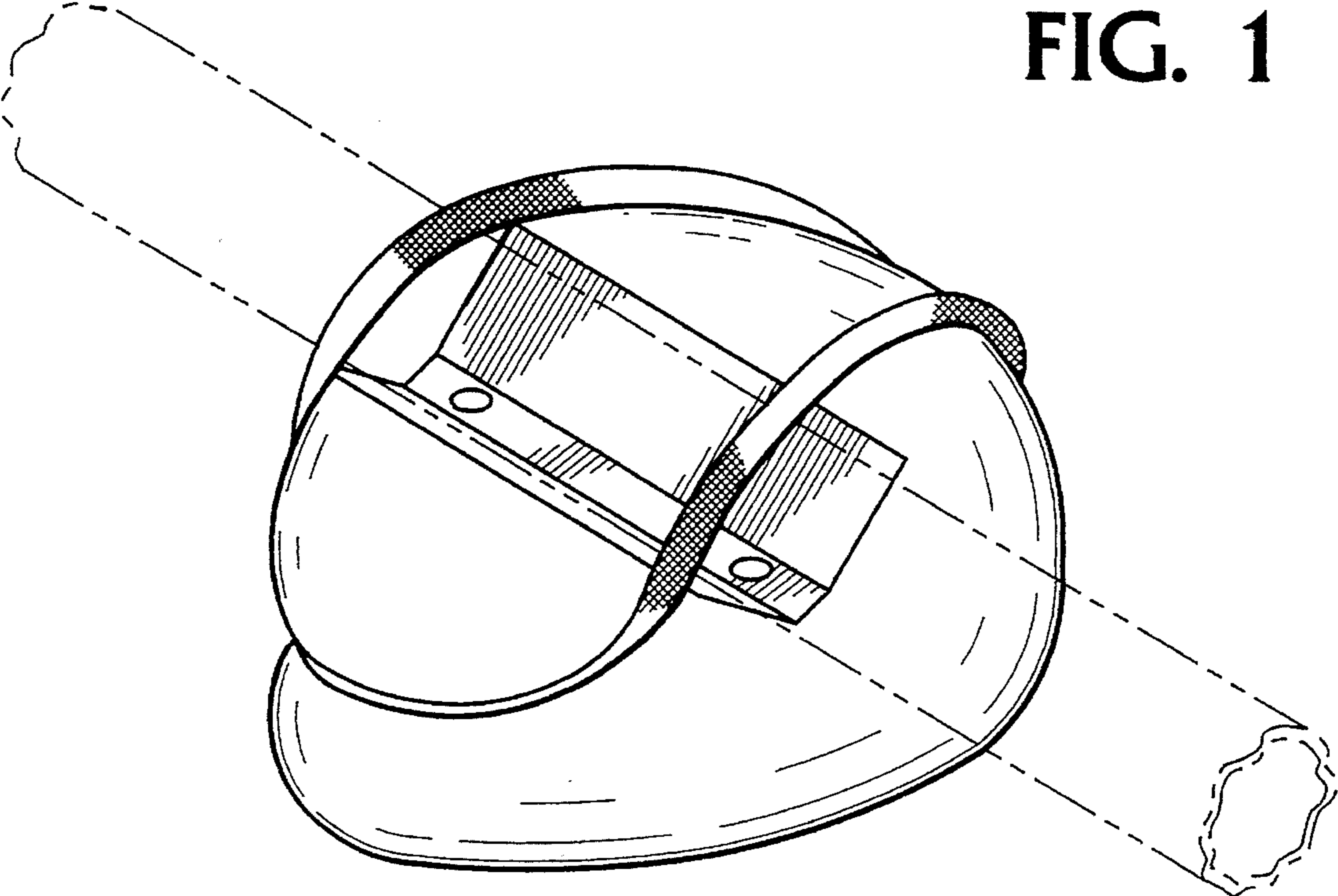


FIG. 2

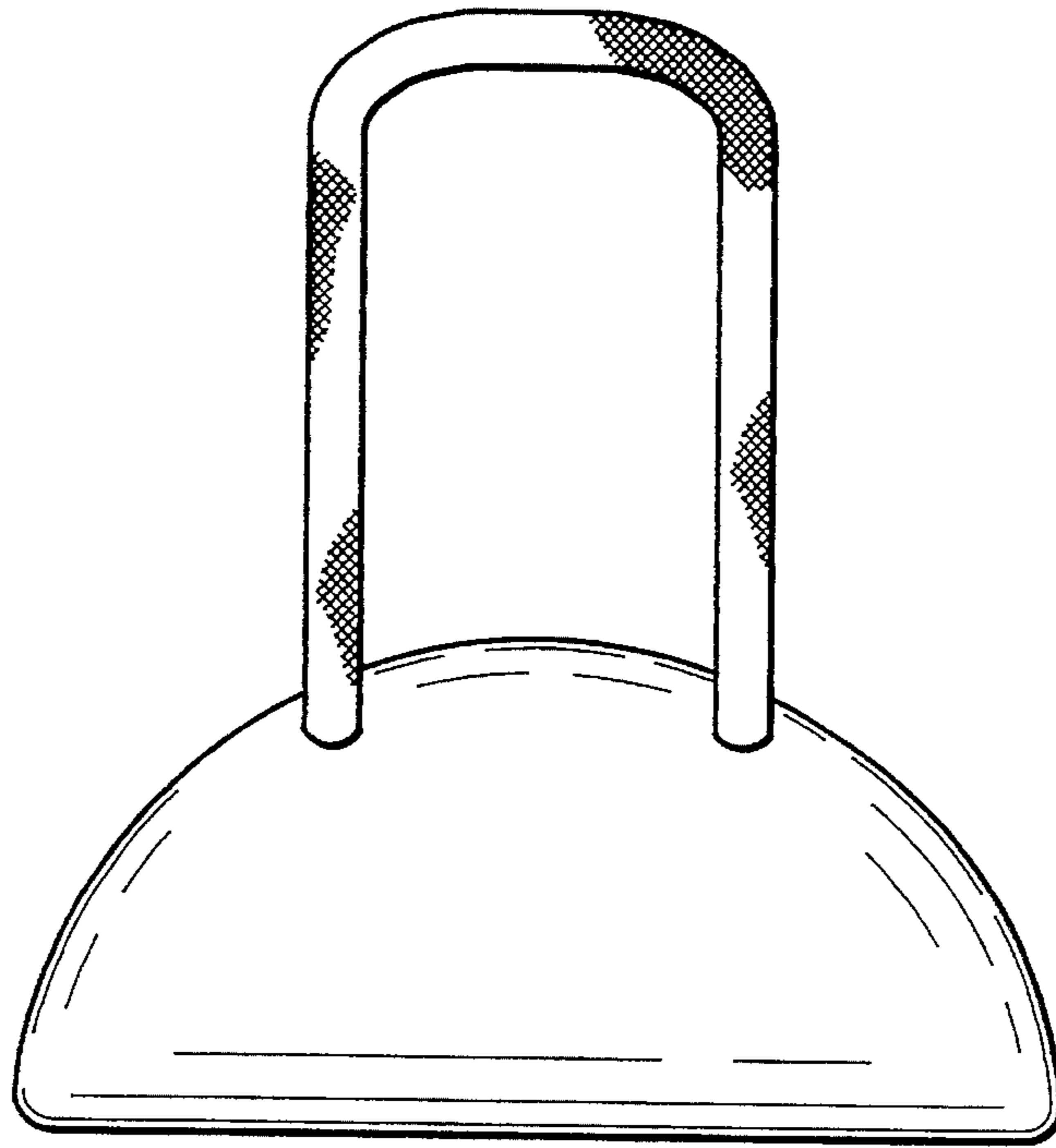


FIG. 3

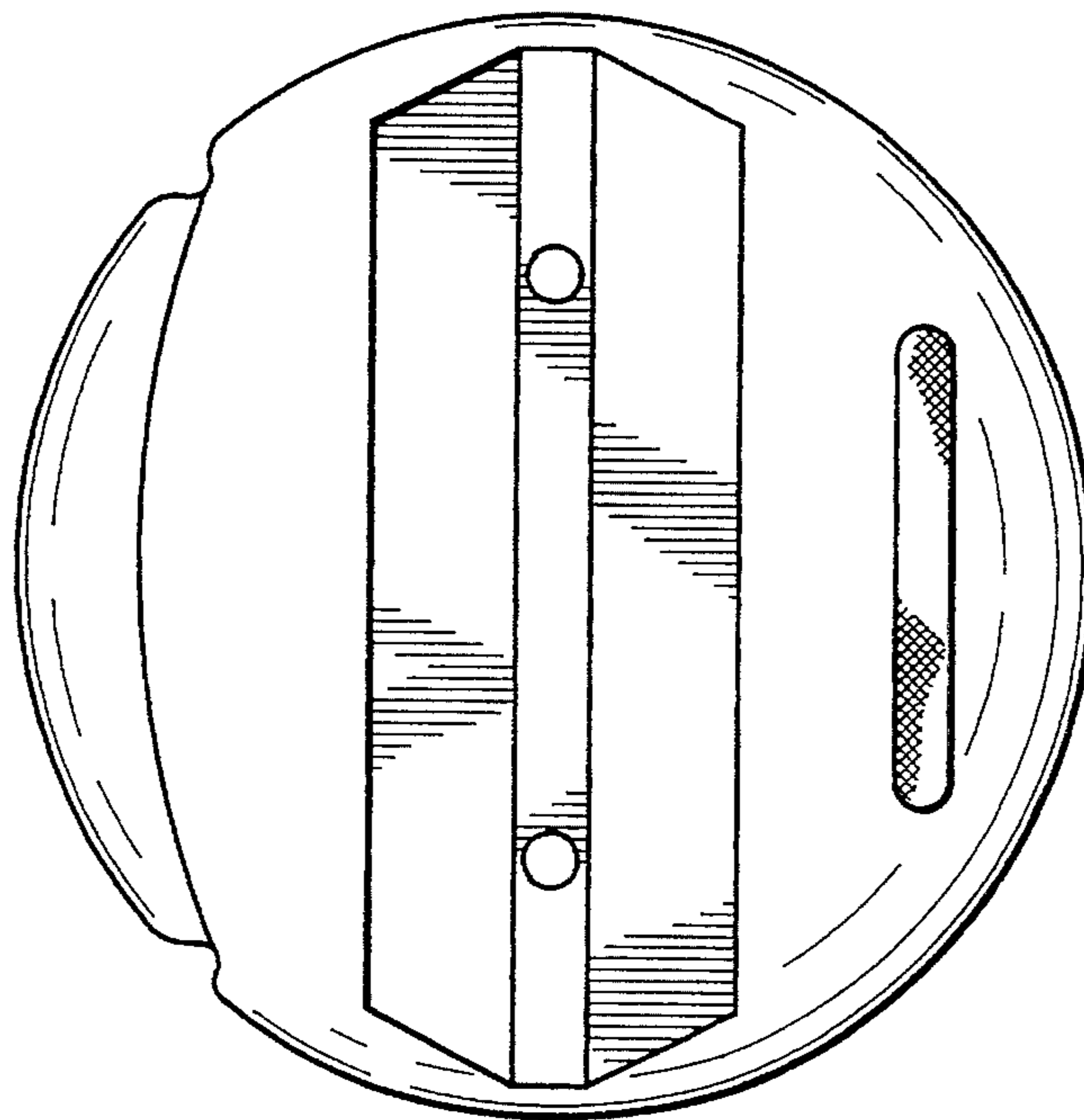


FIG. 4

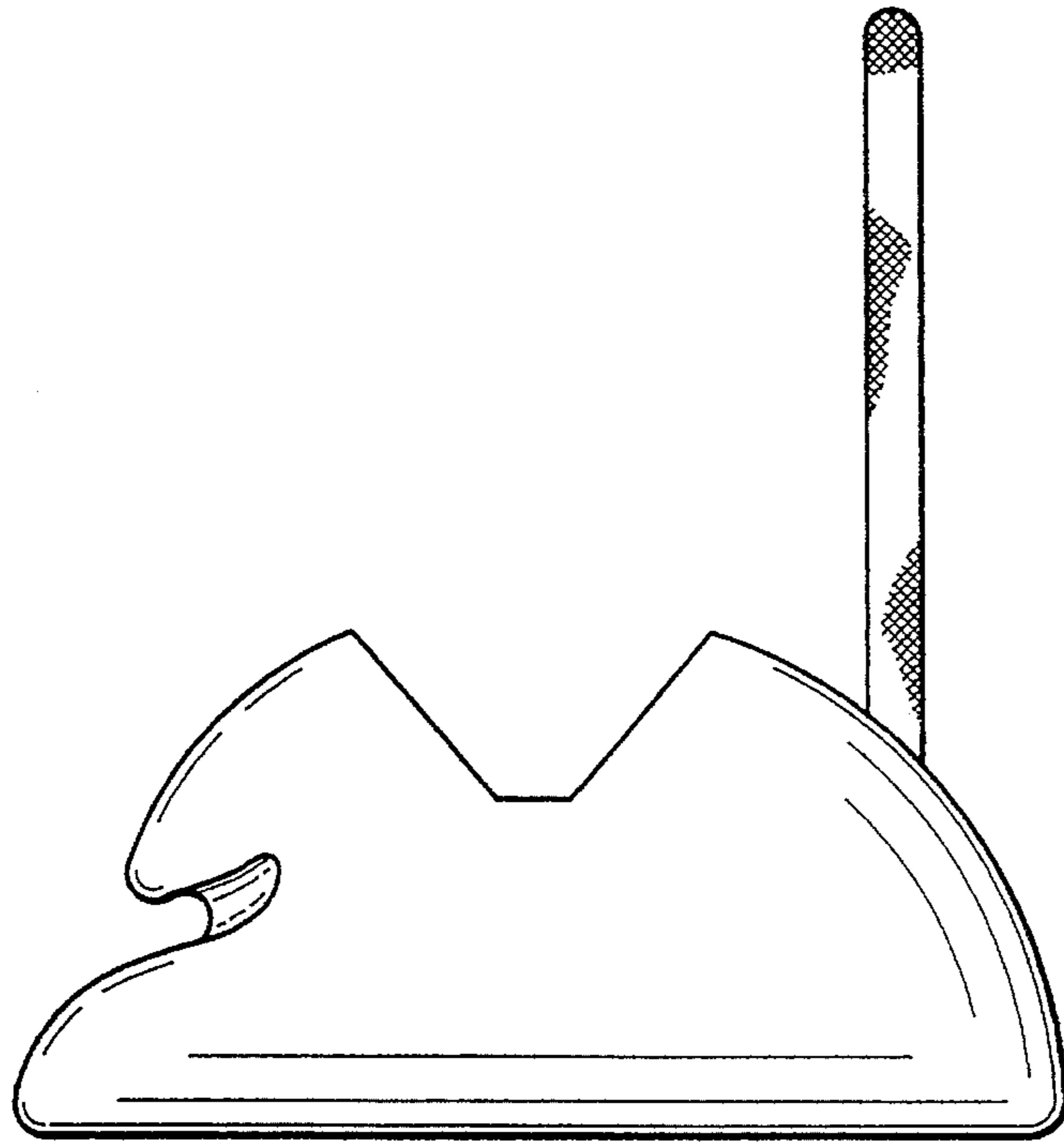


FIG. 5

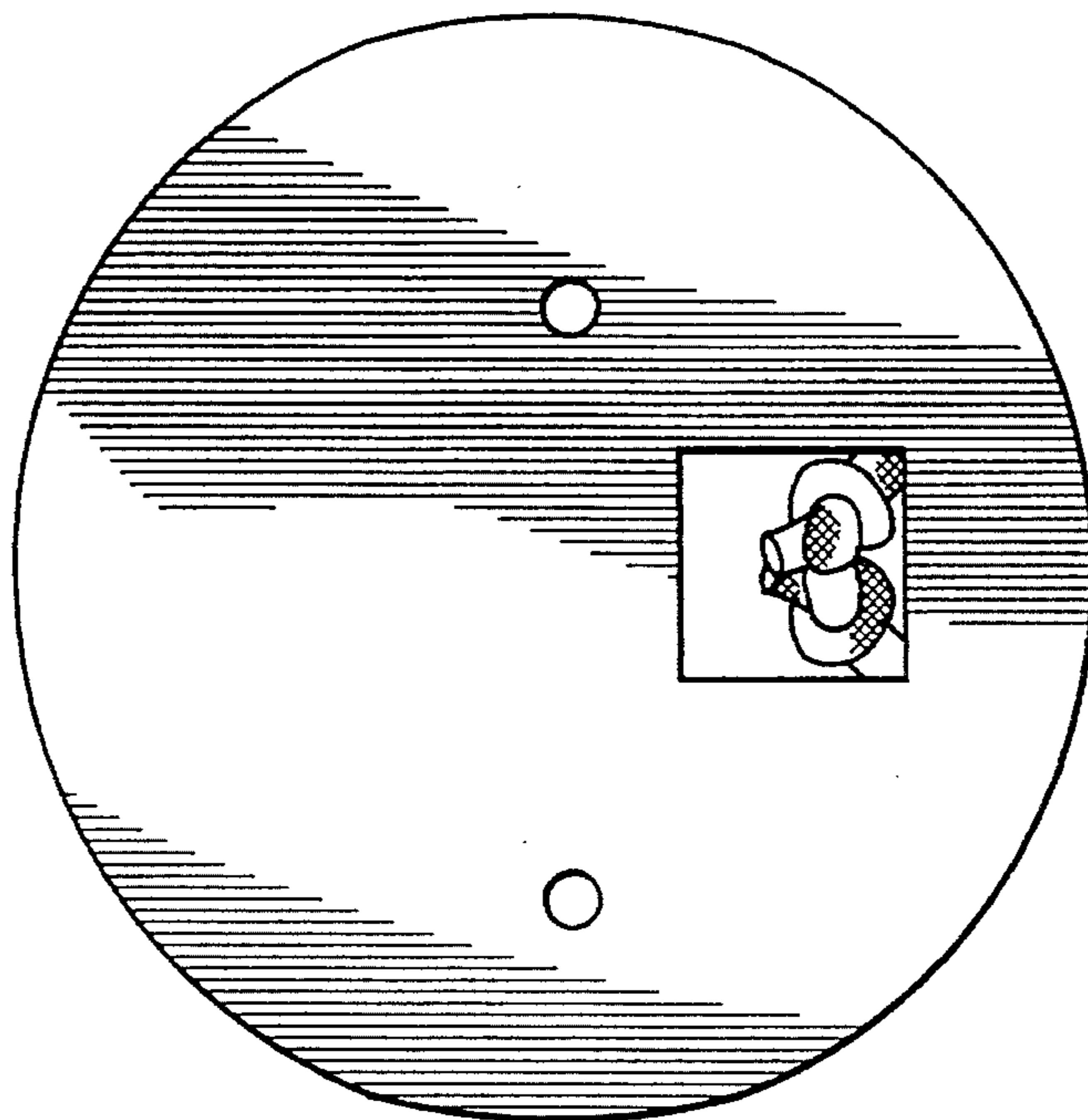


FIG. 6