



US00D363209S

# United States Patent [19] Murphy

[11] Patent Number: **Des. 363,209**  
[45] Date of Patent: **\*\*Oct. 17, 1995**

[54] ATTACHABLE CASTER UNIT  
[76] Inventor: **Thomas V. Murphy**, 51 Fox Hedge Rd., Saddle River, N.J. 07458  
[\*\*] Term: **14 Years**

4,743,038 5/1988 Myers et al. .... 190/18 A X  
4,772,035 9/1988 Danial .  
4,995,487 2/1991 Plath ..... 190/18 A  
5,105,919 4/1992 Bomes et al. .... 190/18 A  
5,125,675 6/1992 Engelbrecht .

[21] Appl. No.: **29,545**  
[22] Filed: **Oct. 7, 1994**  
[52] U.S. Cl. .... **D8/375**  
[58] Field of Search ..... D8/375; 16/18 CG, 16/18 R, 45, 30; 190/18 A

*Primary Examiner*—A. Hugo Word  
*Assistant Examiner*—Holly Baynham  
*Attorney, Agent, or Firm*—Schweitzer Cornman & Gross

### [57] CLAIM

The ornamental design for an attachable caster unit, as shown and described.

### [56] References Cited

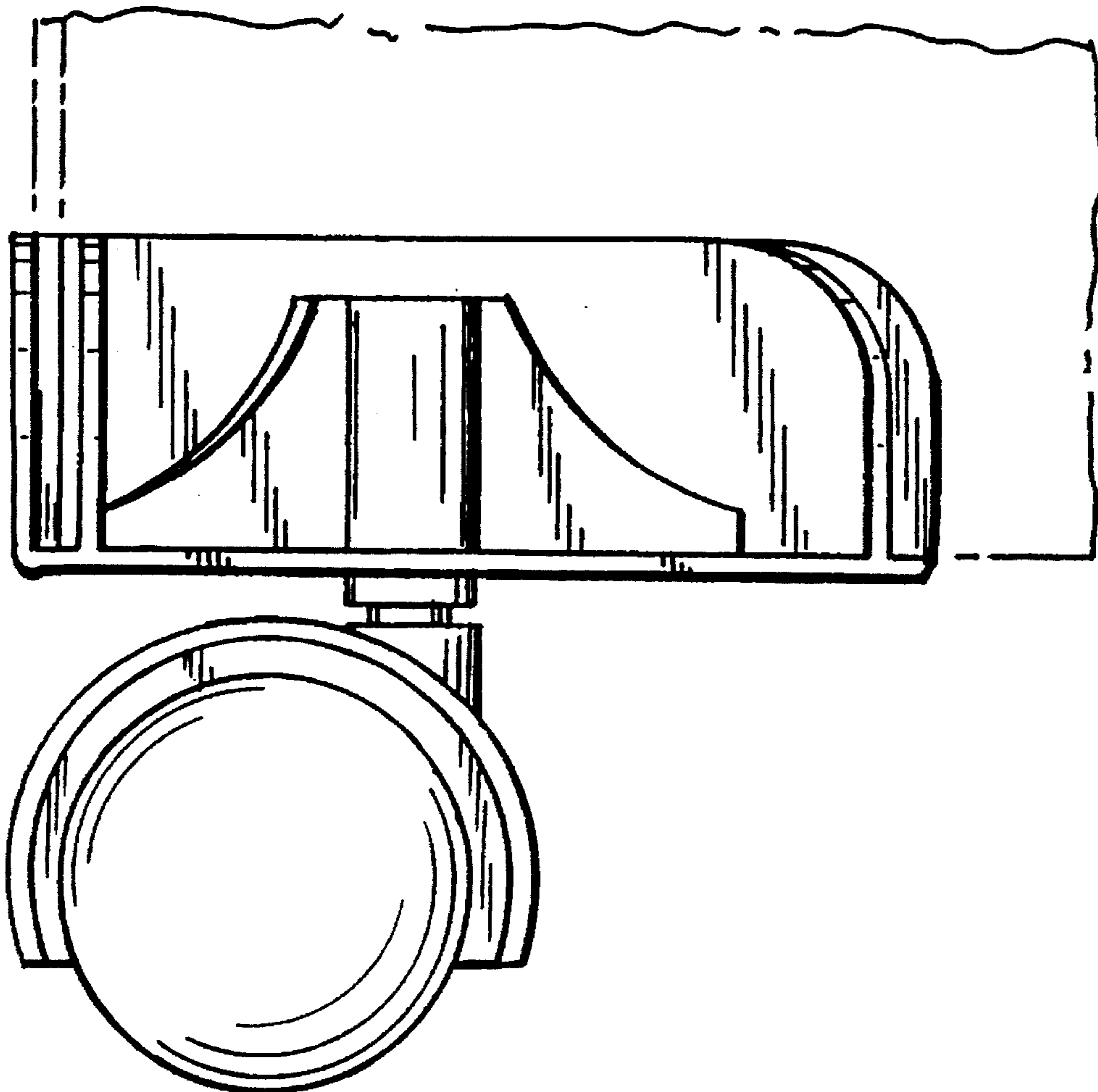
### DESCRIPTION

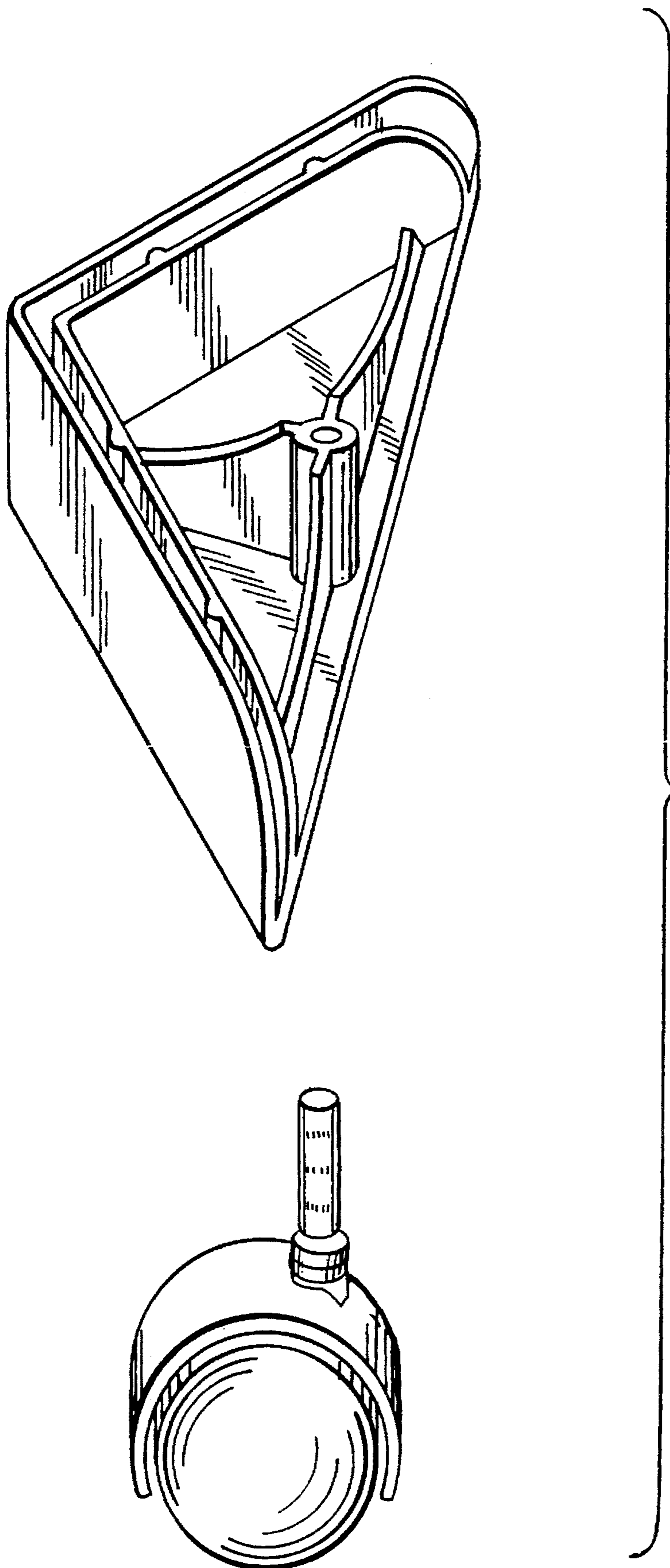
#### U.S. PATENT DOCUMENTS

835,492	11/1906	Baker .	
1,895,882	1/1933	Herold .	
2,049,344	7/1936	Wittke, Jr. .	
2,175,317	10/1939	Rogers .	
3,257,120	6/1966	Browning .....	190/18 A
3,452,380	7/1969	Walther .	
3,462,171	8/1969	Mitty et al. .	
4,262,780	4/1981	Samuelian .....	190/18 A
4,415,173	11/1983	Tenebruso .....	16/30 X
4,471,971	9/1984	Keesler .	
4,576,391	3/1986	Gerstner .	

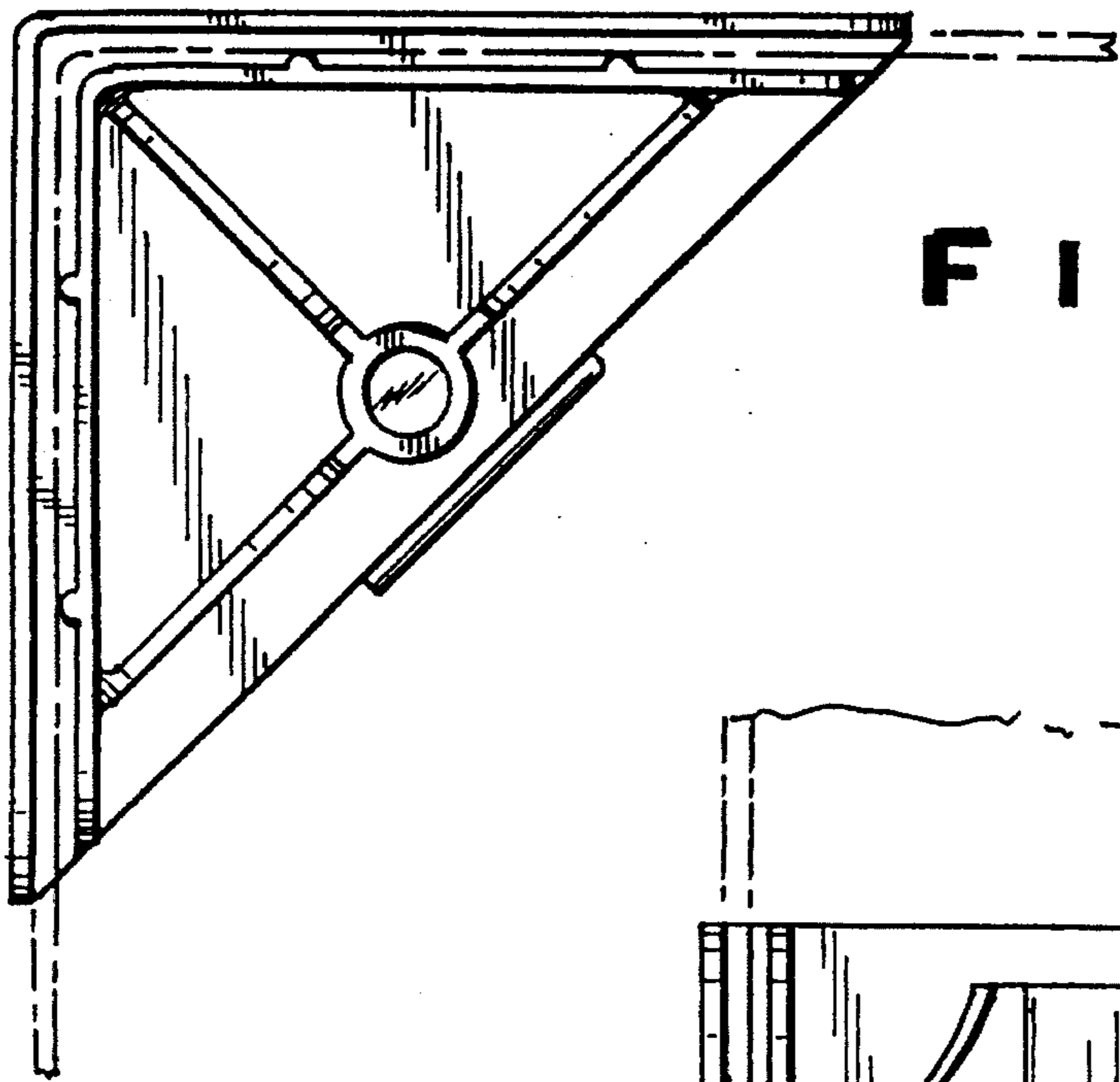
FIG. 1 is an exploded perspective view of the attachable unit incorporating my new design;  
FIG. 2 is a top plan view thereof;  
FIG. 3 is a side elevational view thereof; and,  
FIG. 4 is an elevational view thereof looking at the inside corner thereof.  
The broken line showing of partial structure is for illustrative purposes only and forms no part of the claimed design.  
The undisclosed bottom plan view is unornamented.

1 Claim, 2 Drawing Sheets

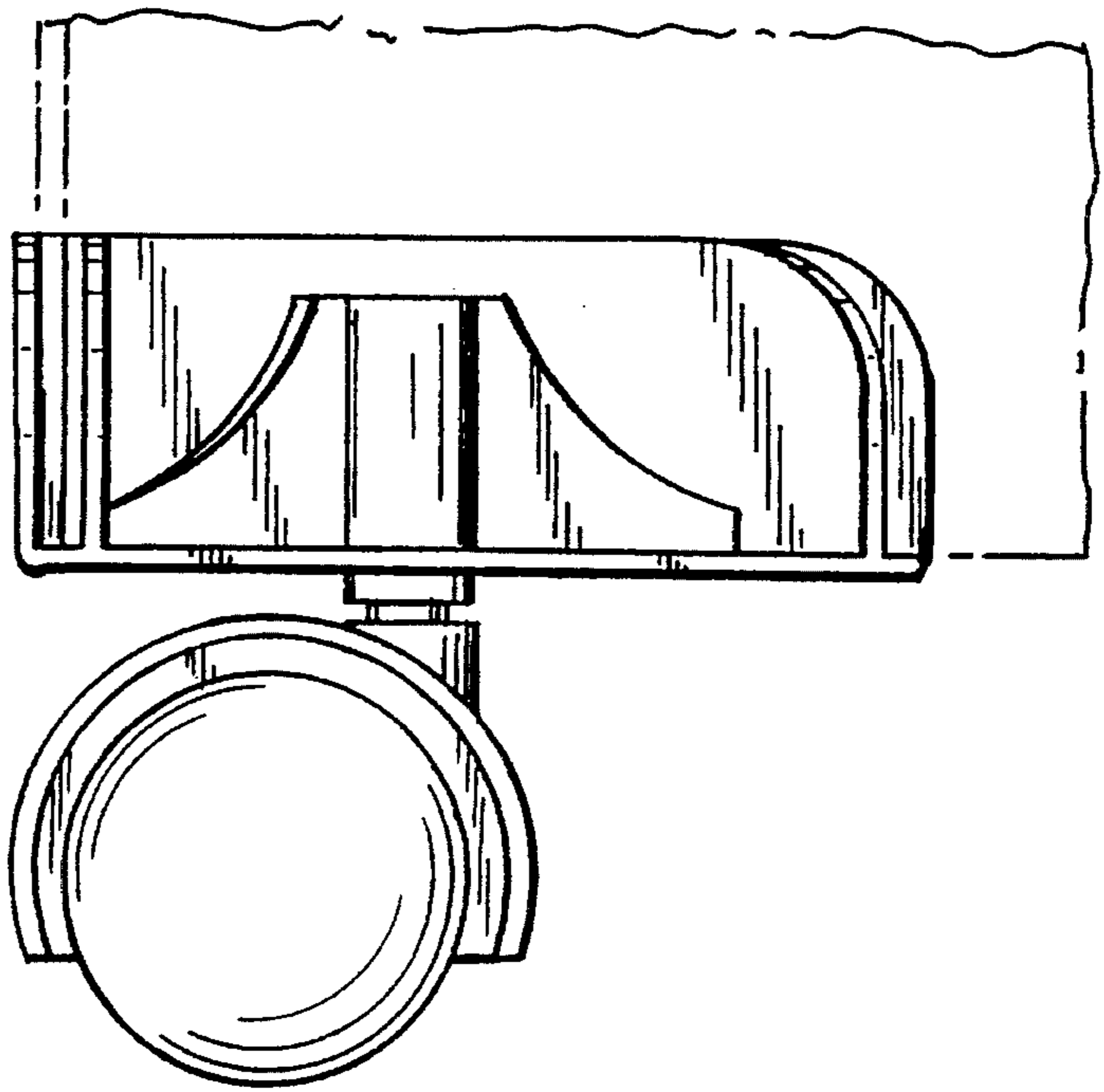




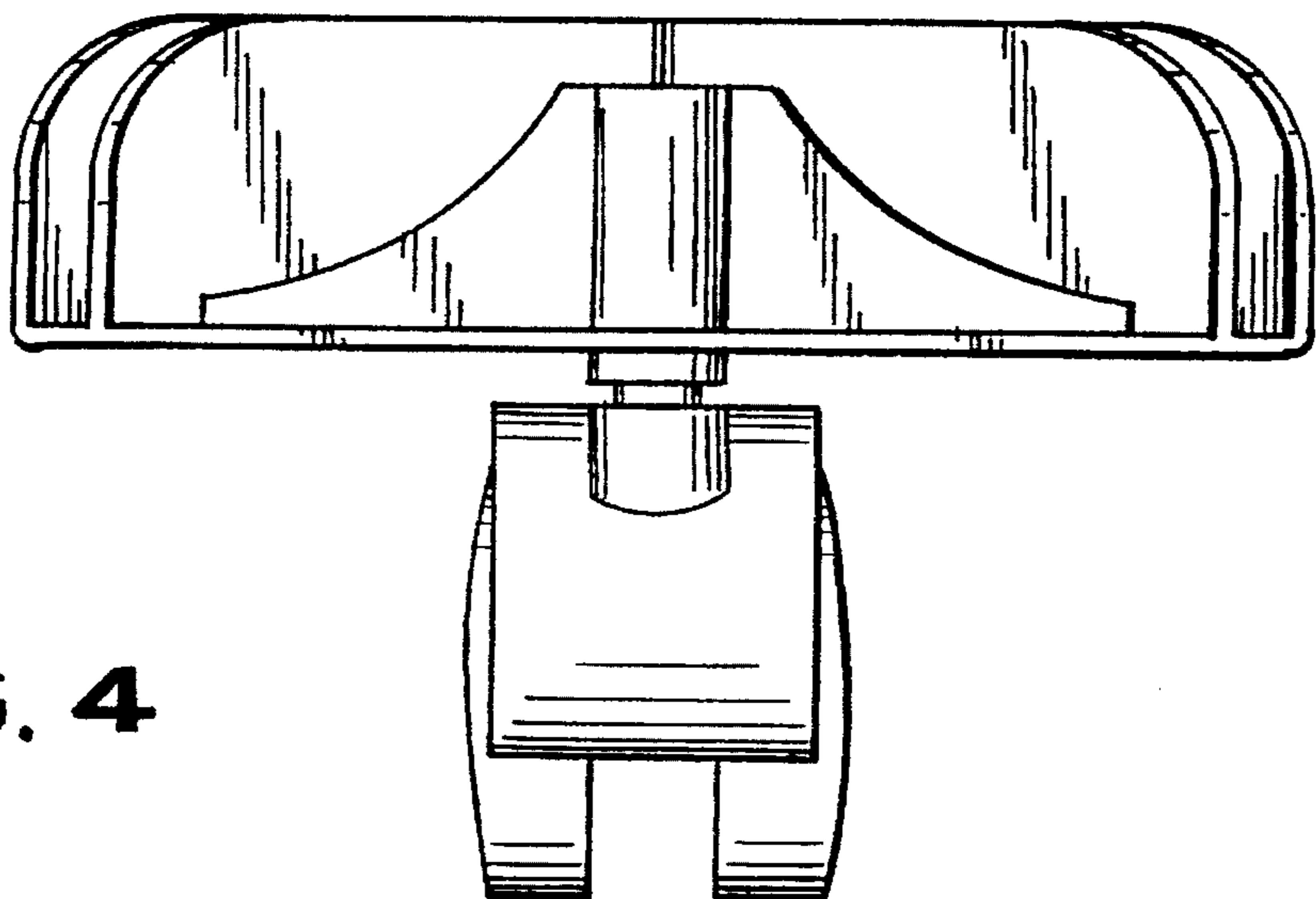
**FIG. 1**



**FIG. 2**



**FIG. 3**



**FIG. 4**