



US00D363207S

United States Patent [19]

[11] Patent Number: **Des. 363,207**

Tisbo et al.

[45] Date of Patent: ****Oct. 17, 1995**

[54] **STACKABLE HOSE REEL**

4,974,627	12/1990	Nelson	242/403.1	X
5,007,598	4/1991	Spear et al.	242/403.1	
5,046,520	9/1991	Sanchez, Jr. et al.	242/403.1	X
5,056,553	10/1991	Whitehead et al.	242/403.1	X

[75] Inventors: **Thomas A. Tisbo**, Barrington Hills;
Stephen P. Whitehead, Elgin; **Brian Moon**, Sycamore, all of Ill.

Primary Examiner—A. Hugo Word
Assistant Examiner—Holly H. Baynham
Attorney, Agent, or Firm—McHale & Slavin

[73] Assignee: **Suncast Corporation**, Batavia, Ill.

[**] Term: **14 Years**

[57] CLAIM

[21] Appl. No.: **28,295**

The ornamental design for a stackable hose reel, as shown and described.

[22] Filed: **Sep. 12, 1994**

[52] U.S. Cl. **D8/359; D34/26**

DESCRIPTION

[58] **Field of Search** D8/359; 137/355.26,
137/355.27; 242/557, 596.7–596.8, 403.1,
395; D34/26

FIG. 1 is a front plane view of the stackable hose reel of the instant invention;

FIG. 2 is a rear view of FIG. 1;

FIG. 3 is a right side view thereof;

FIG. 4 is a left side view thereof;

FIG. 5 is a top view thereof;

FIG. 6 is a bottom view thereof; and,

FIG. 7 is a perspective view thereof.

[56] References Cited

U.S. PATENT DOCUMENTS

D. 328,173	7/1992	Nelson	D8/359	X
D. 349,039	7/1994	Goodman et al.	D8/359	
D. 352,149	11/1994	Nelson et al.	D8/359	X

1 Claim, 6 Drawing Sheets

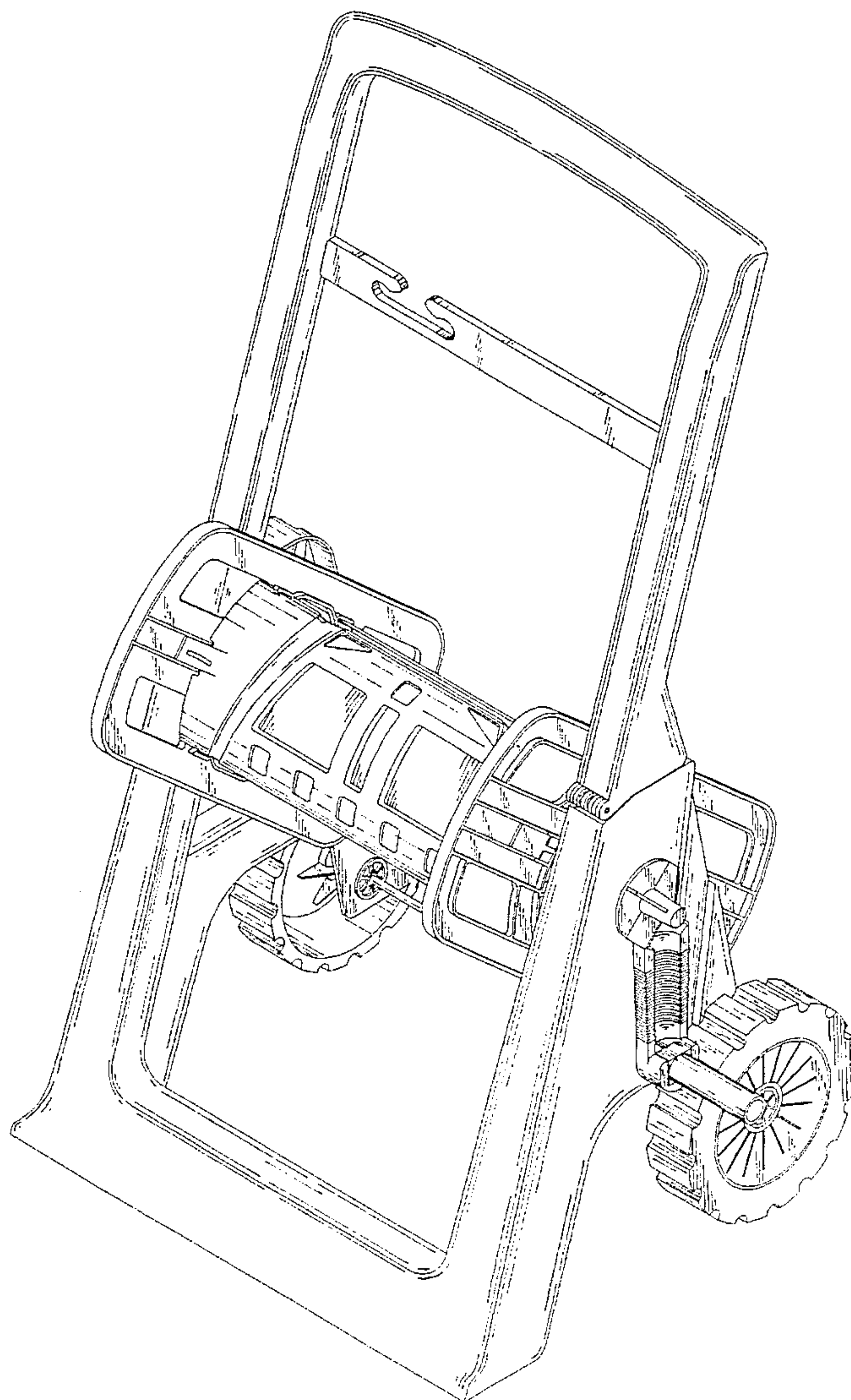


FIG. 1

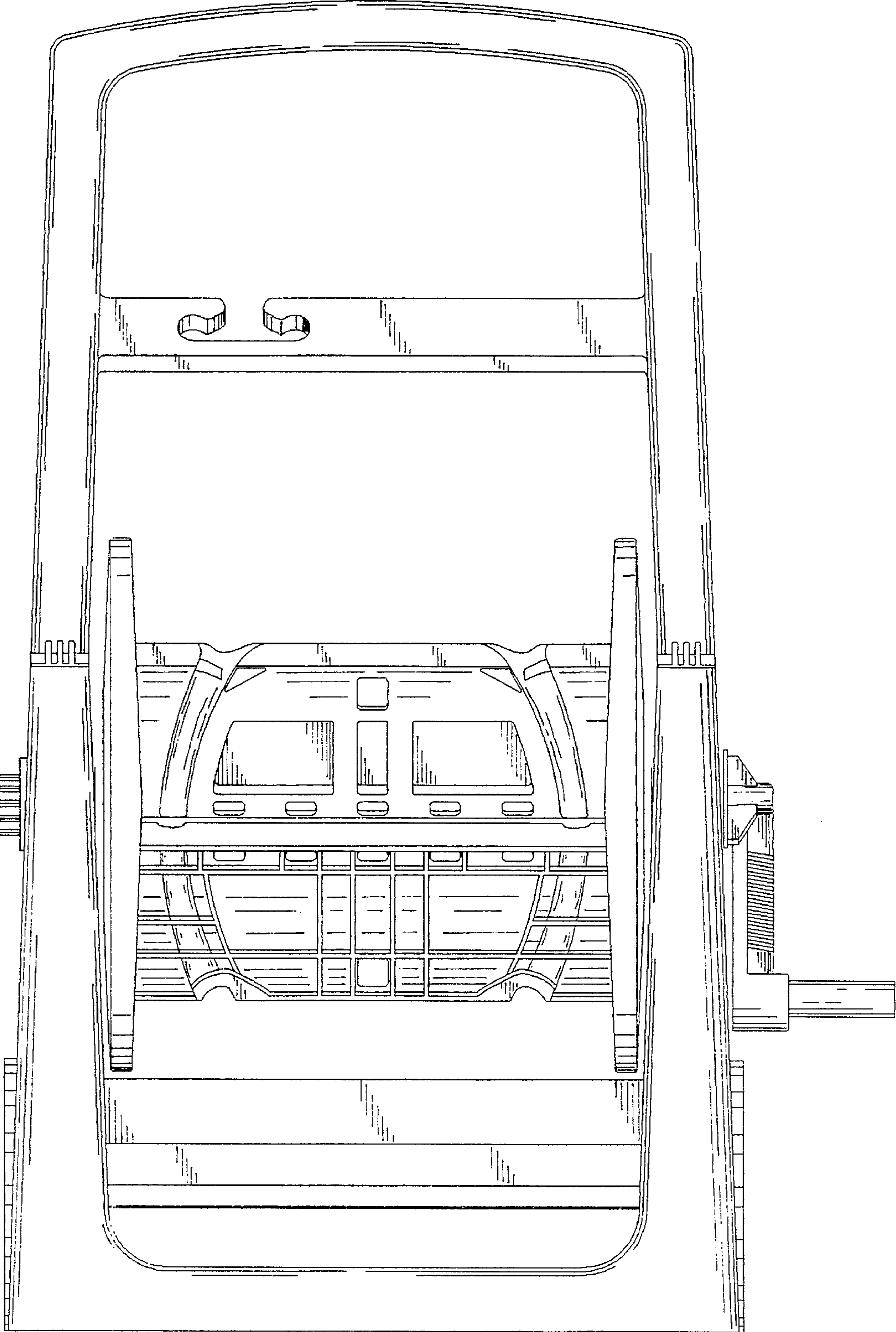


FIG. 2

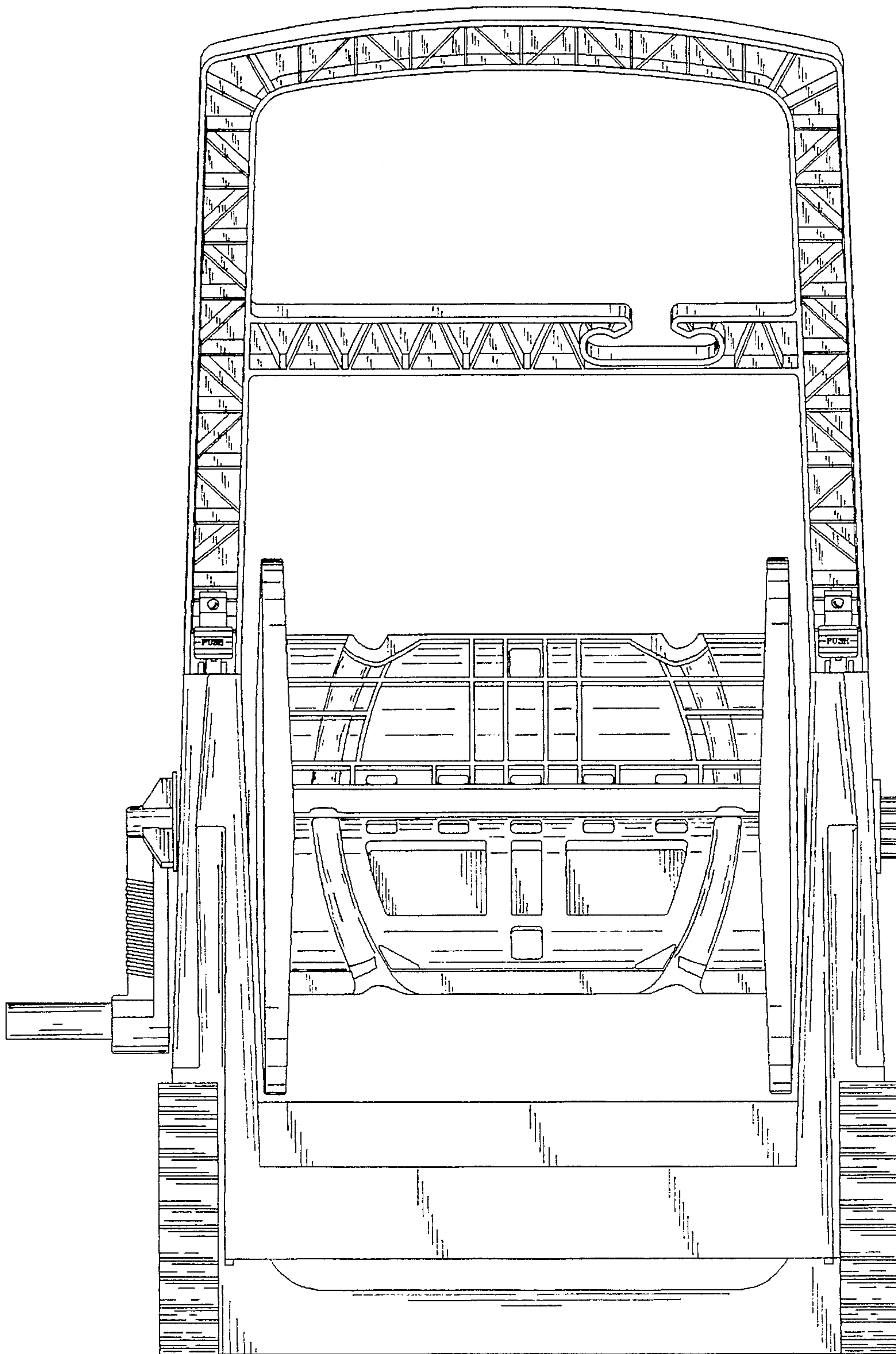


FIG. 3

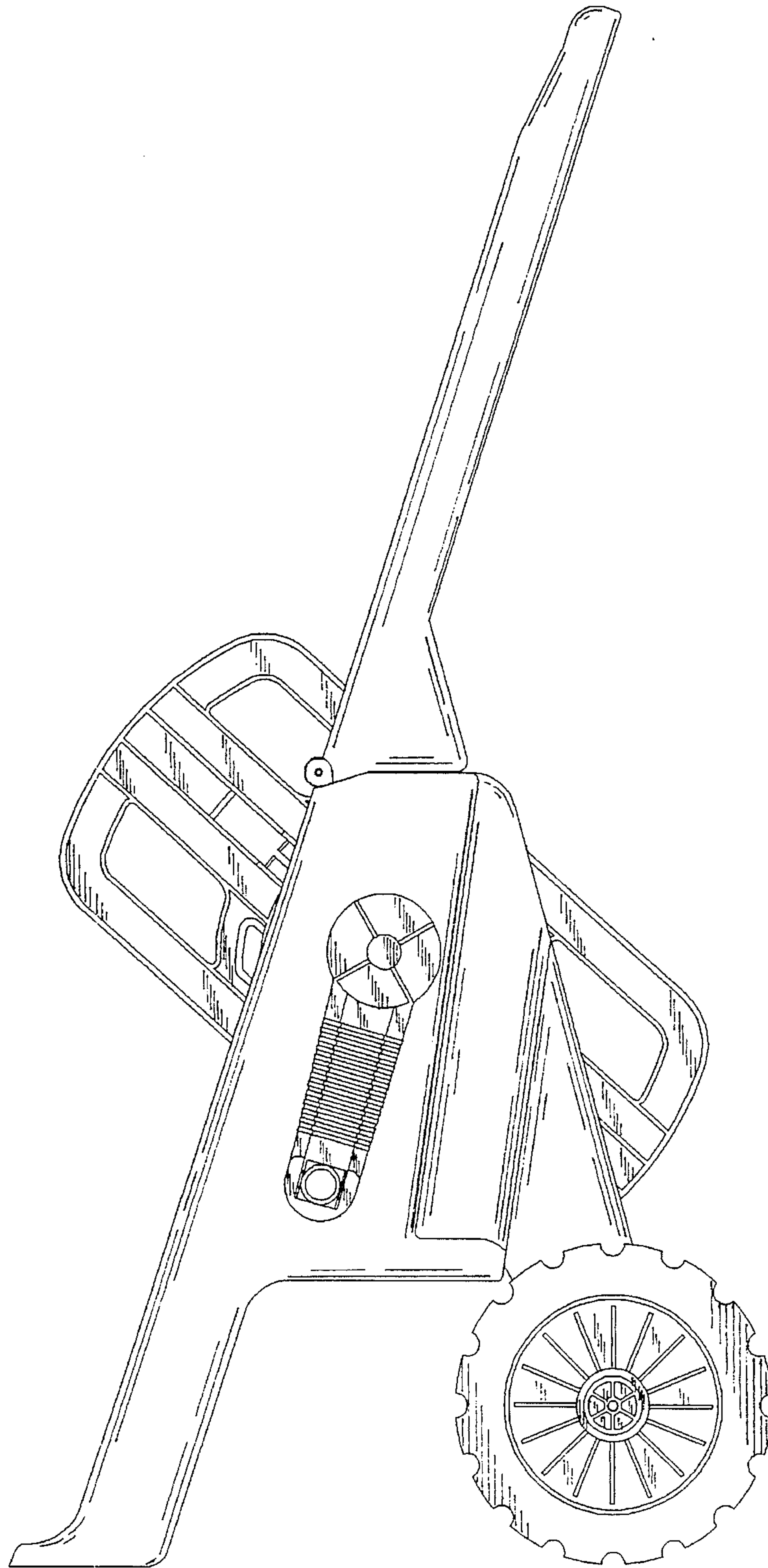


FIG. 4

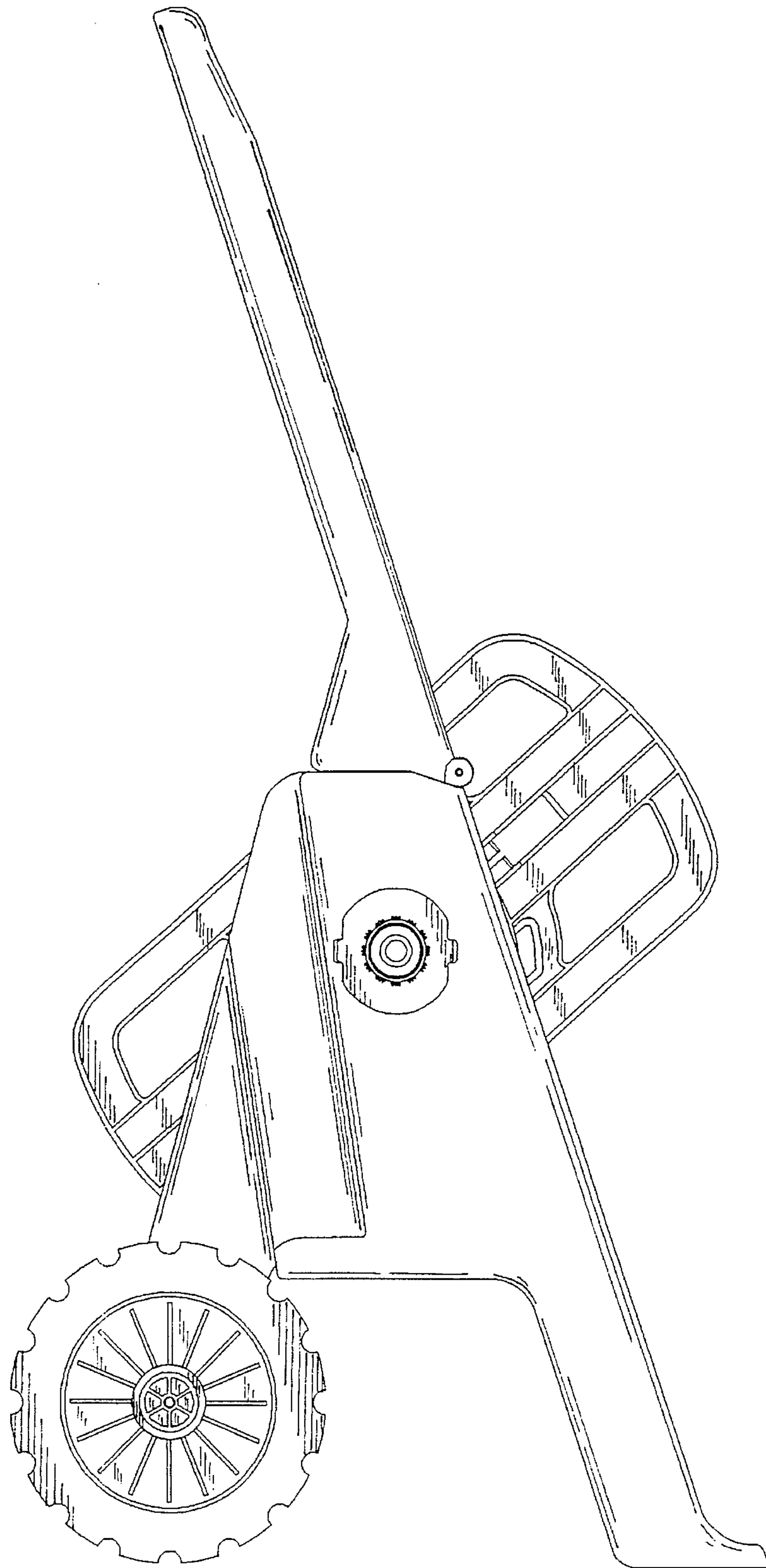


FIG. 5

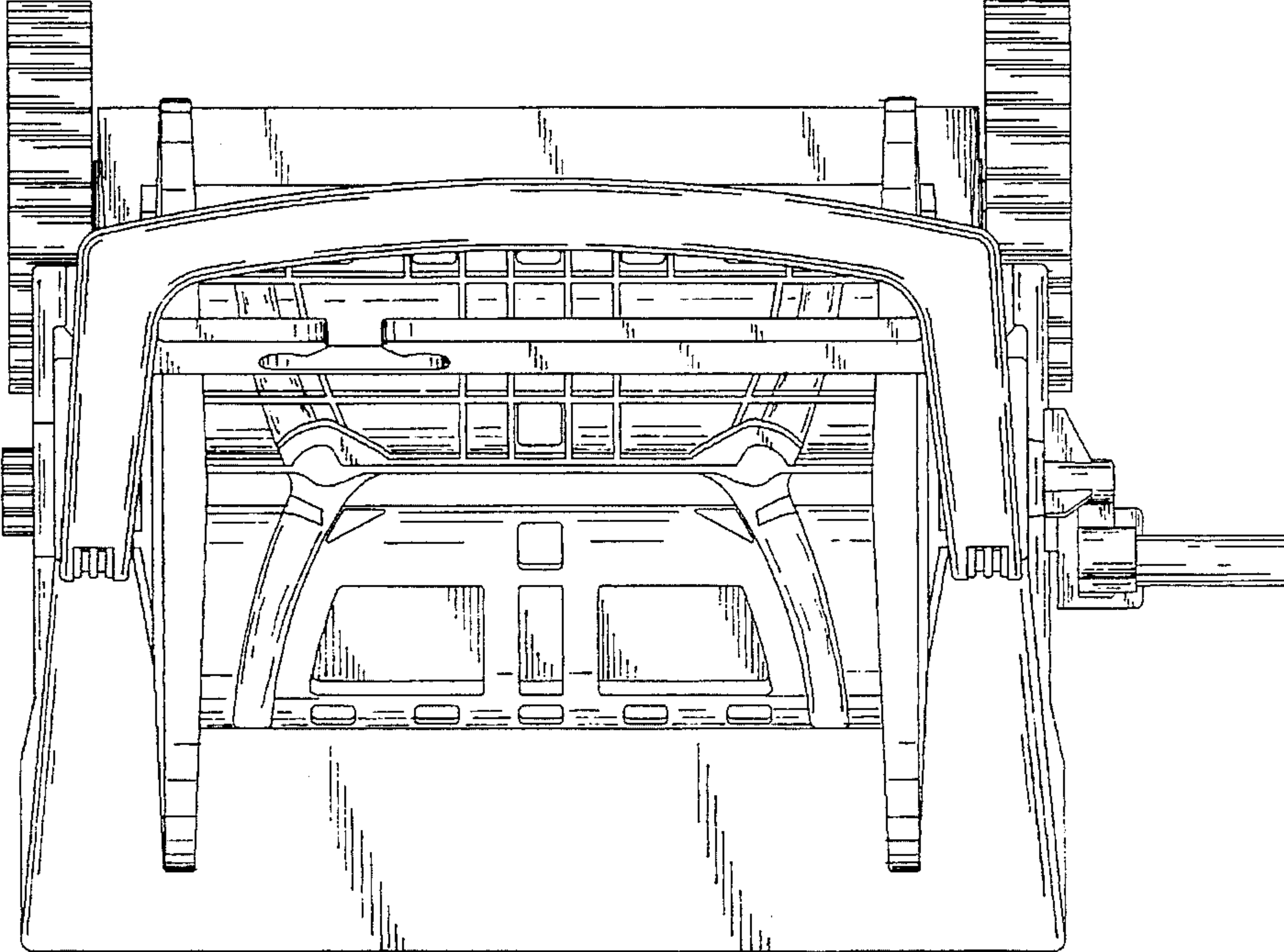


FIG. 6

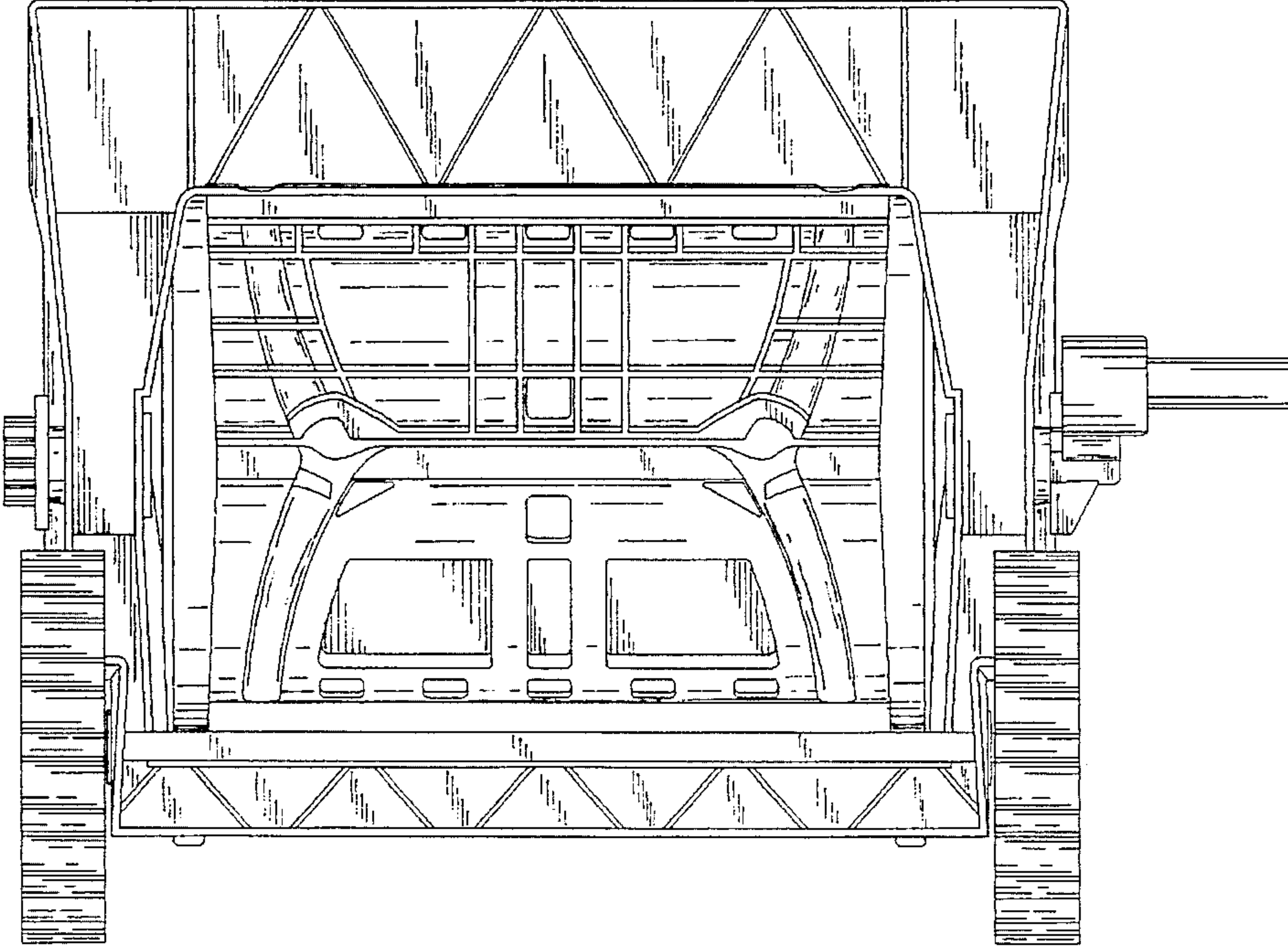


FIG. 7

