



US00D363202S

United States Patent [19]

Ross

[11] Patent Number: **Des. 363,202**

[45] Date of Patent: ****Oct. 17, 1995**

[54] **BLADE HOLDER FOR A KNIFE SHARPENER**

[76] Inventor: **Glenn D. Ross**, 1845 Baldwin Way, Marietta, Ga. 30068

[**] Term: **14 Years**

[21] Appl. No.: **27,385**

[22] Filed: **Aug. 19, 1994**

[52] U.S. Cl. **D8/93; D8/91**

[58] Field of Search **D8/90, 91, 92, D8/93, 94; 451/540, 548, 549, 552, 555, 557, 558; 76/82, 88**

[56] **References Cited**

U.S. PATENT DOCUMENTS

D. 287,815	1/1987	Johannsen	D8/93
D. 335,621	5/1993	Moody	D8/93
3,654,823	4/1972	Juranitch	76/82
3,800,632	4/1974	Juranitch	76/82
4,731,953	3/1988	Owen	76/88
4,777,770	10/1988	LeVine	76/88
5,138,801	8/1992	Anthon et al.	451/540

OTHER PUBLICATIONS

Cutlery Shoppe Catalog, 1990, p. 16, DMT Aligner Kit.
Cutlery Shoppe Catalog, 1990, p. 17, Lansky Sharpener.

Primary Examiner—Terry A. Wallace
Assistant Examiner—Philip Hyder
Attorney, Agent, or Firm—Lalos & Keegan

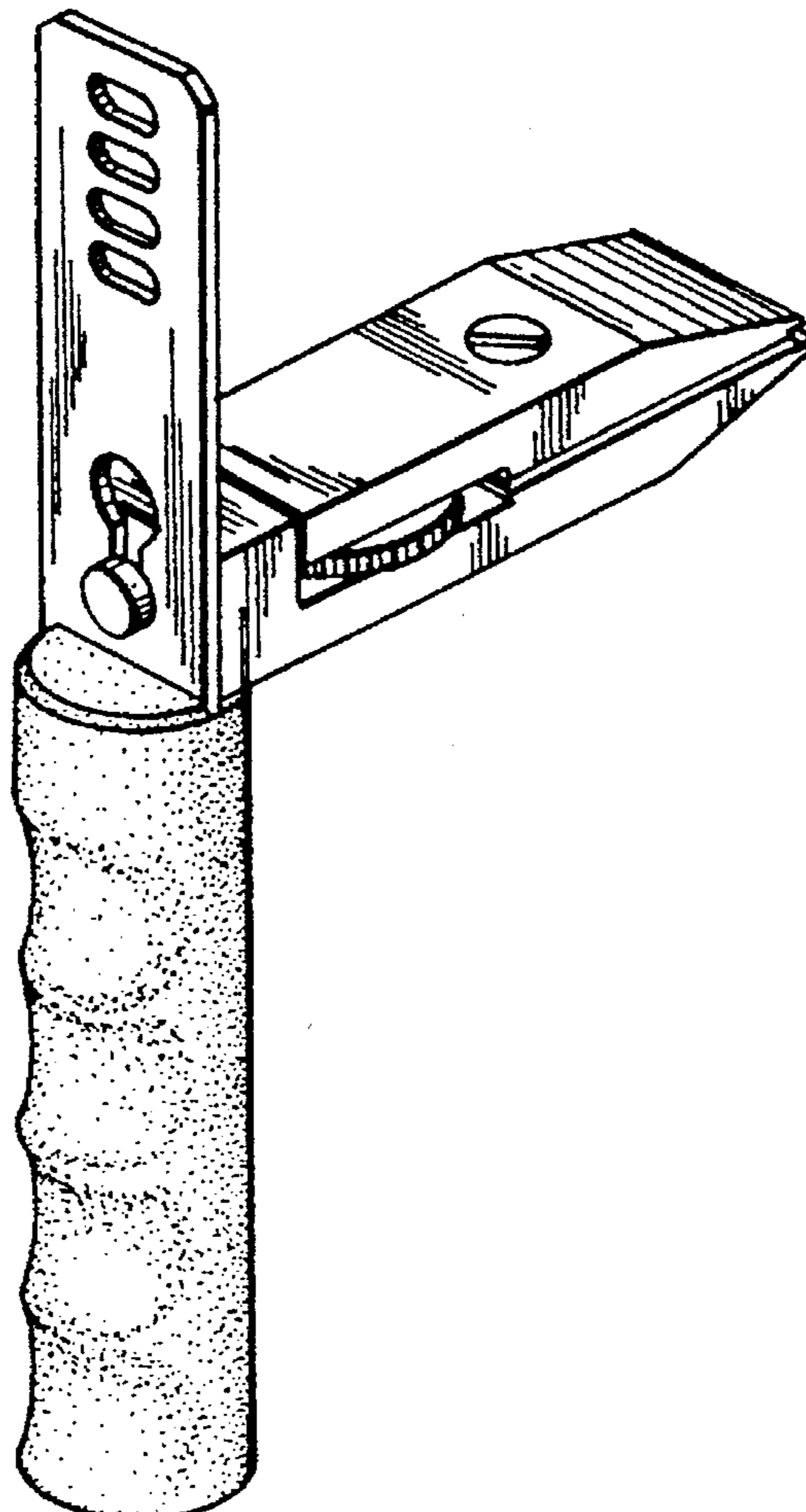
[57] **CLAIM**

The ornamental design for a blade holder for a knife sharpener, as shown and described.

DESCRIPTION

FIG. 1 is a perspective view of a blade holder for a knife sharpener, showing my new design;
FIG. 2 is a left side view thereof, the right side view being a mirror image;
FIG. 3 is a front view thereof;
FIG. 4 is a plan view thereof;
FIG. 5 is a rear view thereof; and,
FIG. 6 is a bottom view thereof.

1 Claim, 2 Drawing Sheets



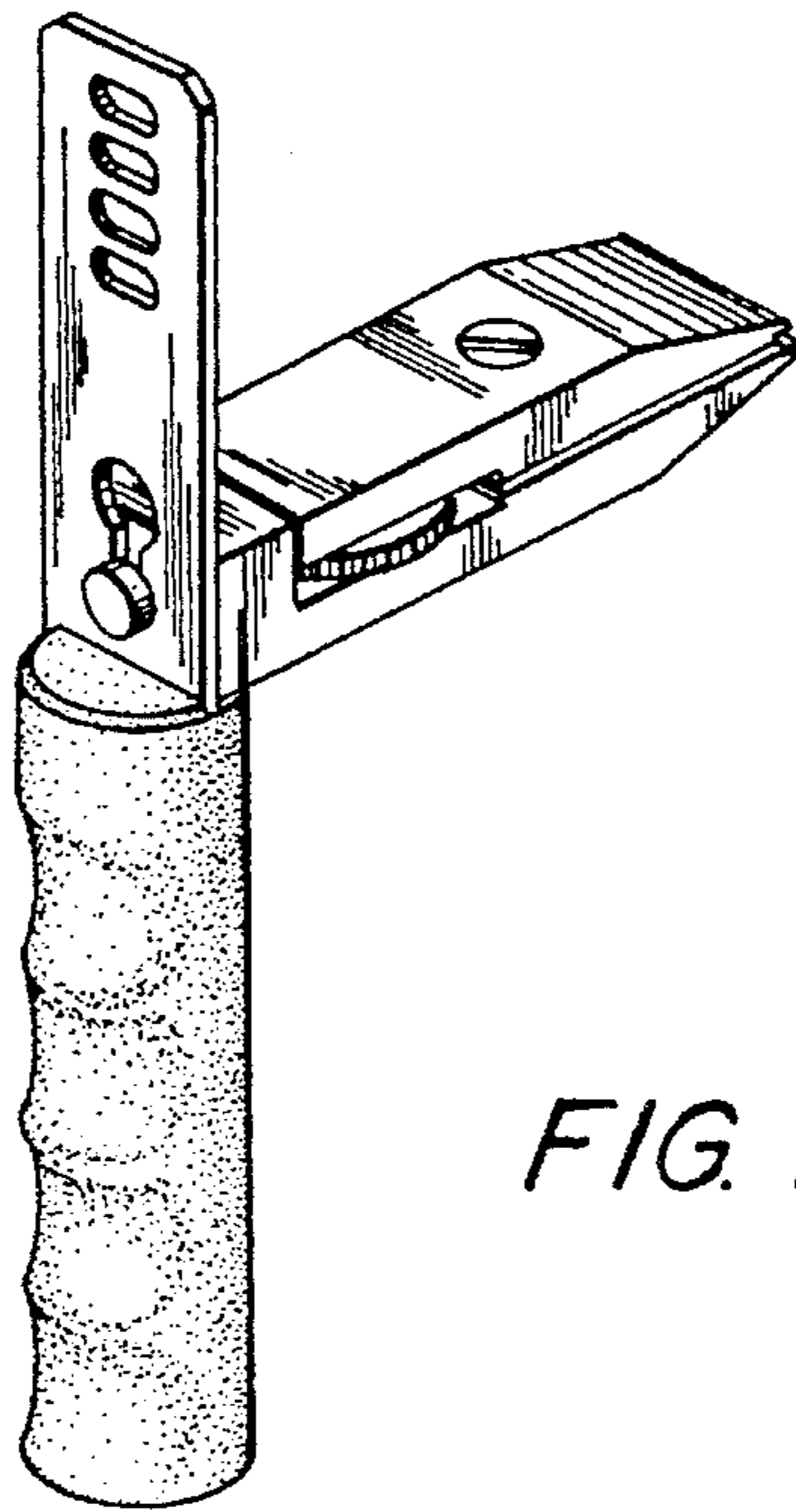


FIG. 1

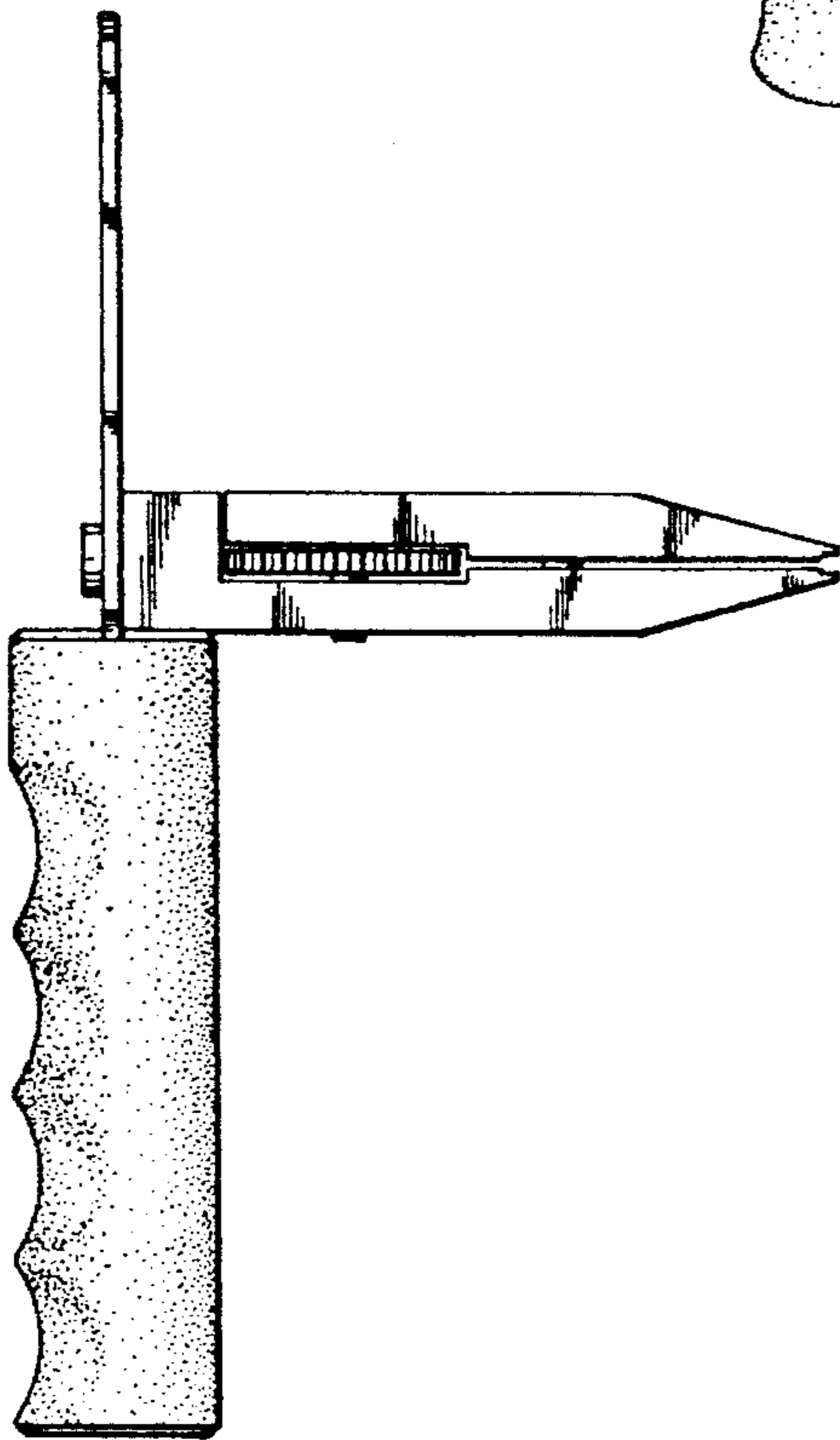


FIG. 2

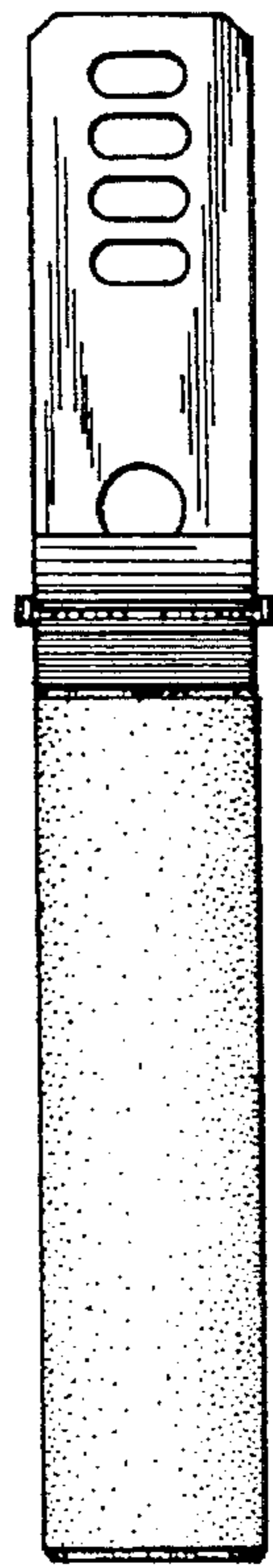


FIG. 3

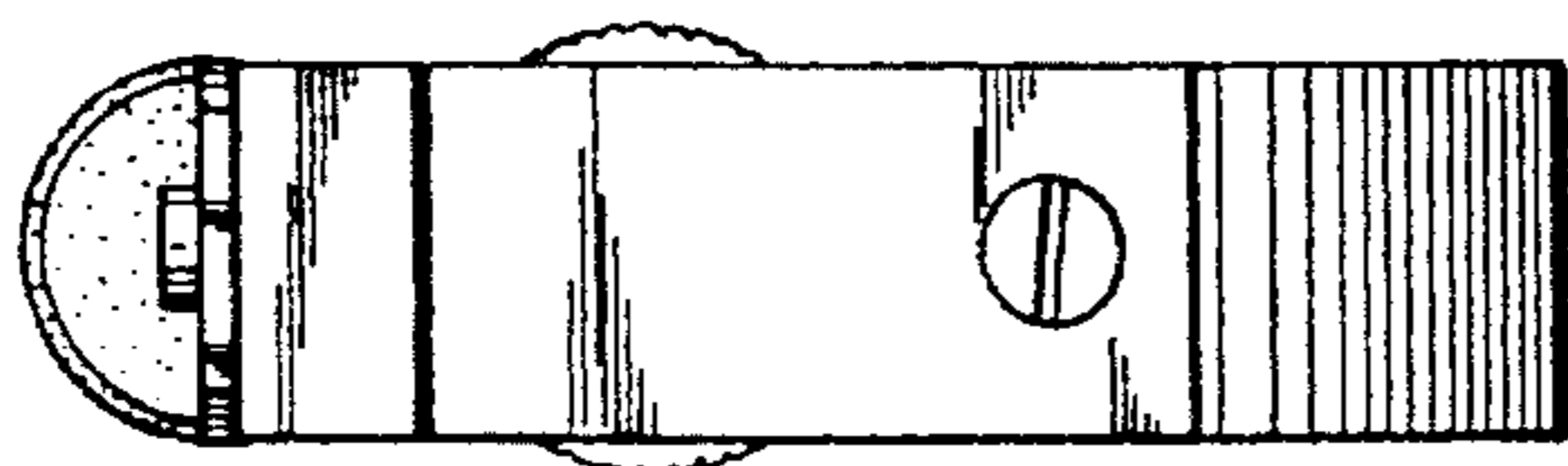


FIG. 4

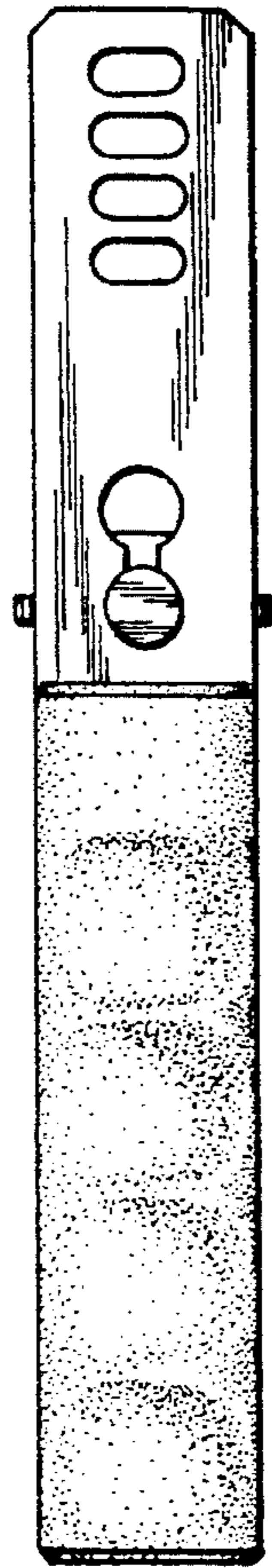


FIG. 5

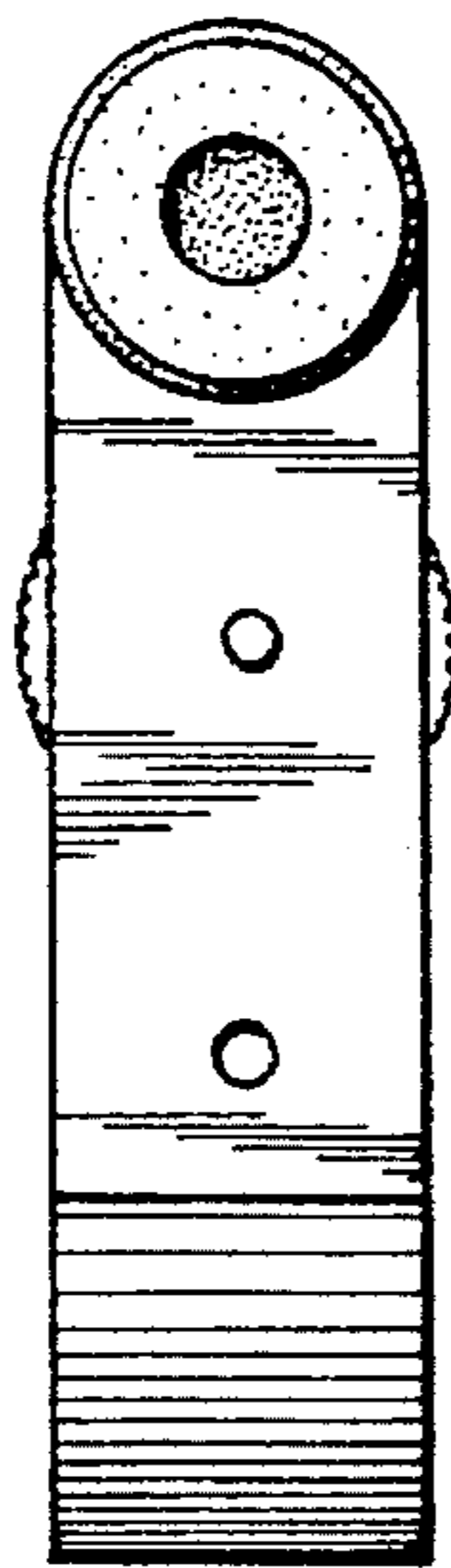


FIG. 6