



US00D363201S

# United States Patent [19]

Hill et al.

[11] Patent Number: **Des. 363,201**

[45] Date of Patent: **\*\*Oct. 17, 1995**

[54] **JOINING JIG**

[76] Inventors: **John K. Hill**, 51 Stanley Road, Market Bosworth, Nuneaton, Warwickshire CV13 ONB, England; **Michael F. Smith**, 6 The Green, Syston, Leicester, LE7 8HQ, England

[\*\*] Term: **14 Years**

[21] Appl. No.: **14,558**

[22] Filed: **Oct. 22, 1993**

[30] **Foreign Application Priority Data**

Apr. 22, 1993 [GB] United Kingdom ..... 2030592  
[52] U.S. Cl. .... **D8/71**  
[58] Field of Search ..... D8/71; D15/140, D15/144; 269/108, 42, 130, 41; 144/134 A, 136 C

[56] **References Cited**

**U.S. PATENT DOCUMENTS**

D. 342,658 12/1993 Gakhar et al. .... D8/71  
D. 342,747 12/1993 Garcia ..... D15/140

D. 344,529 2/1994 Gowdy ..... D8/71 X  
3,762,696 10/1973 Falk et al. .... 269/108  
4,171,799 10/1979 Elko ..... 269/108  
4,486,010 12/1984 Haas, Jr. .... 269/42

*Primary Examiner*—Alan P. Douglas  
*Assistant Examiner*—J. H. Musgrove  
*Attorney, Agent, or Firm*—McGlew and Tuttle

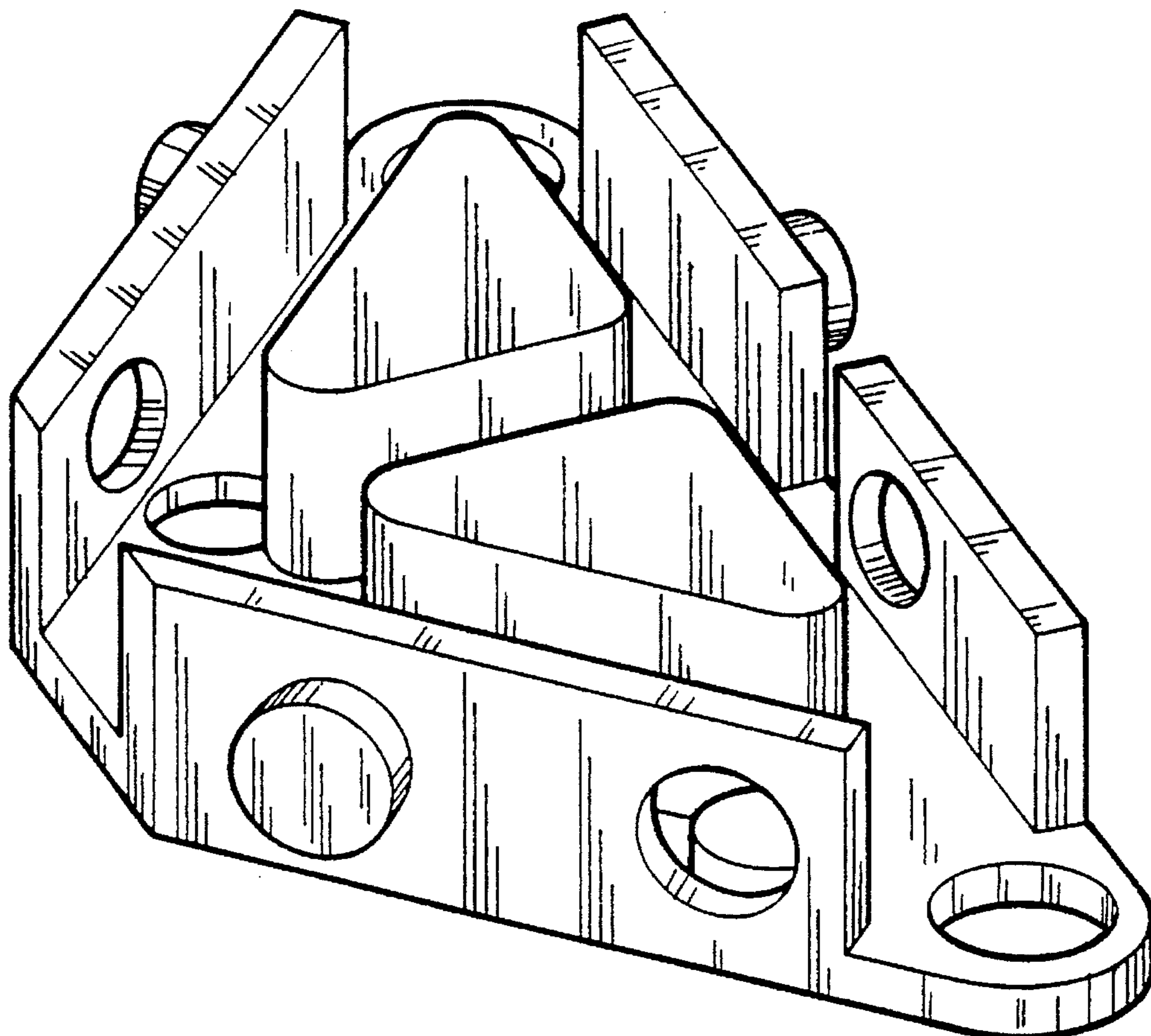
[57] **CLAIM**

The ornamental design for a joining jig, as shown and described.

**DESCRIPTION**

FIG. 1 is a perspective view of the joining jig;  
FIG. 2 is a plan view;  
FIG. 3 is an underside plan view;  
FIG. 4 is a view from one side;  
FIG. 5 is a view from a second side;  
FIG. 6 is a view from a third side (the diagonal) at a first angle (vertical); and,  
FIG. 7 is a view from the third side at a second angle (horizontal).

**1 Claim, 2 Drawing Sheets**



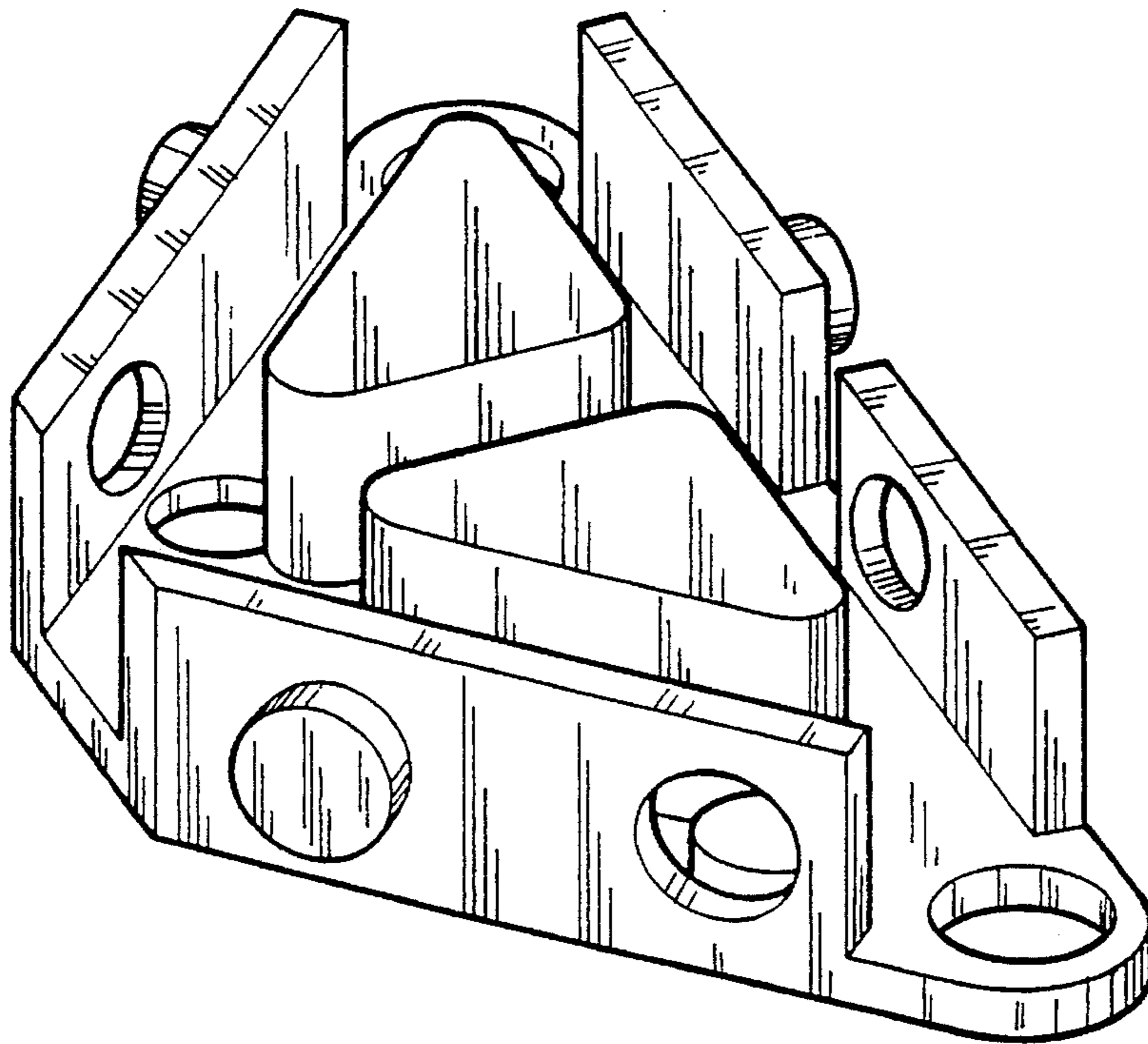


FIG 1

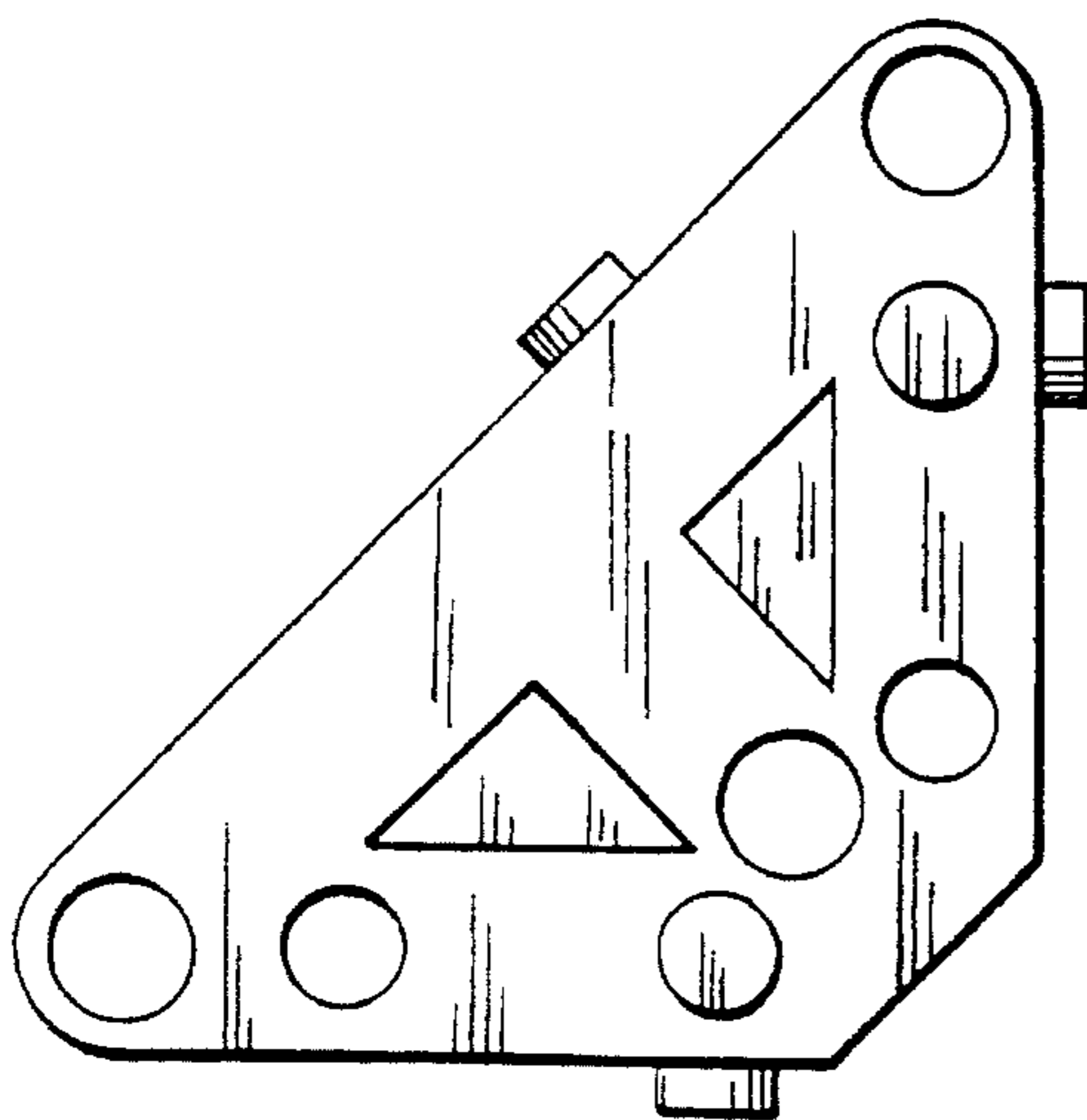


FIG 2

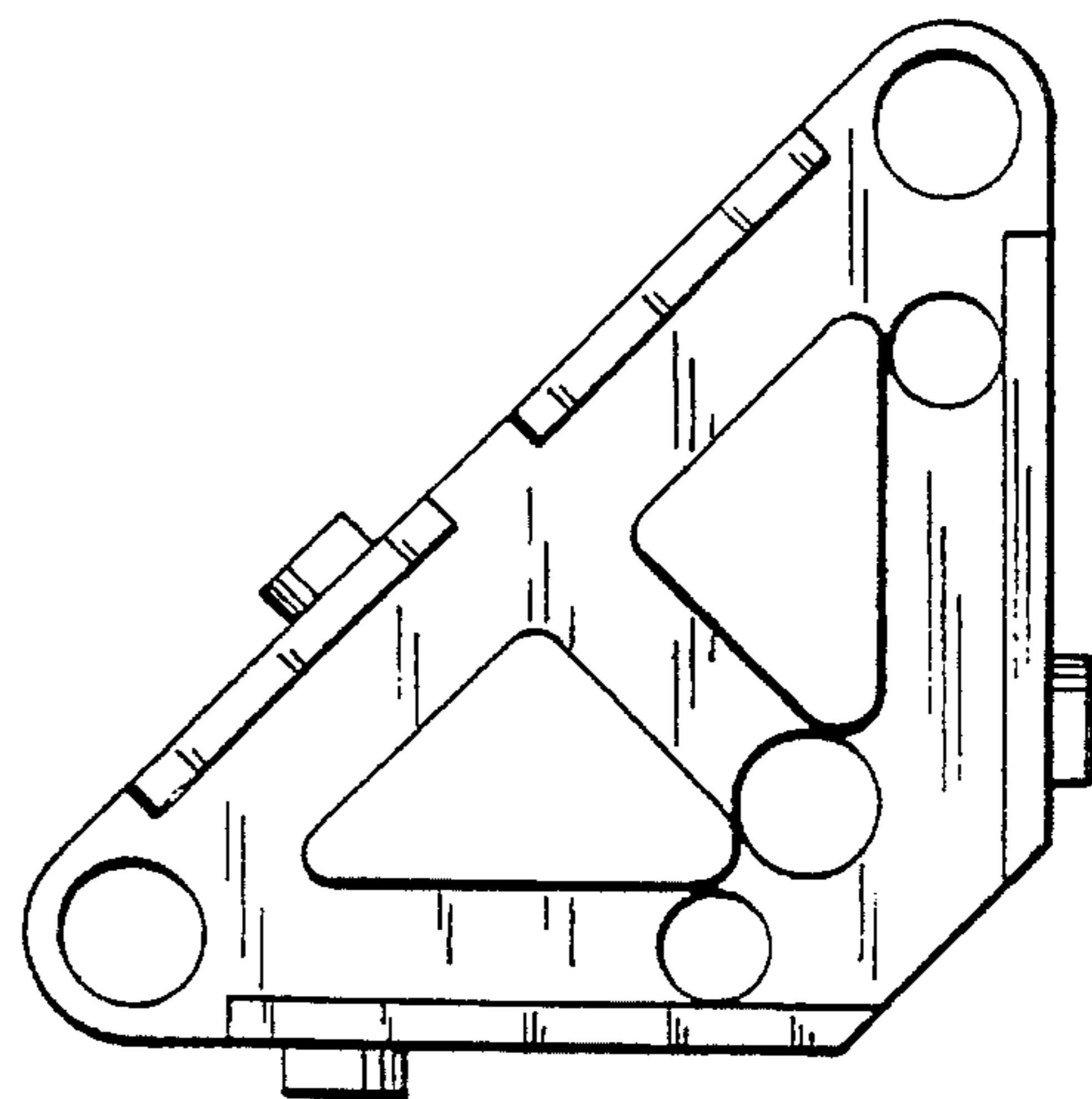


FIG 3

FIG 4

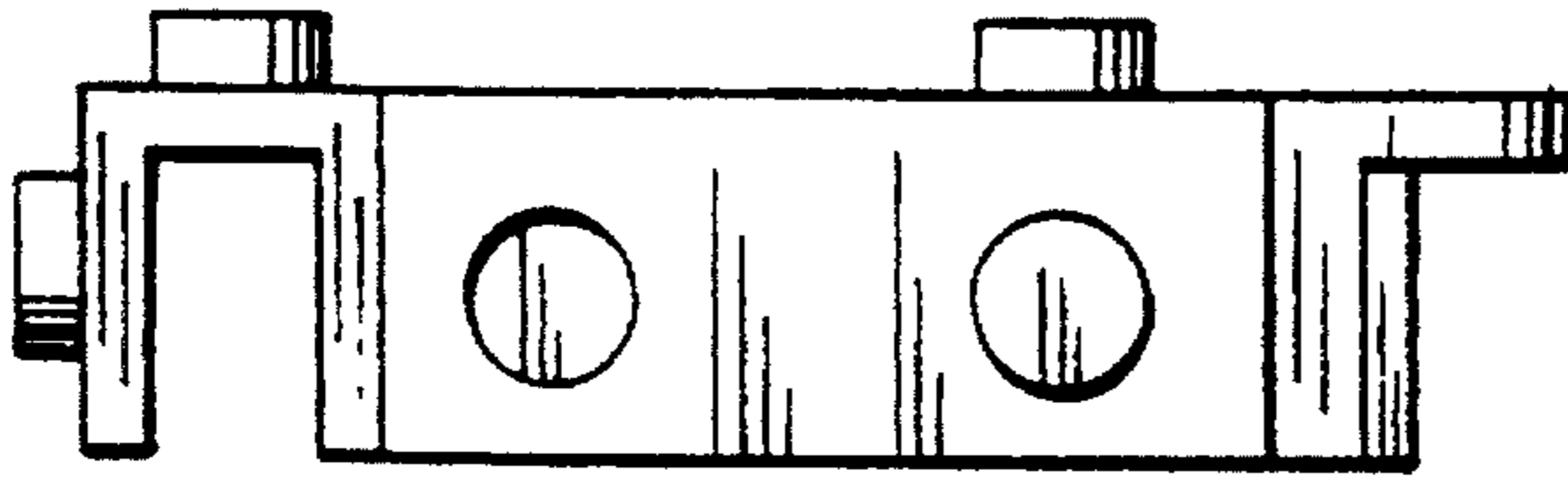


FIG 5

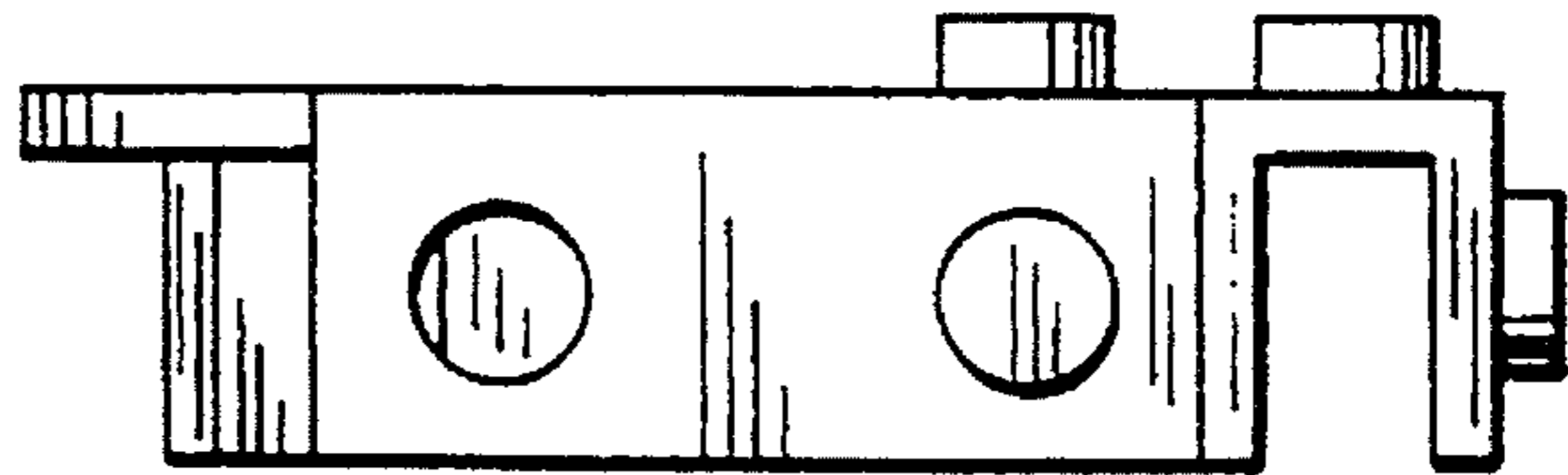


FIG 6

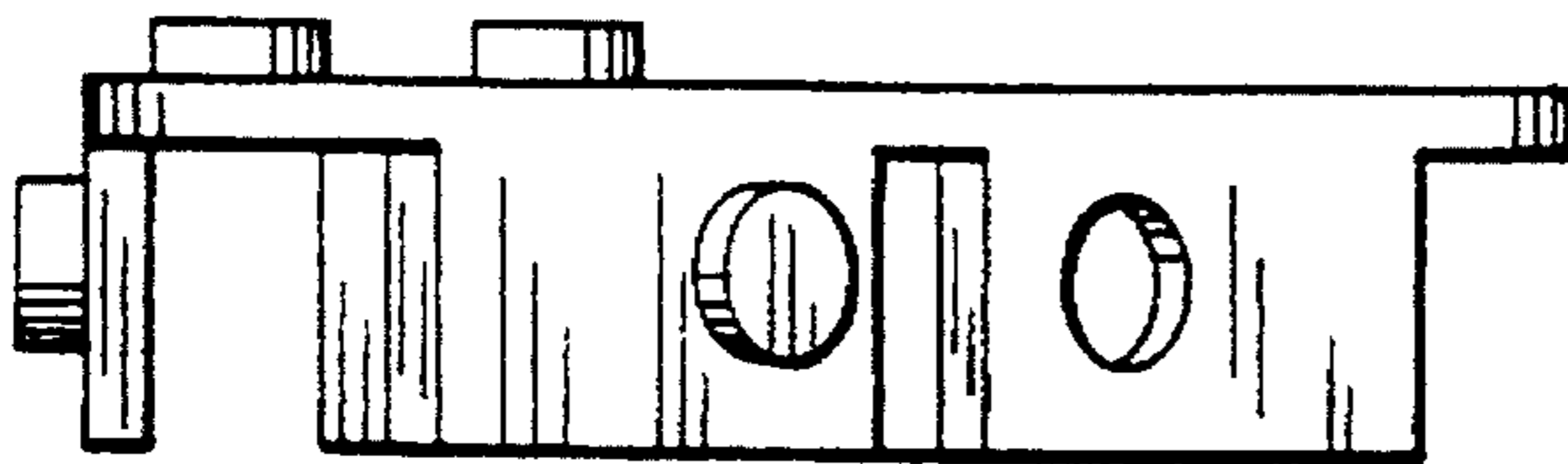


FIG 7

