



US00D363198S

**United States Patent** [19]  
**Donaldson**

[11] **Patent Number: Des. 363,198**

[45] **Date of Patent: \*\*Oct. 17, 1995**

[54] **OIL FILTER WRENCH**

[76] Inventor: **Darlene Donaldson**, 1111 Lakeshore Dr., St. Charles, Mo. 63303

[\*\*] Term: **14 Years**

[21] Appl. No.: **26,767**

[22] Filed: **Jul. 27, 1994**

[52] U.S. Cl. .... **D8/22**

[58] Field of Search ..... D8/21, 22, 396;  
81/3.43, 64, 65; 24/19, 20 TT, 269

[56] **References Cited**

**U.S. PATENT DOCUMENTS**

D. 289,363	4/1987	DeRaad .....	D8/22
D. 307,101	4/1990	Anderson .....	D8/22
723,980	3/1903	Bogart .....	81/3.43
771,376	10/1904	Loxterkamp .....	81/64
824,369	6/1906	Macauley .....	81/3.43
994,953	6/1911	Robbins .....	81/3.43
1,516,240	11/1924	Osterberg .....	81/3.43

3,007,357 11/1961 Nalley .

4,714,138 12/1987 Zaccone .

4,964,330 10/1990 Swinney .

*Primary Examiner*—Terry A. Wallace  
*Assistant Examiner*—Richelle Shelton  
*Attorney, Agent, or Firm*—Terry M. Gernstein

[57] **CLAIM**

The ornamental design for a oil filter wrench, as shown and described.

**DESCRIPTION**

FIG. 1 is a perspective view of an oil filter wrench showing my new design;

FIG. 2 is a rear elevation view thereof;

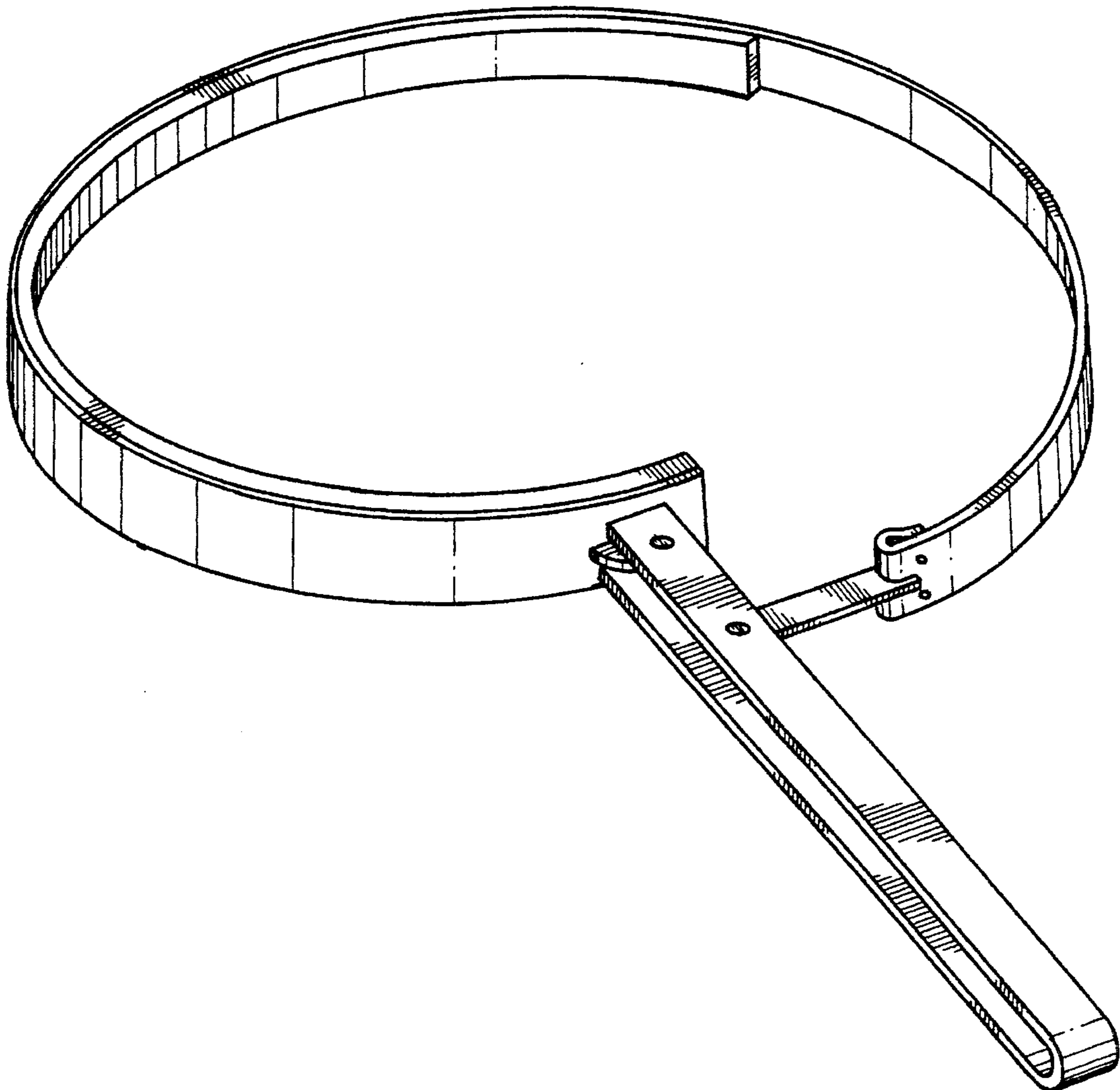
FIG. 3 is a front elevation view thereof;

FIG. 4 is a right side elevation view thereof;

FIG. 5 is a left side elevation view thereof; and,

FIG. 6 is a top plan view thereof, the bottom plan view being a mirror image.

**1 Claim, 3 Drawing Sheets**



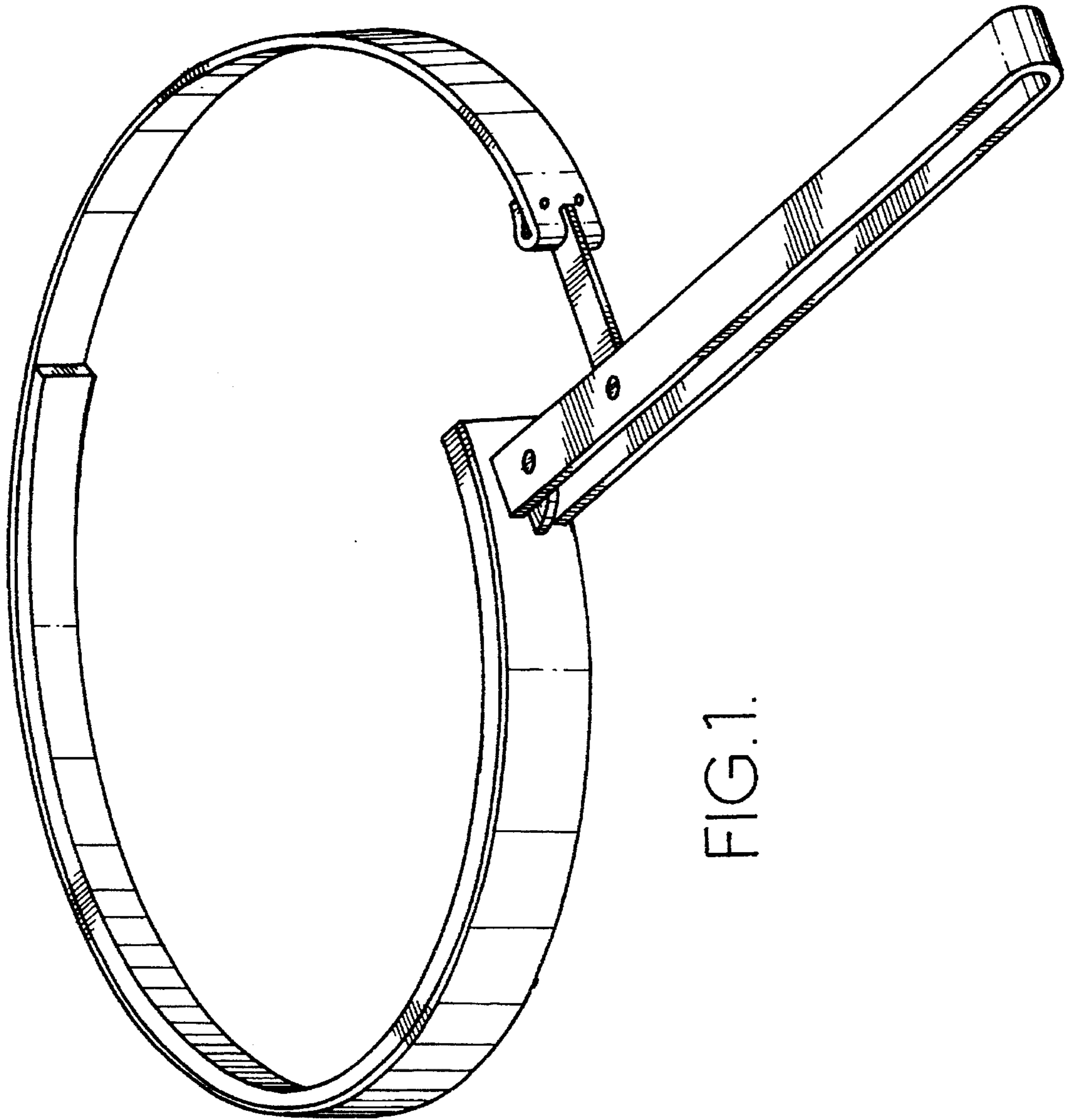


FIG. 1.

FIG. 2.

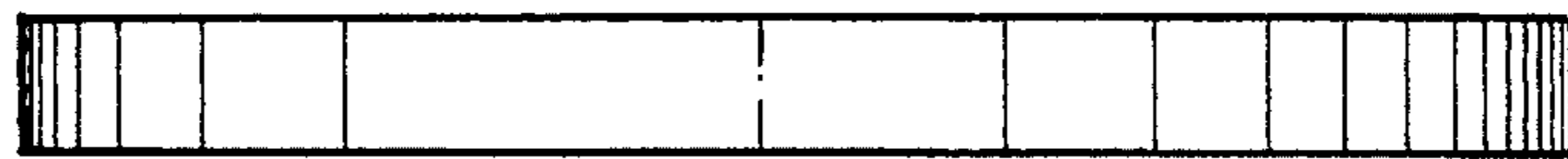


FIG. 3.



FIG. 5.



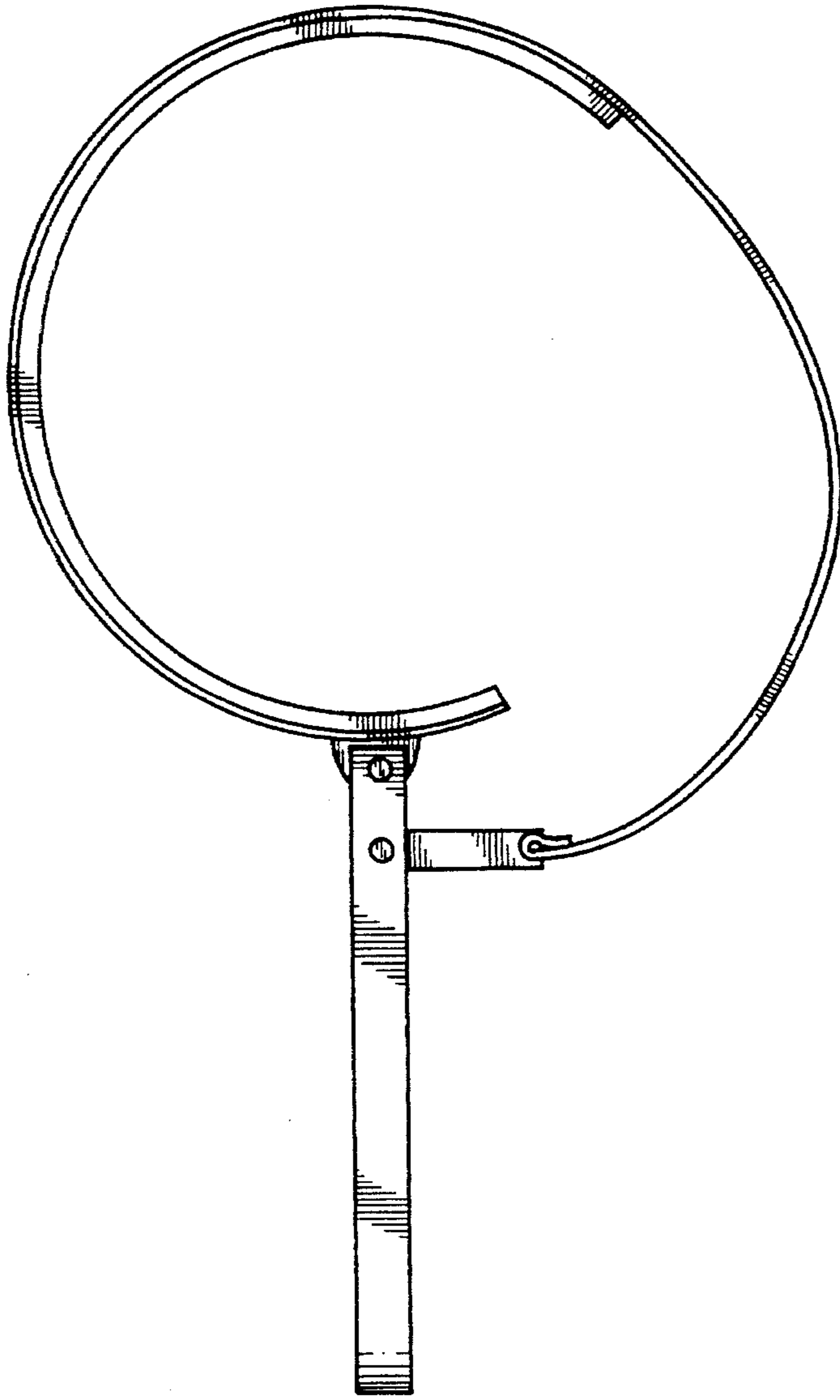


FIG. 6.



FIG. 4.