



US00D363193S

# United States Patent [19]

[11] Patent Number: **Des. 363,193**

**Rostkowski, Jr.**

[45] Date of Patent: **\*\*Oct. 17, 1995**

[54] **COMPARTMENTAL DINNER PLATE**

[76] Inventor: **Paul F. Rostkowski, Jr.**, 45 Yew Rd.,  
Baltimore, Md. 21221

[\*\*] Term: **14 Years**

[21] Appl. No.: **23,879**

[22] Filed: **Jun. 2, 1994**

[52] U.S. Cl. .... **D7/556; D7/555; D7/553;**  
D7/551

[58] Field of Search ..... D7/550, 501, 505,  
D7/590, 558, 507, 543, 544, 545, 546,  
549, 551, 552, 553, 554, 555, 698, 564,  
359, 360, 359, 502, 556; 220/574, 675,  
575, 556; 706/563, 561, 562

[56] **References Cited**

### U.S. PATENT DOCUMENTS

D. 87,203 6/1932 Clark ..... D7/545  
D. 206,763 1/1967 Kirwan ..... D7/553

D. 289,247 4/1987 Wang ..... D7/554 X  
D. 292,768 11/1987 Kearney ..... D7/553  
D. 338,596 8/1993 Carafarella et al. .... D7/551  
D. 346,310 4/1994 Schlesier et al. .... D7/551  
5,381,901 1/1995 Hundey ..... 220/675 X

*Primary Examiner*—Alan P. Douglas  
*Assistant Examiner*—M. N. Pandozzi

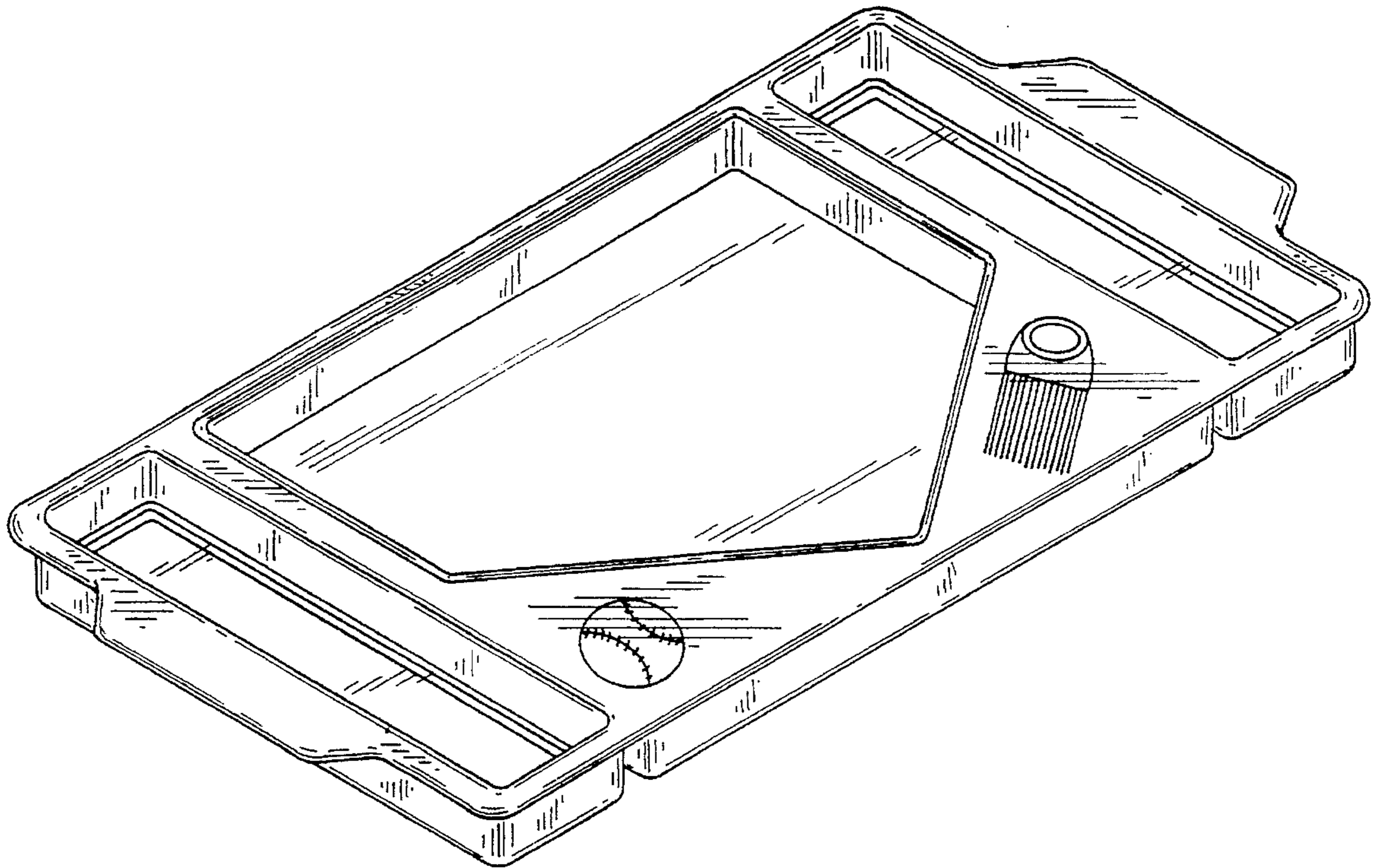
### [57] CLAIM

The ornamental design for a compartmental dinner plate, as shown and described.

### DESCRIPTION

FIG. 1 is a top perspective view of a compartmental dinner plate showing my new design;  
FIG. 2 is a top plan view thereof;  
FIG. 3 is a front view thereof, the opposite side being a mirror image; and,  
FIG. 4 is a side view thereof.  
The bottom plan view is plain and unornamented.

**1 Claim, 2 Drawing Sheets**



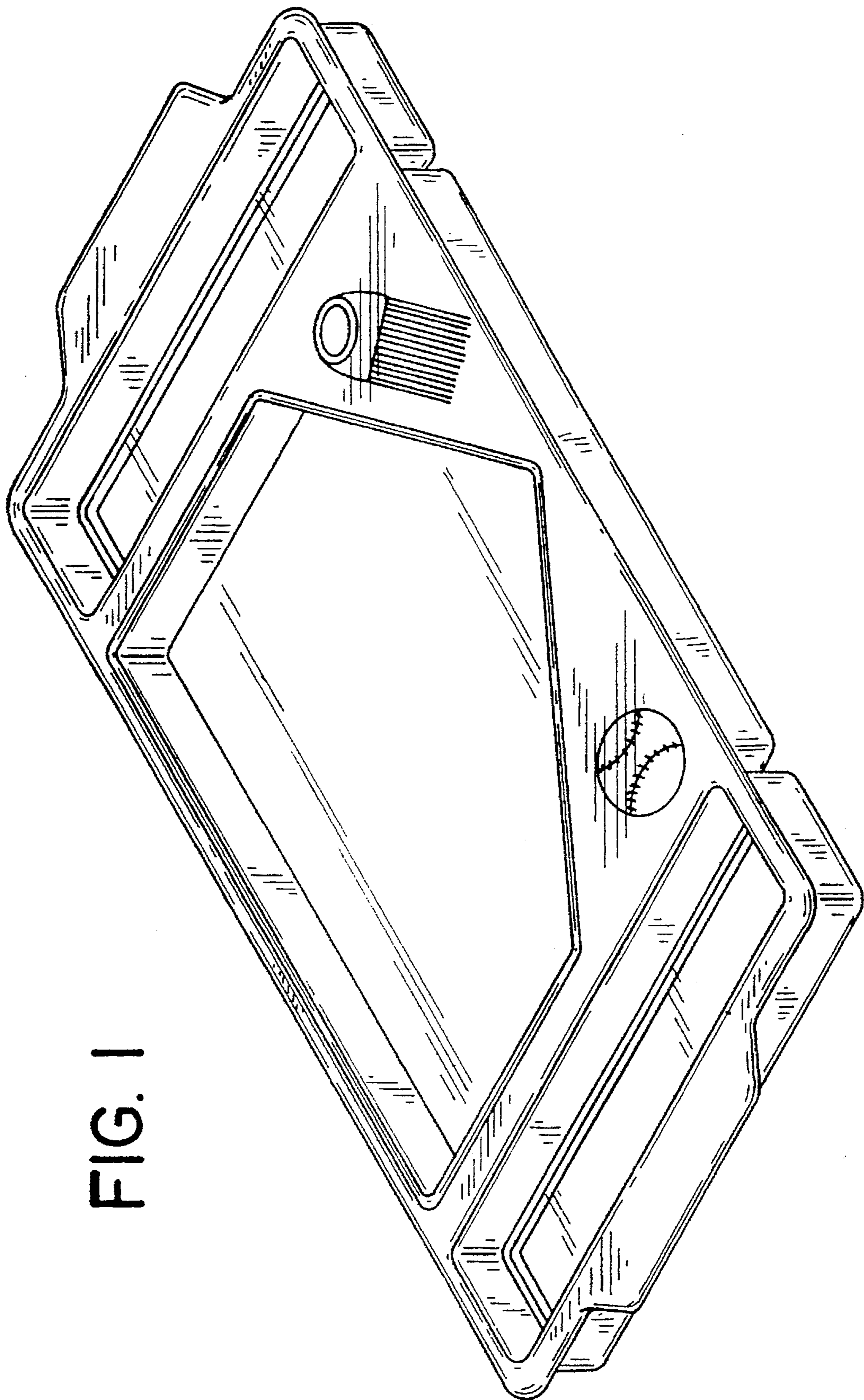


FIG. 1

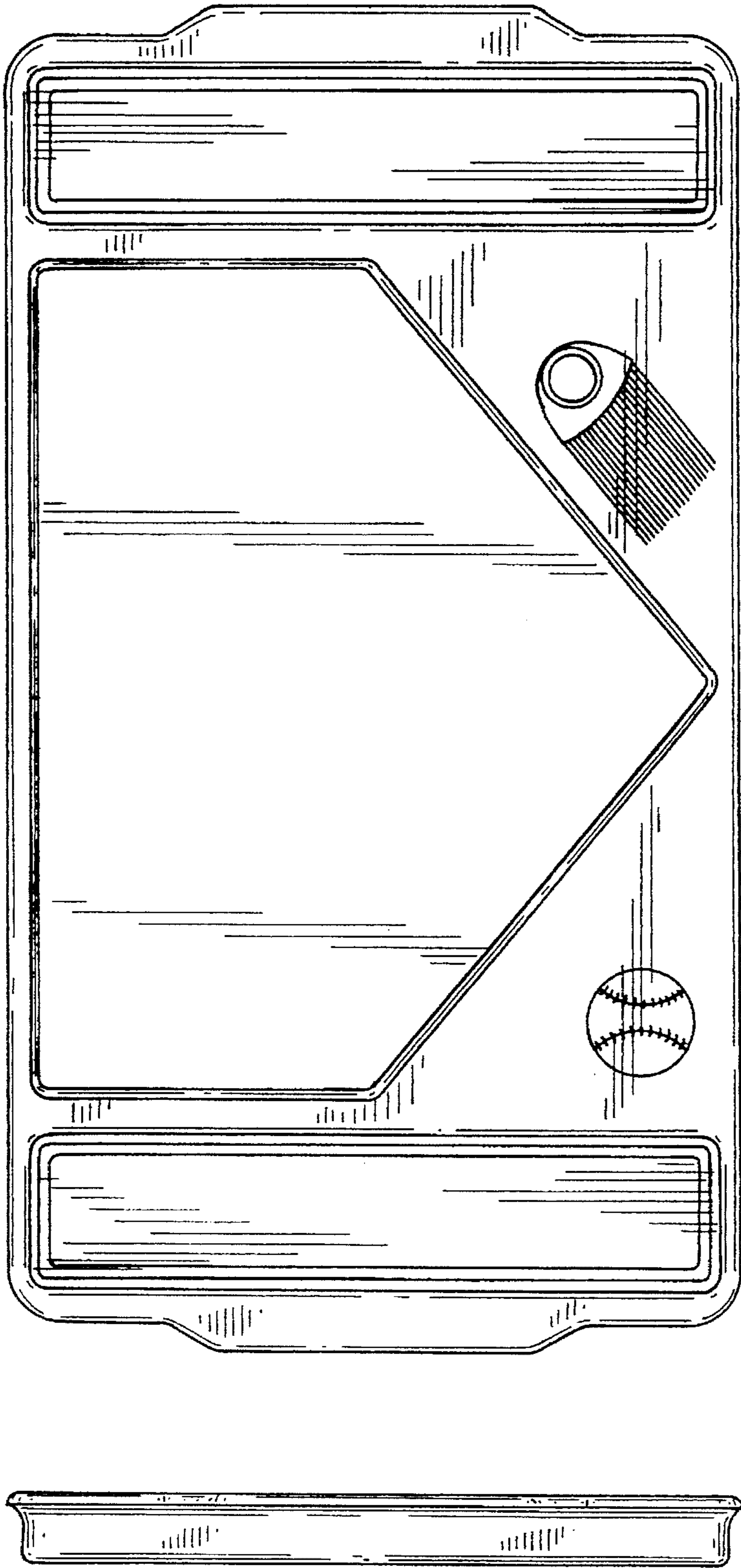


FIG. 3

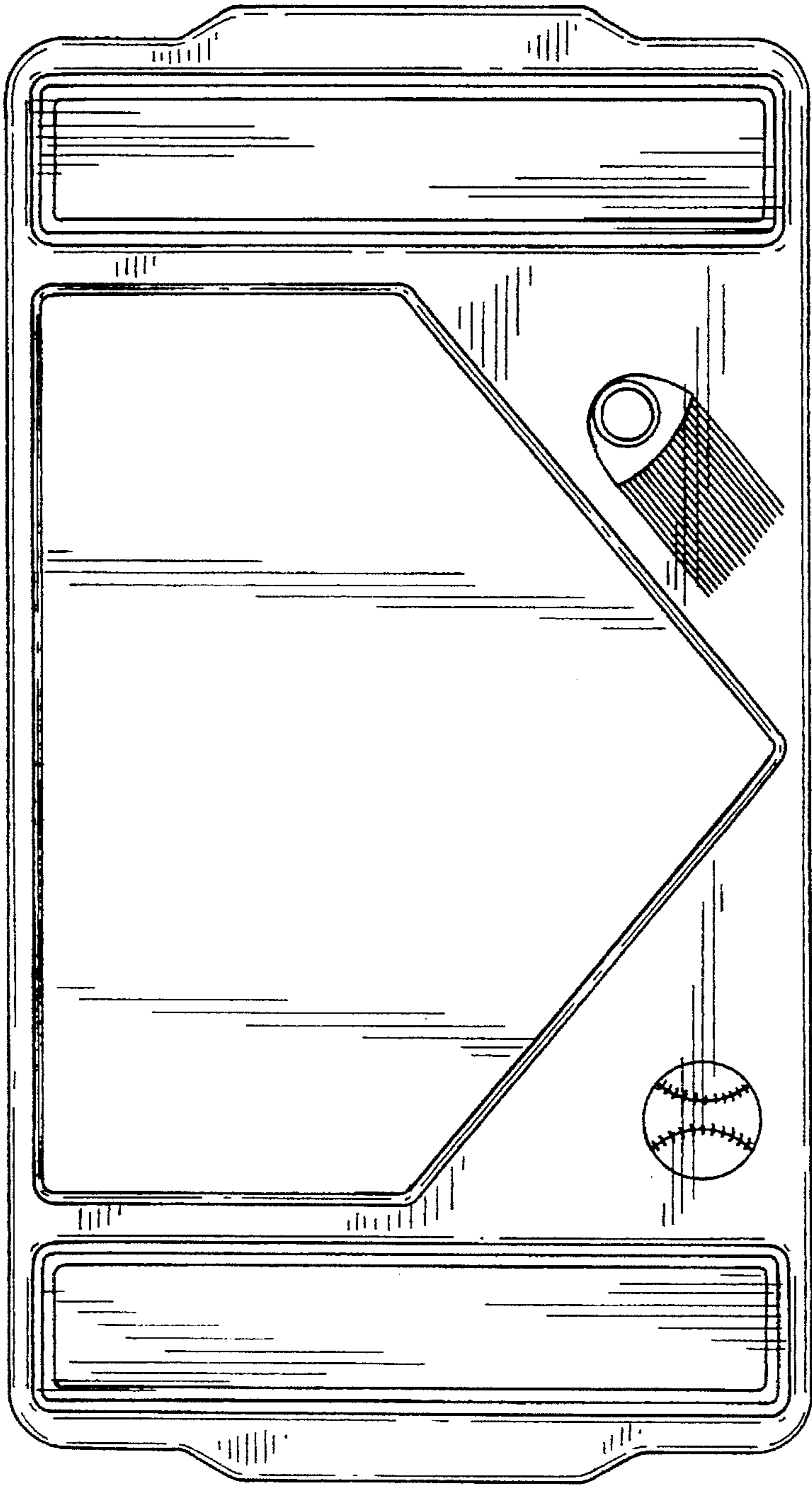


FIG. 2



FIG. 4