



US00D363189S

United States Patent [19]
Griphoff

[11] **Patent Number: Des. 363,189**
[45] **Date of Patent: **Oct. 17, 1995**

[54] **THERMOELECTRIC TABLE FOR KEEPING FOOD HOT OR COLD**

Primary Examiner—Lisa P. Lichtenstein
Attorney, Agent, or Firm—Harness, Dickey & Pierce

[76] **Inventor: Björn Griphoff, Garverigatan 1, 416 64 Gothenburg, Sweden**

[57] **CLAIM**

The ornamental design fo a thermoelectric table for keeping food hot or cold, as shown and described.

[**] **Term: 14 Years**

DESCRIPTION

[21] **Appl. No.: 3,252**

FIG. 1 is a front and left side perspective view of a thermoelectric table for keeping food hot or cold showing my new design;

[22] **Filed: Jan. 4, 1993**

FIG. 2 is a rear and right side perspective view thereof;

[52] **U.S. Cl. D7/362; D6/480; D6/484**

FIG. 3 is a front and left side perspective view of a thermoelectric table for keeping food hot or cold showing a second embodiment of my new design;

[58] **Field of Search D7/402, 323, 346, D7/362, 605, 388, 362, 363, 365, 367; D23/328; 62/3.3, 3.62, 258; 99/447; 392/382-384; 219/460, 455, 459; D6/480, 484, 485, 349**

FIG. 4 is a rear and right side perspective view of FIG. 3; FIG. 5 is a front and top perspective view of a third embodiment of the thermoelectric table for keeping food hot or cold; and,

[56] **References Cited**

U.S. PATENT DOCUMENTS

D. 200,248	2/1965	Vasile	D7/363
D. 340,301	10/1993	Evans et al.	D6/484
491,322	2/1893	Mitchell	D7/388
1,051,967	2/1913	Person	219/460
1,711,472	4/1929	Lewin	219/460
2,015,856	10/1935	Lang	219/459
4,782,664	11/1988	Sterna et al.	62/3.3

FIG. 6 is a rear perspective view of FIG. 5.

The broken line showing of a heating and cooling element in FIGS. 2, 4 and 6 is for illustrative purposes only and forms no part of the claimed design.

1 Claim, 6 Drawing Sheets

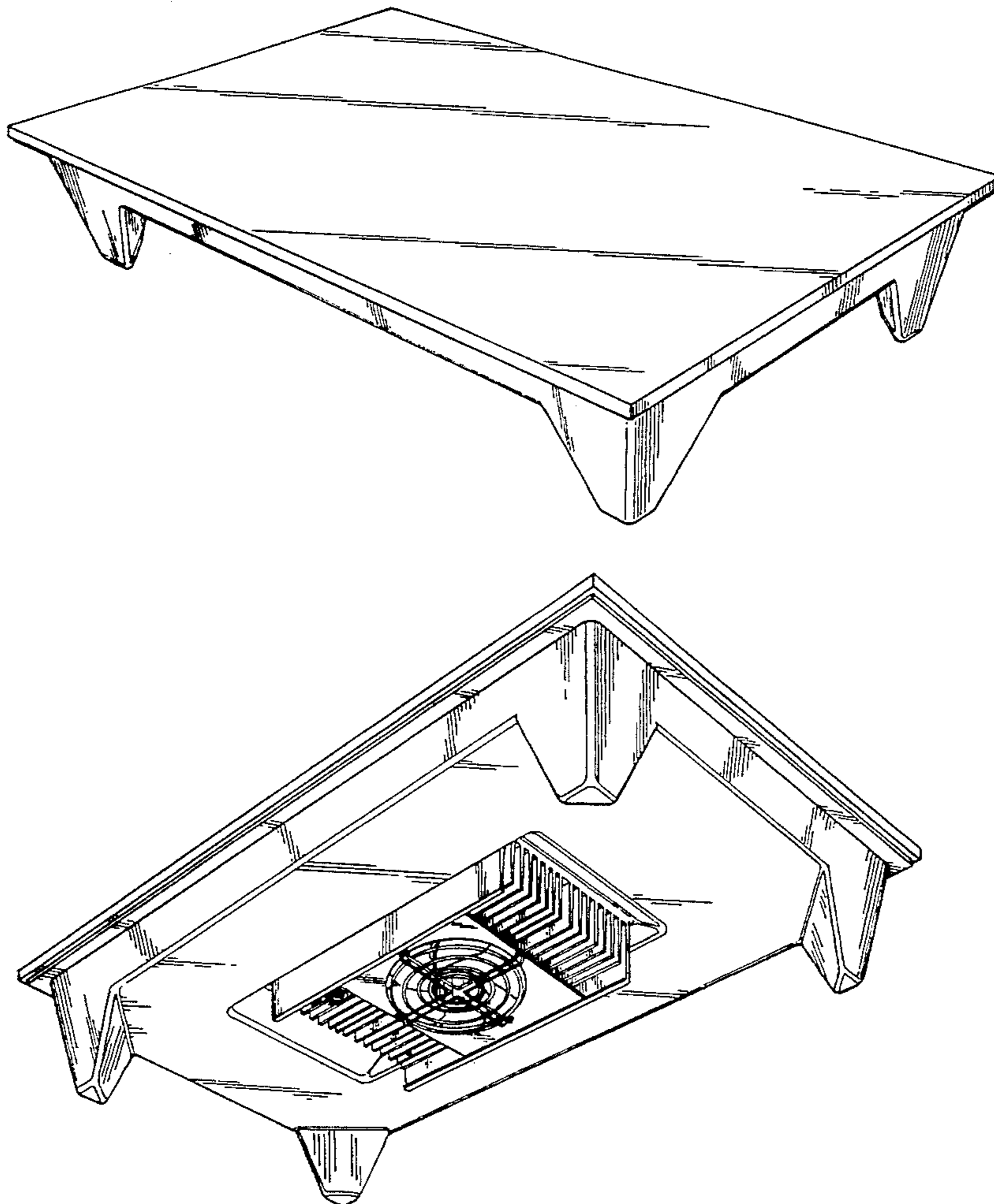
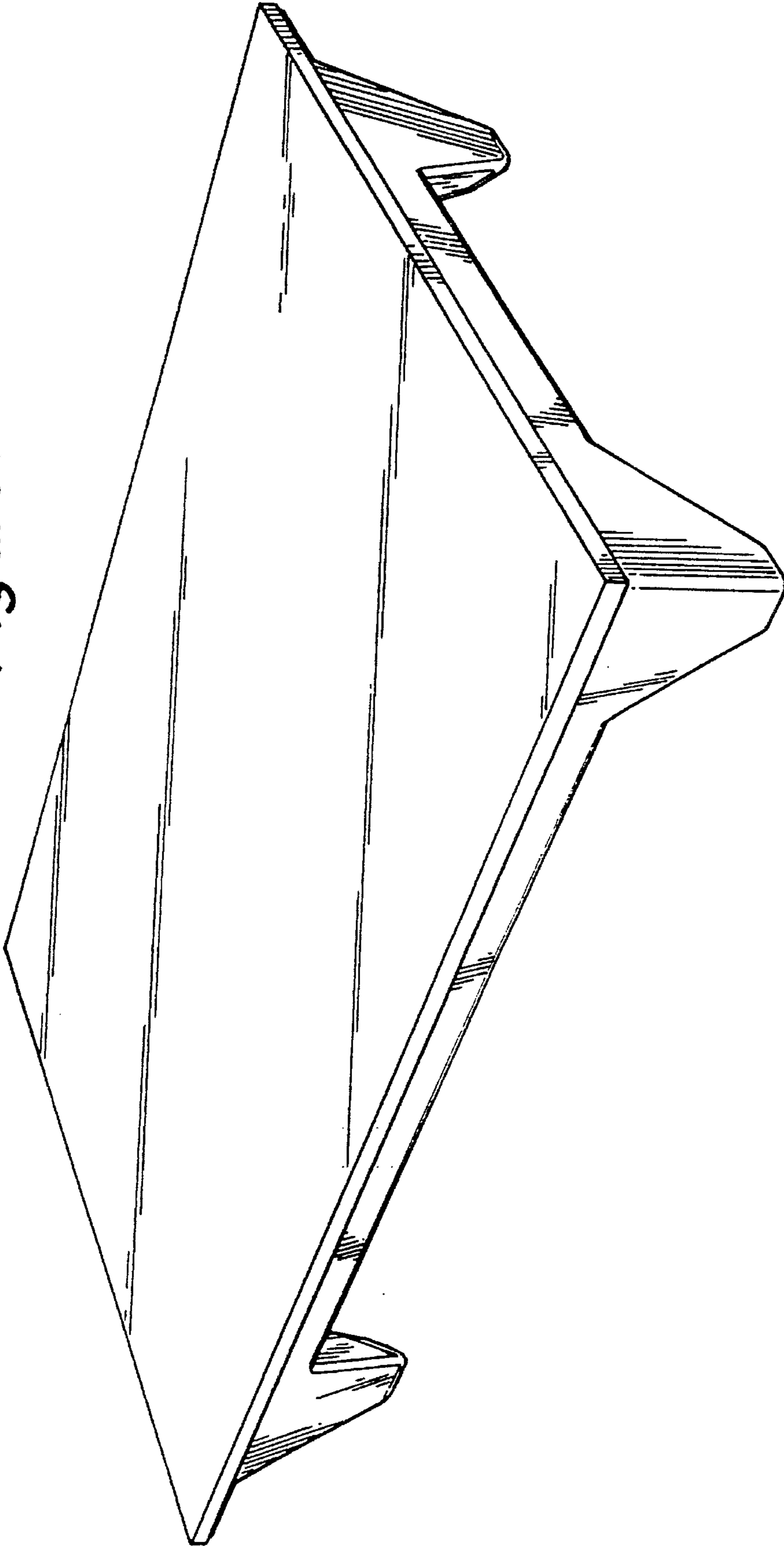


Figure. 1



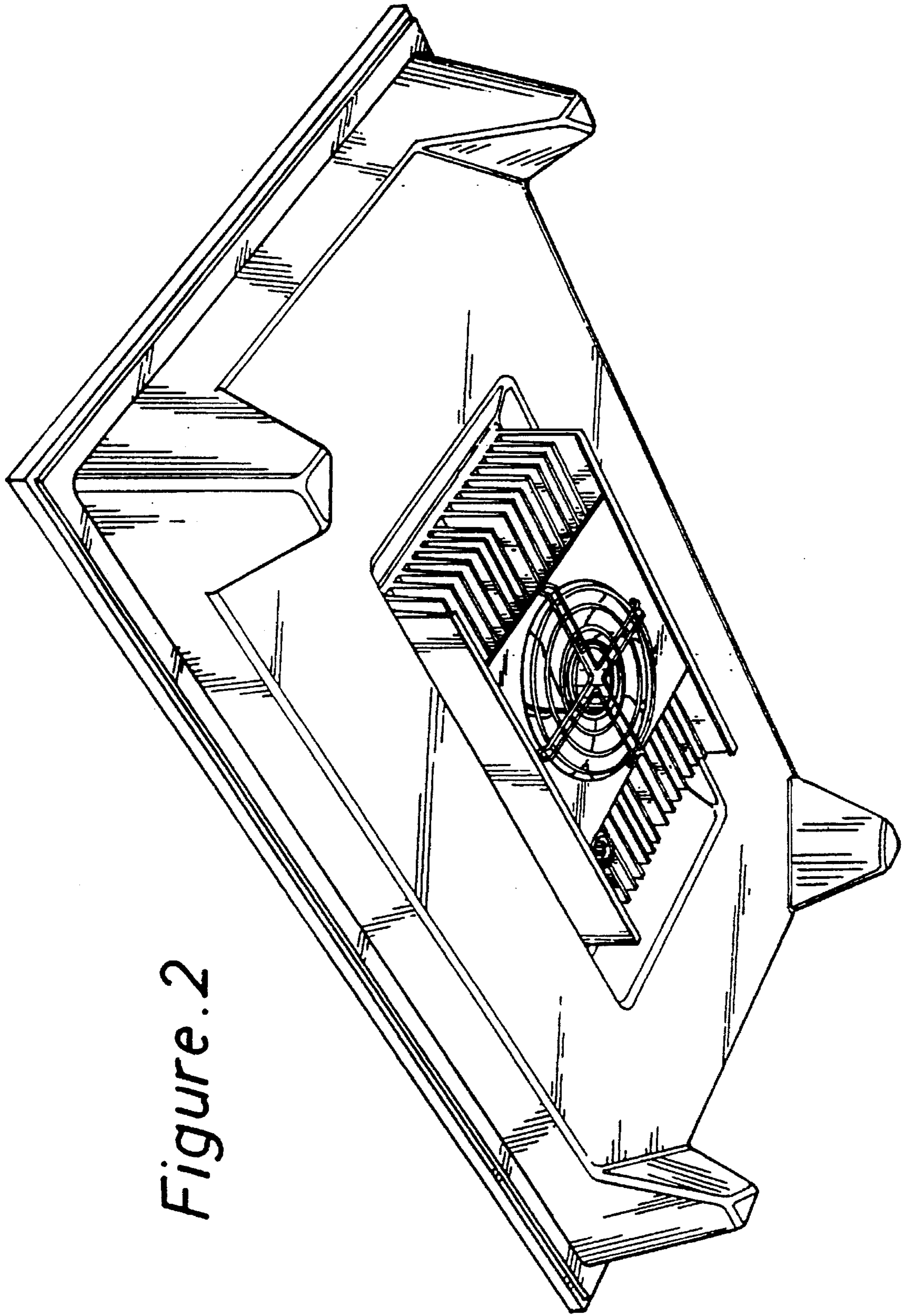


Figure. 2

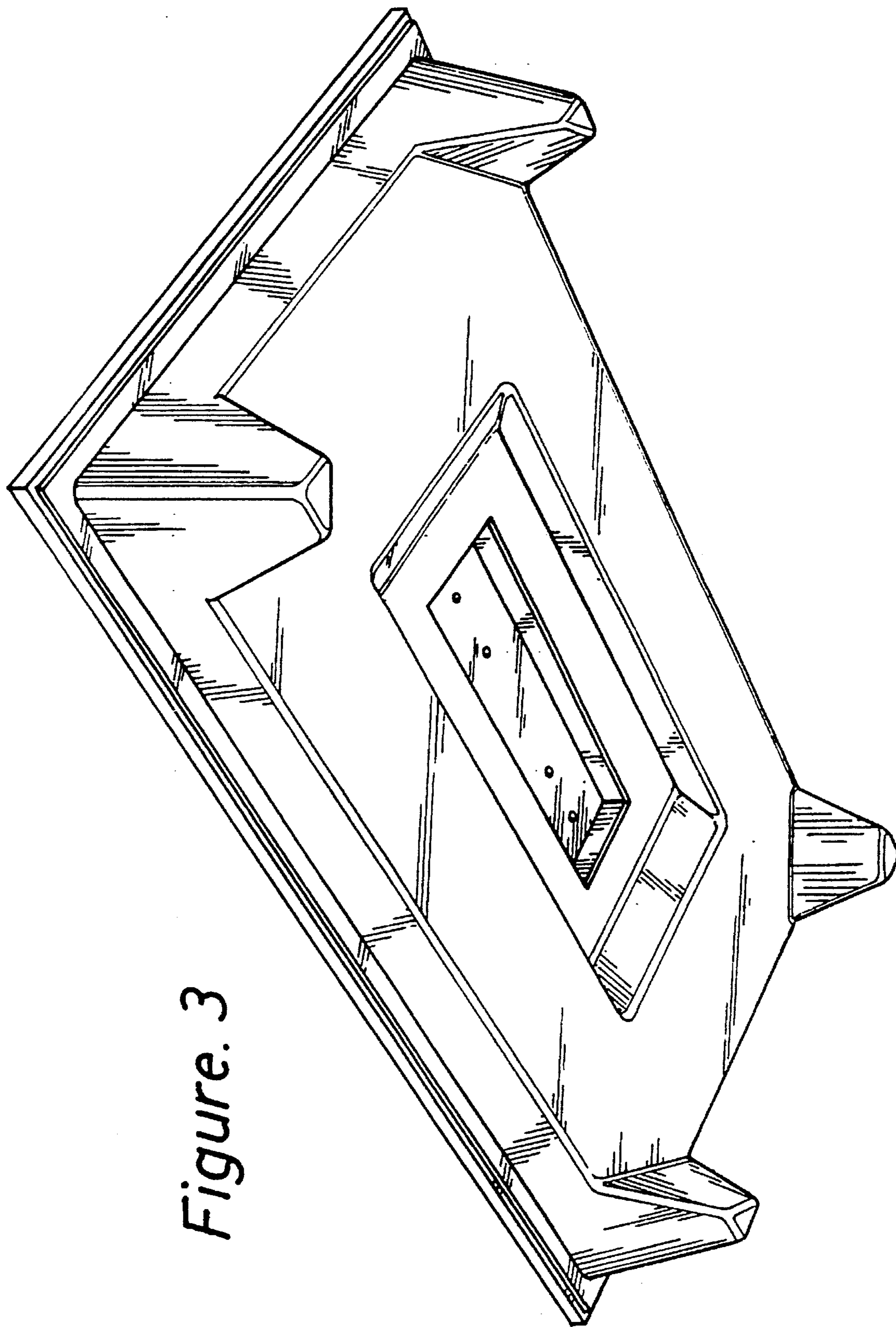


Figure. 3

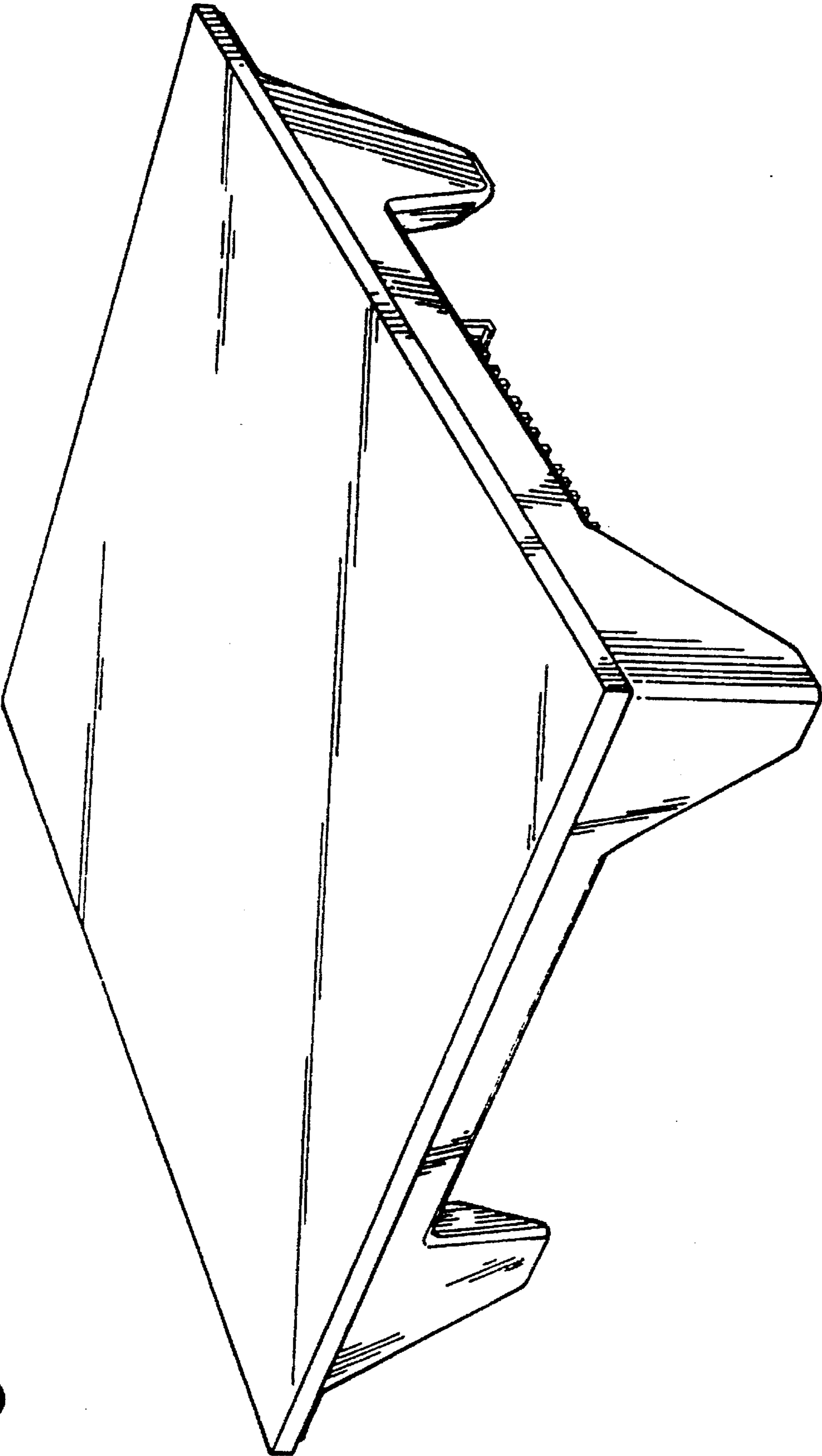


Figure . 4

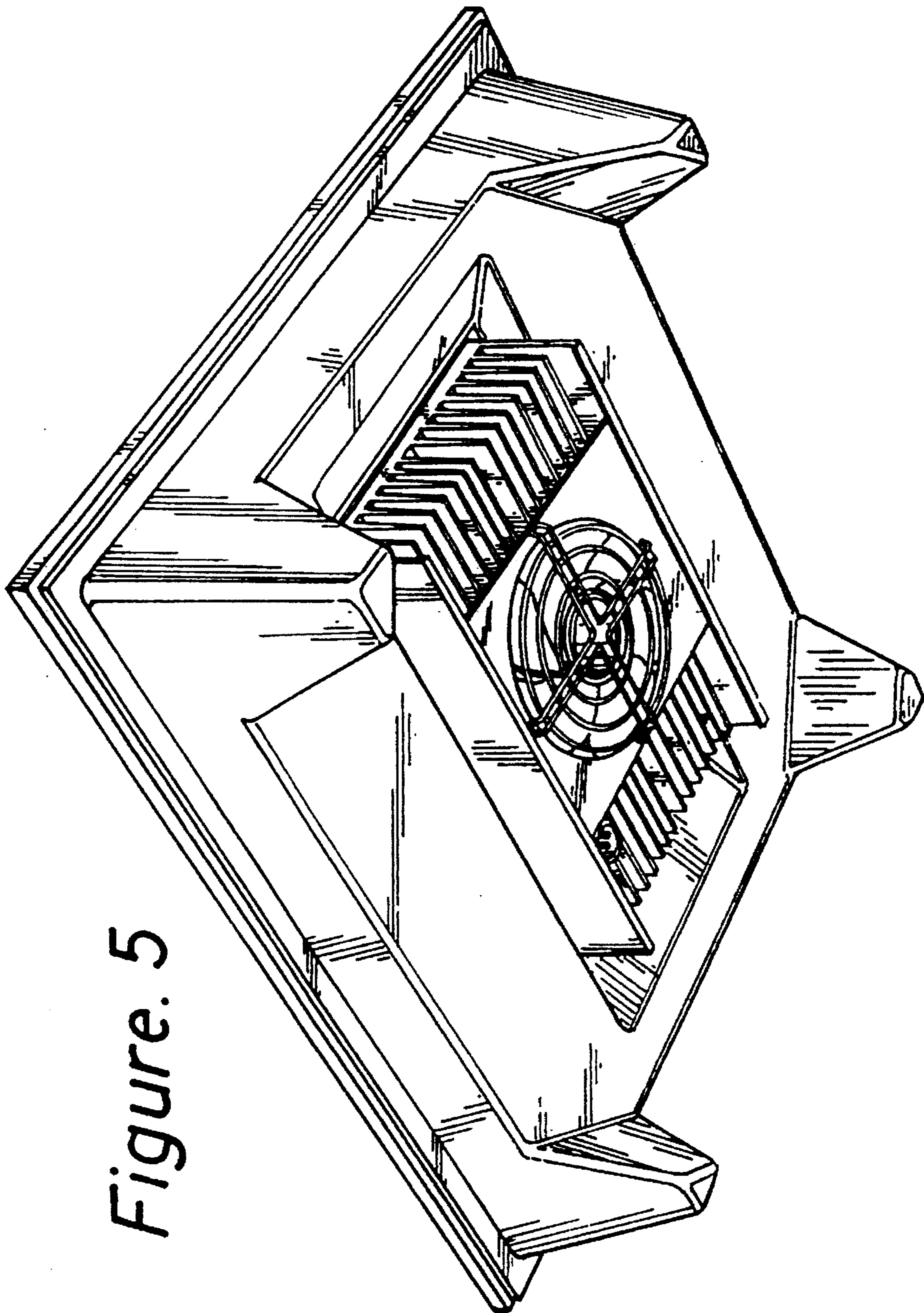


Figure. 5

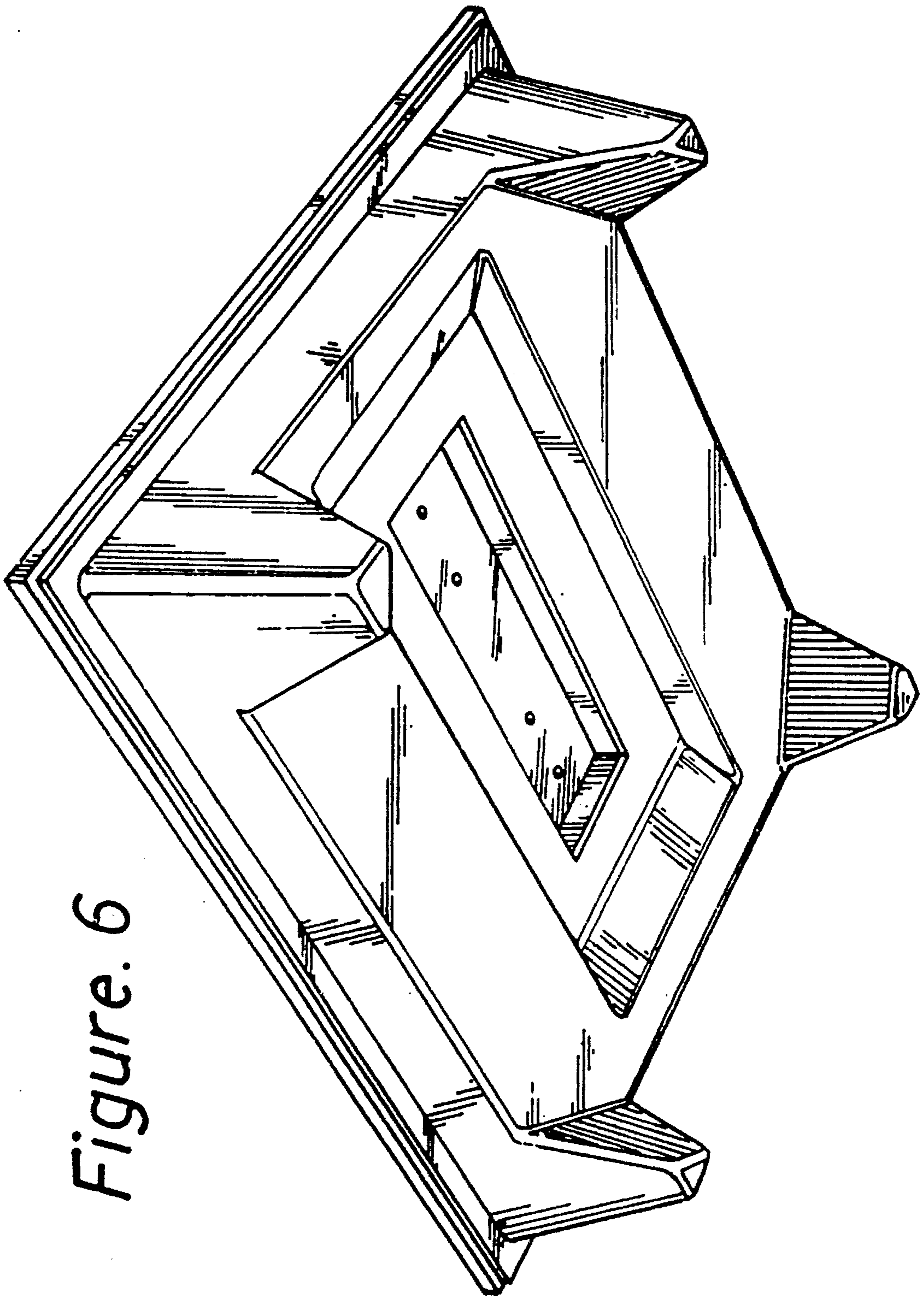


Figure. 6