



US00D363185S

# United States Patent [19] Thompson

[11] **Patent Number:** **Des. 363,185**  
[45] **Date of Patent:** **\*\*Oct. 17, 1995**

[54] **HANGING ORGANIZER FOR HAIR BOWS**

4,966,287 10/1990 Snyder ..... 211/113

[76] Inventor: **Sandra J. Thompson**, 3752 Devils Garden Rd., Medford, Oreg. 97504

*Primary Examiner*—B. J. Bullock

[\*\*] Term: **14 Years**

[57] **CLAIM**

The ornamental design for a hanging organizer for hair bows, as shown.

[21] Appl. No.: **4,654**

[22] Filed: **Feb. 10, 1993**

[52] U.S. Cl. .... **D6/513; D6/315**

[58] Field of Search ..... D6/315, 317, 513, D6/319; 211/113; 223/85

### DESCRIPTION

FIG. 1 is a front elevational view of a hanging organizer for hair bows showing my new design, the rear being a mirror image thereof;

FIG. 2 is a right end elevational view of the hanging organizer for hair bows, the left end being substantially a mirror image thereof;

FIG. 3 is an enlarged view showing the grid design in greater detail; and,

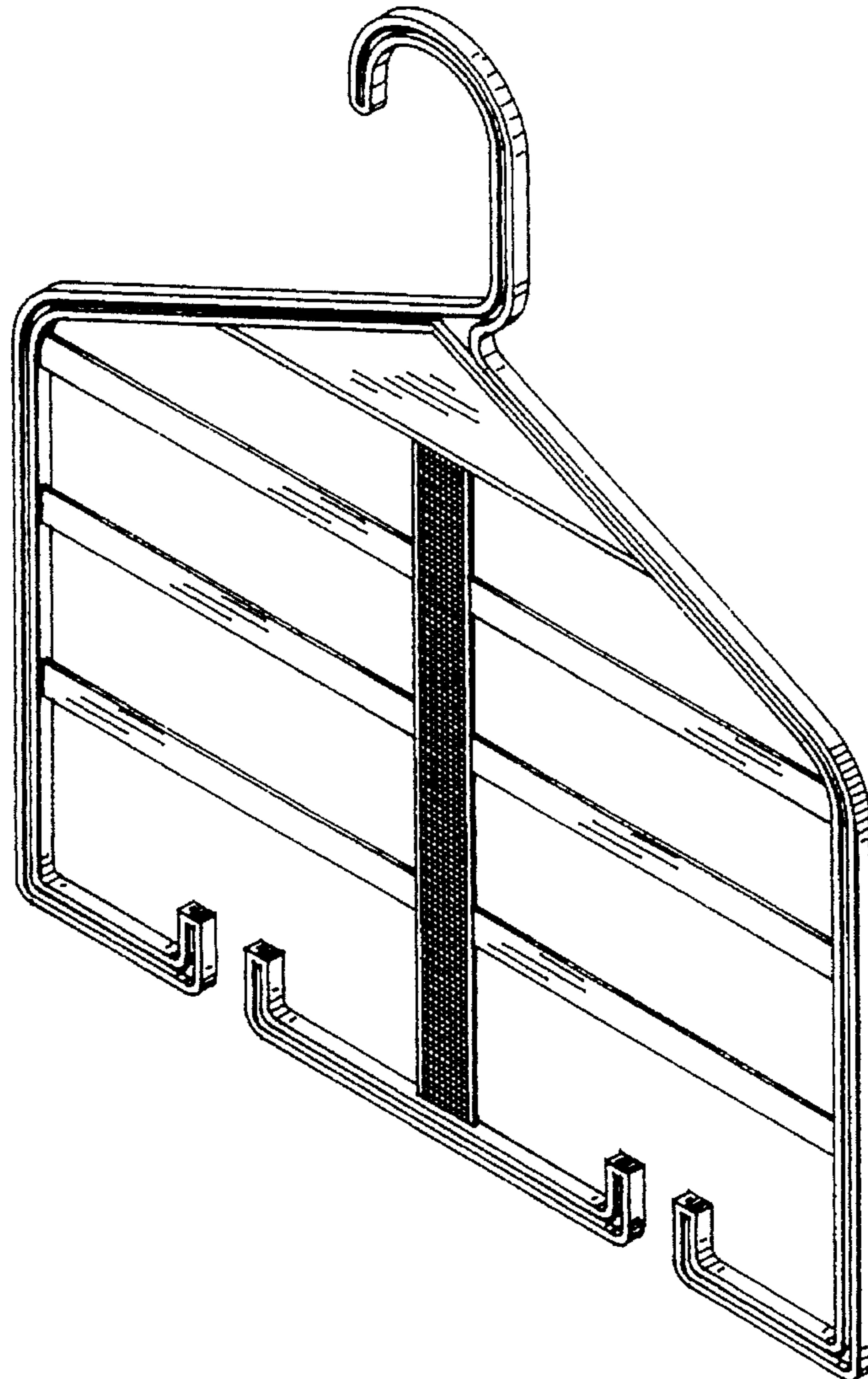
FIG. 4 is a perspective view of the hanging organizer for hair bows.

### [56] References Cited

#### U.S. PATENT DOCUMENTS

D. 275,437	9/1984	Mize	.....	D6/315
D. 320,699	10/1991	Beloe	.....	D6/317
D. 343,749	2/1994	Thompson	.....	D6/513
3,081,881	3/1963	Seeger	.....	211/113
3,378,180	4/1968	Singer	.....	D6/319
4,778,088	10/1988	Miller	.....	211/113

**1 Claim, 1 Drawing Sheet**



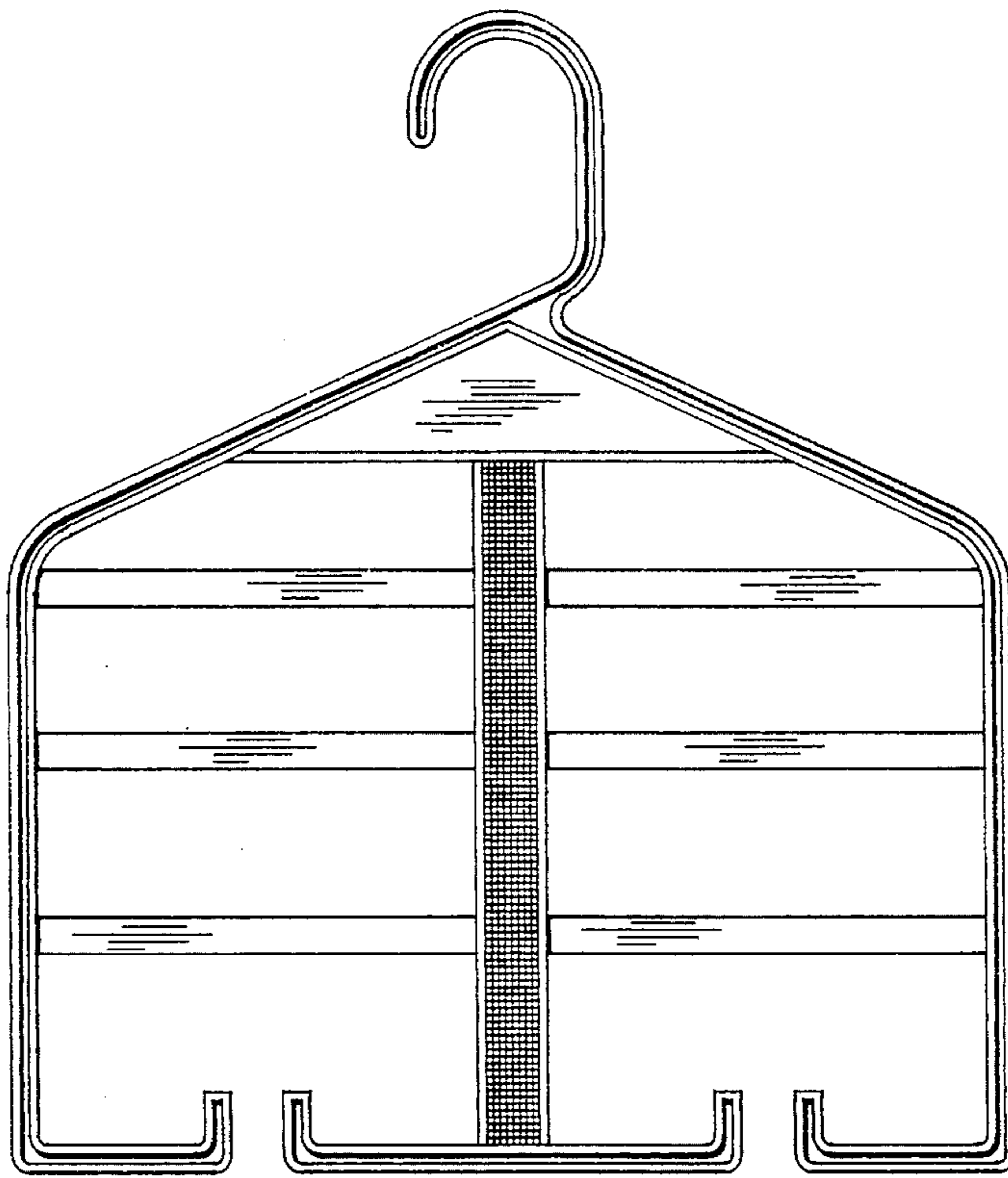


FIG. 1



FIG. 2

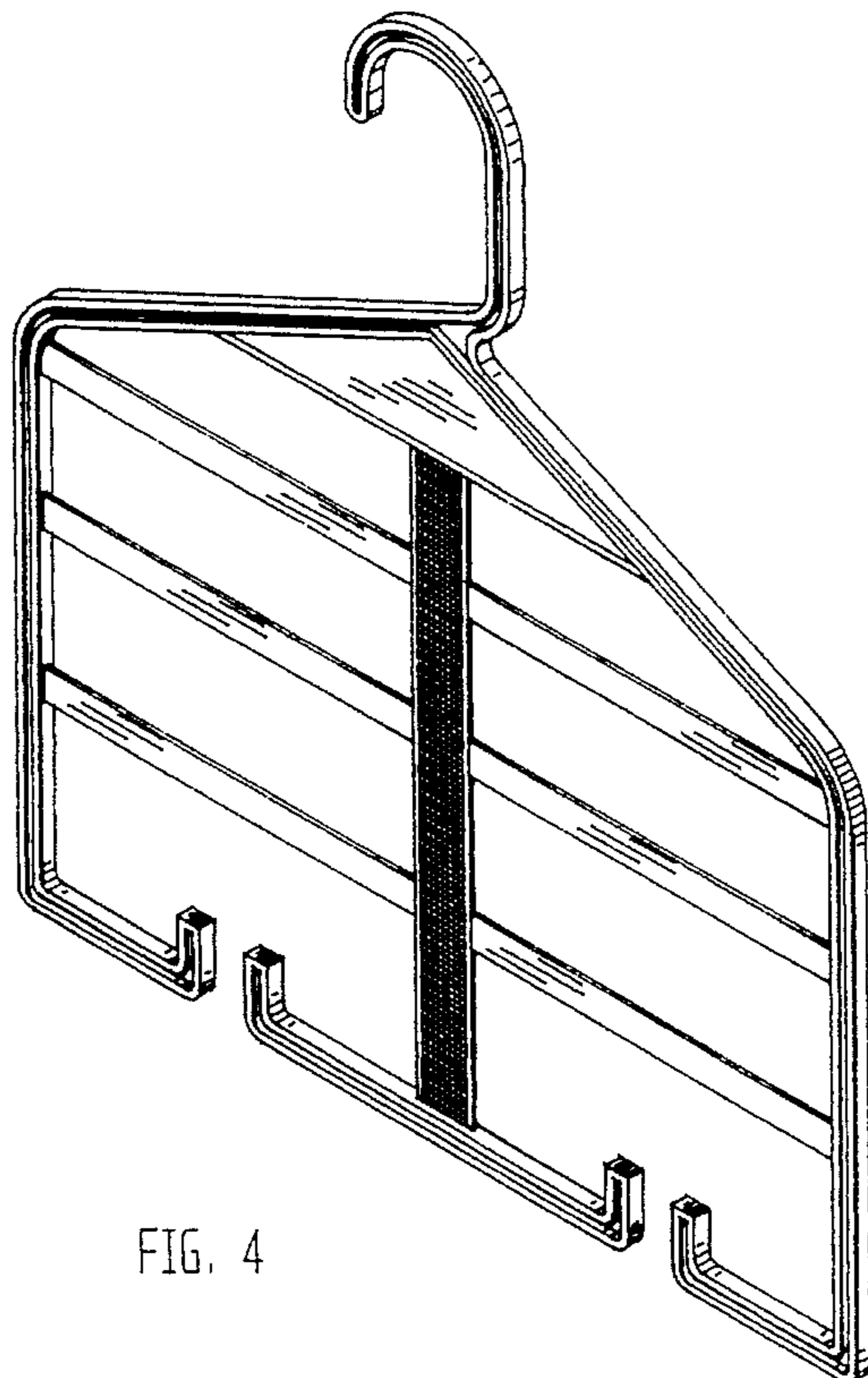


FIG. 4

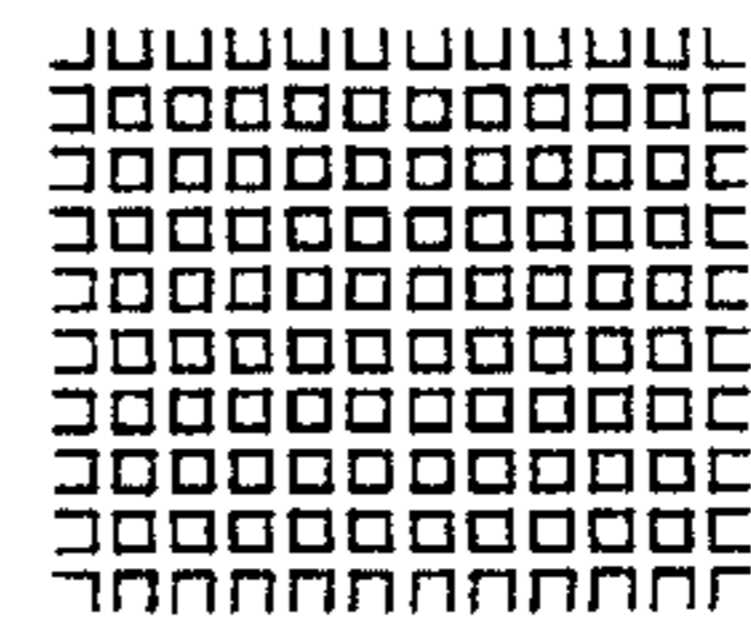


FIG. 3