



US00D363184S

United States Patent [19]

[11] Patent Number: **Des. 363,184**

Elhage

[45] Date of Patent: ****Oct. 17, 1995**

[54] **DISPLAY CASE FOR A BASEBALL AND BAT**

3,220,520 11/1965 Glantz 206/315.9

[76] Inventor: **Jim Elhage**, 80 Speers Rd., Unit #308,
Oakville, Ontario, Canada, L6K 2E6

Primary Examiner—Brian N. Vinson
Attorney, Agent, or Firm—Rogers & Scott

[**] Term: **14 Years**

[57] **CLAIM**

The ornamental design for a display case for a baseball and bat, as shown and described.

[21] Appl. No.: **31,541**

[22] Filed: **Nov. 21, 1994**

DESCRIPTION

[30] **Foreign Application Priority Data**

Sep. 12, 1994 [CA] Canada 1994-1777

[52] **U.S. Cl.** **D6/552**

[58] **Field of Search** D6/552, 559, 553;
206/315.1, 315.9, 44 R, 461, 471; 211/13,
14, 60.1, 71, 86-88, 126; 248/309.1, 311.2,
314; 312/234

FIG. 1 is a top, front, and right side perspective view of a display case for a baseball and bat showing my new design; FIG. 2 is a bottom, rear and left side perspective view thereof;

FIG. 3 is an enlarged right side elevational view thereof; FIG. 4 is a top, front and right side perspective view of a second embodiment of a display case for a baseball and bat showing my new design;

FIG. 5 is a bottom, rear; and left side perspective view thereof; and,

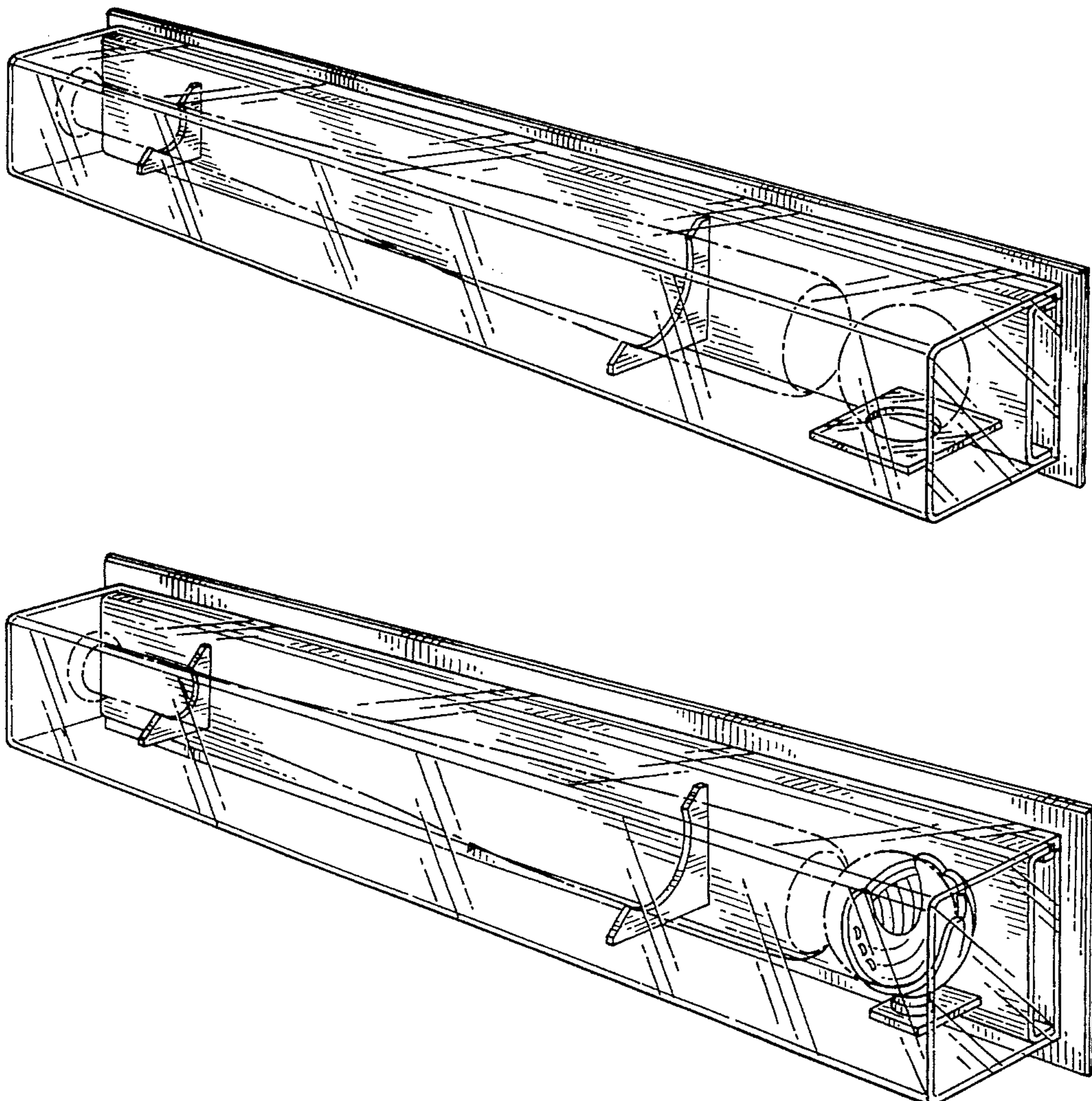
FIG. 6 is an enlarged right side elevational view thereof. The broken-line disclosure of a baseball and bat in the views is for illustrative purposes only and forms no part of the claimed design.

[56] **References Cited**

U.S. PATENT DOCUMENTS

- D. 257,923 1/1981 Wolfe, Sr. D6/552
- D. 314,302 2/1991 Snow D6/552
- D. 324,793 3/1992 Johnson D6/552
- D. 334,886 4/1993 Cortelli et al. D6/552 X

1 Claim, 6 Drawing Sheets



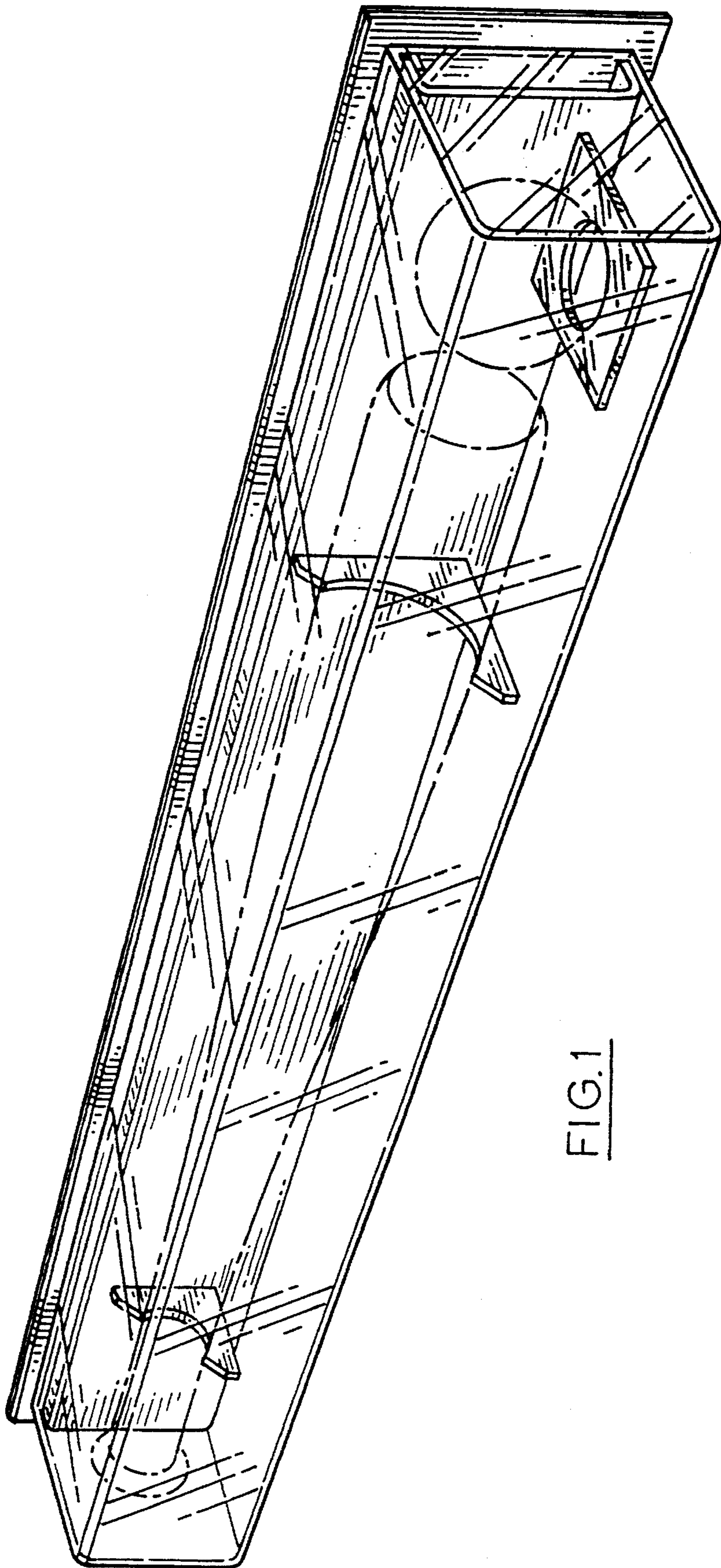


FIG.1

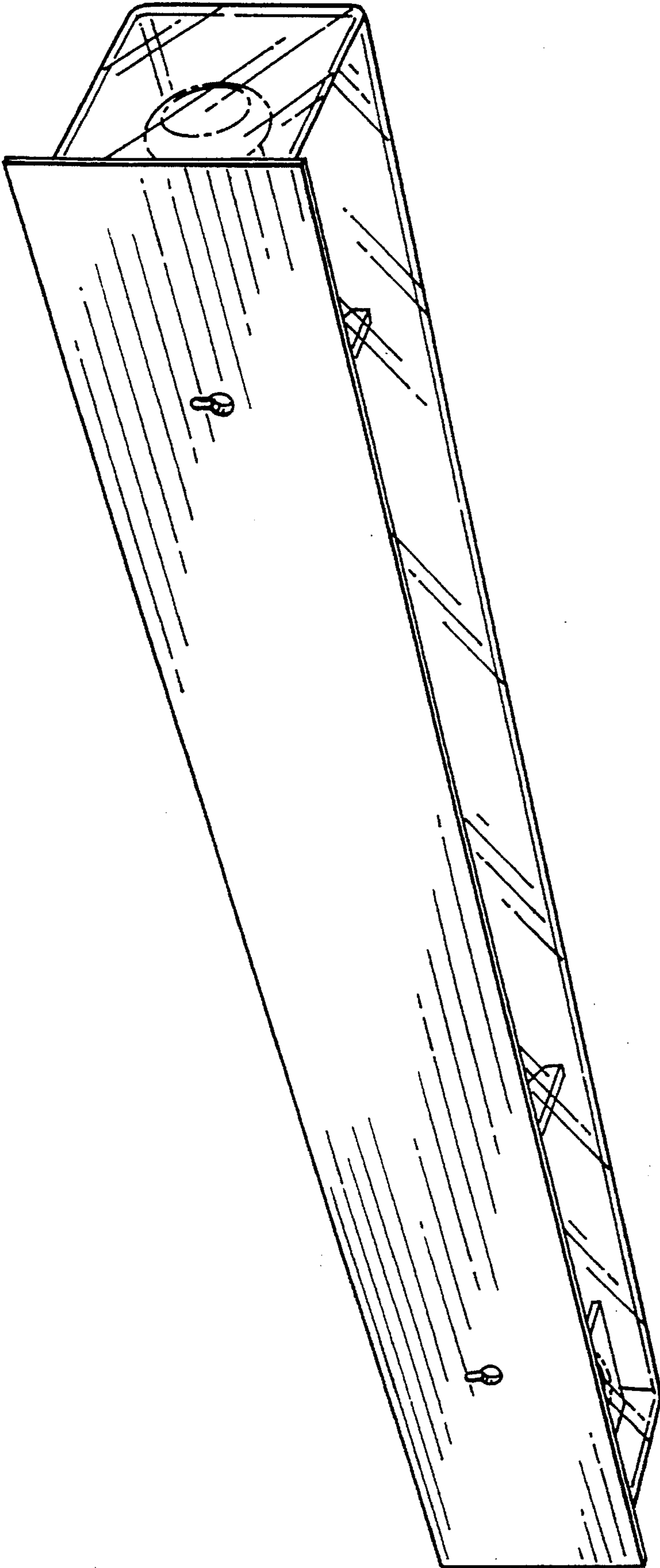


FIG. 2

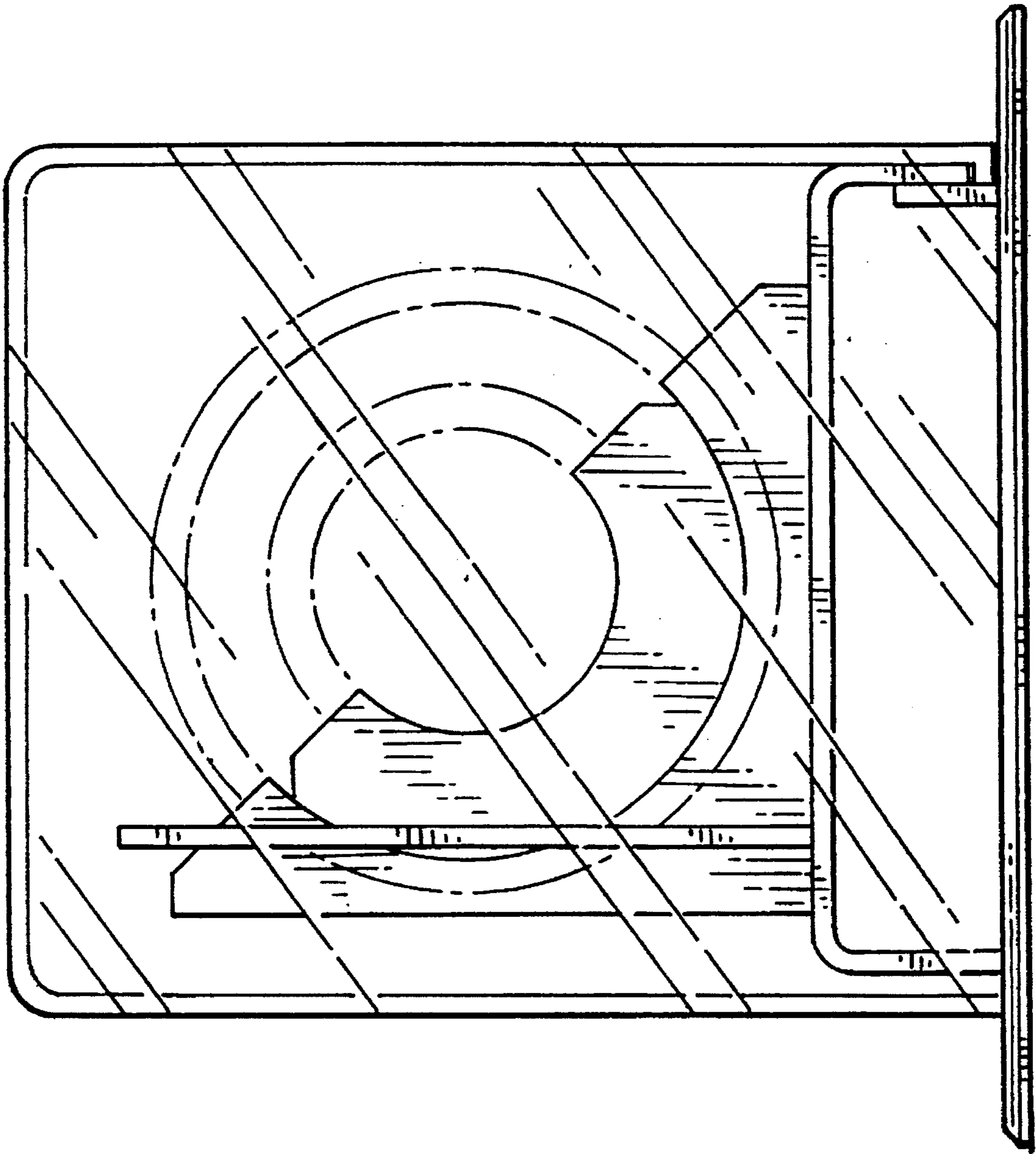


FIG. 3

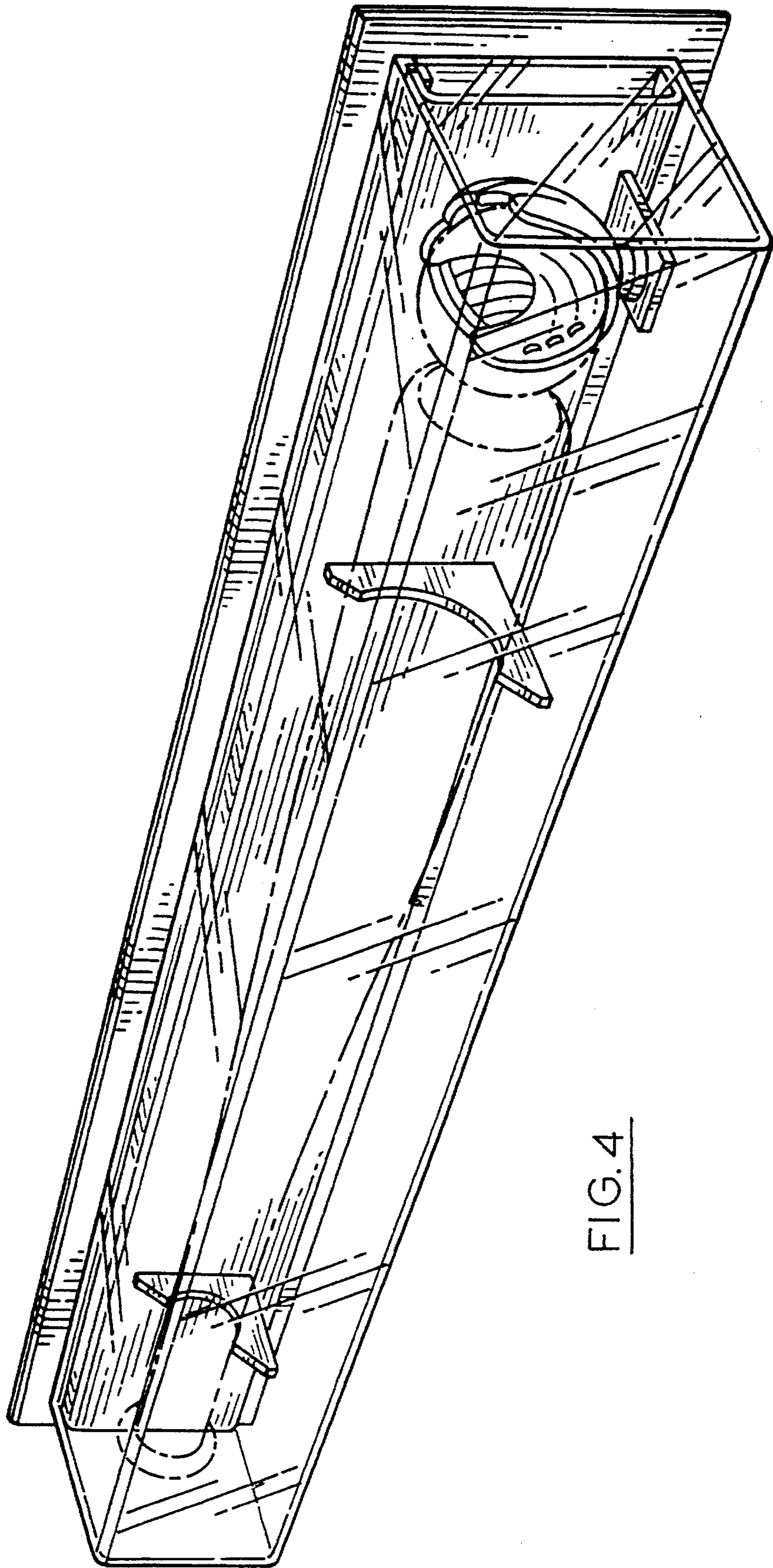


FIG. 4

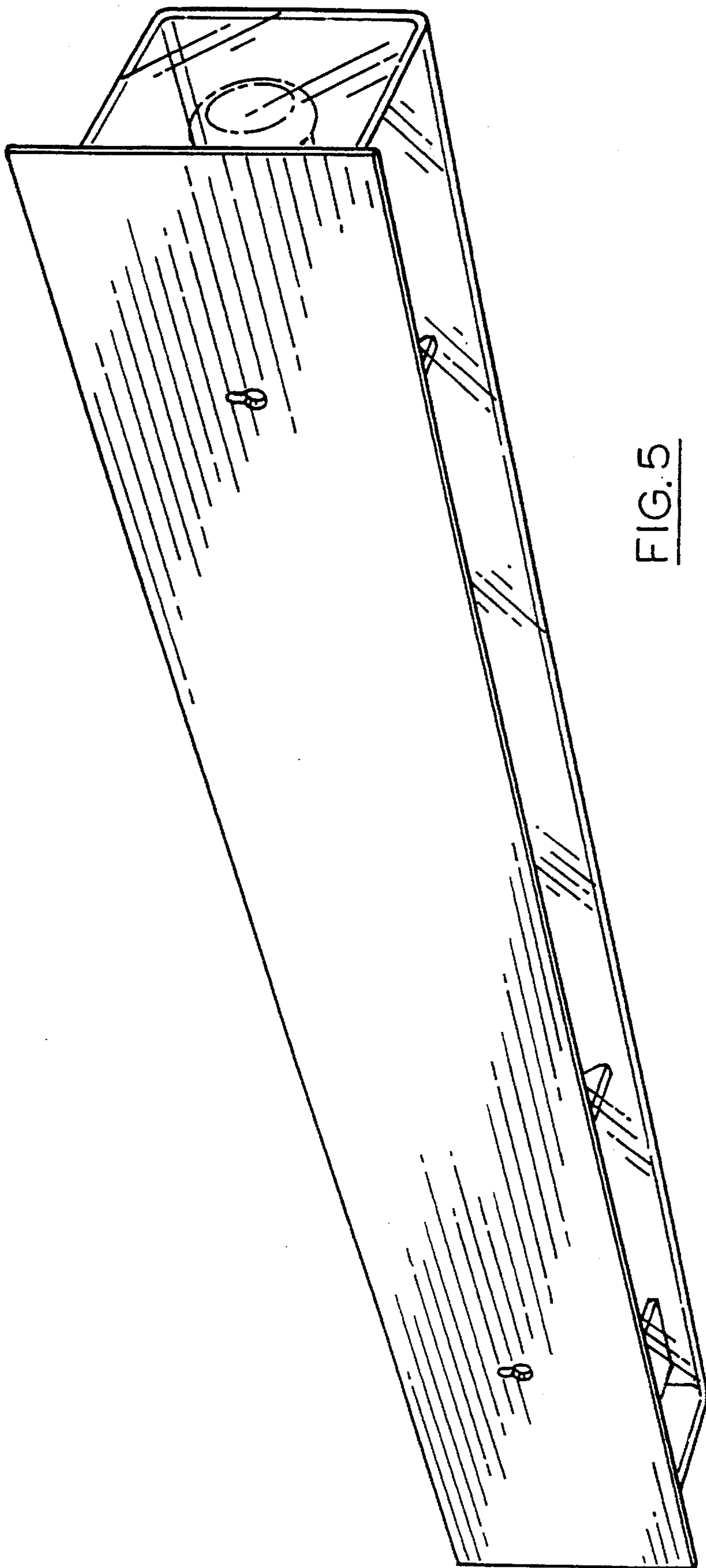


FIG. 5

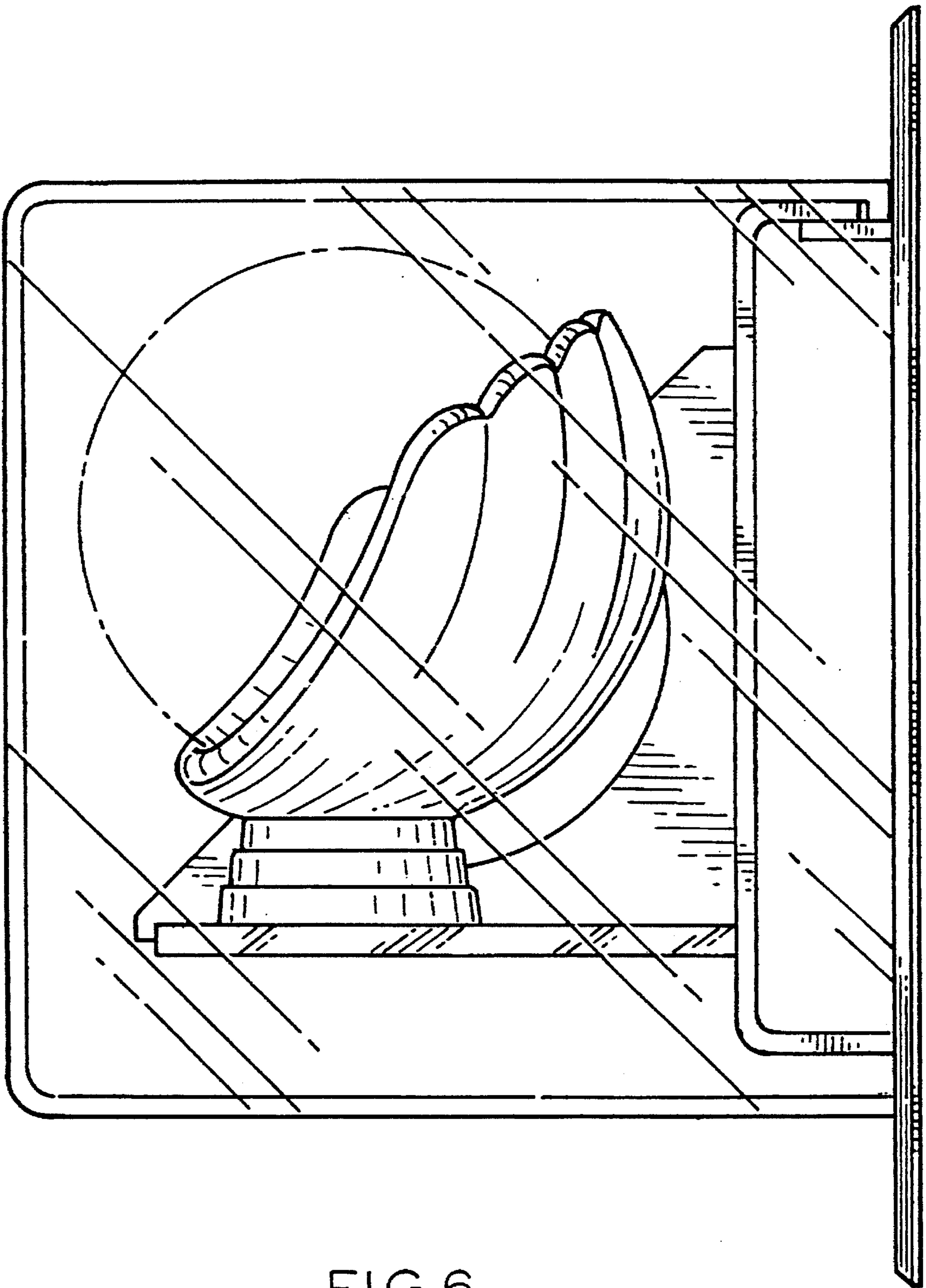


FIG. 6