



US00D363183S

United States Patent [19]
Starck

[11] **Patent Number:** **Des. 363,183**
[45] **Date of Patent:** ****Oct. 17, 1995**

[54] **TOWEL RING**

D. 329,559 9/1992 Paul D6/546 X
D. 346,950 5/1994 Dunn et al. D8/367

[75] Inventor: **Philippe Starck**, Montfort L'Amaury,
France

OTHER PUBLICATIONS

[73] Assignee: **Hans Grohe GmbH & Co. KG**,
Germany

Baldwin Bath Epic Accesories Catalogue (1987) p. 12, Palm
Springs Towel Ring.

[**] Term: **14 Years**

Primary Examiner—Brian N. Vinson
Attorney, Agent, or Firm—Eckert Seamans Cherin & Mellott

[21] Appl. No.: **26,711**

[57] **CLAIM**

[22] Filed: **Aug. 4, 1994**

The ornamental design for a towel ring, as shown and
described.

[30] **Foreign Application Priority Data**

DESCRIPTION

Feb. 8, 1994 [DE] Germany 94 01 167.2

[52] **U.S. Cl.** **D6/546**

[58] **Field of Search** D6/546-550; D8/367;
211/13, 16, 86-87, 123, 181; 248/176,
302, 309.1, 315

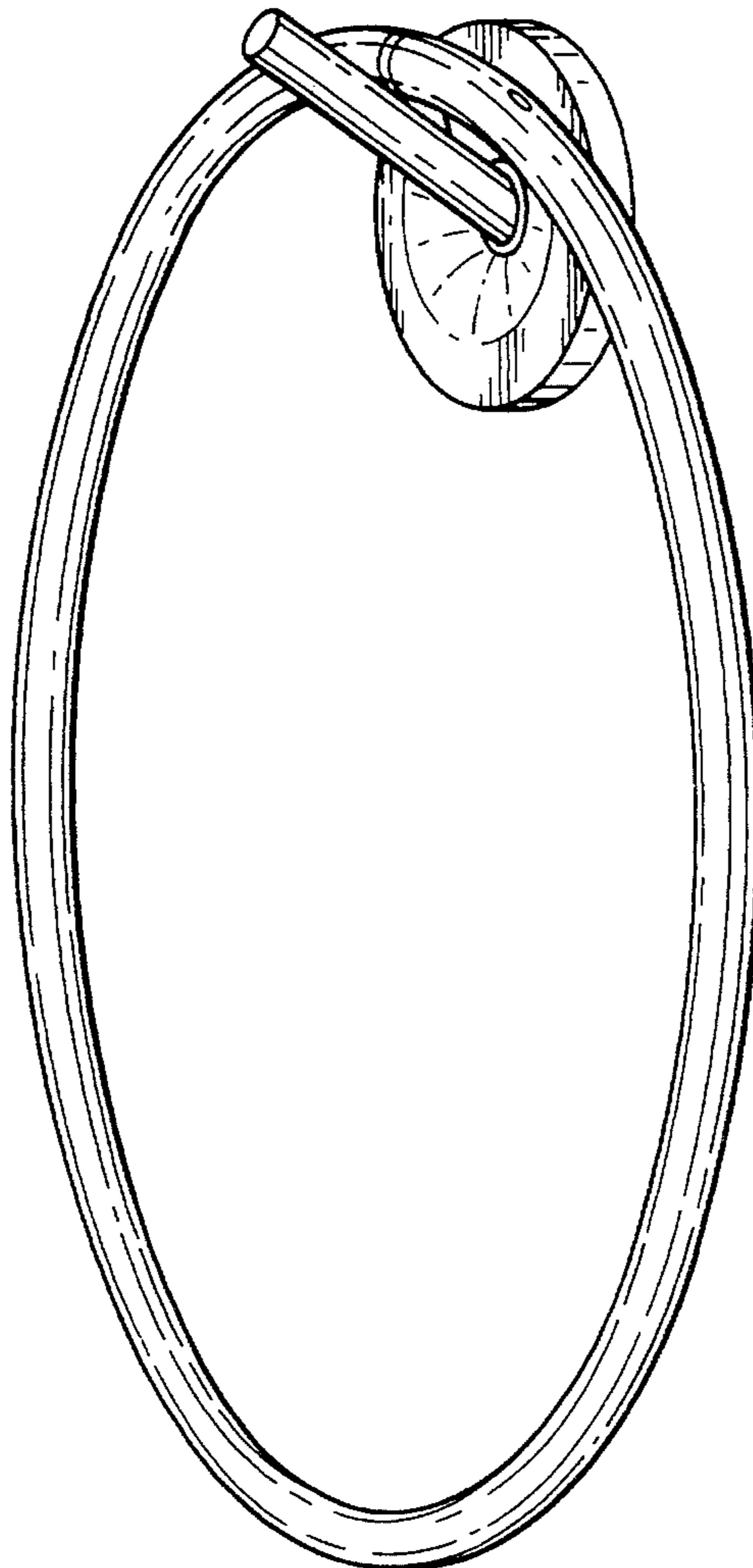
FIG. 1 is a side perspective view taken from the front and
right side of a towel ring showing my new design;
FIG. 2 is a front elevation view thereof;
FIG. 3 is a right side elevation view thereof;
FIG. 4 is a top plan view thereof;
FIG. 5 is a bottom plan view thereof;
FIG. 6 is a rear elevation view thereof; and,
FIG. 7 is a left side elevation view thereof.

[56] **References Cited**

U.S. PATENT DOCUMENTS

D. 270,503 9/1983 Cohen D6/546
D. 296,759 7/1988 Greenhut et al. D8/367

1 Claim, 4 Drawing Sheets



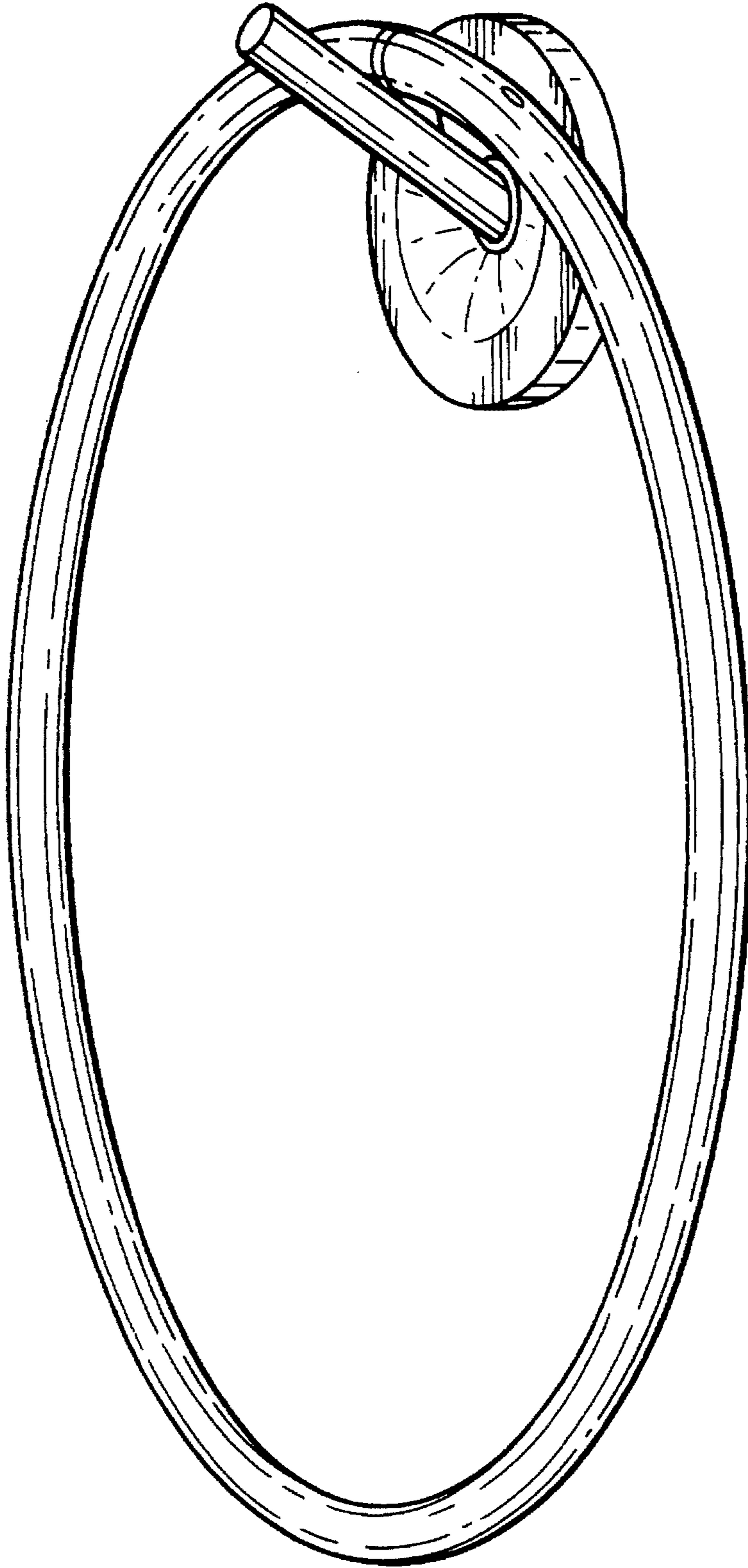


Fig. 1

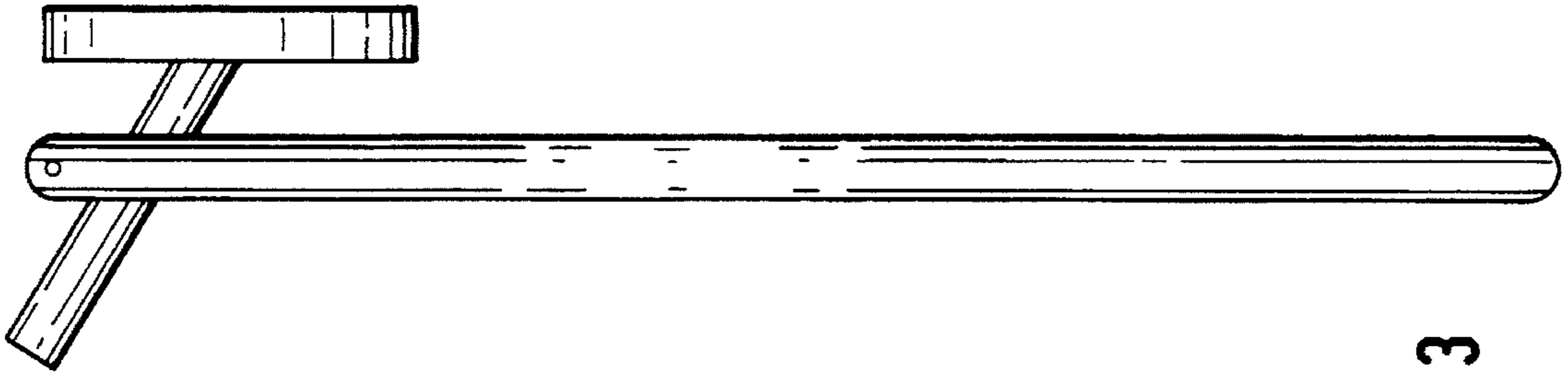


Fig. 3

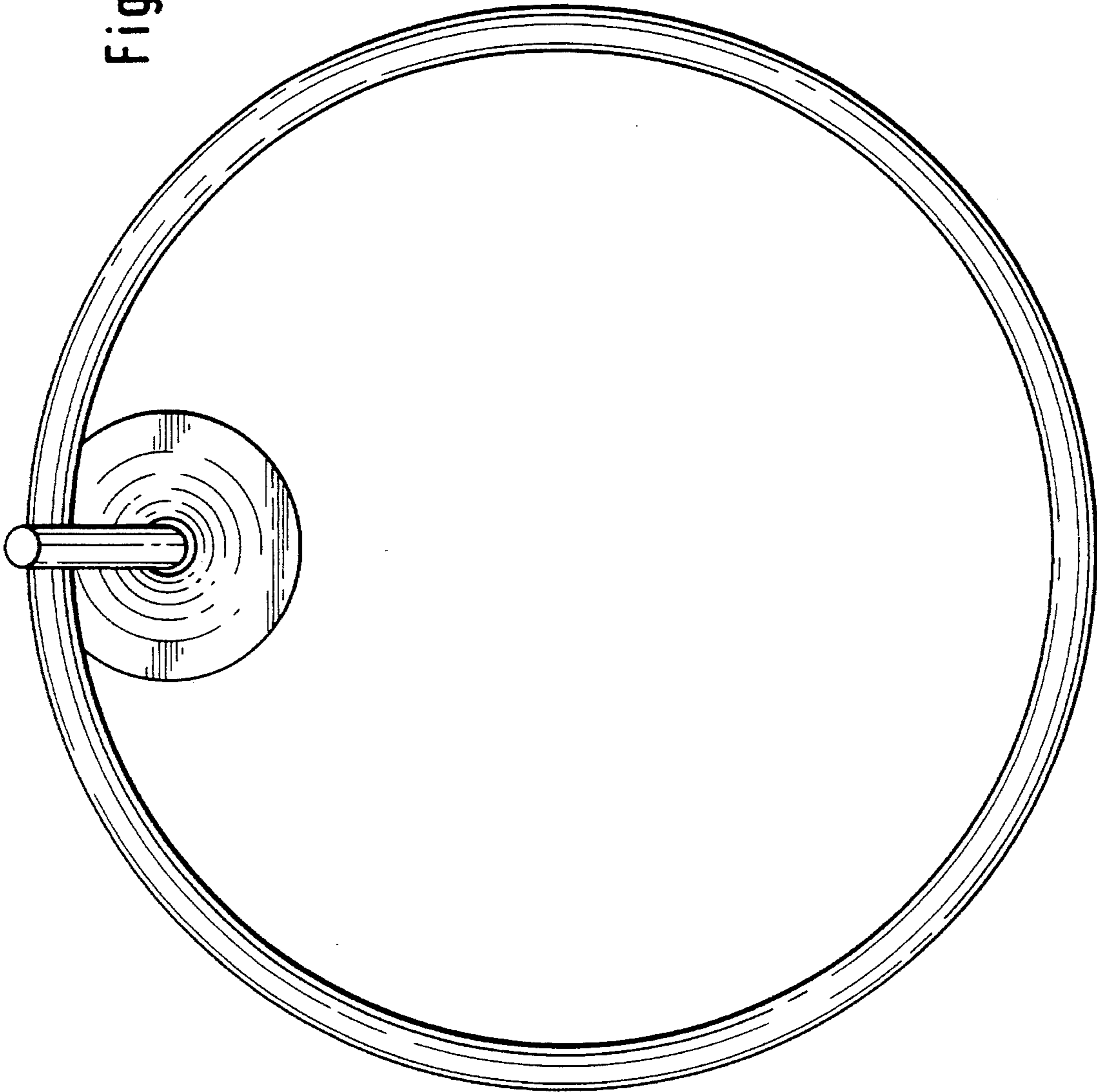


Fig. 2

Fig. 4

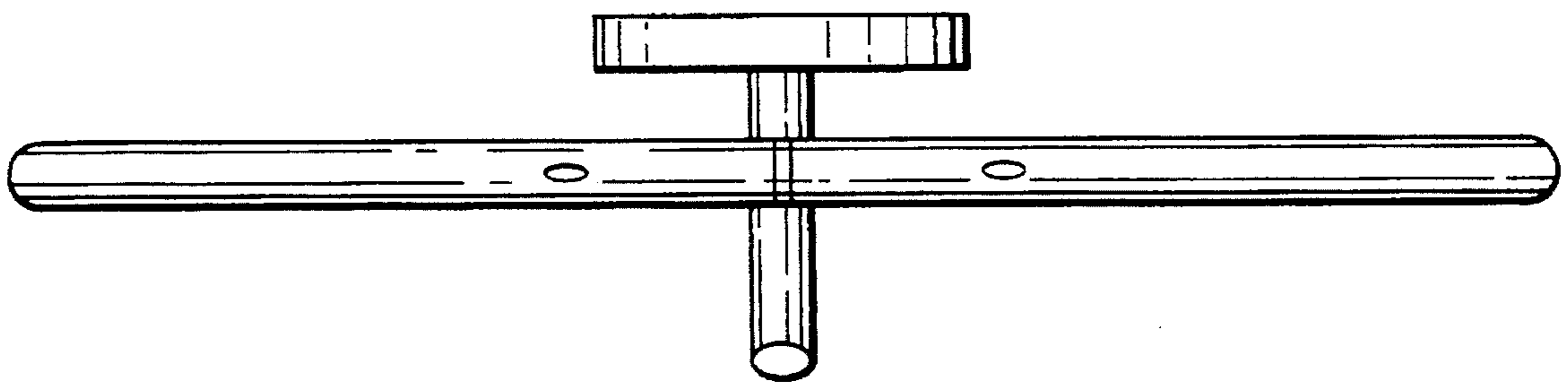
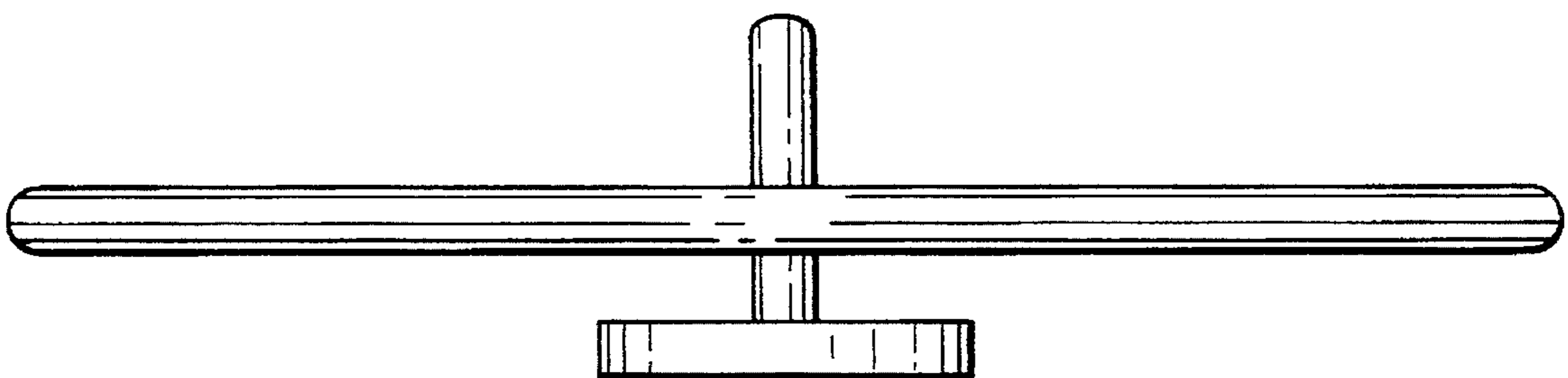


Fig. 5



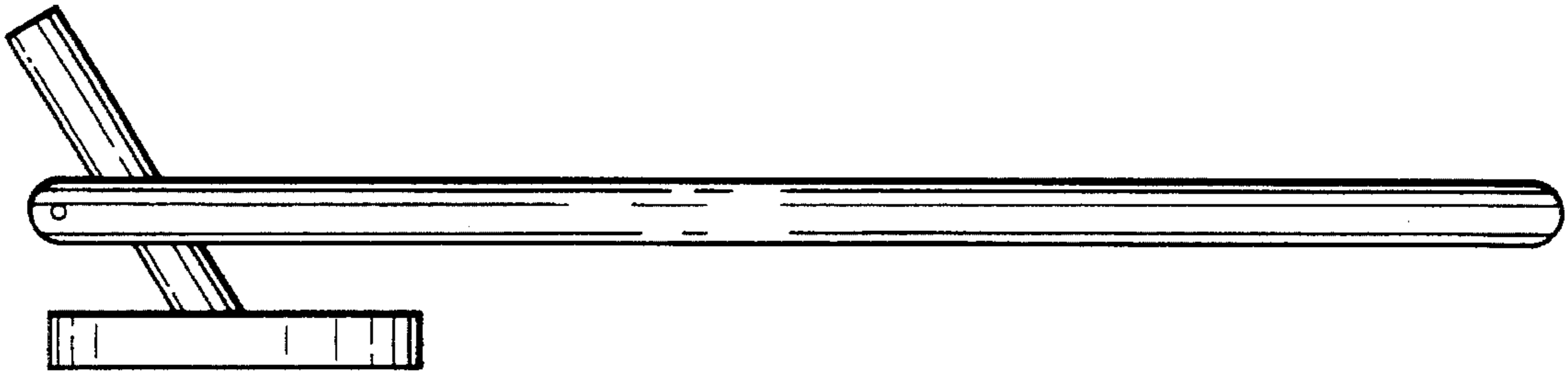


Fig. 7

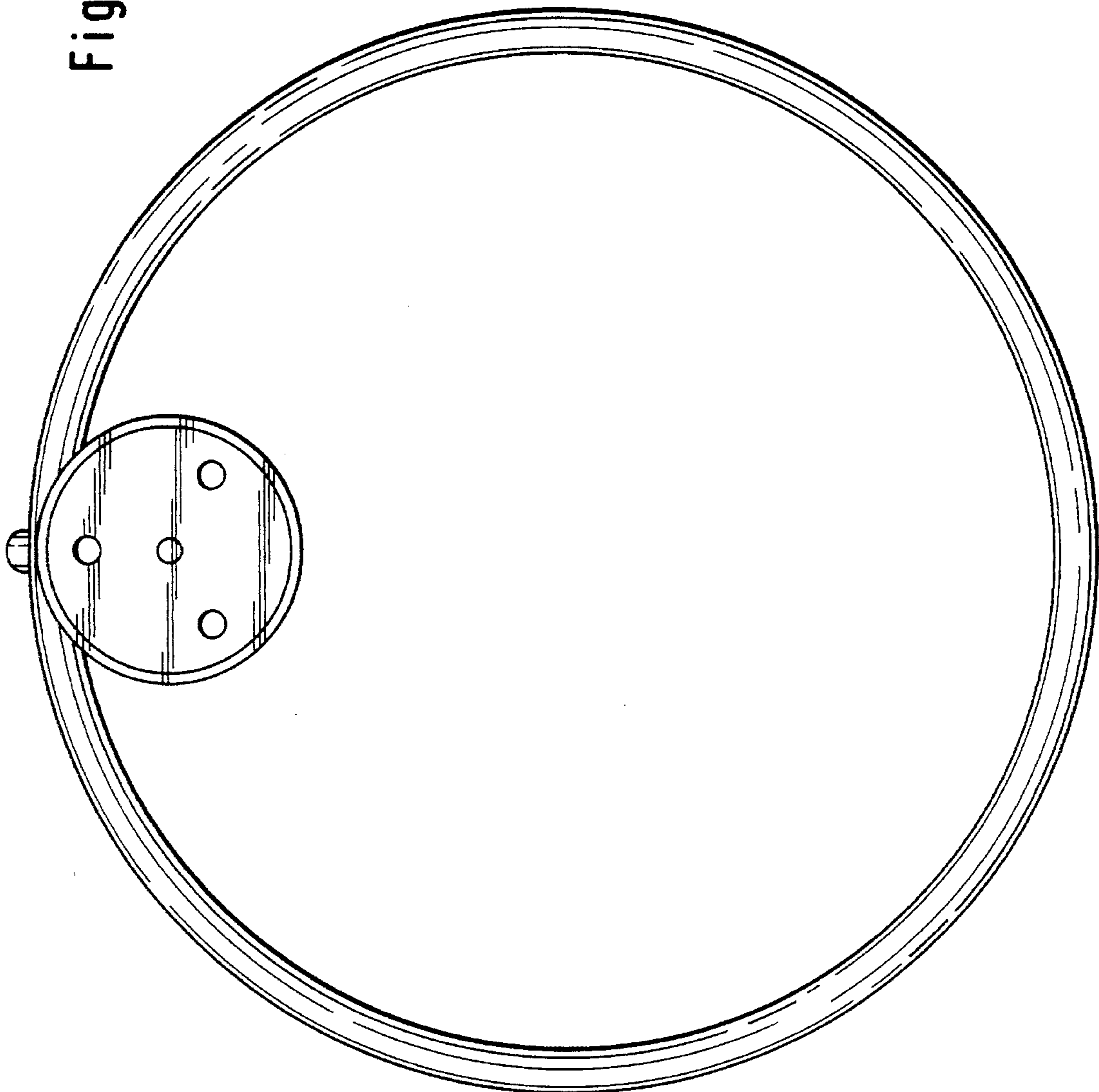


Fig. 6