



US00D363182S

**United States Patent** [19]  
**Mills**

[11] **Patent Number: Des. 363,182**  
[45] **Date of Patent: \*\*Oct. 17, 1995**

[54] **TUB WITH SOAP DISH**

Ltd.

[75] **Inventor: Charles Mills, Mundelein, Ill.**

[57] **CLAIM**

[73] **Assignee: Medline Industries, Inc., Mundelein, Ill.**

The ornamental design for a soap dish, as shown and described.

[\*\*] **Term: 14 Years**

**DESCRIPTION**

[21] **Appl. No.: 10,781**

[22] **Filed: Jul. 19, 1993**

[52] **U.S. Cl. .... D6/536**

[58] **Field of Search ..... D6/536-540; 206/77.1**

FIG. 1 is a top, rear perspective view of a soap dish showing my new design, the broken-line disclosure of a tub being for illustrative purposes only and forming no part of the claimed design;

FIG. 2 is an enlarged top plan view thereof;

FIG. 3 is an enlarged bottom plan view thereof;

FIG. 4 is an enlarged front elevational view thereof;

FIG. 5 is an enlarged rear elevational view thereof;

FIG. 6 is an enlarged left side elevational view thereof; and,

FIG. 7 is an enlarged right side elevational view thereof.

[56] **References Cited**

**U.S. PATENT DOCUMENTS**

- D. 277,146 1/1985 Boroch ..... D6/540
- D. 291,638 9/1987 Chap ..... D6/540
- D. 329,560 9/1992 Levien ..... D6/536 X

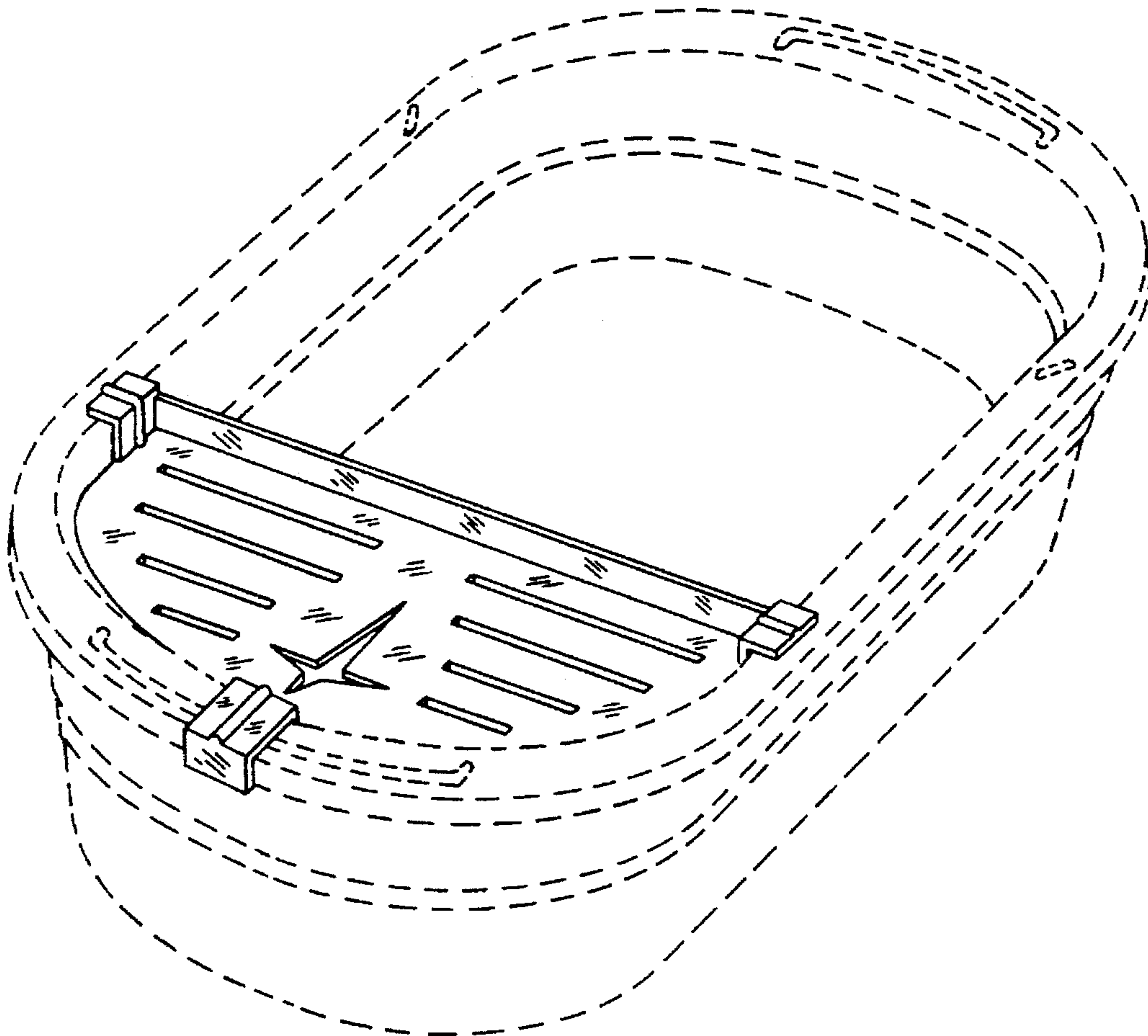
**OTHER PUBLICATIONS**

Housewares Review (Jul. 1961) p. 155, "Bathtub Caddy".

*Primary Examiner*—Brian N. Vinson

*Attorney, Agent, or Firm*—Laff, Whitesel, Conte & Saret,

**1 Claim, 2 Drawing Sheets**



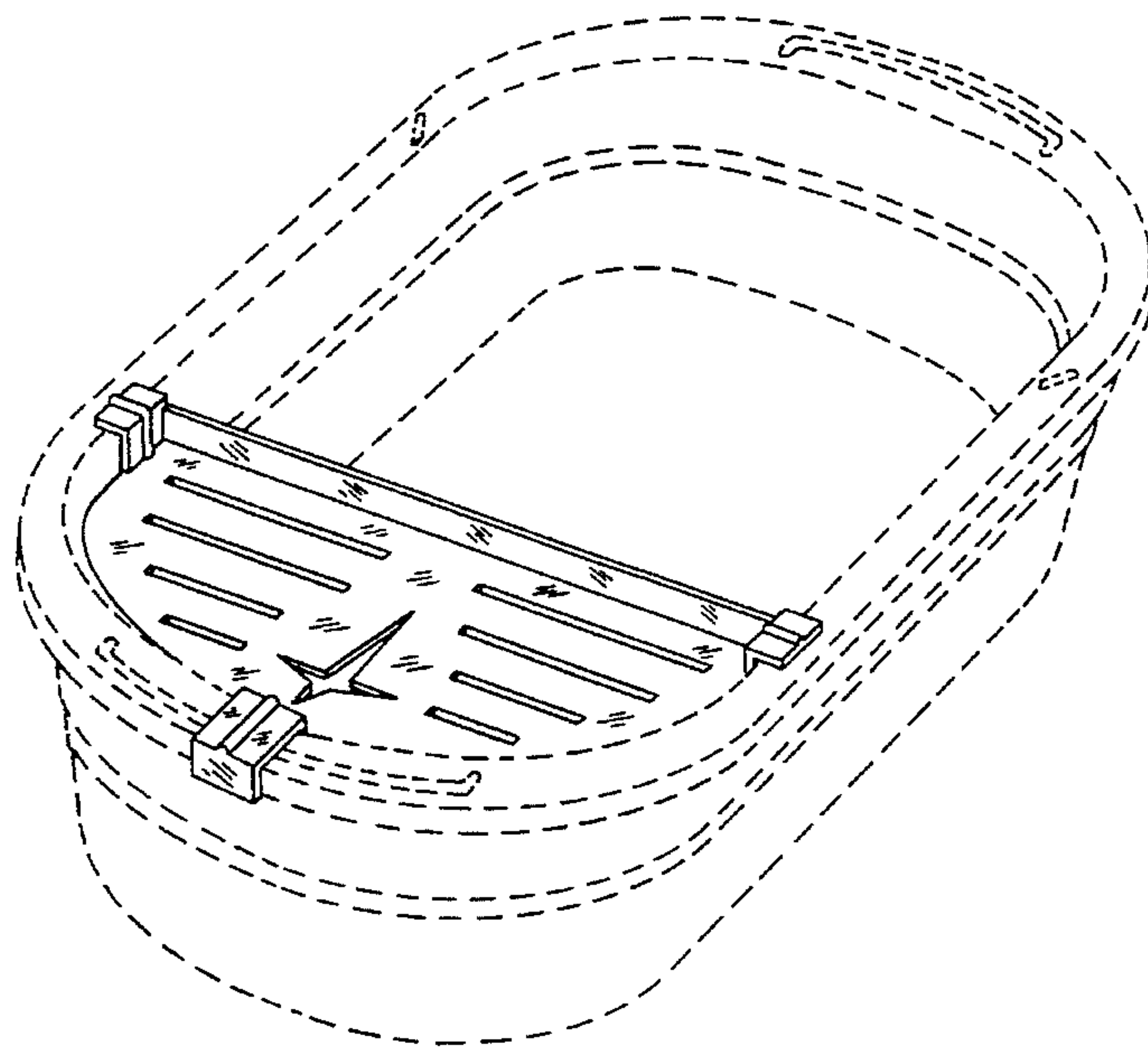


FIG. 1

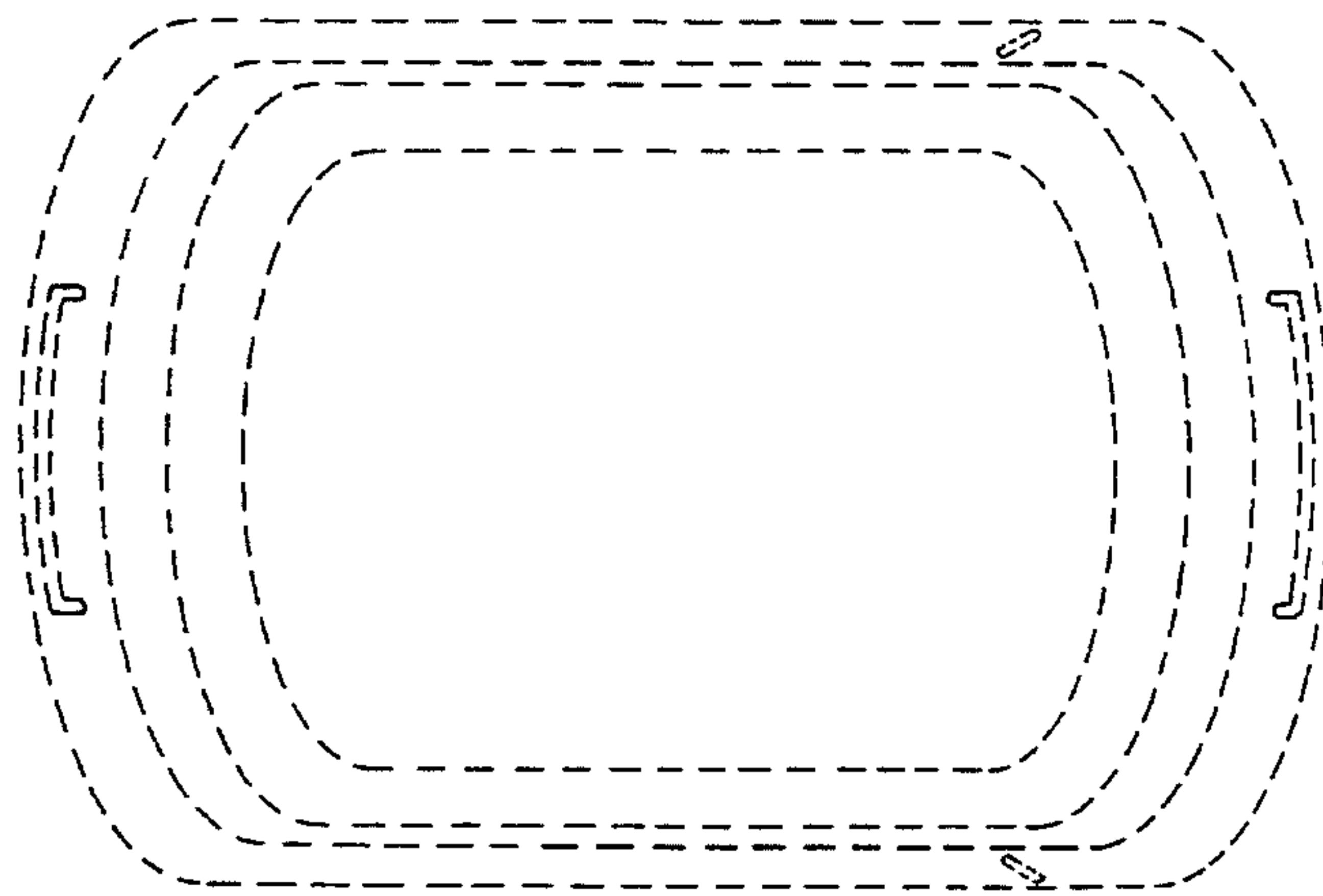


FIG. 2

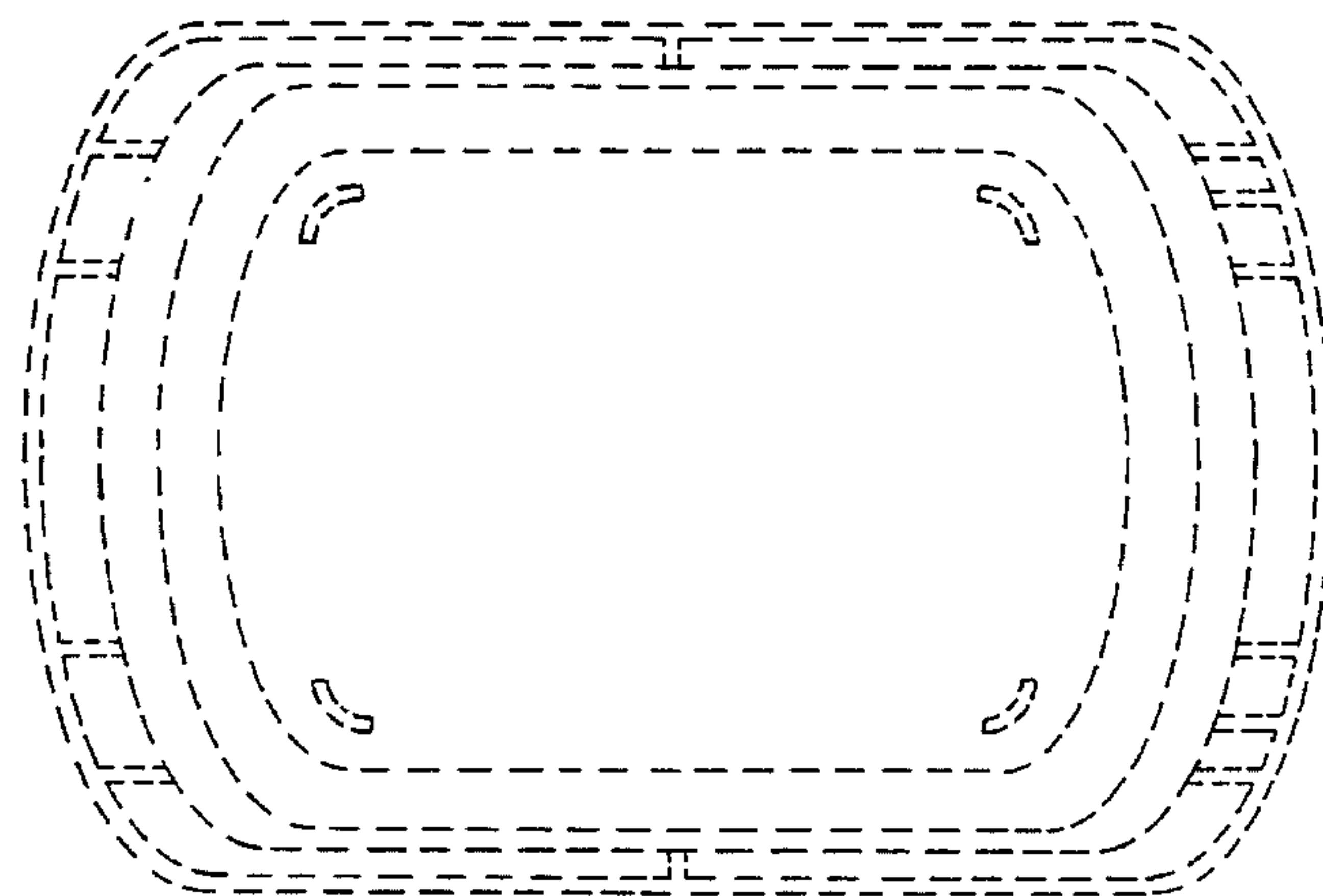


FIG. 3

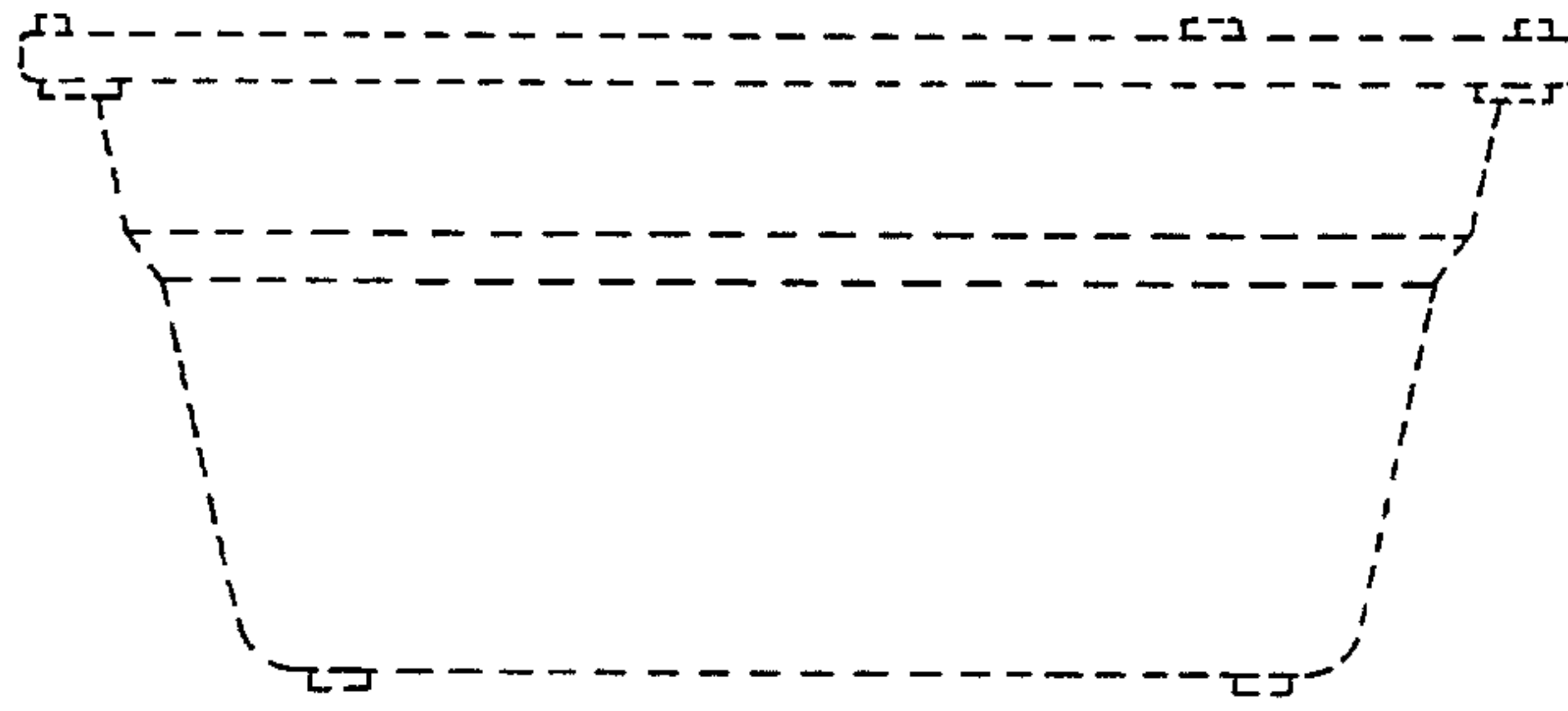


FIG. 4

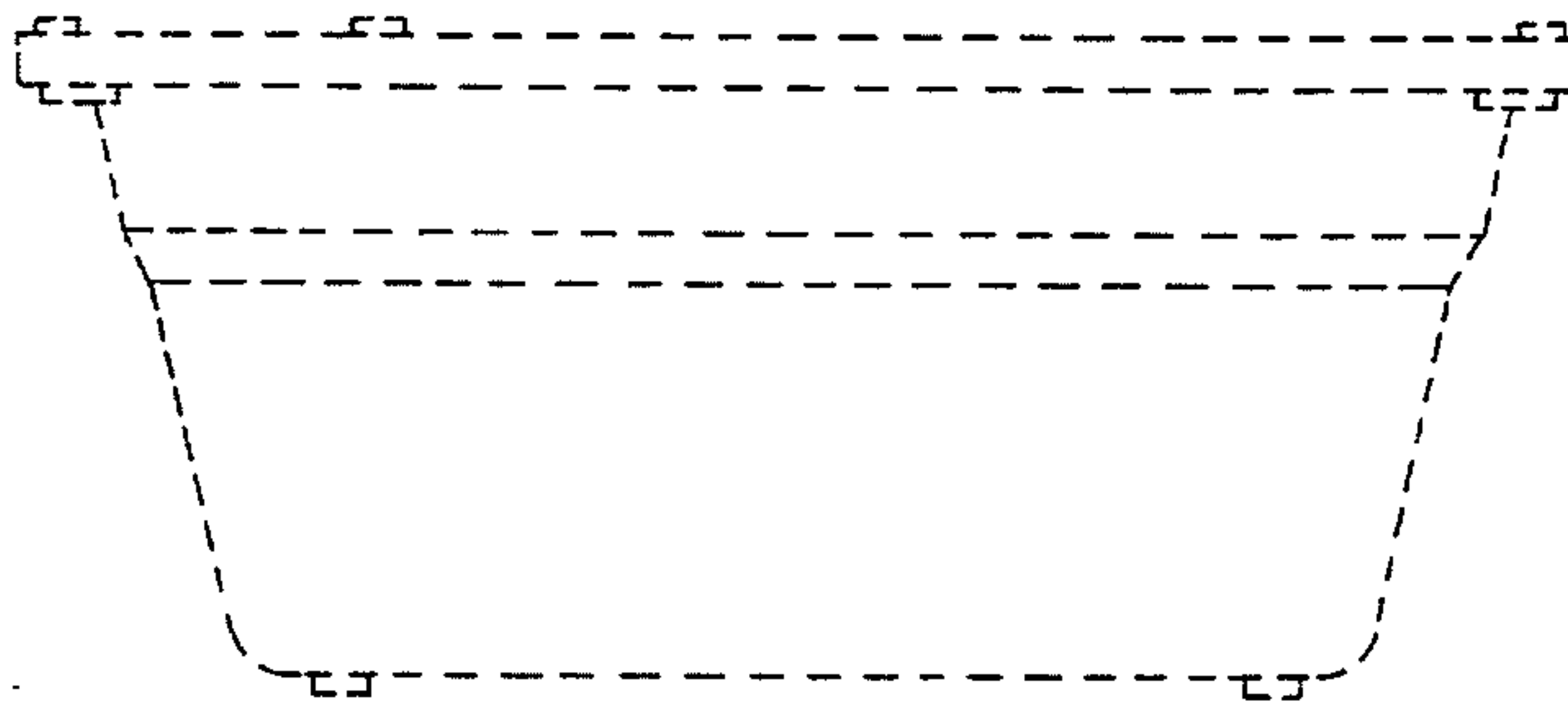


FIG. 5

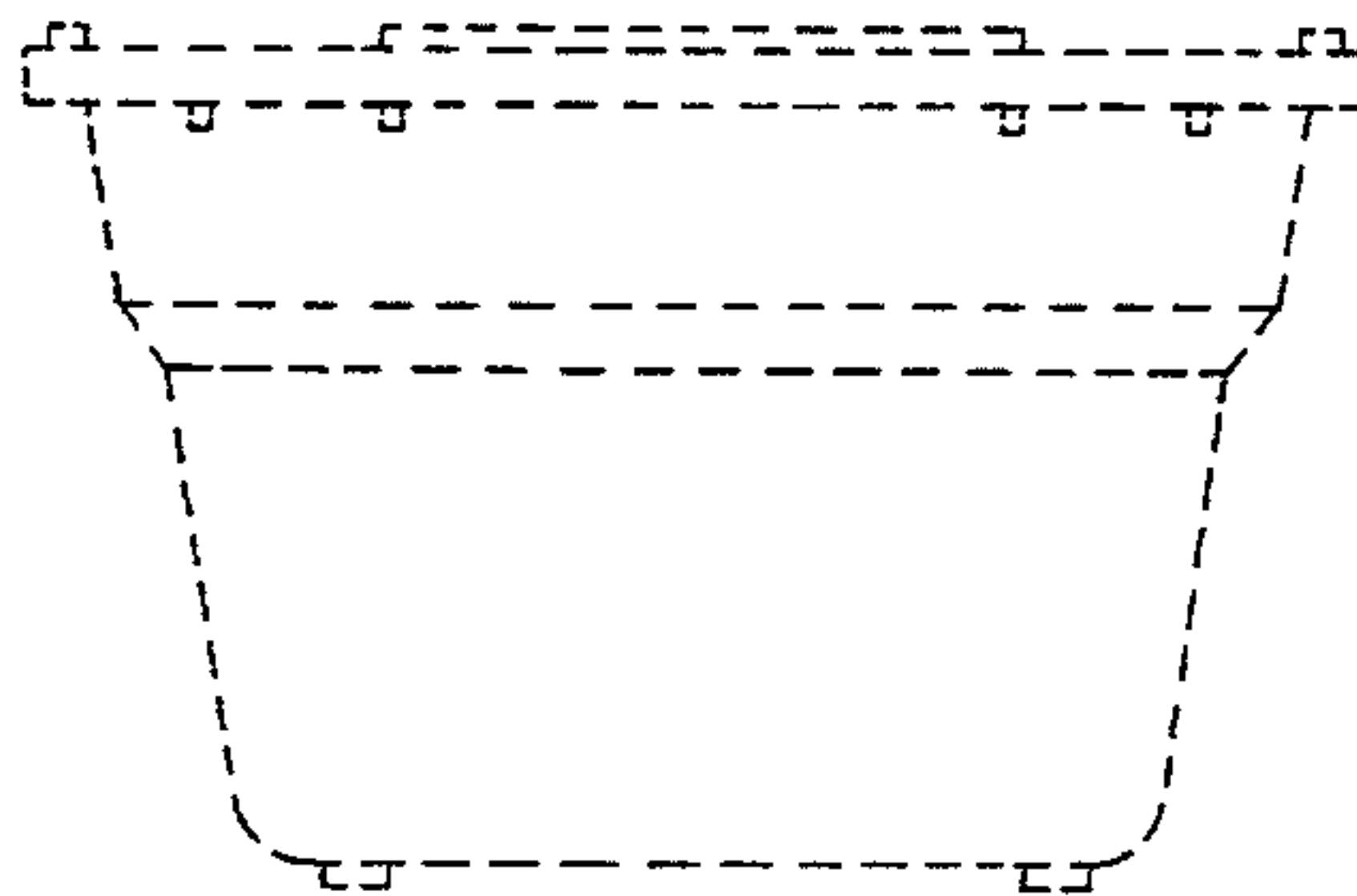


FIG. 6

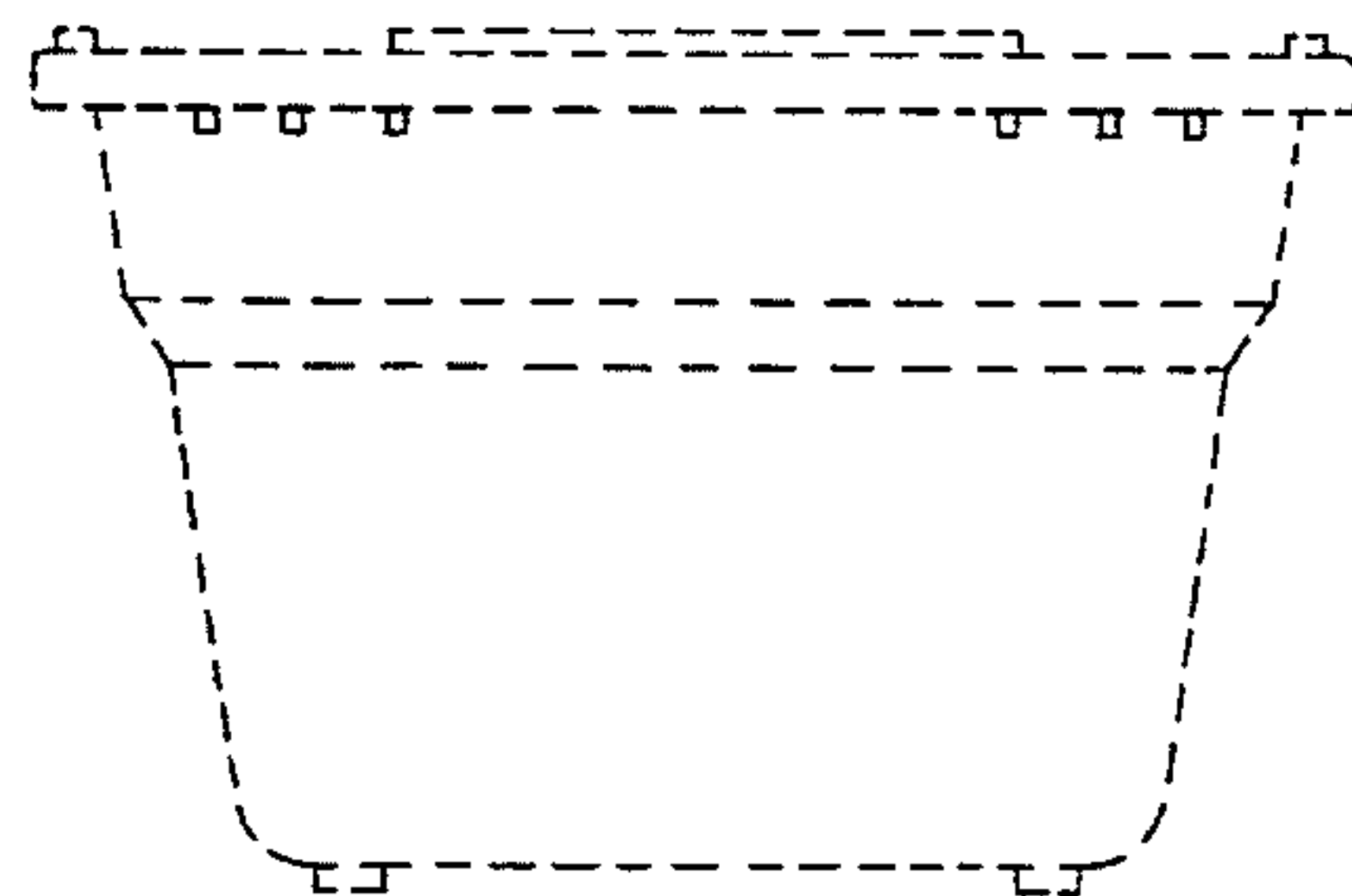


FIG. 7