



US00D363176S

United States Patent [19]

Berry, Jr. et al.

[11] Patent Number: Des. 363,176

[45] Date of Patent: **Oct. 17, 1995

[54] DISPLAY COFFEE TABLE

[75] Inventors: **Richard D. Berry, Jr.; David A. Clark**, both of Hickory, N.C.

[73] Assignee: **Ethan Allen Inc.**, Danbury, Conn.

[**] Term: **14 Years**

[21] Appl. No.: **32,404**

[22] Filed: **Dec. 19, 1994**

[52] U.S. Cl. **D6/436**

[58] Field of Search D6/432-448, 480, D6/484, 396, 397; 312/204, 114

[56] References Cited

U.S. PATENT DOCUMENTS

D. 120,370	5/1940	Bach	D6/436
D. 178,055	6/1956	Herrmann	D6/436
D. 182,832	5/1958	Lubberts et al.	D6/436
D. 187,232	2/1960	Taboret	D6/436
D. 244,112	4/1977	Friedman	D6/436

D. 259,316	5/1981	Offredi	D6/436
D. 314,211	1/1991	Bankier	D6/445 X

OTHER PUBLICATIONS

"Declaration" by Drexel; item #881-340 corner table.

Primary Examiner—Carmen H. Vales-Lado

Attorney, Agent, or Firm—Schweitzer Cornman & Gross

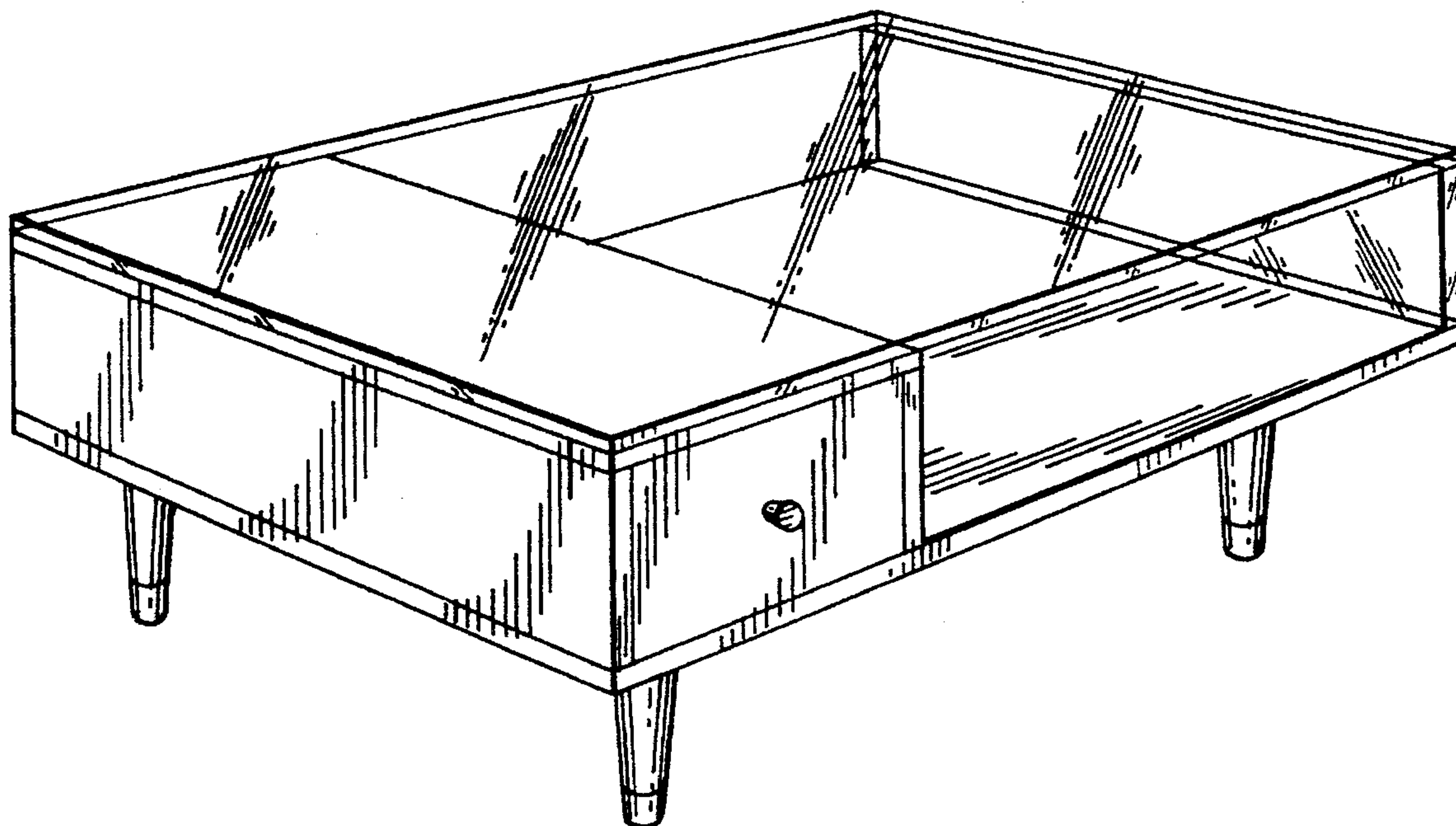
[57] CLAIM

The ornamental design for a display coffee table, as shown and described.

DESCRIPTION

FIG. 1 is a top, front and left side perspective view of a display coffee table;
FIG. 2 is a top plan view thereof;
FIG. 3 is a right side view thereof;
FIG. 4 is a left side view thereof;
FIG. 5 is a rear view thereof; and,
FIG. 6 is a bottom plan view thereof.

1 Claim, 2 Drawing Sheets



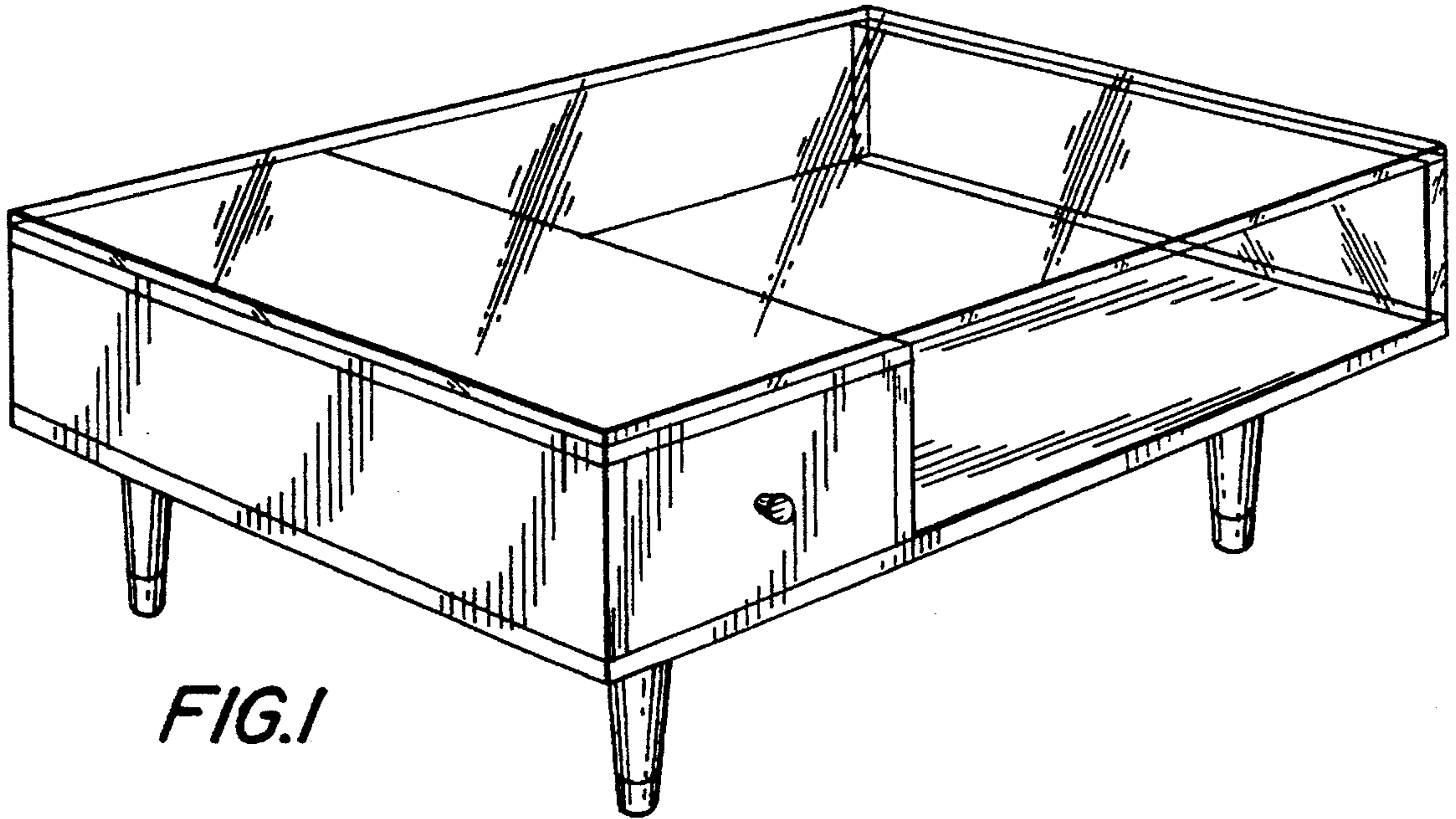


FIG. 1

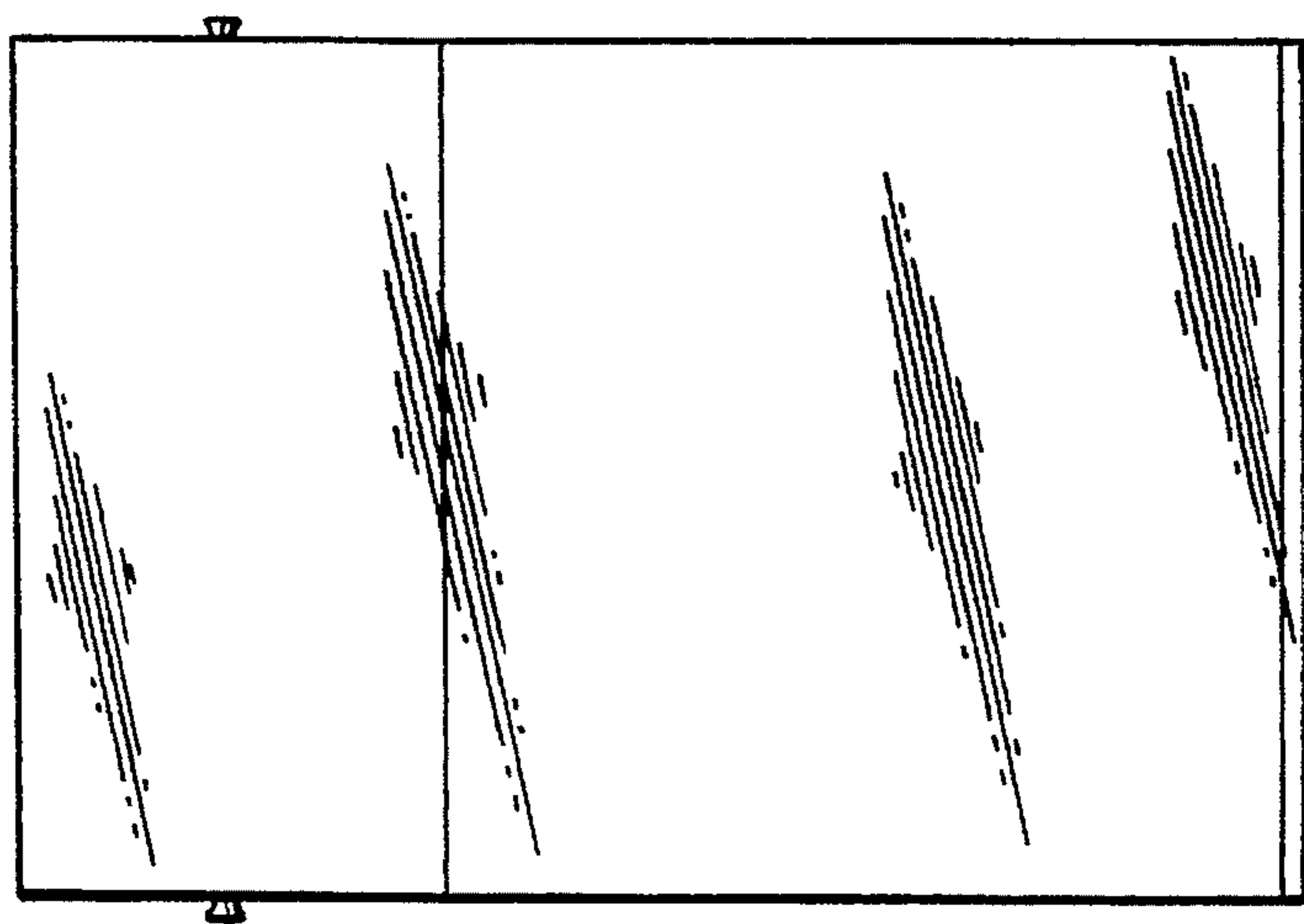


FIG. 2

