



US00D363174S

# United States Patent [19]

[11] Patent Number: **Des. 363,174**

Fletcher, Sr.

[45] Date of Patent: **\*\*Oct. 17, 1995**

[54] **STORING AND DISPENSING APPARATUS**

4,474,297 10/1984 Zucker ..... 312/45 X  
4,911,309 3/1990 Stefan .  
5,314,078 5/1994 Morikiyo et al. .... 211/59.2

[76] Inventor: **Richard M. Fletcher, Sr.**, 135 Swanson Rd., Paducah, Ky. 42001

**FOREIGN PATENT DOCUMENTS**

[\*\*] Term: **14 Years**

580559 8/1959 Canada .  
1456468 10/1966 France .  
2036706 7/1980 United Kingdom .  
2036707 7/1980 United Kingdom .

[21] Appl. No.: **30,637**

[22] Filed: **Nov. 4, 1994**

[52] U.S. Cl. .... **D6/408; D6/473; D6/515**

*Primary Examiner*—Jeffrey Asch  
*Attorney, Agent, or Firm*—Richard C. Litman

[58] Field of Search ..... D6/408, 473, 449, D6/463, 515–518; 211/59.2, 13, 59.3, 74, 71; 312/42, 45, 49, 72

[57] **CLAIM**

The ornamental design for a storing and dispensing apparatus, as shown and described.

[56] **References Cited**

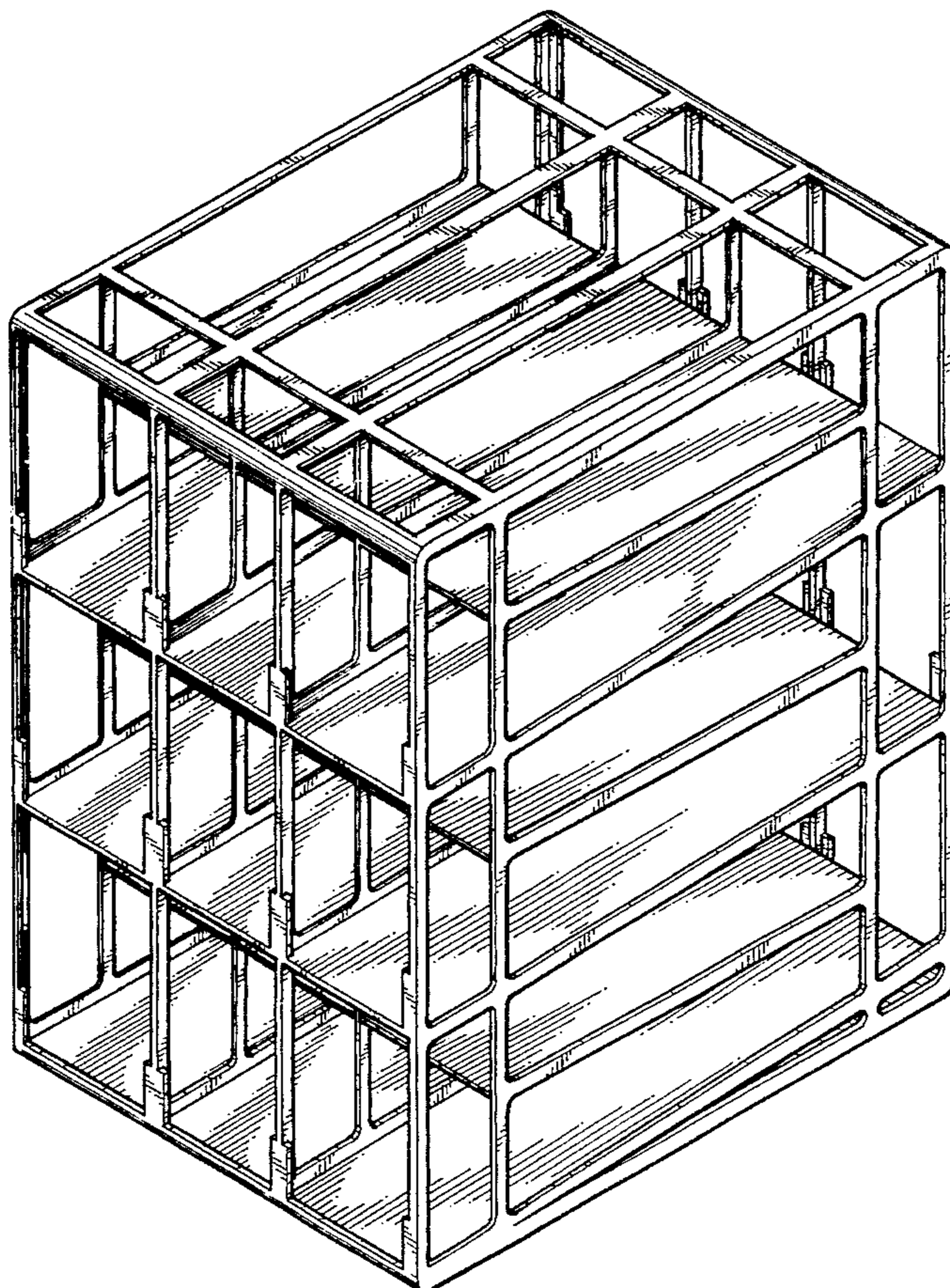
**DESCRIPTION**

**U.S. PATENT DOCUMENTS**

D. 268,068	3/1983	Ellenson et al. ....	D6/515
2,408,380	10/1946	Dennis .....	312/42
2,888,145	5/1959	Knott et al. ....	211/59.2
2,915,162	12/1959	Umstead .	
3,055,293	9/1962	Lariccia .....	312/45 X
3,152,967	10/1964	Berman et al. .	
3,318,455	5/1967	Takahashi .....	211/59.2
3,499,539	3/1970	Fisher .....	211/59.2
3,606,022	9/1971	Beesley, Jr. .	
3,784,022	1/1974	Beesley, Jr. .	
3,805,964	4/1974	Titus, Jr. .	
3,900,112	8/1975	Azzi et al. ....	211/59.2
4,356,923	11/1982	Young et al. .	
4,435,026	3/1984	Johnson .	

FIG. 1 is a perspective view of a storing and dispensing apparatus showing my new design; FIG. 2 is a top plan view thereof; FIG. 3 is a front elevational view thereof; FIG. 4 is a left side elevational view thereof, the right side being a mirror image; and, FIG. 5 is a rear elevational view thereof. The broken line showing of cans in FIGS. 3 and 4 is for illustrative purposes only and forms no part of the claimed design. The bottom is plain and unornamented.

**1 Claim, 5 Drawing Sheets**





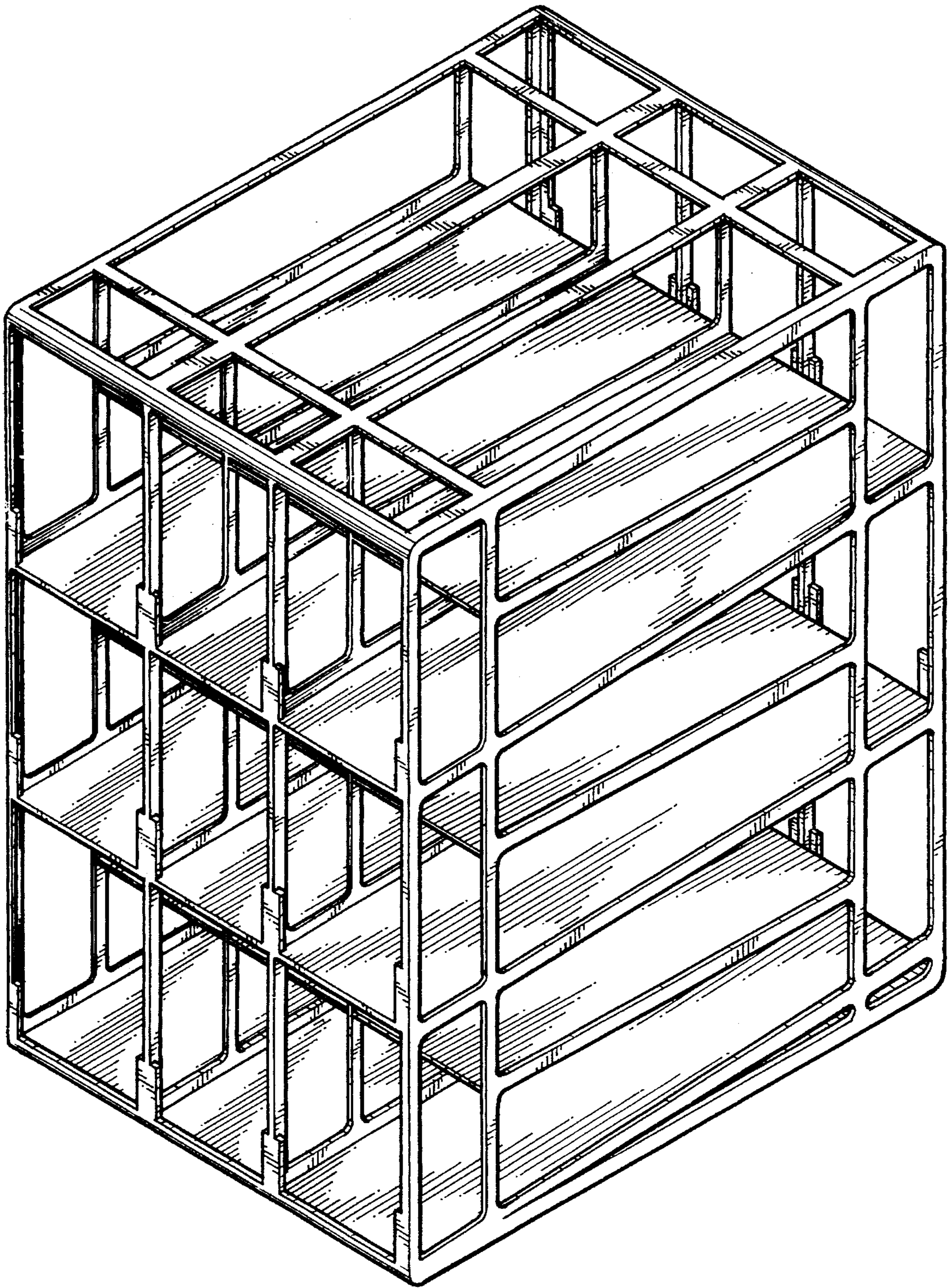
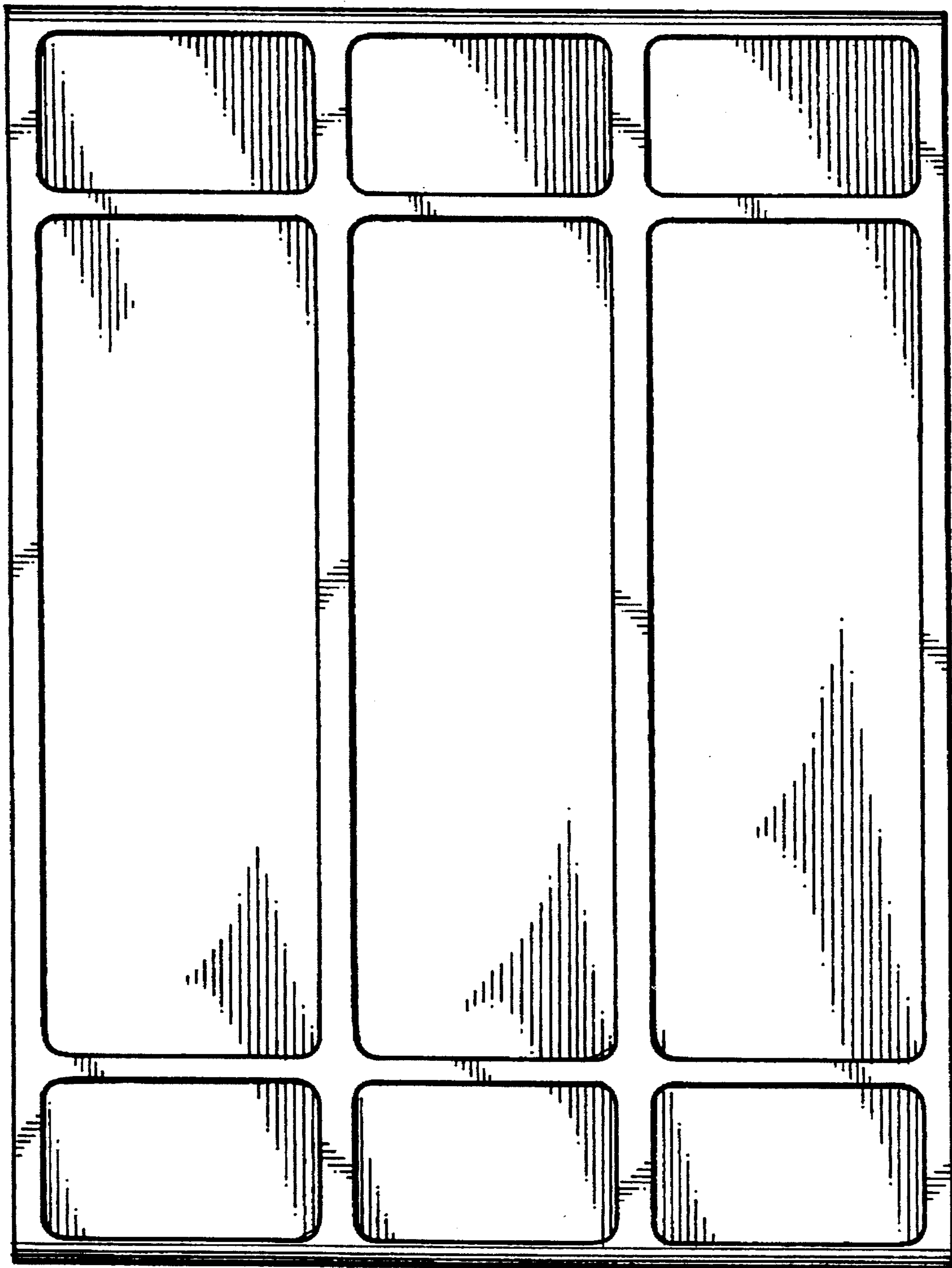


FIG. 1



*FIG. 2*





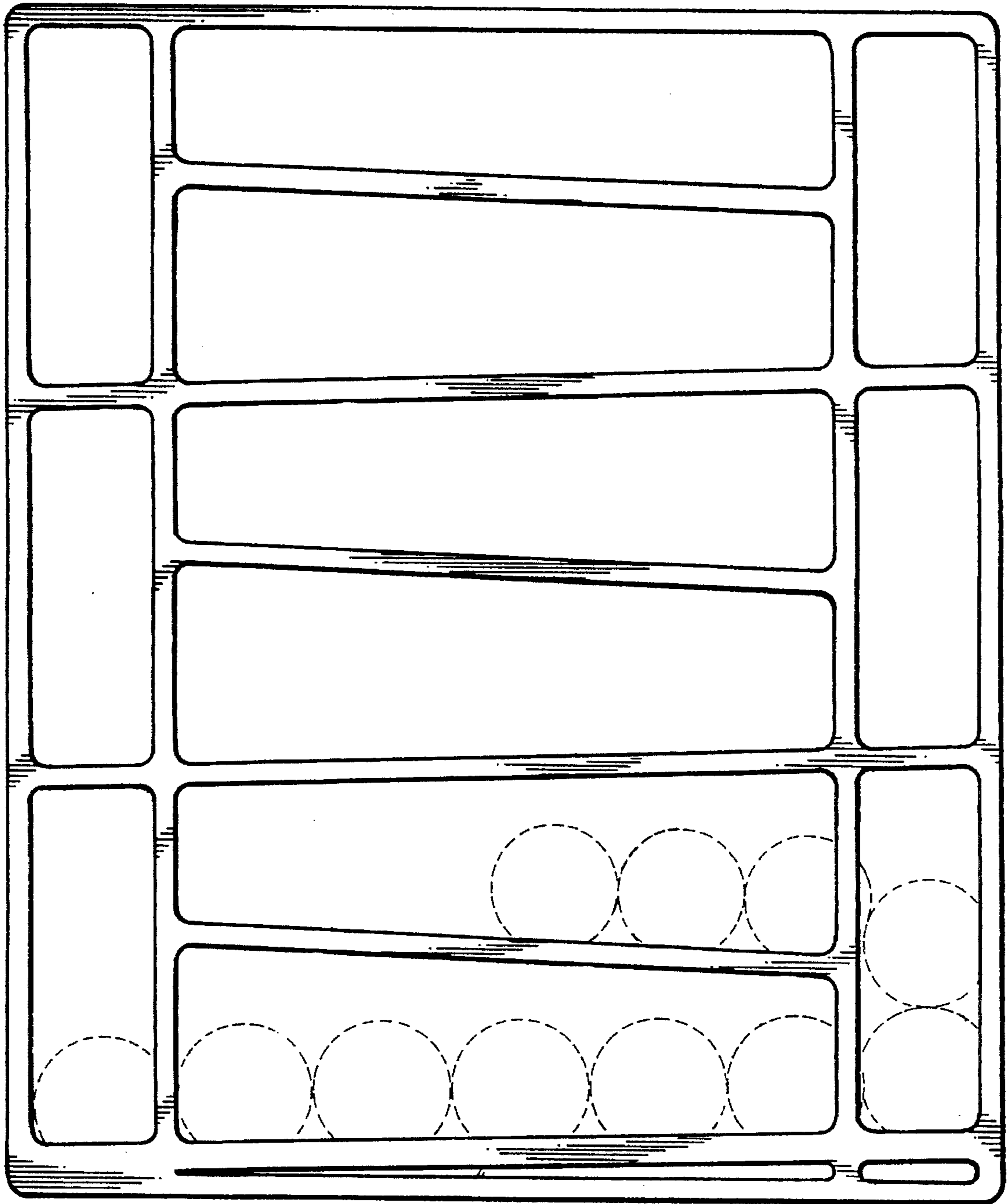


FIG. 4

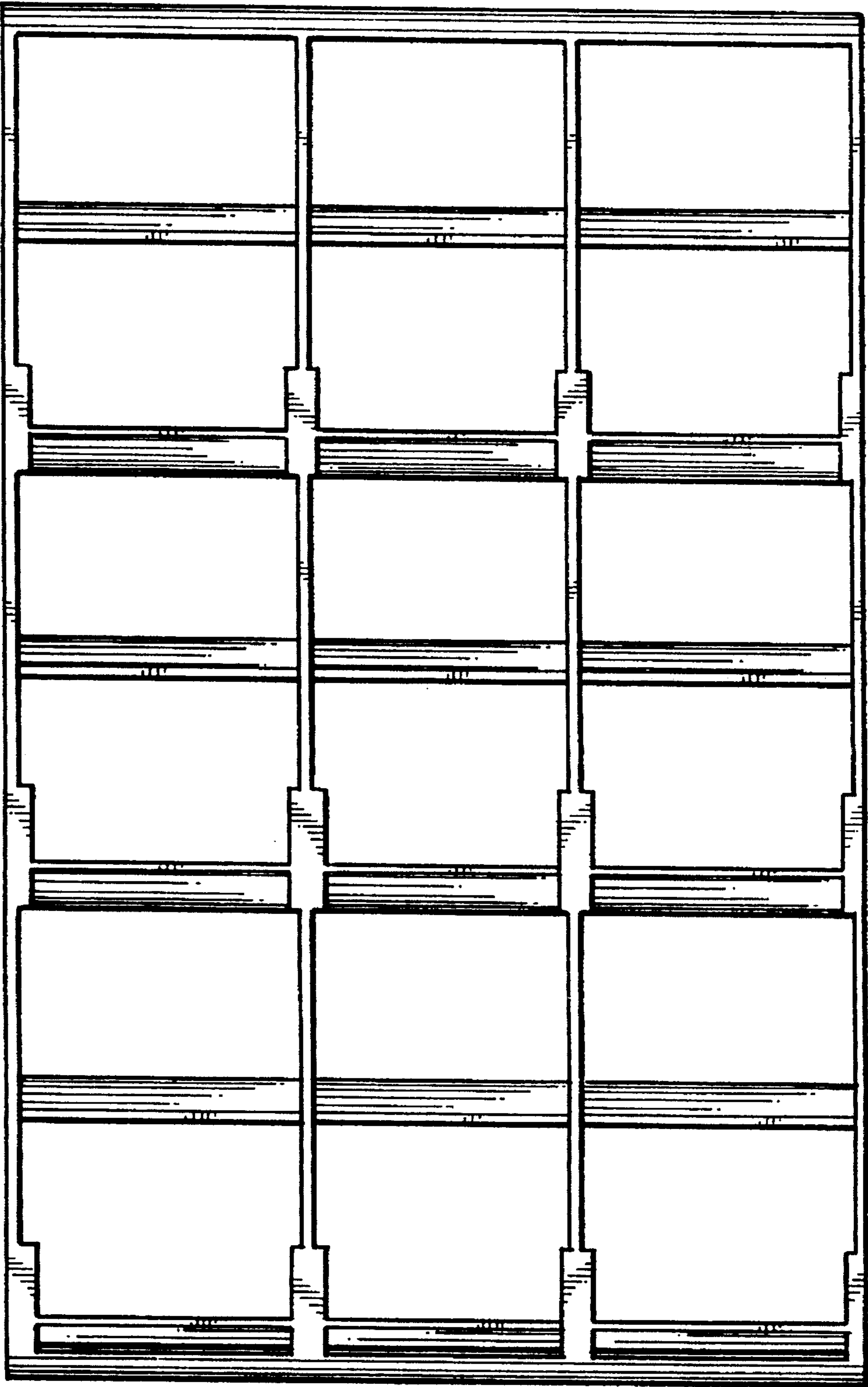


FIG. 5