



US00D363169S

United States Patent [19]
Burstein

[11] **Patent Number: Des. 363,169**
[45] **Date of Patent: **Oct. 17, 1995**

[54] **CHILD'S ROCKING CHAIR**

[76] Inventor: **Sharon A. Burstein**, 4 Birch Hill Rd., Loudonville, N.Y. 12211

[**] Term: **14 Years**

[21] Appl. No.: **24,585**

[22] Filed: **Jul. 16, 1994**

Related U.S. Application Data

[62] Division of Ser. No. 4,990, Jan. 15, 1993, abandoned.

[52] U.S. Cl. **D6/339; D6/348**

[58] **Field of Search** D6/333, 334, 335, D6/338, 339, 344, 348, 385; D12/129; 297/135, 148-150, 173, 174

[56] **References Cited**

U.S. PATENT DOCUMENTS

D. 148,462 1/1948 Debo D6/339

D. 150,088	6/1948	Meyer et al.	D6/348 X
D. 197,714	3/1964	Rodd	D6/348
D. 237,023	10/1975	Rossi	D6/339 X
D. 248,516	7/1978	Johansson	D6/339 X
2,767,774	10/1956	Derby	297/149
3,649,074	3/1972	McDonald	D6/339 X
5,087,097	2/1992	Hehn	297/149 X

Primary Examiner—Janice E. Seeger
Attorney, Agent, or Firm—Morgan & Finnegan

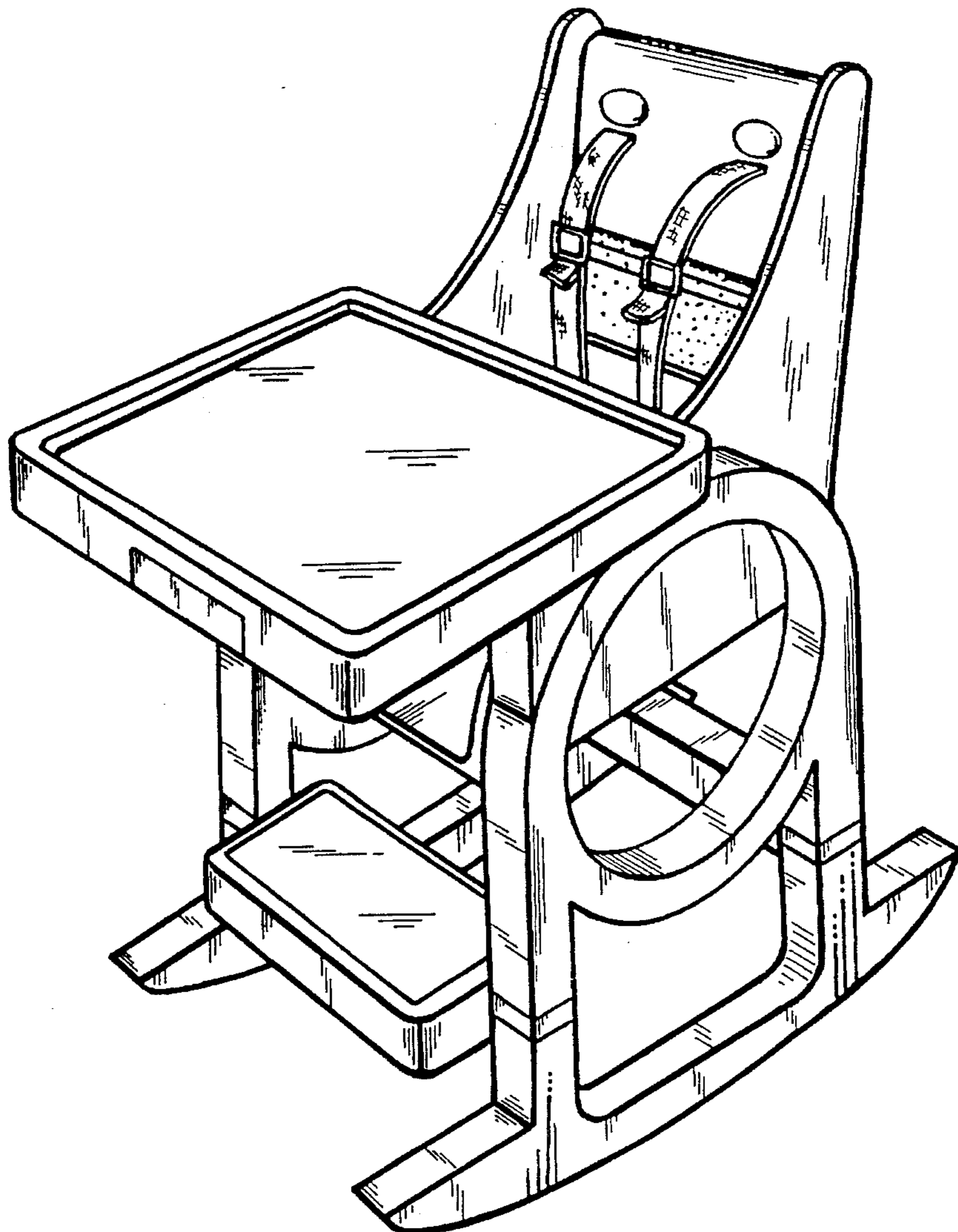
[57] **CLAIM**

The ornamental design for a child's rocking chair, as shown.

DESCRIPTION

FIG. 1 of the drawing is a perspective view of a child's rocking chair embodying the new design; FIG. 2 is a side-elevation of the embodiment of the invention shown in FIG. 1; and, FIG. 3 is a rear view of the embodiment of the invention shown in FIG. 1.

1 Claim, 3 Drawing Sheets



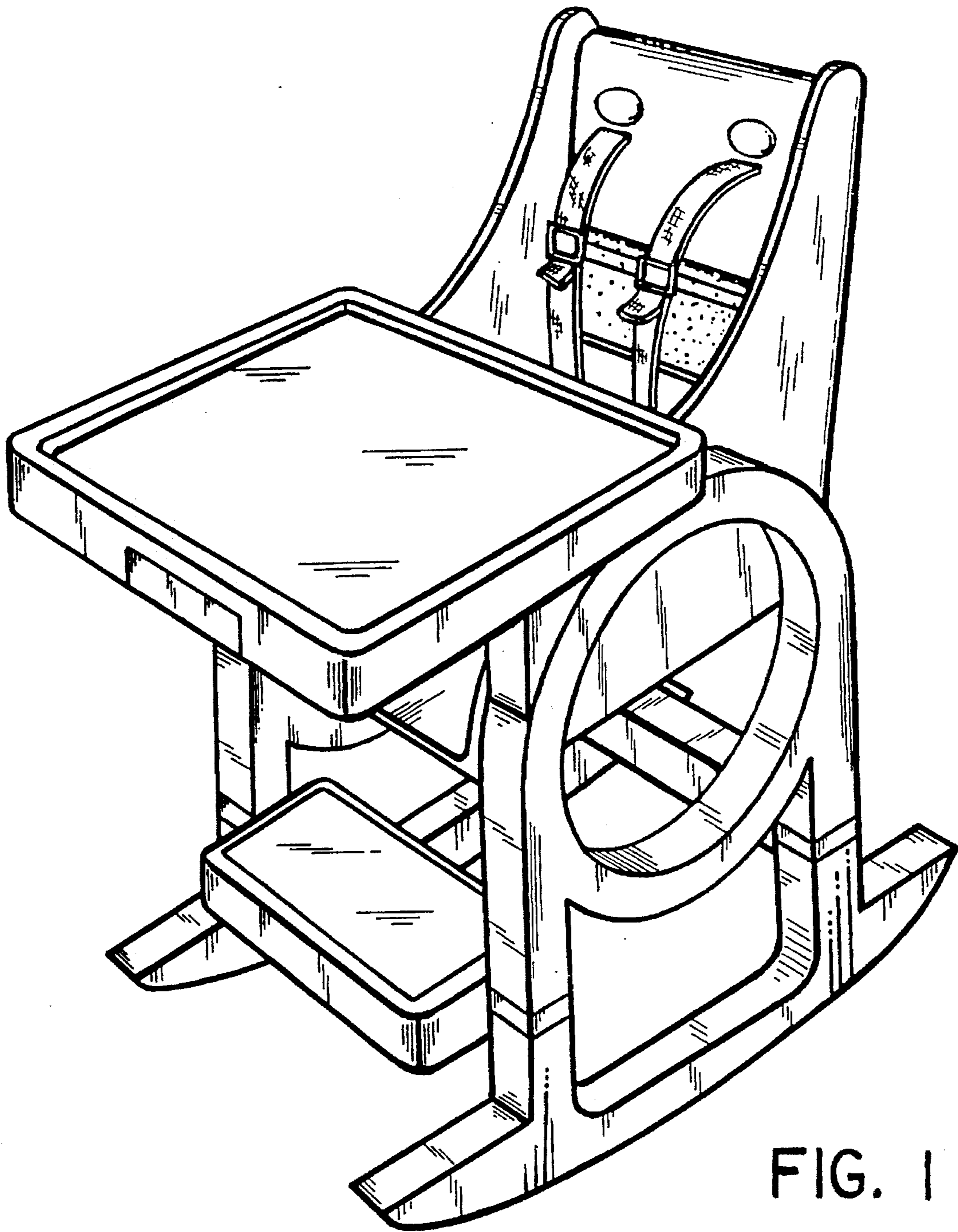
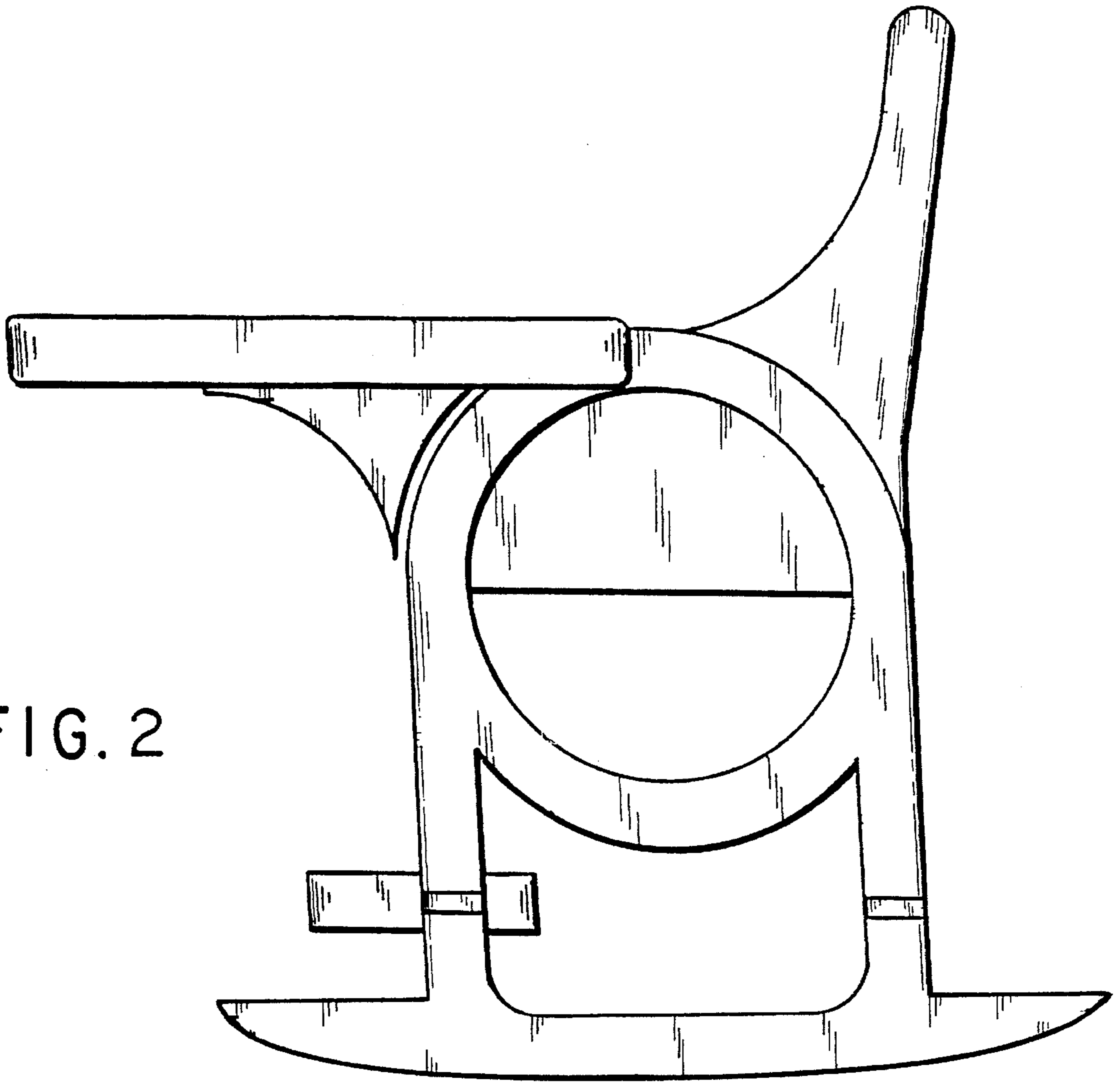


FIG. 1

FIG. 2



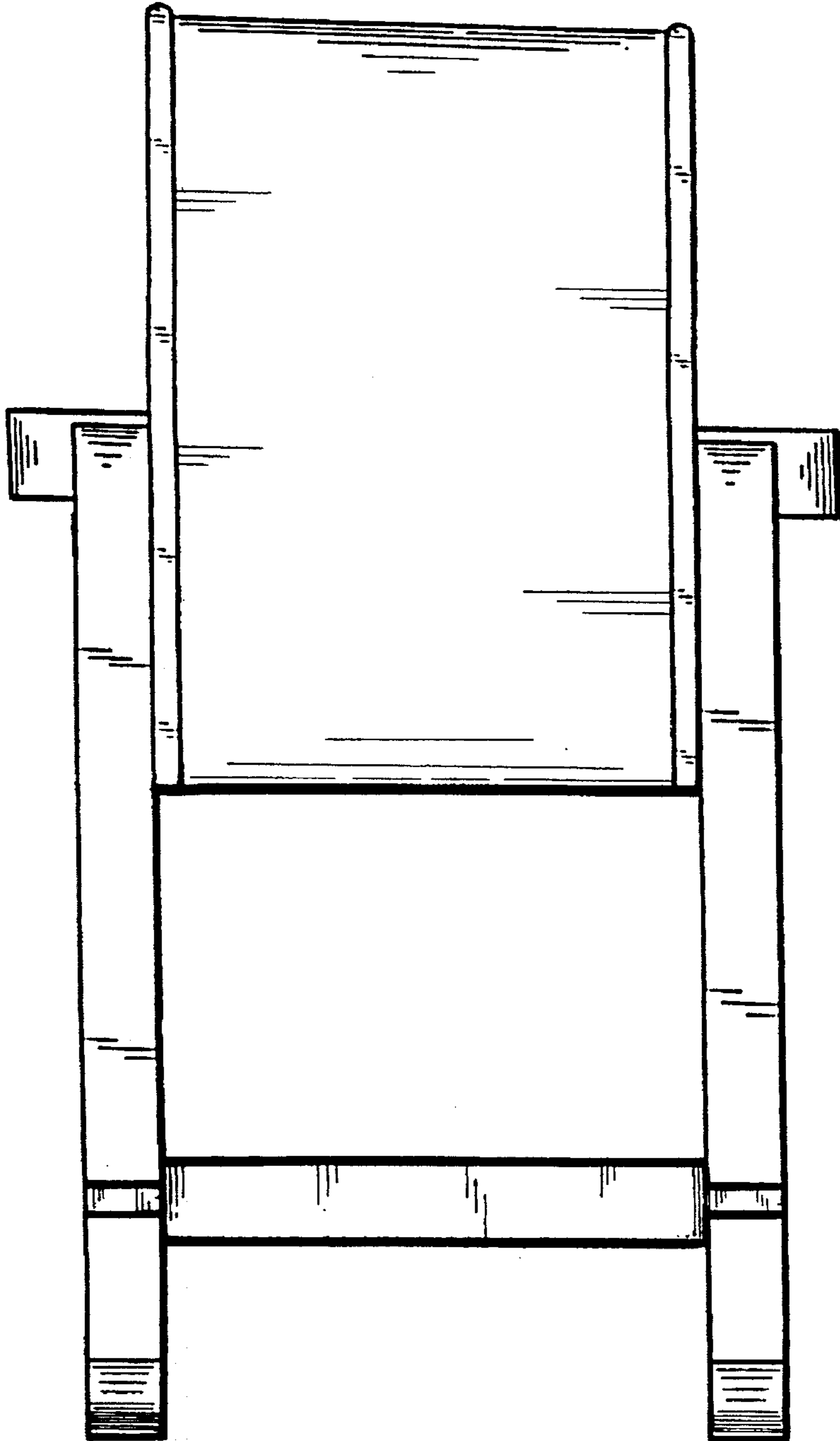


FIG. 3