



US00D363163S

United States Patent [19]

Funatsu et al.

[11] Patent Number: **Des. 363,163**

[45] Date of Patent: ****Oct. 17, 1995**

[54] **TOOL CADDY FOR A PORTABLE APPLIANCE**

[75] Inventors: **Kunio Funatsu**, Minoo, Japan; **Seizo Hayashi**, Lexington; **Thomas W. Granzow**, Danville, both of Ky.

[73] Assignee: **Matsushita Floor Care Company**, Danville, Ky.

[**] Term: **14 Years**

[21] Appl. No.: **16,039**

[22] Filed: **Dec. 6, 1993**

[52] U.S. Cl. **D3/315**; D32/31

[58] Field of Search D3/315, 228, 319, D3/905, 273; D32/25, 22, 32, 34

[56] **References Cited**

U.S. PATENT DOCUMENTS

D. 329,511	9/1992	McKnight	D32/31
2,522,498	9/1950	Beede	15/323 X
4,467,493	8/1984	Buchtel	15/323

4,541,142	9/1985	Pudwill	15/323
4,683,607	8/1987	Lackner et al.	15/323
4,761,850	8/1988	Romeo et al.	D32/31 X
5,303,447	4/1994	McKnight	15/323

Primary Examiner—Lou Zarfaz
Assistant Examiner—Catherine R. Oliver
Attorney, Agent, or Firm—Amster, Rothstein & Ebenstein

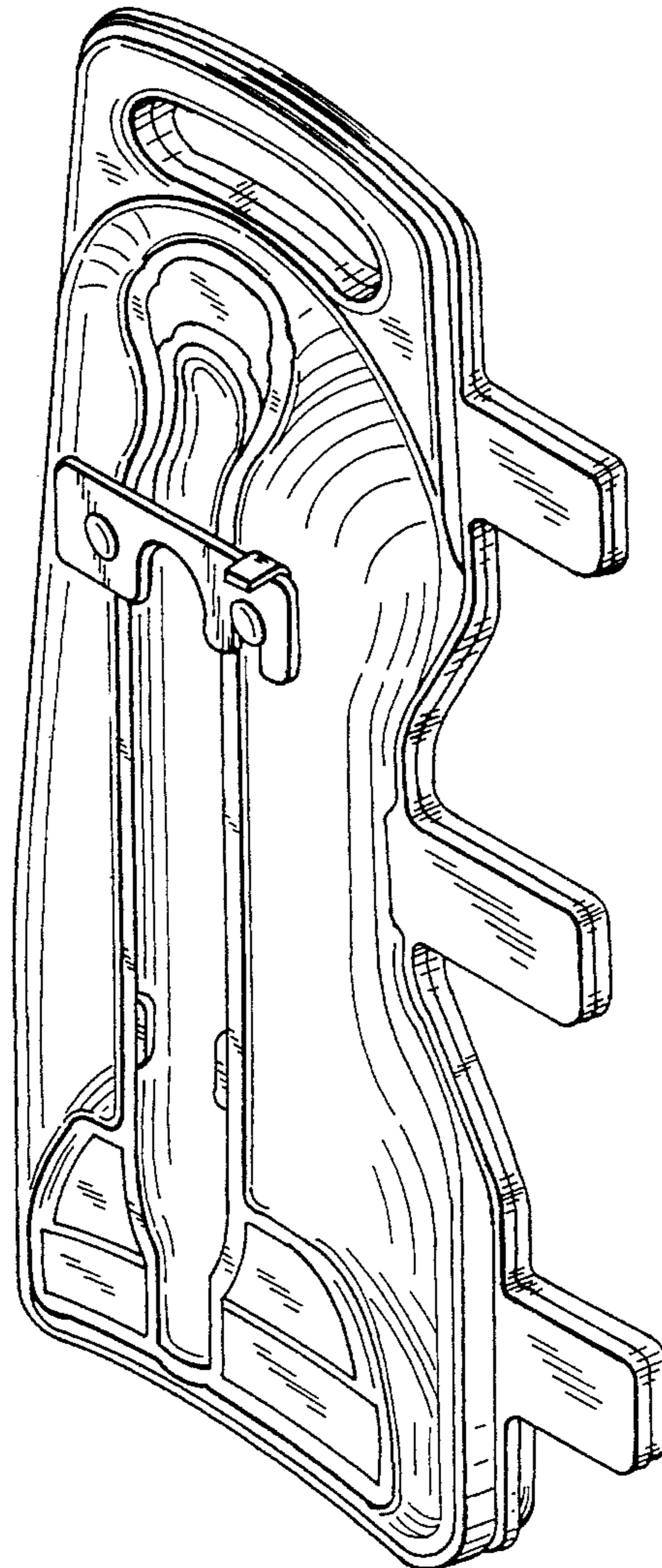
[57] **CLAIM**

The ornamental design for a tool caddy for a portable appliance, as shown.

DESCRIPTION

FIG. 1 is a front elevational view of a tool caddy for a portable appliance showing our new design; FIG. 2 is a rear elevational view thereof; FIG. 3 is a left side elevational view thereof; FIG. 4 is a right side elevational view thereof; FIG. 5 is a top plan view thereof; FIG. 6 is a bottom plan view thereof; and, FIG. 7 is an isometric view from the top, rear and left thereof.

1 Claim, 6 Drawing Sheets



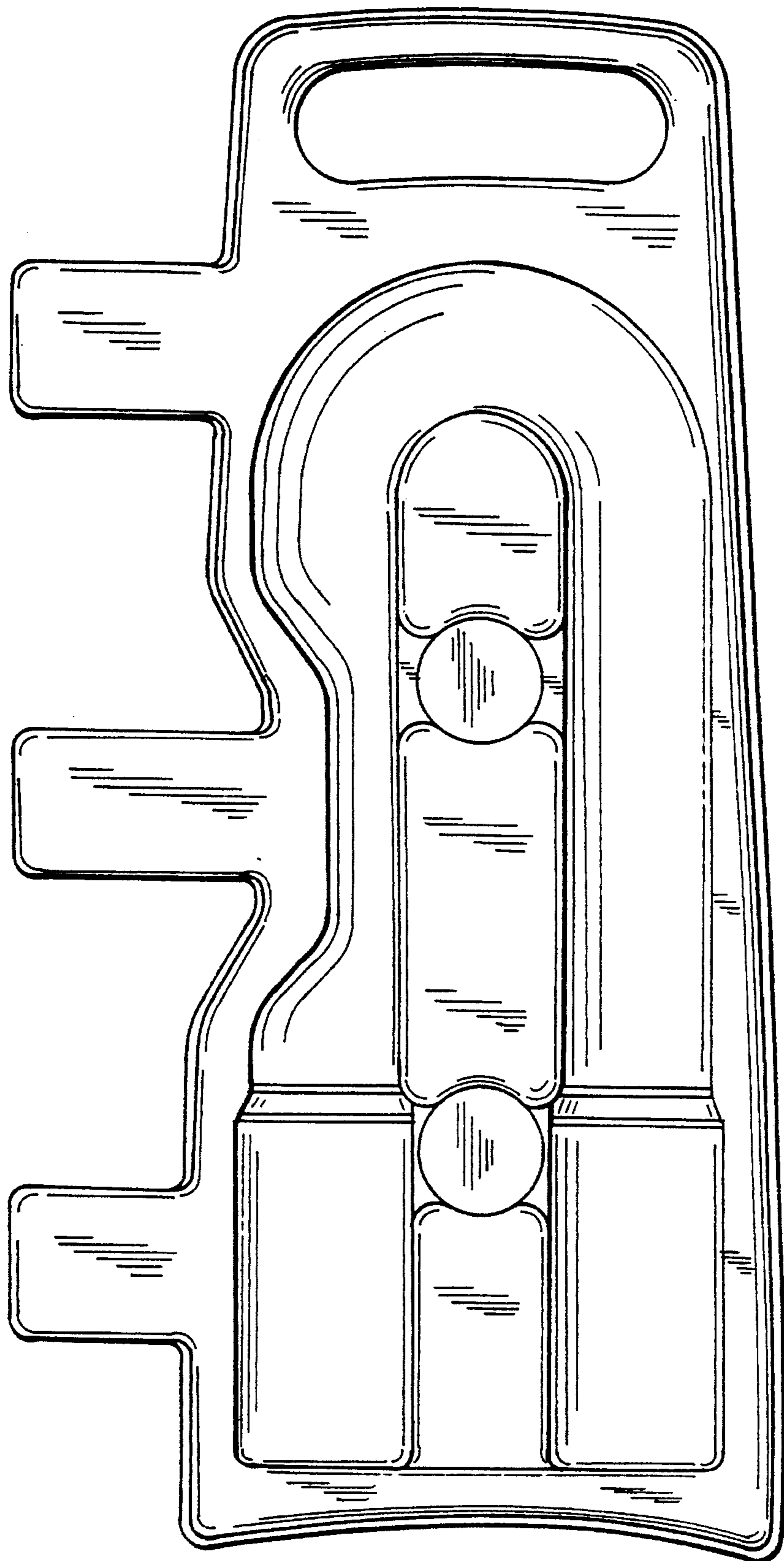


FIG. 1

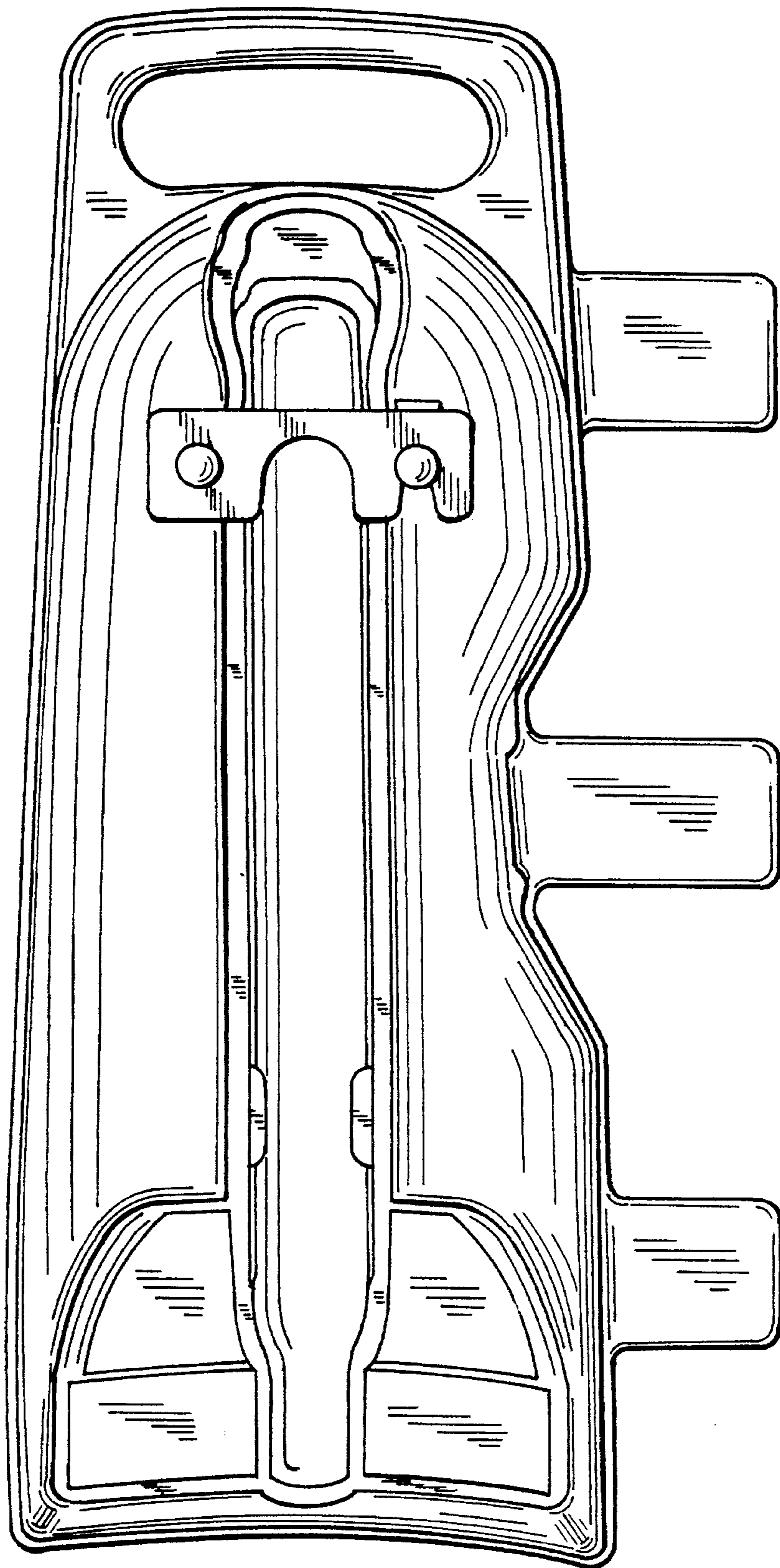


FIG. 2

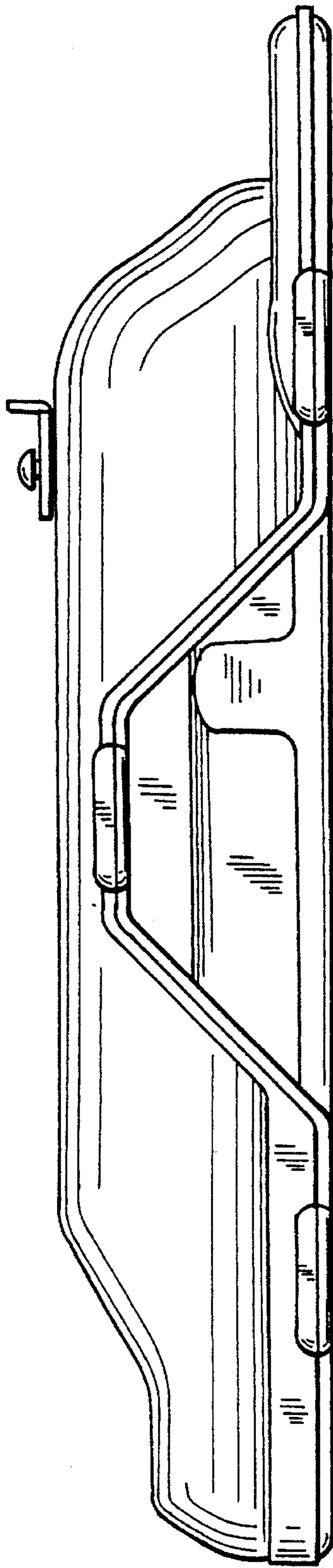


FIG. 3

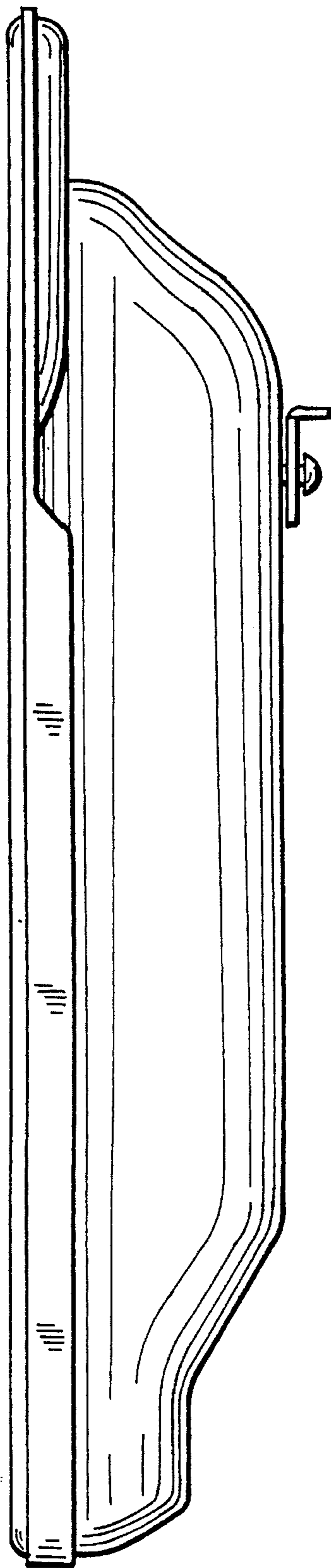


FIG. 4

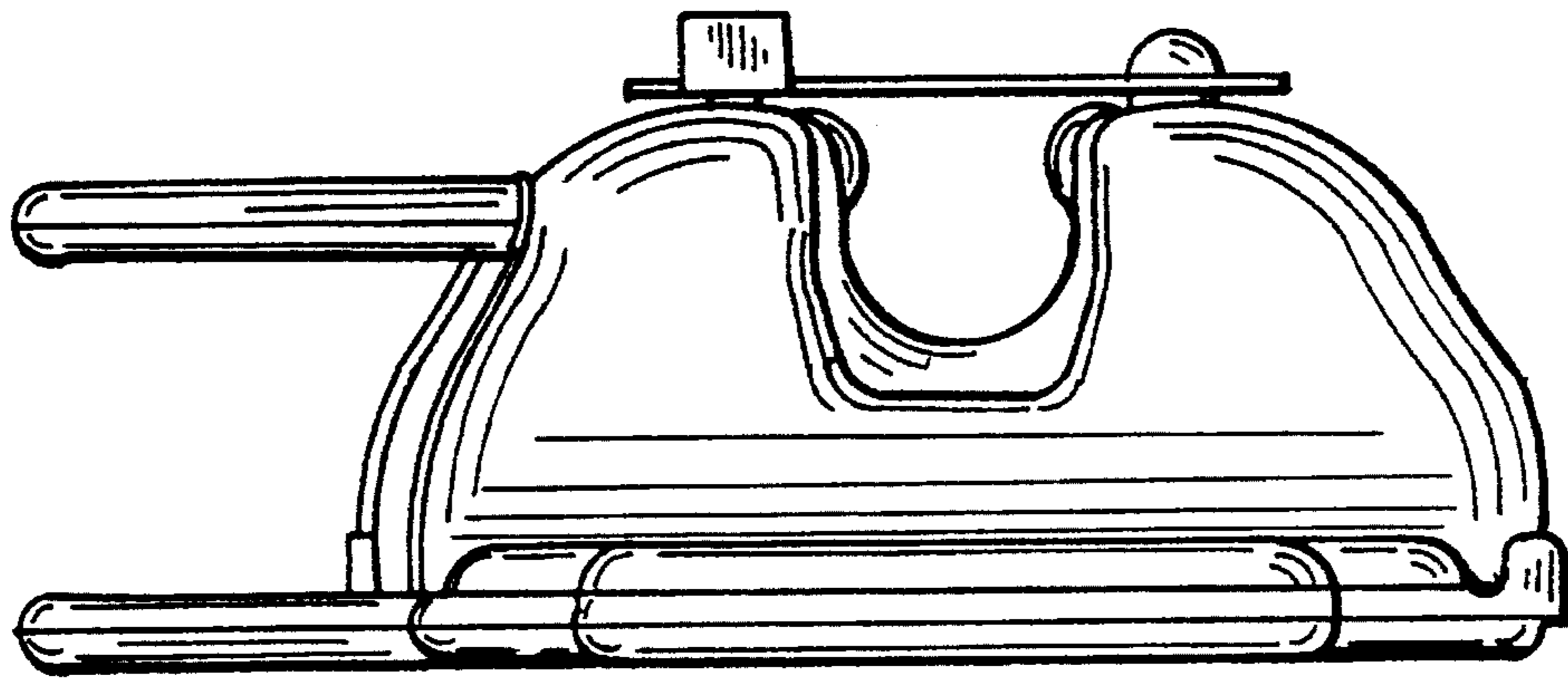


FIG. 5

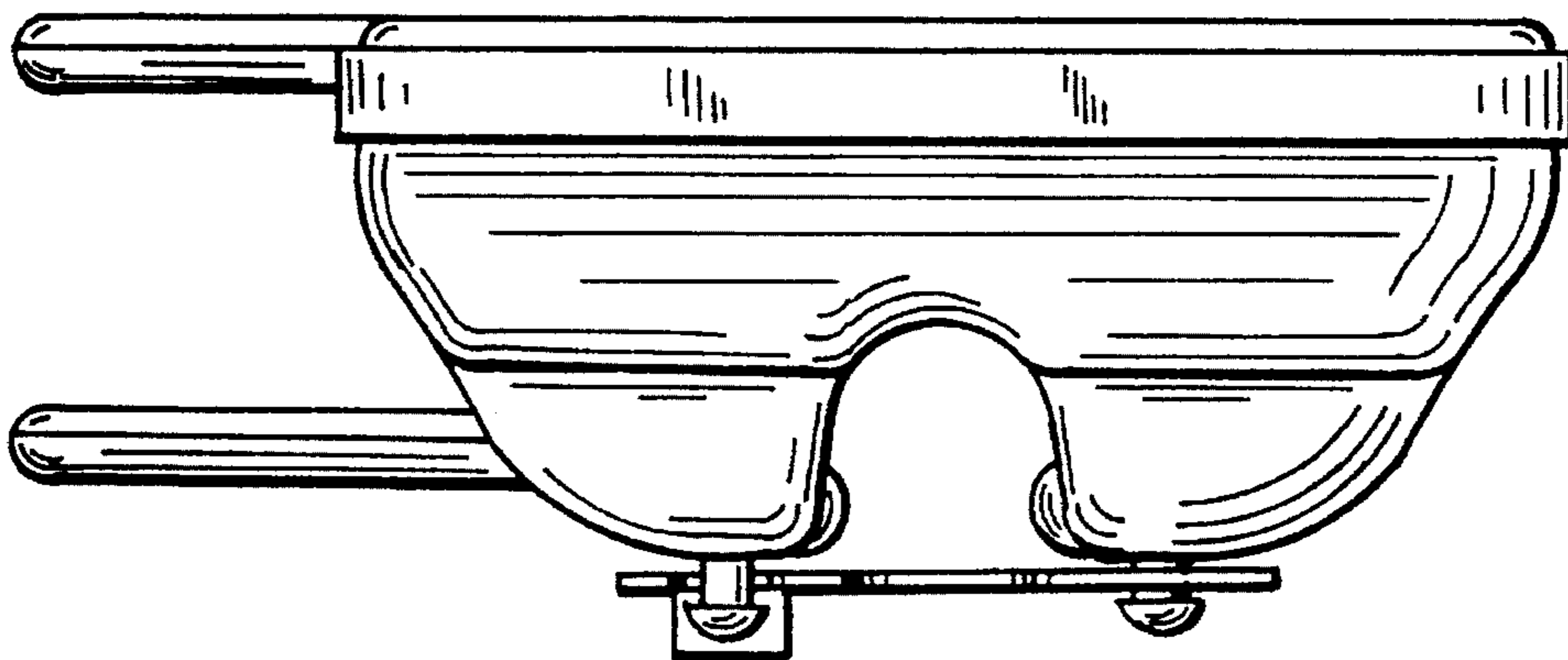


FIG. 6

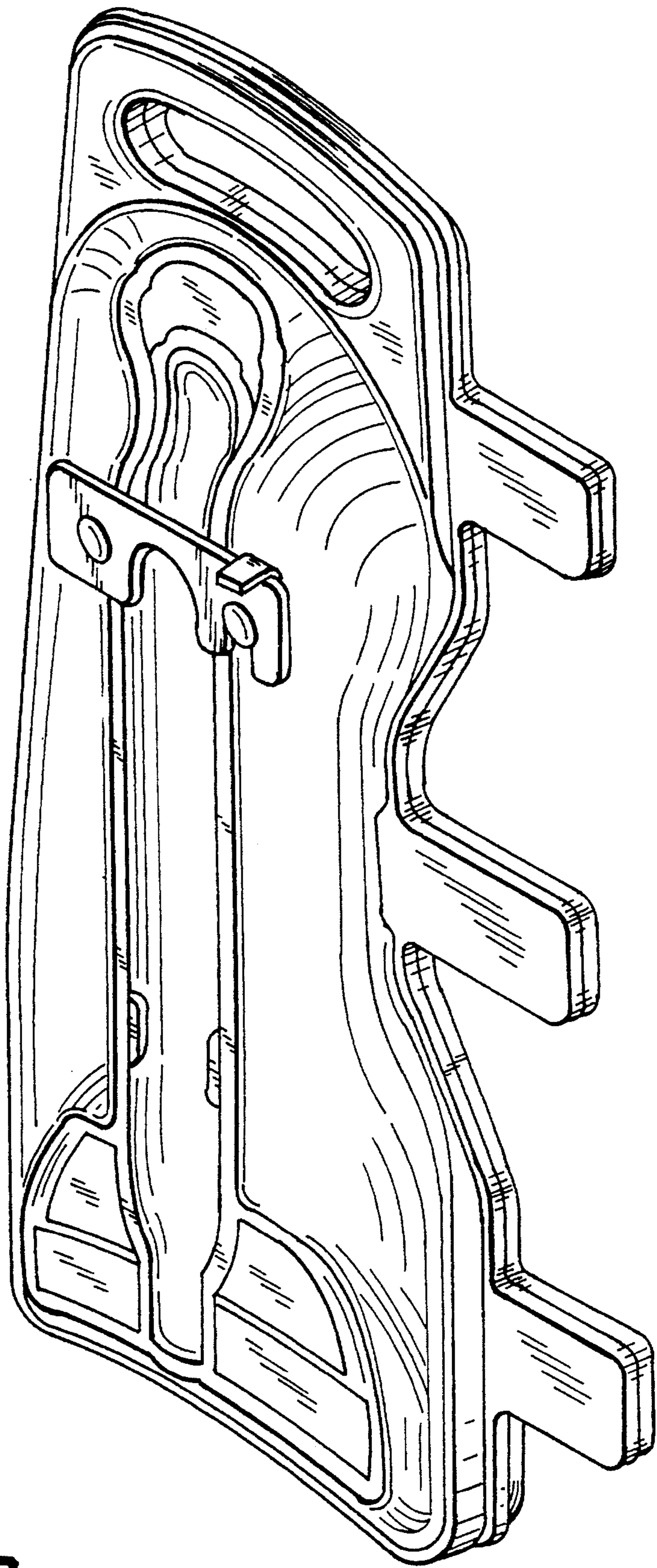


FIG. 7