



US00D363161S

# United States Patent [19]

Abrams et al.

[11] Patent Number: **Des. 363,161**

[45] Date of Patent: **\*\*Oct. 17, 1995**

[54] **CONTACT LENS PACKAGE**

[75] Inventors: **Richard W. Abrams; Russell J. Crossman**, both of Jacksonville, Fla.;  
**Charles R. Ashley**, Asbury, N.J.

[73] Assignee: **Johnson & Johnson Vision Products, Inc.**, Jacksonville, Fla.

[\*\*] Term: **14 Years**

[21] Appl. No.: **21,786**

[22] Filed: **Apr. 21, 1994**

[52] U.S. Cl. .... **D3/264**

[58] Field of Search ..... D3/201, 263, 264;  
D9/341, 415; D16/134-136; 206/822, 5.1,  
205, 316.1; 134/143, 156, 901

[56] **References Cited**

**U.S. PATENT DOCUMENTS**

D. 212,480	10/1968	Mead	.....	D9/341
D. 273,565	4/1984	Driskell et al.	.....	D9/415
D. 273,765	5/1984	Cillario	.....	D9/341
D. 276,215	11/1984	Wang	.....	D9/415
D. 279,865	7/1985	McKee	.....	D9/415

D. 287,105	12/1986	Osterhout	.....	D9/415
D. 299,085	12/1988	Martinez	.....	D3/264
D. 305,478	1/1990	Lahm et al.	.....	D3/264
D. 342,025	12/1993	Abraben et al.	.....	D9/415
4,415,076	11/1983	Campbell	.....	206/5.1
4,691,820	9/1987	Martinez	.....	206/205
5,042,655	8/1991	Beldyk et al.	.....	206/316.1
5,168,993	12/1992	Yen	.....	206/316.1

*Primary Examiner*—C. A. Murphy

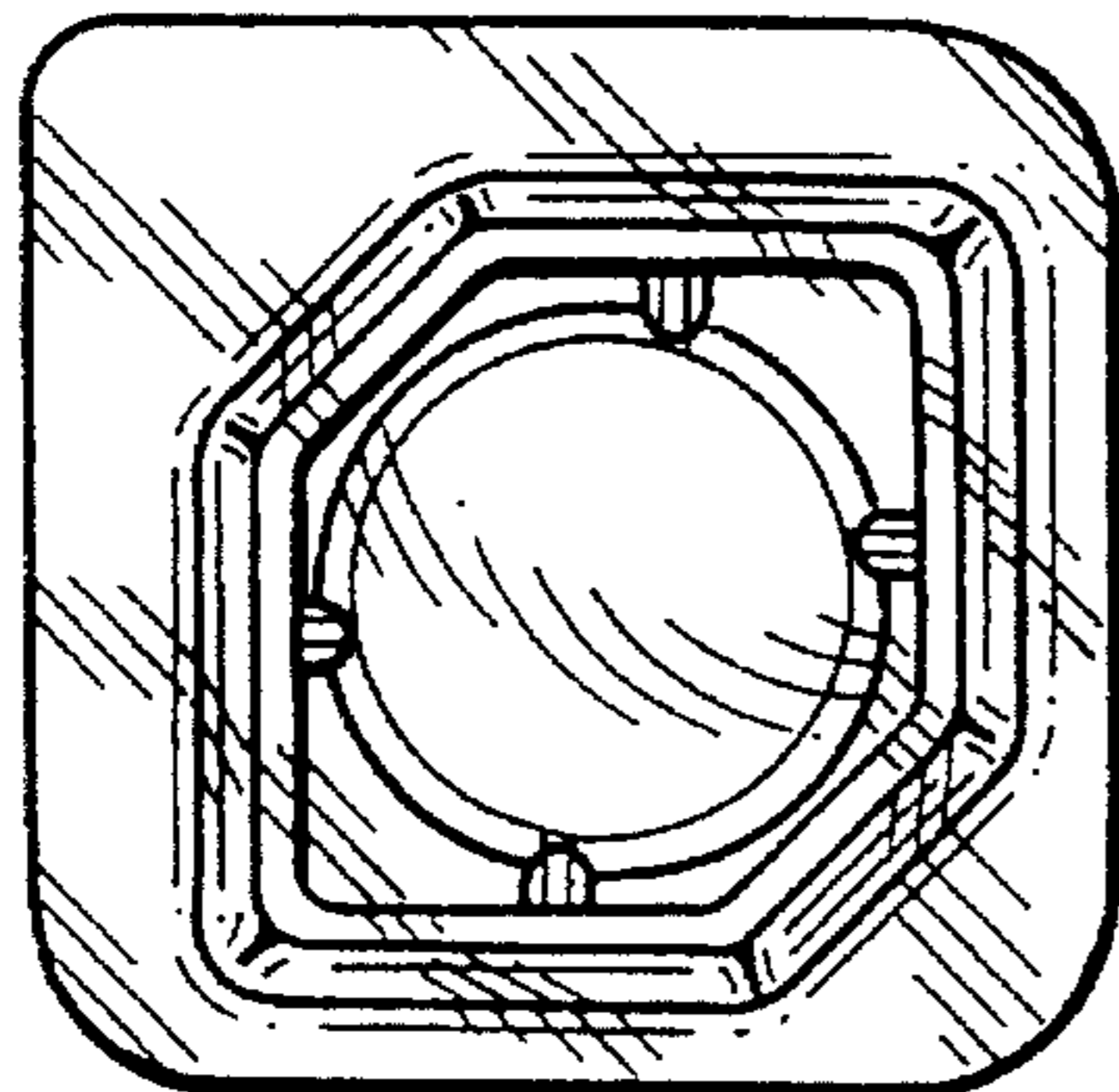
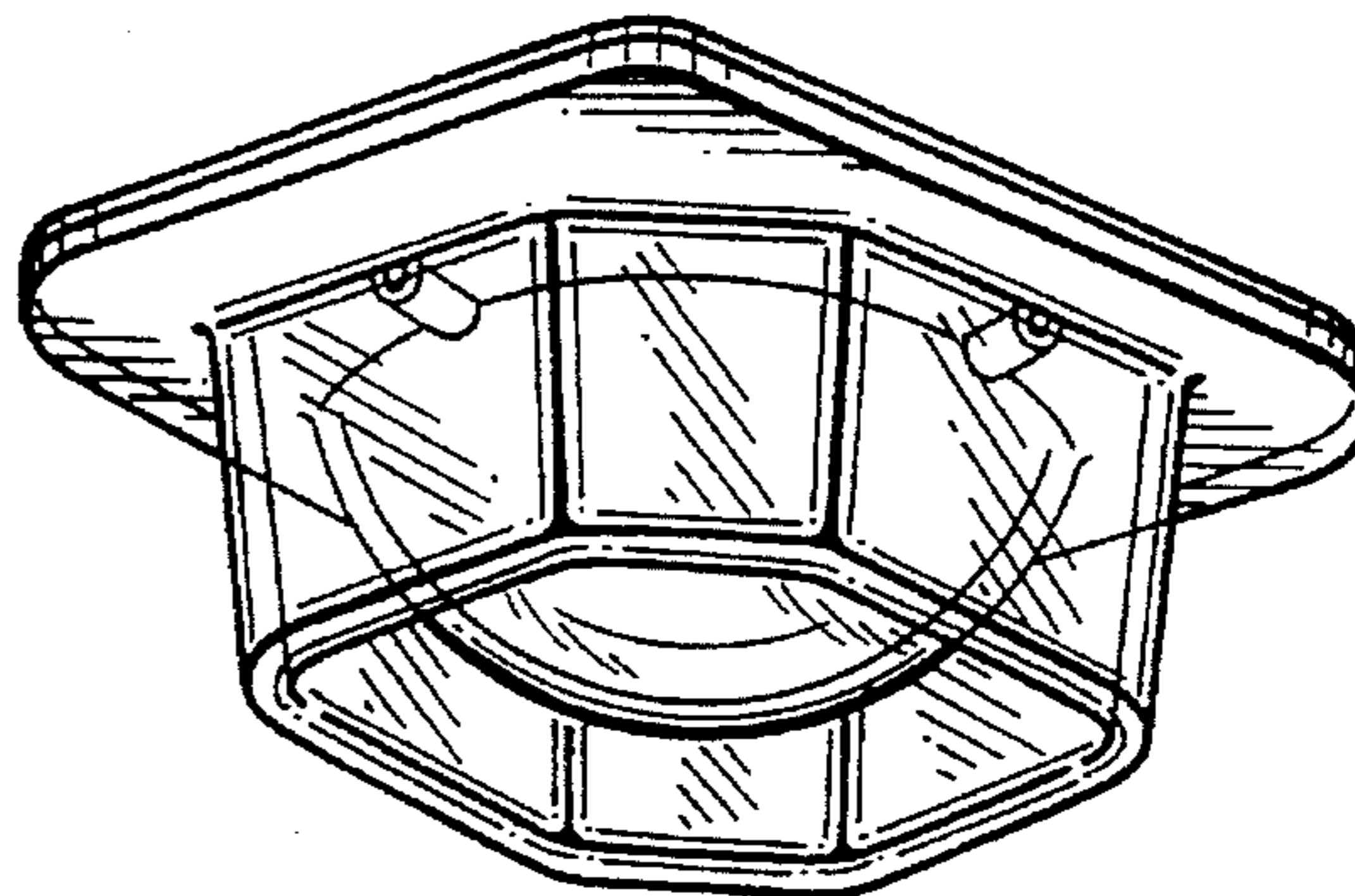
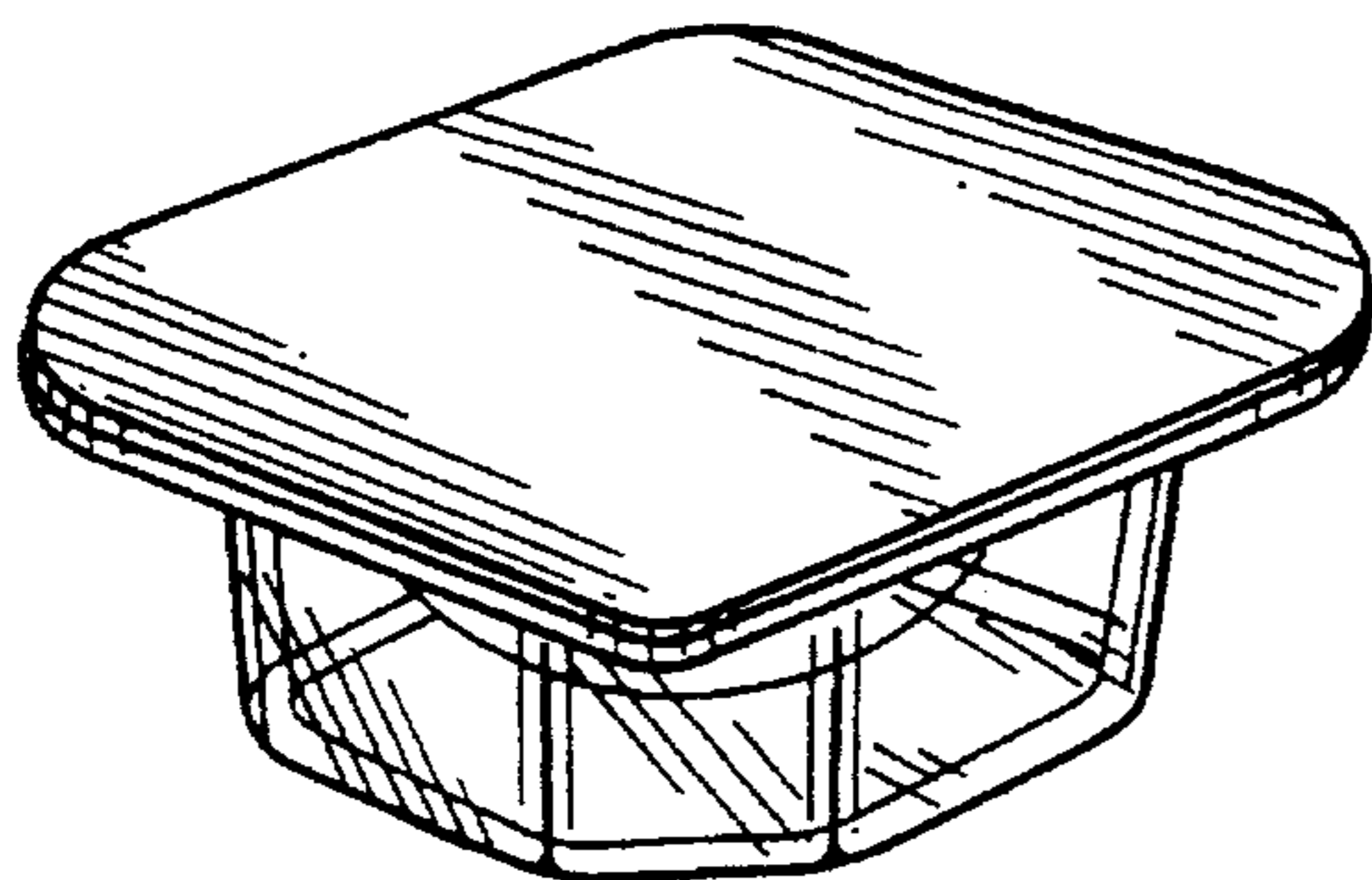
[57] **CLAIM**

The ornamental design for a contact lens package, as shown and described.

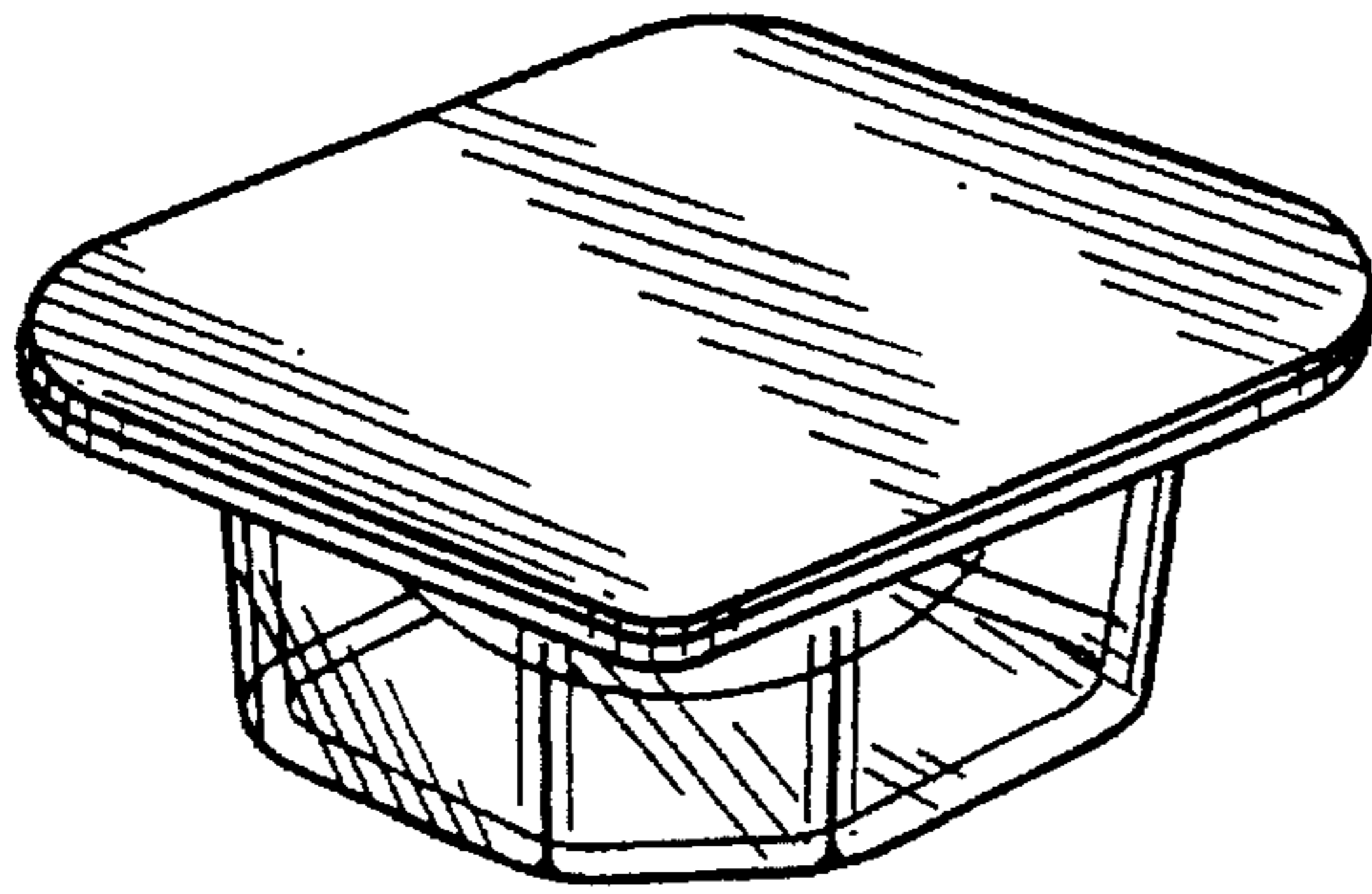
**DESCRIPTION**

FIG. 1 is a perspective view of a contact lens package showing our new design;  
FIG. 2 is a top plan view thereof;  
FIG. 3 is a rear elevational view thereof, the left side being identical, and the front and right elevational views being mirror images;  
FIG. 4 is a bottom plan view; and,  
FIG. 5 is a bottom perspective view thereof.

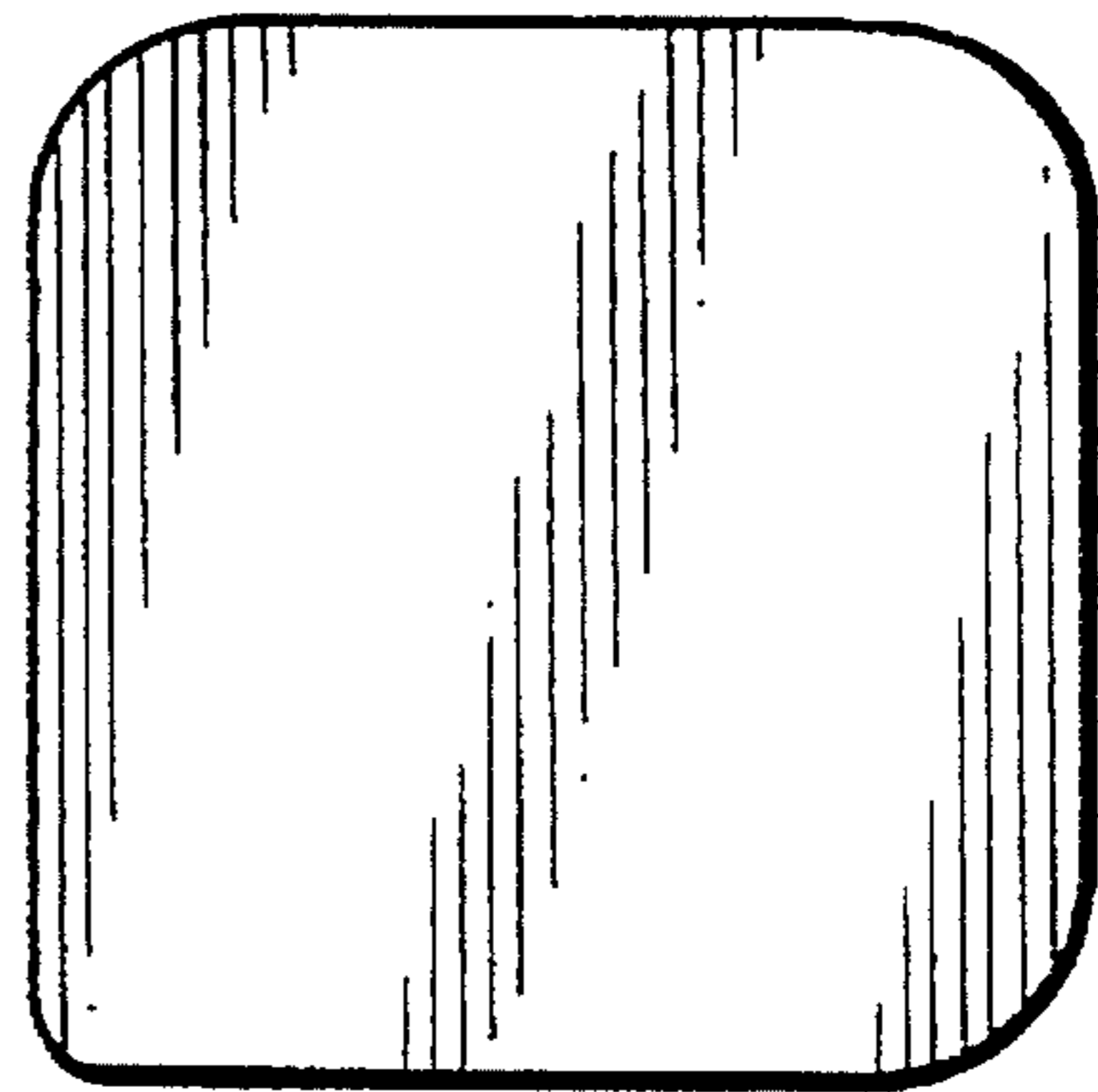
**1 Claim, 2 Drawing Sheets**



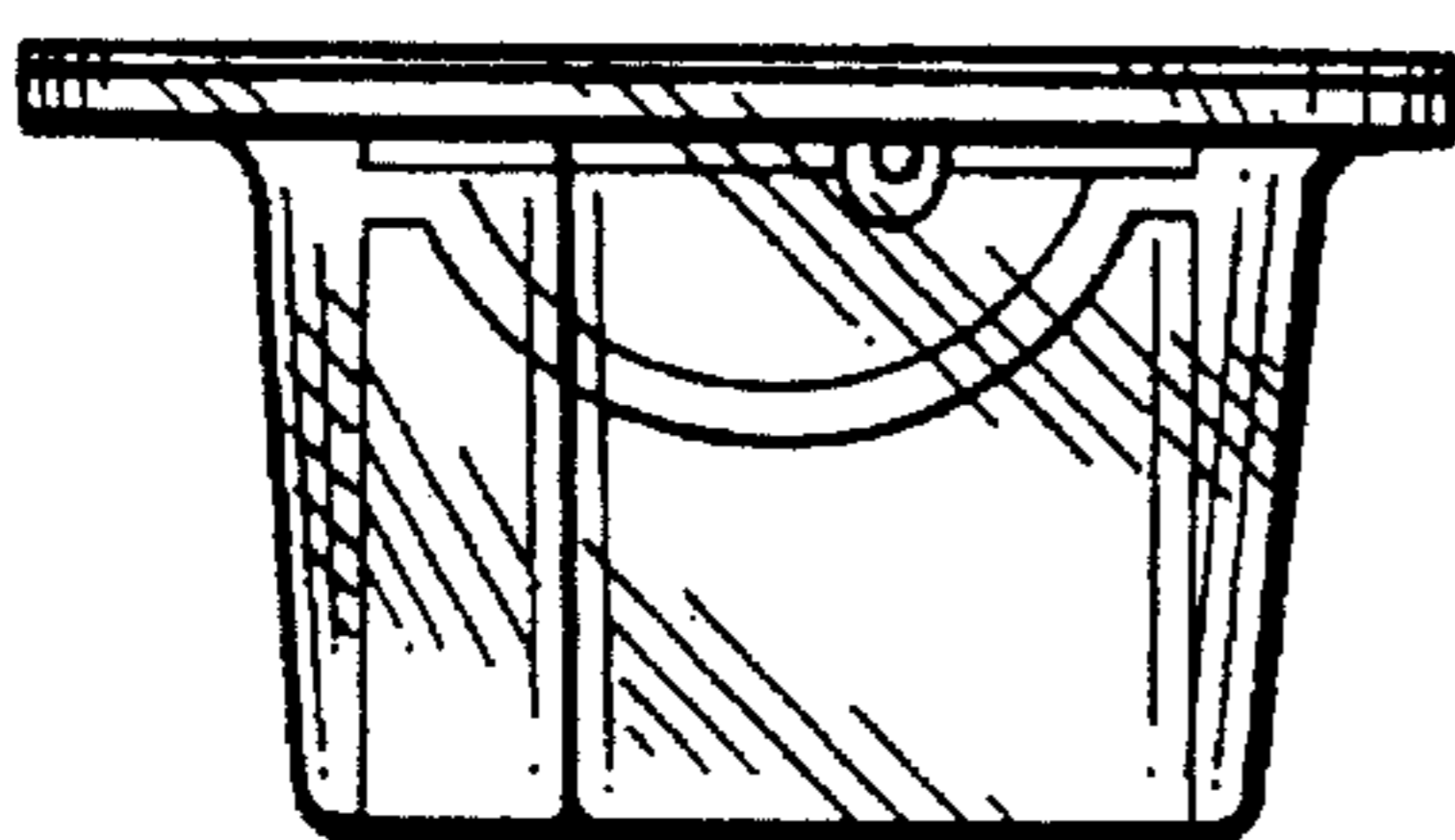
*FIG. 1*



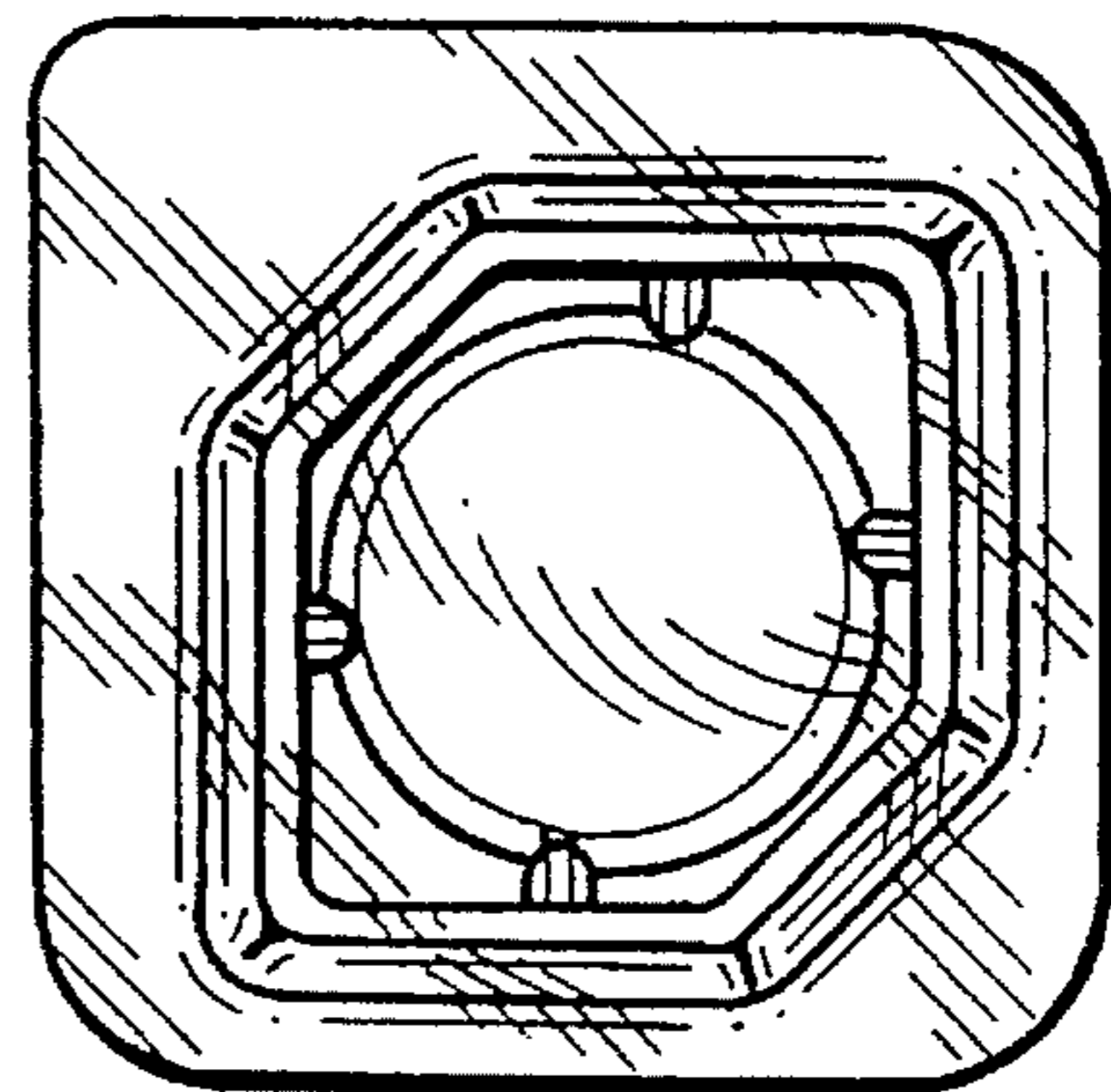
*FIG. 2*



*FIG. 3*



*FIG. 4*



*FIG. 5*

