



US00D363150S

United States Patent [19] Boyer

[11] Patent Number: Des. 363,150

[45] Date of Patent: **Oct. 10, 1995

[54] HOT WATER TANK CLEAN OUT TOOL

5,033,156 7/1991 Stewart 15/236.04 X

[76] Inventor: Paul J. Boyer, 8005 Hickory Hill Rd.,
Henley, Mo. 65040

[**] Term: 14 Years

[21] Appl. No.: 27,732

[22] Filed: Aug. 29, 1994

[52] U.S. Cl. D32/35; D8/89

[58] Field of Search D32/40, 41, 42,
D32/43, 47, 49, 52, 48; D7/688, 693, 695;
15/236.04, 1.7, 121, 232, 236.01, 236.02,
245, 245.1, 236.07, 237.08, 236.09, 236.05;
30/169, 171; D8/14, 88, 89

[56] **References Cited**

U.S. PATENT DOCUMENTS

D. 54,308	12/1919	Deneker	D8/89
D. 55,792	7/1920	Hudgins	D8/89
D. 59,371	10/1921	Nelson	D8/89
D. 134,799	4/1943	Taylor	D8/89
D. 244,507	5/1977	Jones	D7/5
D. 246,027	10/1977	Bartz	D8/11
1,015,503	1/1912	Merrill	D8/88 X

OTHER PUBLICATIONS

Modern Tire Dealer, Sep. 1960, p. 74, Item=Braketool.
Hardware Age, Nov. 1960 p. 214, Item=Superbar.

Primary Examiner—Susan J. Lucas

Assistant Examiner—Cynthia Ramirez

Attorney, Agent, or Firm—Roger, Howell & Hafer Kamp

[57] CLAIM

The ornamental design for a hot water tank clean out tool,
as shown and described.

DESCRIPTION

FIG. 1 is an orthographic projection of a hot water tank clean
out tool showing my new design;

FIG. 2 is a left side elevational view thereof;

FIG. 3 is a right side elevational view thereof;

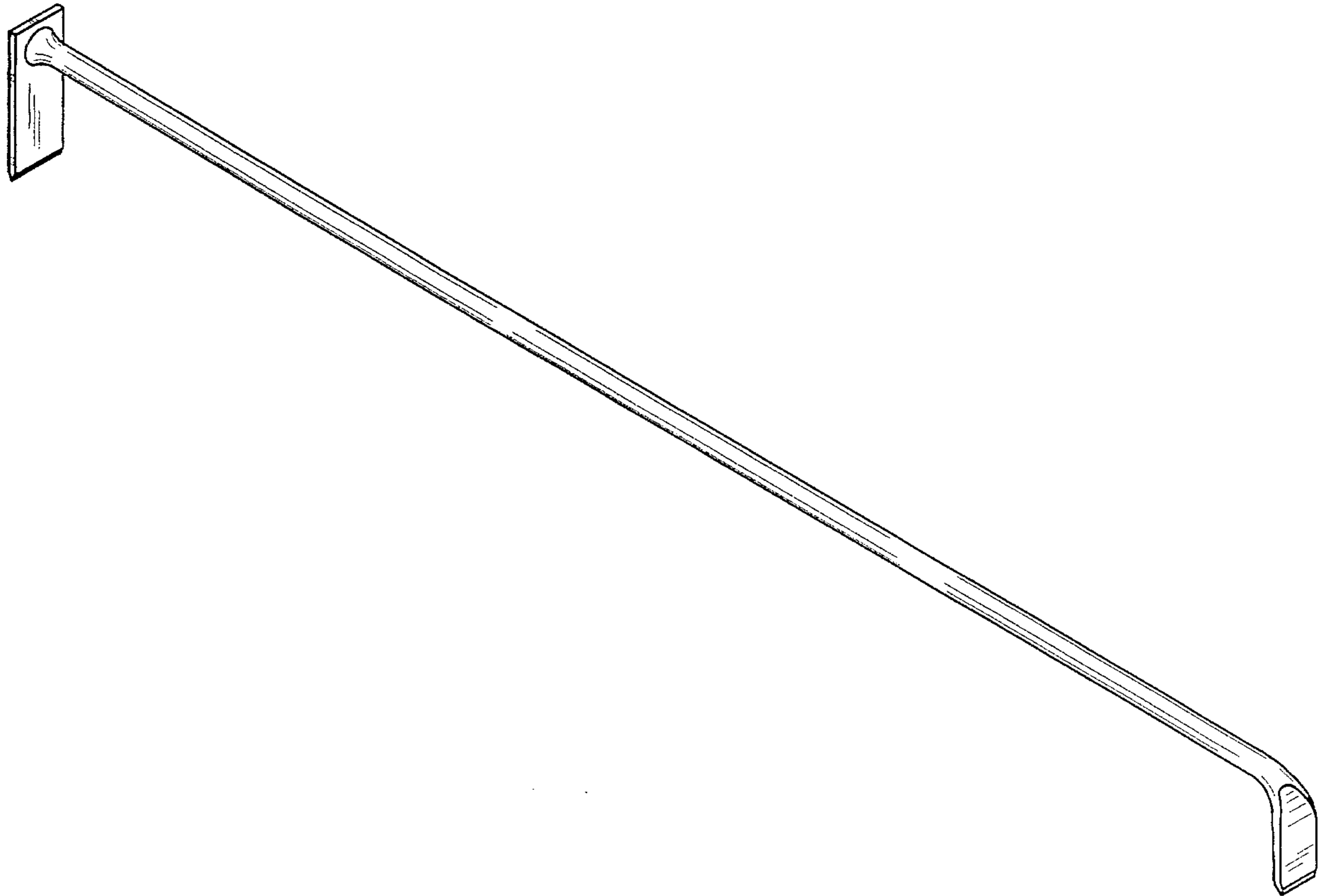
FIG. 4 is a front elevational view thereof;

FIG. 5 is a back elevational view thereof;

FIG. 6 is a top plan view thereof; and,

FIG. 7 is a bottom plan view thereof.

1 Claim, 2 Drawing Sheets



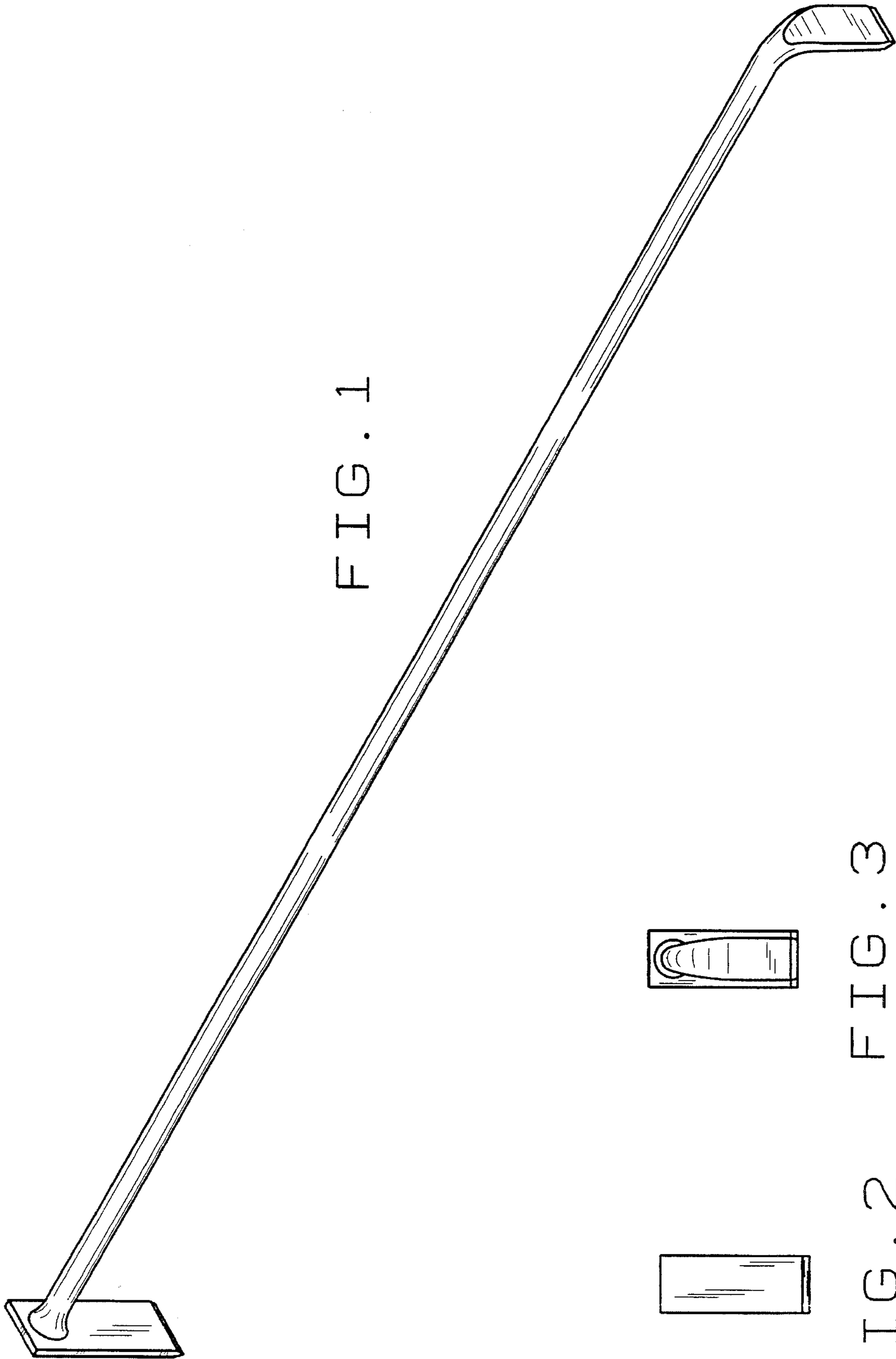


FIG. 1



FIG. 2 FIG. 3

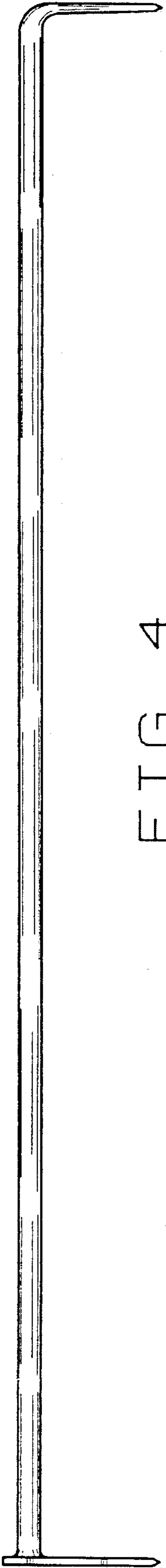


FIG. 4

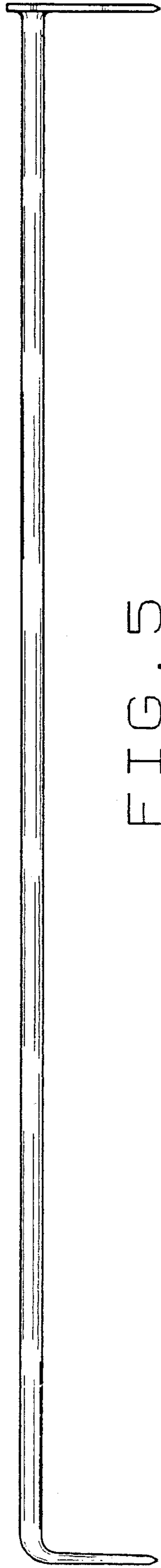


FIG. 5



FIG. 6

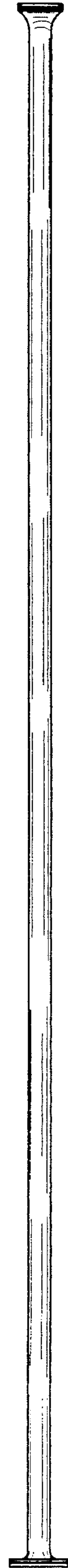


FIG. 7