



US00D363149S

United States Patent [19]

[11] Patent Number: **Des. 363,149**

Franke et al.

[45] Date of Patent: ****Oct. 10, 1995**

[54] **POWER HEAD FOR A VEGETATION DEBRIS BLOWER**

4,836,467 6/1989 Rodgers 15/316.1

[75] Inventors: **Jeffery S. Franke; Daniel A. Garrison,** both of Charlotte, N.C.; **Carroll M. Gantz,** Pittsburgh, Pa.

Primary Examiner—A. Hugo Word
Assistant Examiner—Holly Baynham
Attorney, Agent, or Firm—Perman & Green

[73] Assignee: **Homelite, Inc.,** Charlotte, N.C.

[**] Term: **14 Years**

[57] **CLAIM**

The ornamental design for a power head for a vegetation debris blower, as shown and described.

[21] Appl. No.: **26,164**

DESCRIPTION

[22] Filed: **Jul. 21, 1994**

[52] U.S. Cl. **D32/15; D15/17**

[58] **Field of Search** D32/15, 17; D15/17;
D28/12; 15/405, 316.1, 318.1; 417/423.1–423.2,
236

FIG. 1 is a front, top and left side perspective view of a power head for a vegetation debris blower showing our new design;

FIG. 2 is a left side elevational view thereof;

FIG. 3 is a top plan view thereof;

FIG. 4 is a front elevational view thereof;

FIG. 5 is a rear elevational view thereof;

FIG. 6 is a right side elevational view thereof; and,

FIG. 7 is a bottom plan view thereof.

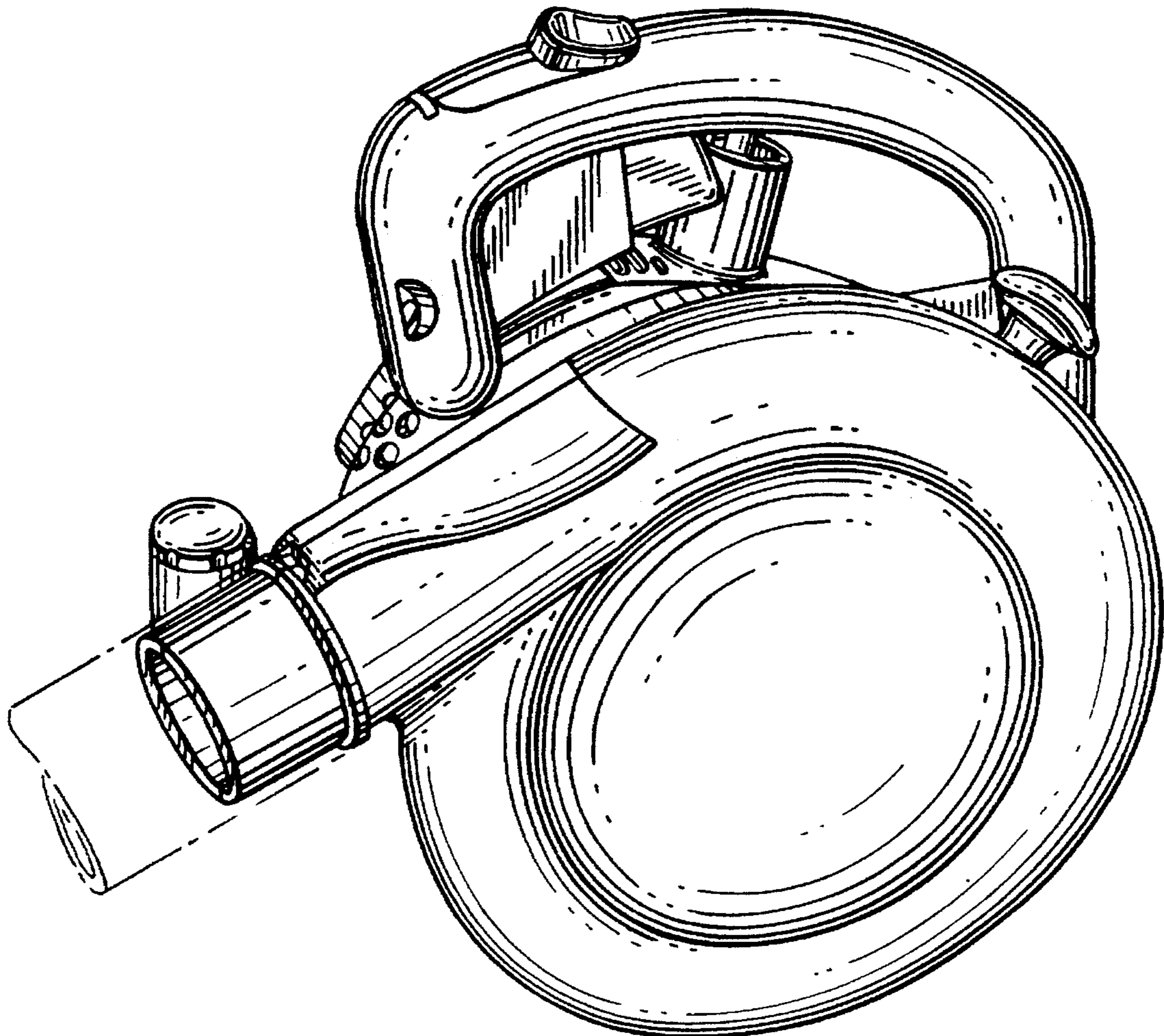
The broken lines showing of the discharge tube is for illustrative purposes only and forms no part of the claimed design.

[56] **References Cited**

U.S. PATENT DOCUMENTS

D. 199,608	11/1964	Jepson	D28/12
D. 205,015	8/1965	Madl	D28/12
D. 354,378	1/1995	McKnight et al.	D32/15
3,698,832	10/1972	Price	417/423.1 X
4,756,668	7/1988	Gassen et al.	15/405 X

1 Claim, 4 Drawing Sheets



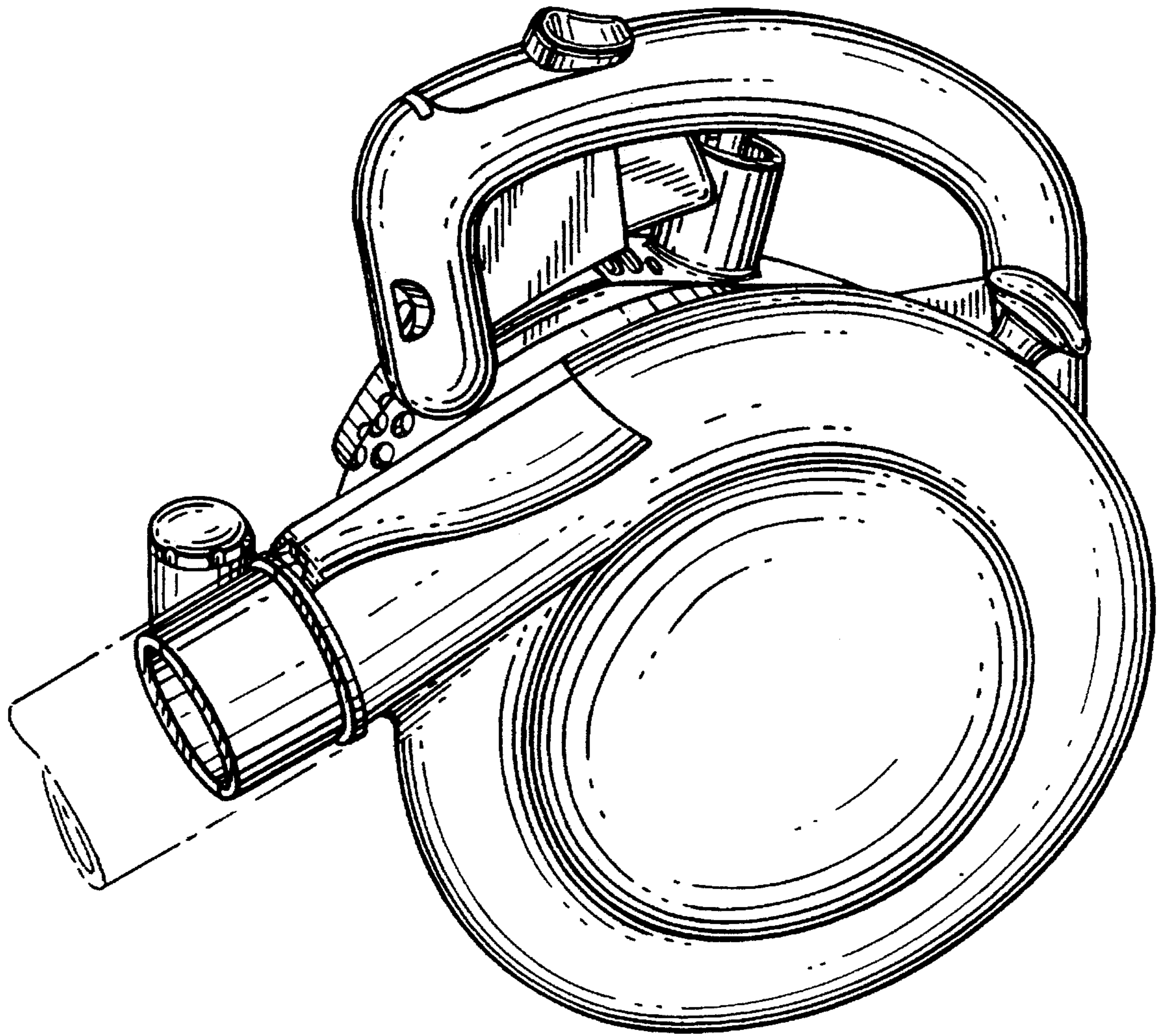


FIG. 1

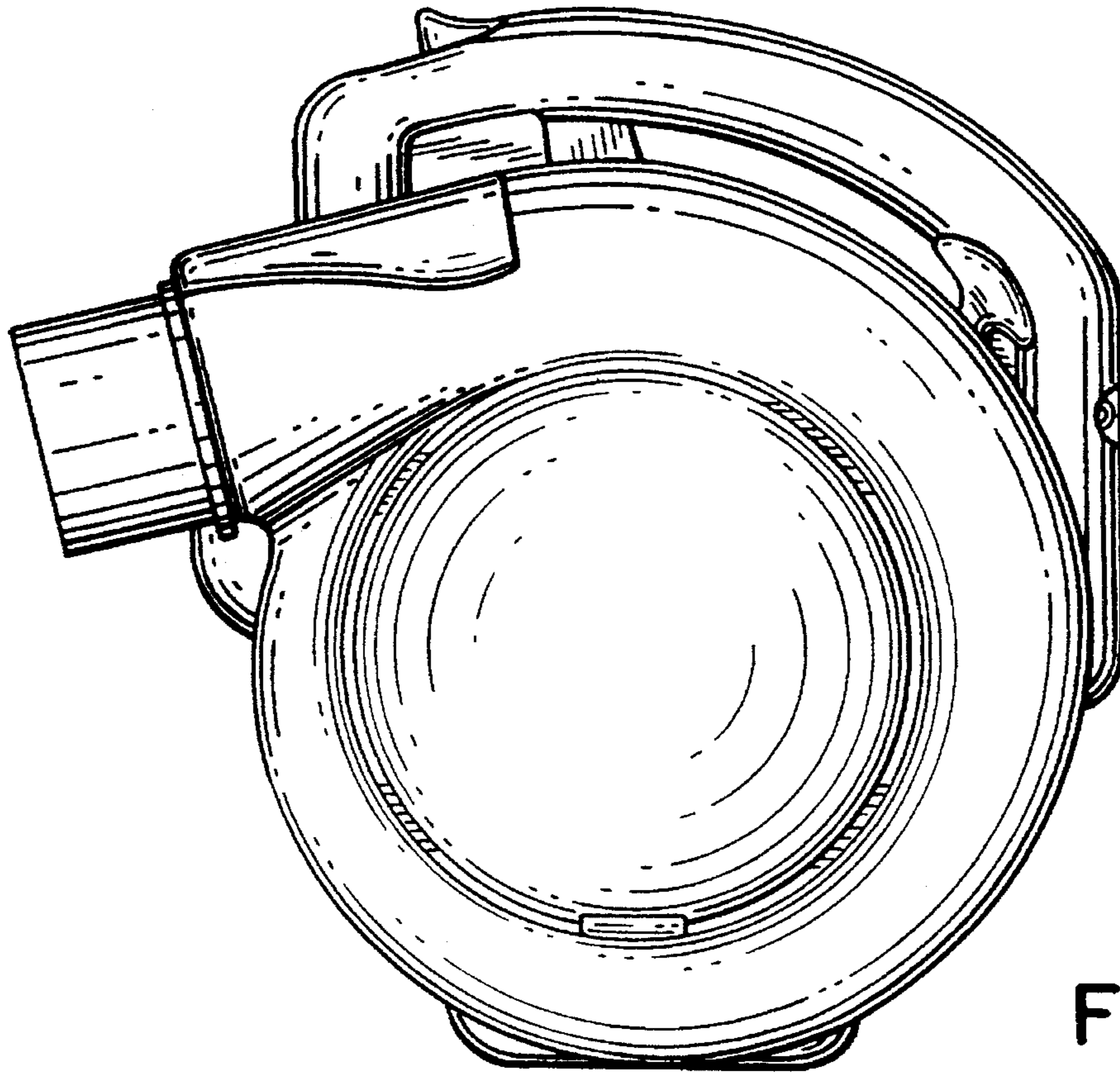


FIG. 2

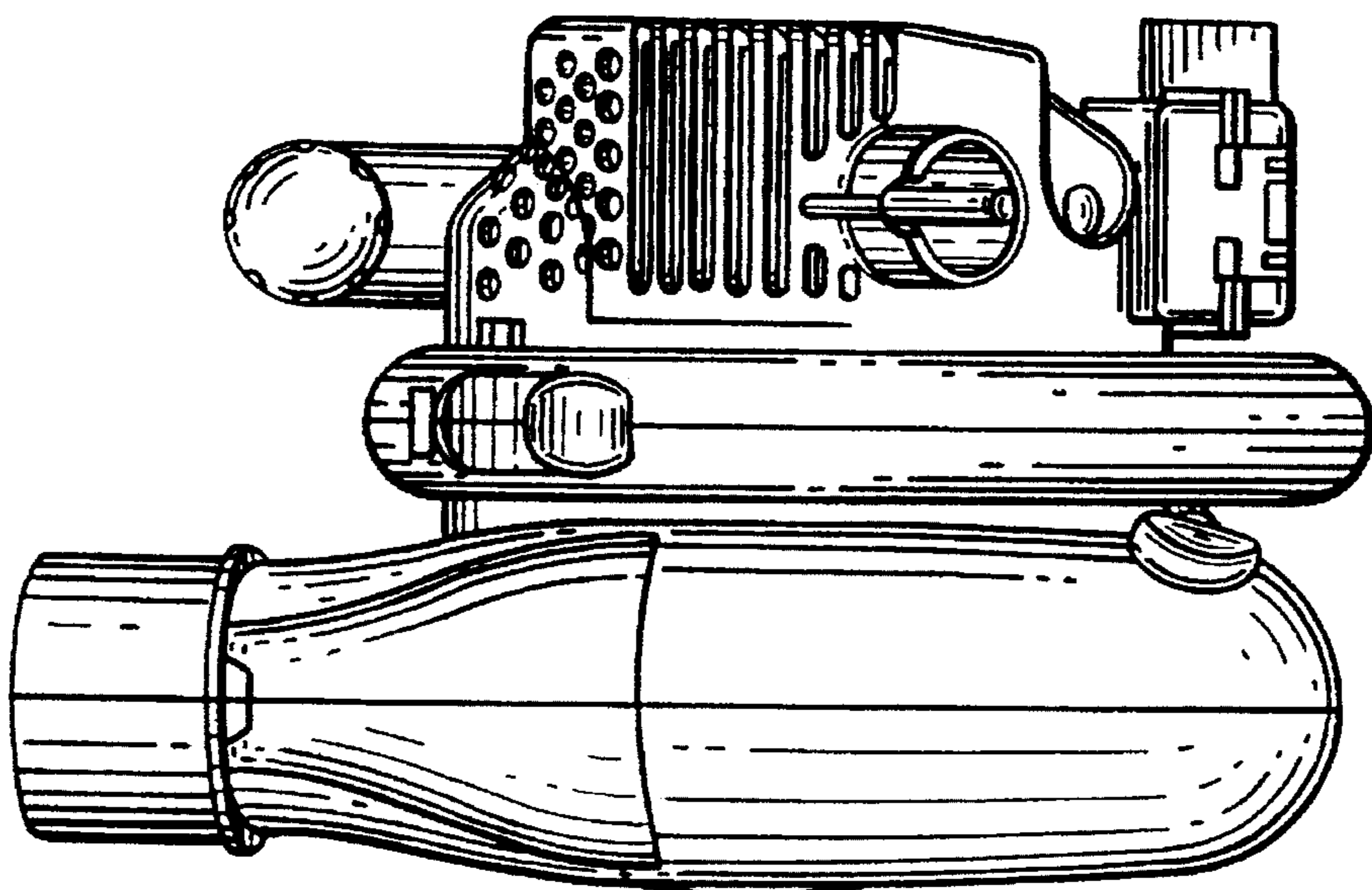


FIG. 3

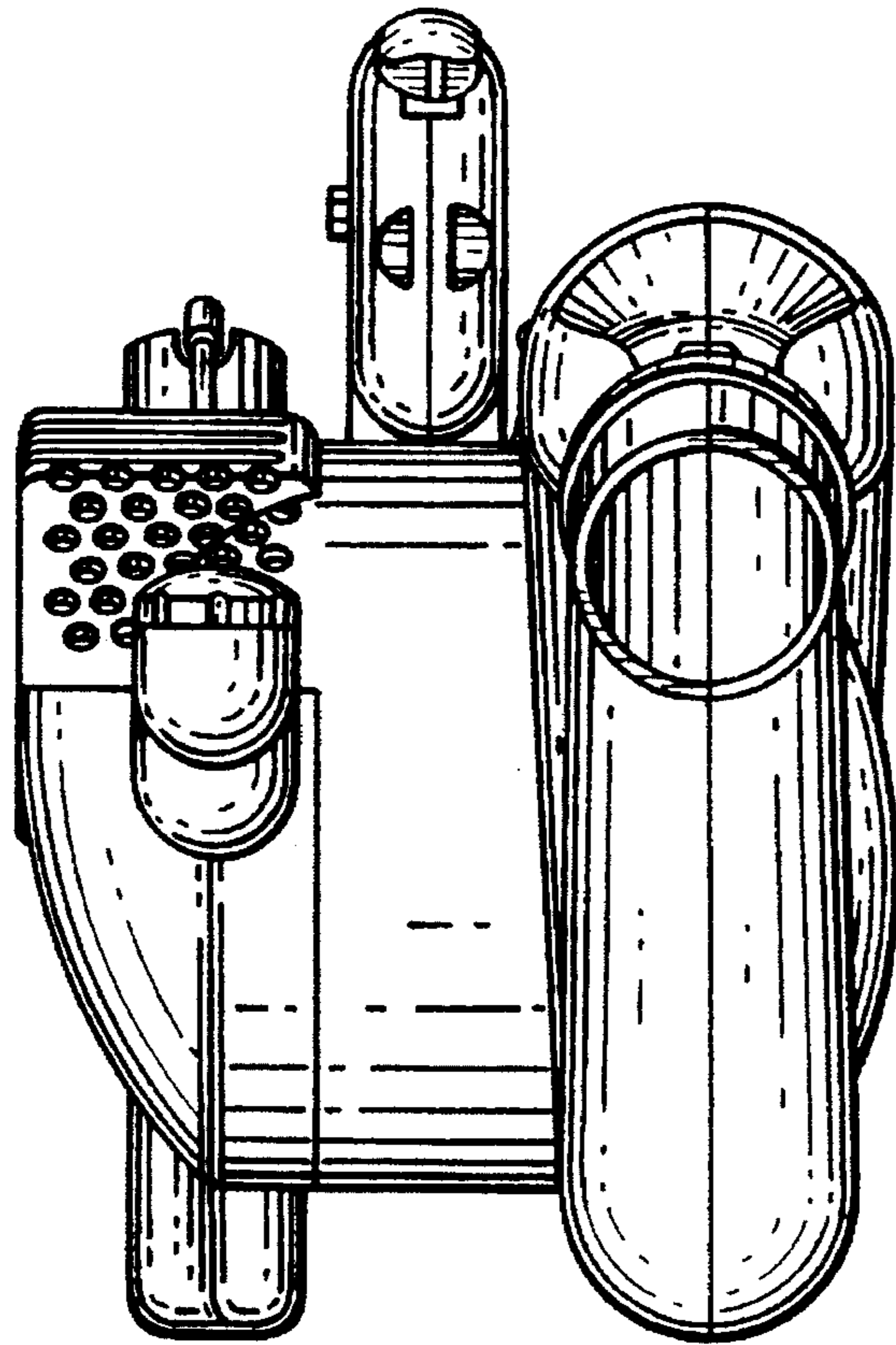


FIG. 4

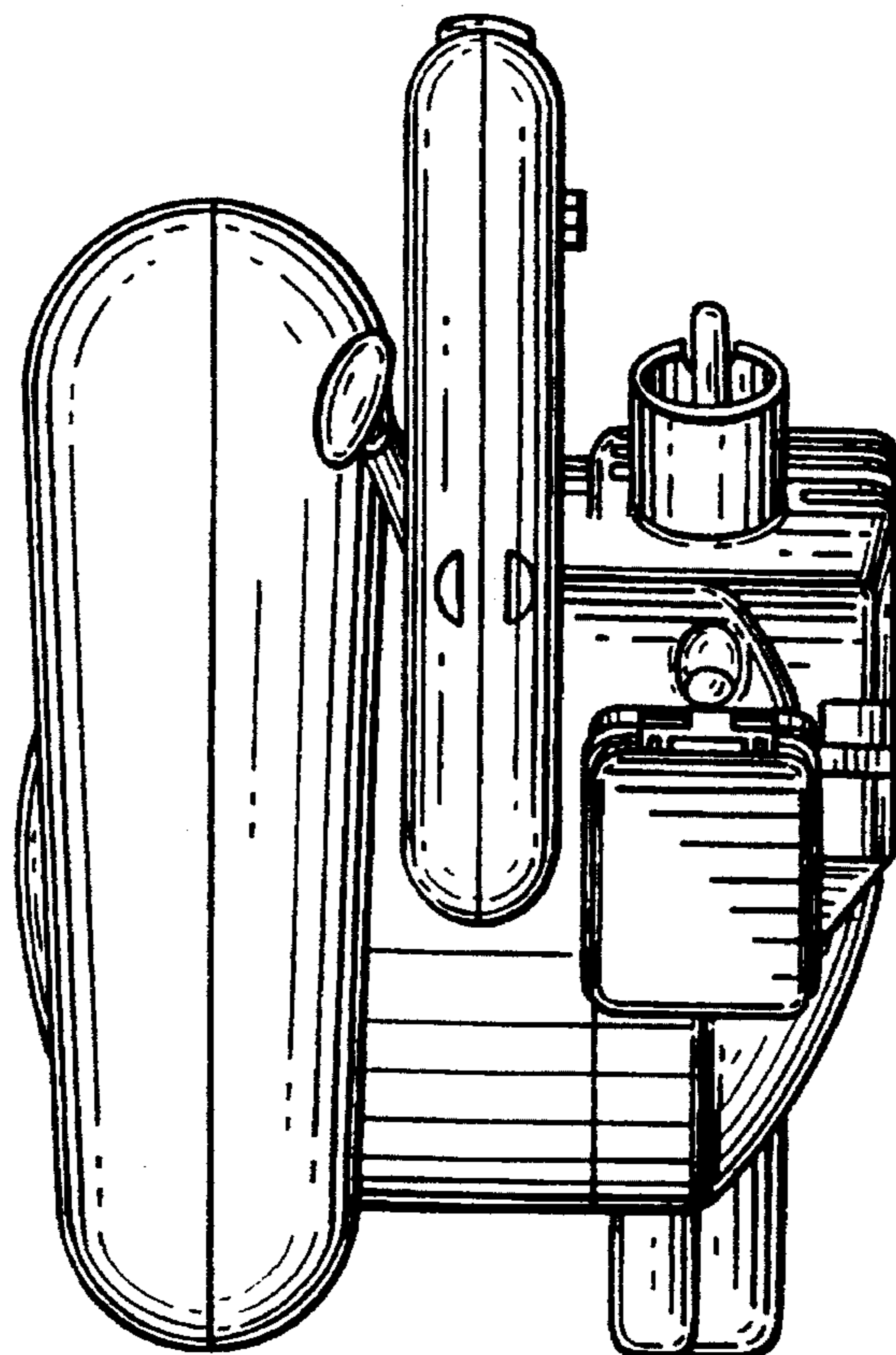


FIG. 5

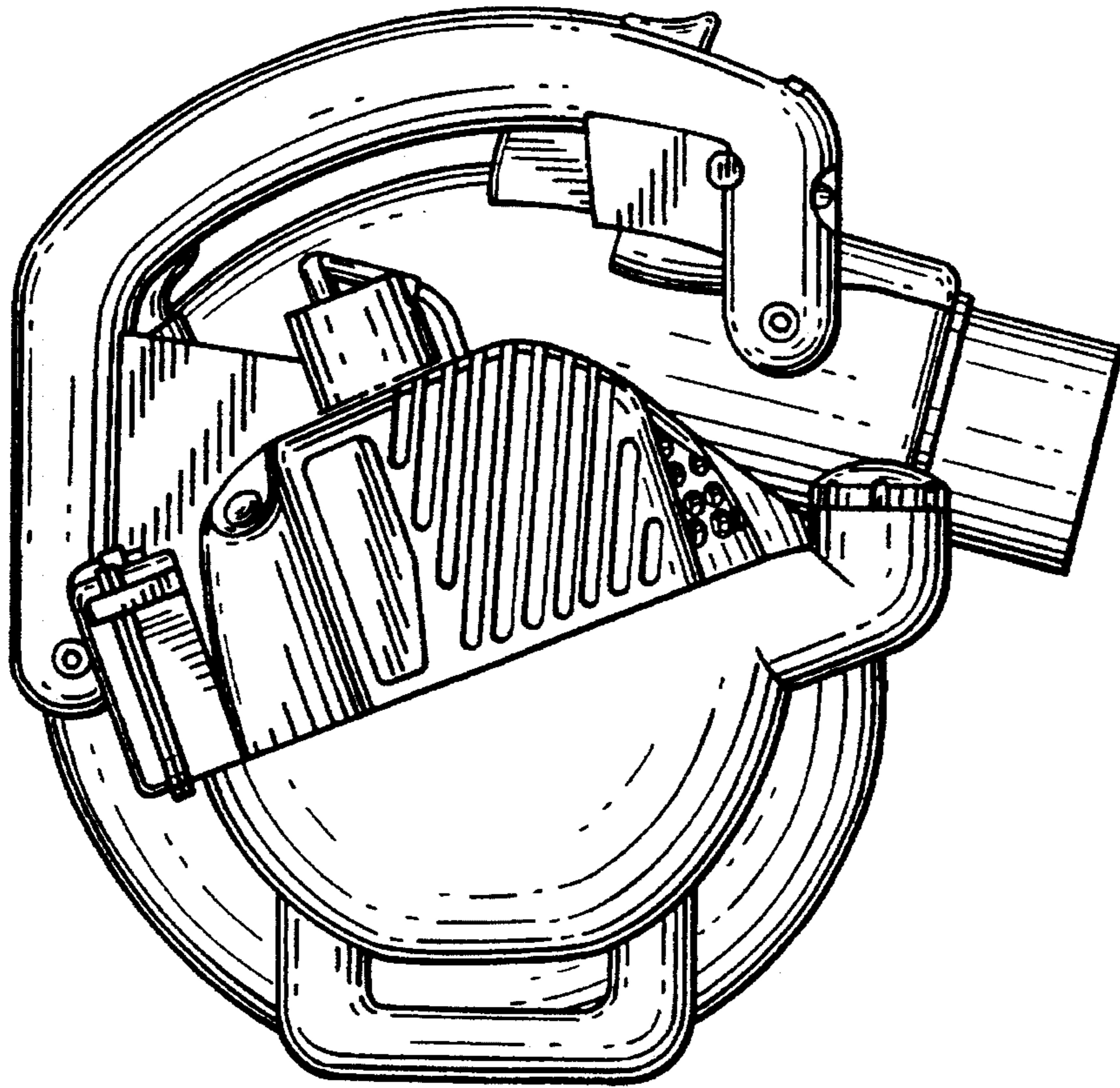


FIG. 6

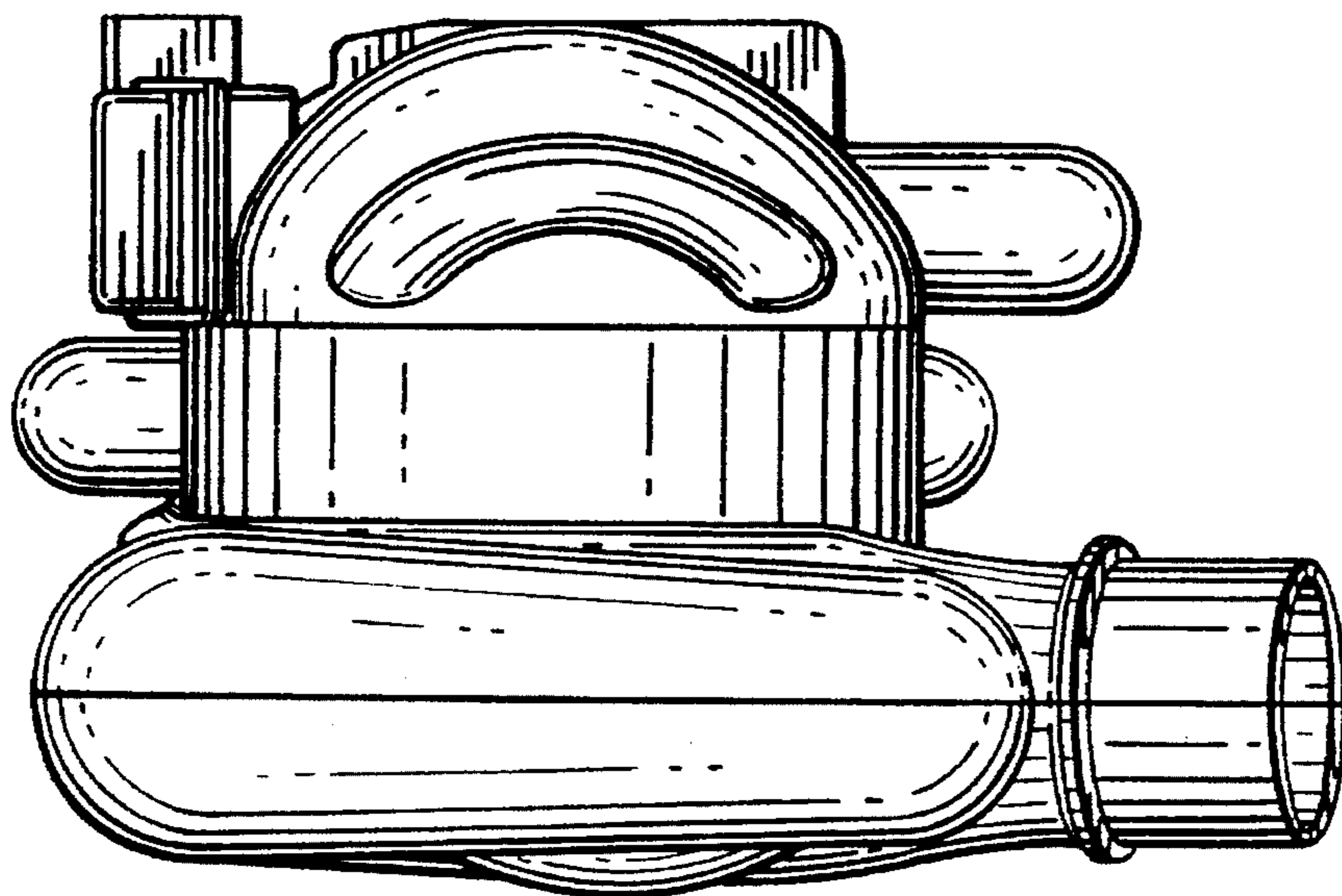


FIG. 7