



US00D363148S

United States Patent [19] Frasier

[11] Patent Number: **Des. 363,148**

[45] Date of Patent: ****Oct. 10, 1995**

[54] **PARROT TOY**

[75] Inventor: **Lyman H. Frasier**, Denver, Colo.

[73] Assignee: **Frasier Products, Inc.**, Denver, Colo.

[**] Term: **14 Years**

[21] Appl. No.: **32,428**

[22] Filed: **Dec. 19, 1994**

[52] U.S. Cl. **D30/160**; D30/119; 411/84

[58] Field of Search 119/707-711; D30/160,
D30/119; D8/397; 411/84-85, 435

[56] **References Cited**

U.S. PATENT DOCUMENTS

D. 129,387	9/1941	Brary	D21/64
D. 280,650	9/1985	Tateyama	D21/64
293,394	2/1884	Albrecht	D21/64
D. 325,752	4/1992	Kilander	D21/64
D. 358,688	5/1995	Frasier	D30/160
D. 358,910	5/1995	Frasier	D30/160
1,574,578	2/1926	Holmes	411/435
4,830,203	5/1989	Ennis	411/84
5,022,345	6/1991	Bolivar et al.	119/26
5,184,698	2/1993	Coffenberry	411/435
5,237,903	8/1993	Bein et al.	446/419

FOREIGN PATENT DOCUMENTS

10772 of 1912 United Kingdom 119/26

OTHER PUBLICATIONS

Frasier Products, Inc. brochure Play Ring p. 3; Cover, pg. Bolt, Screw, Nut Toy.

Primary Examiner—Cathy Anne MacCormac

Attorney, Agent, or Firm—Dorr, Carson, Sloan & Birney

[57] CLAIM

The ornamental design for a parrot toy, as shown and described.

DESCRIPTION

FIG. 1 is a perspective view of the parrot toy; shown in dotted lines is the environment of a mounting bracket;

FIG. 2 is a front view of the parrot toy, with the rear view being a mirror image of FIG. 2;

FIG. 3 is a right side view of the parrot toy, with the left side view being a mirror image of FIG. 3;

FIG. 4 is a top view of the parrot toy; and,

FIG. 5 is a bottom view of the parrot toy.

The dotted lines shown on the parrot toy in FIG. 1 are for illustrative purposes only and form no part of the claimed design.

1 Claim, 2 Drawing Sheets

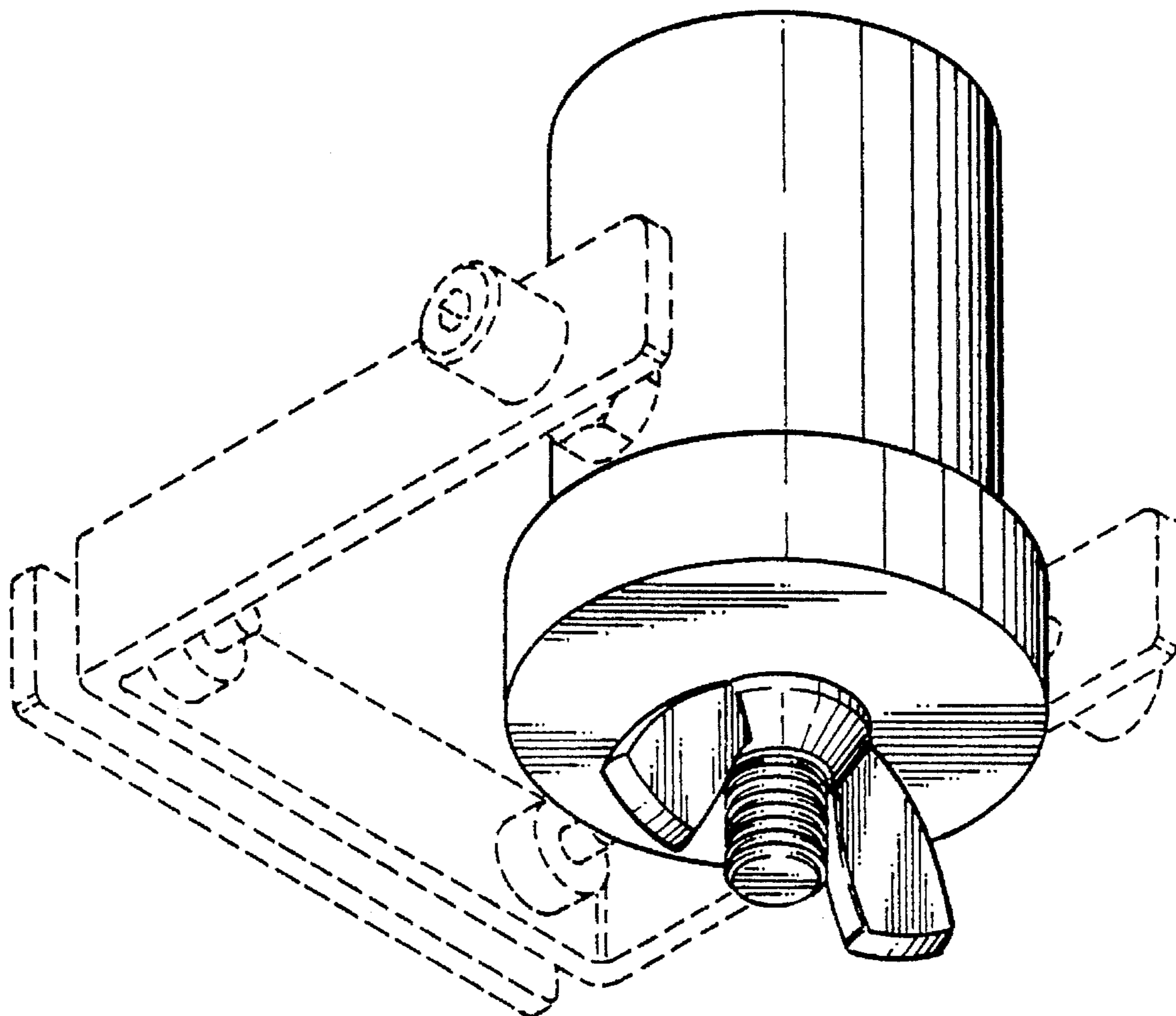


Fig. 1

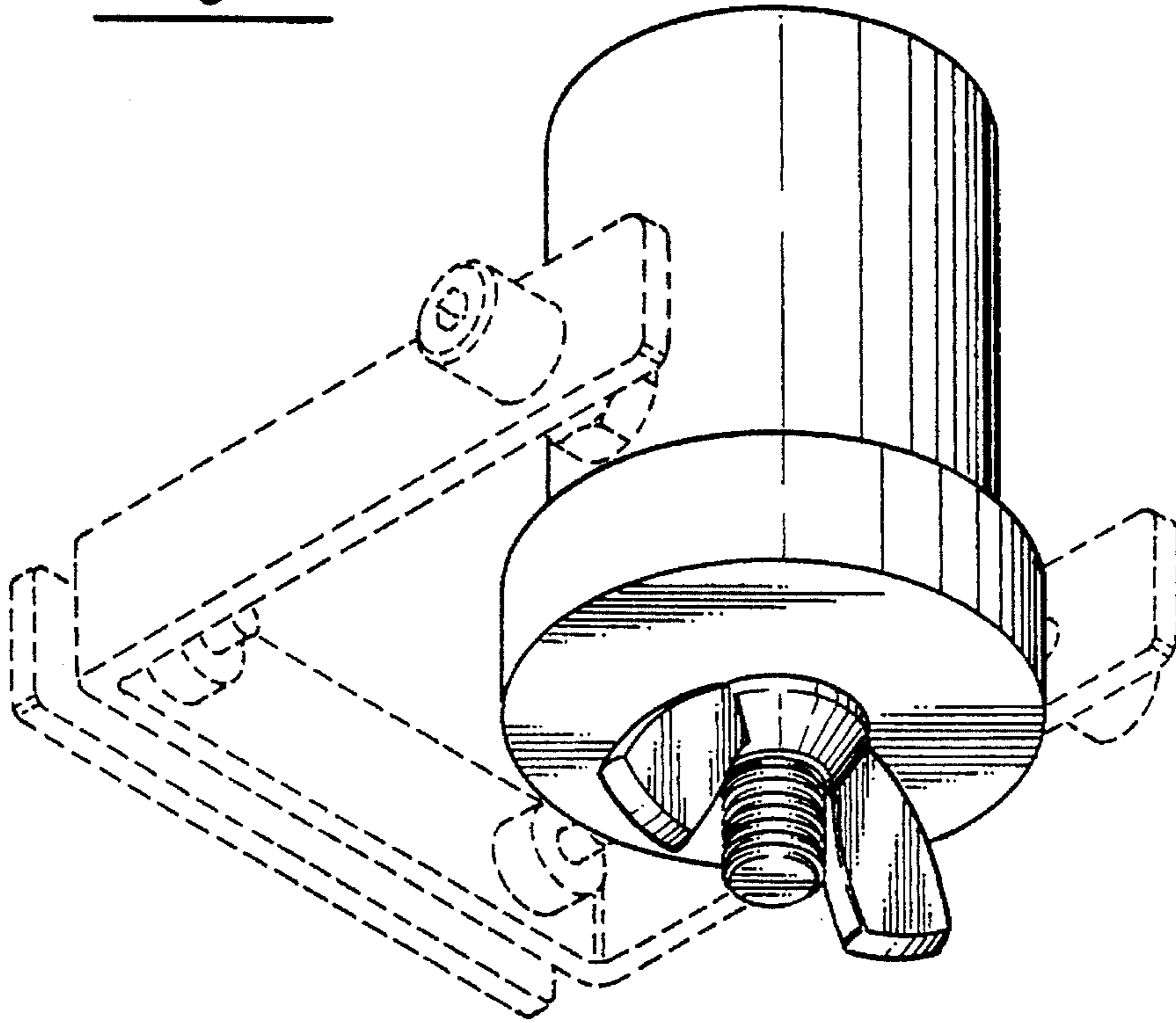


Fig. 2

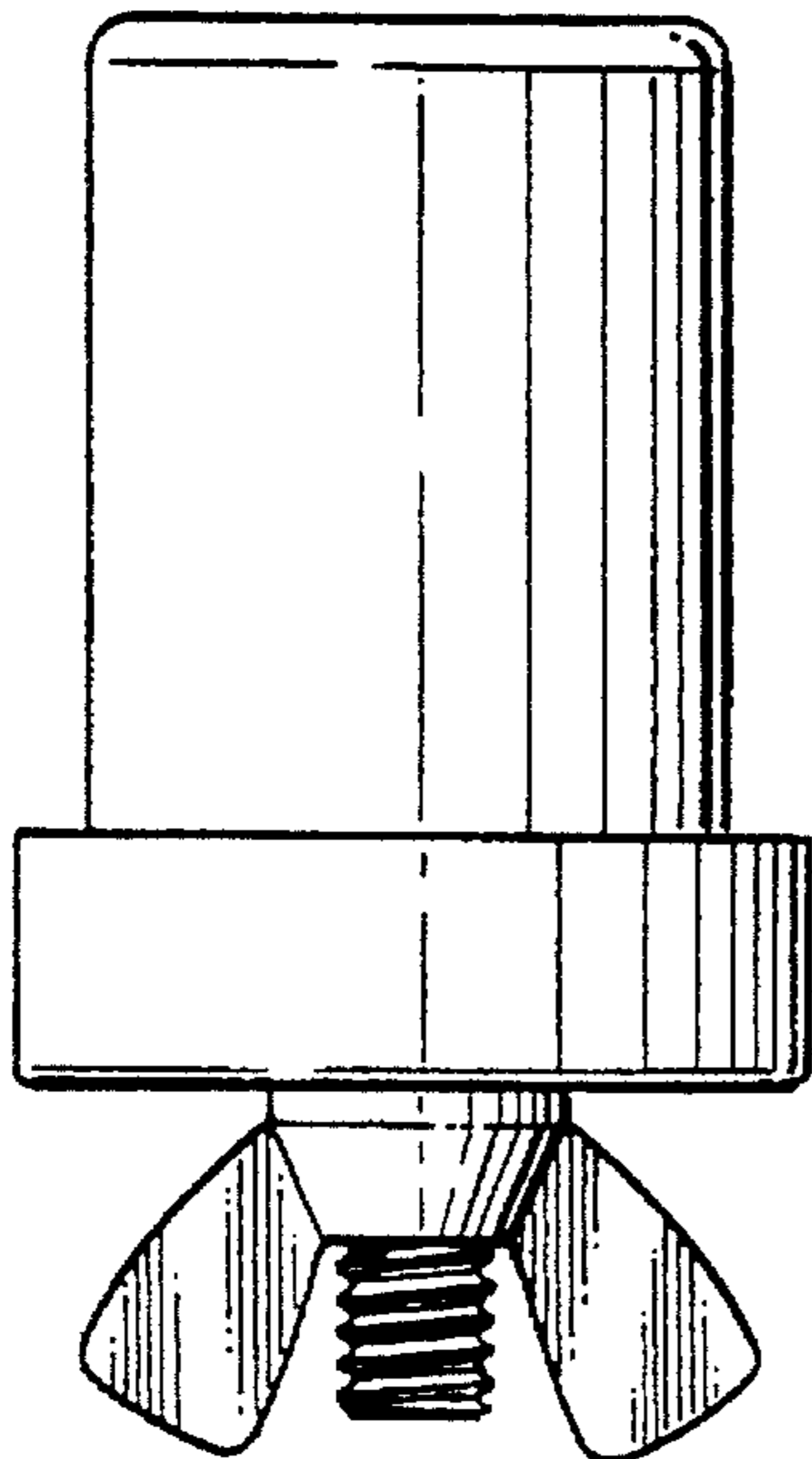


Fig. 3

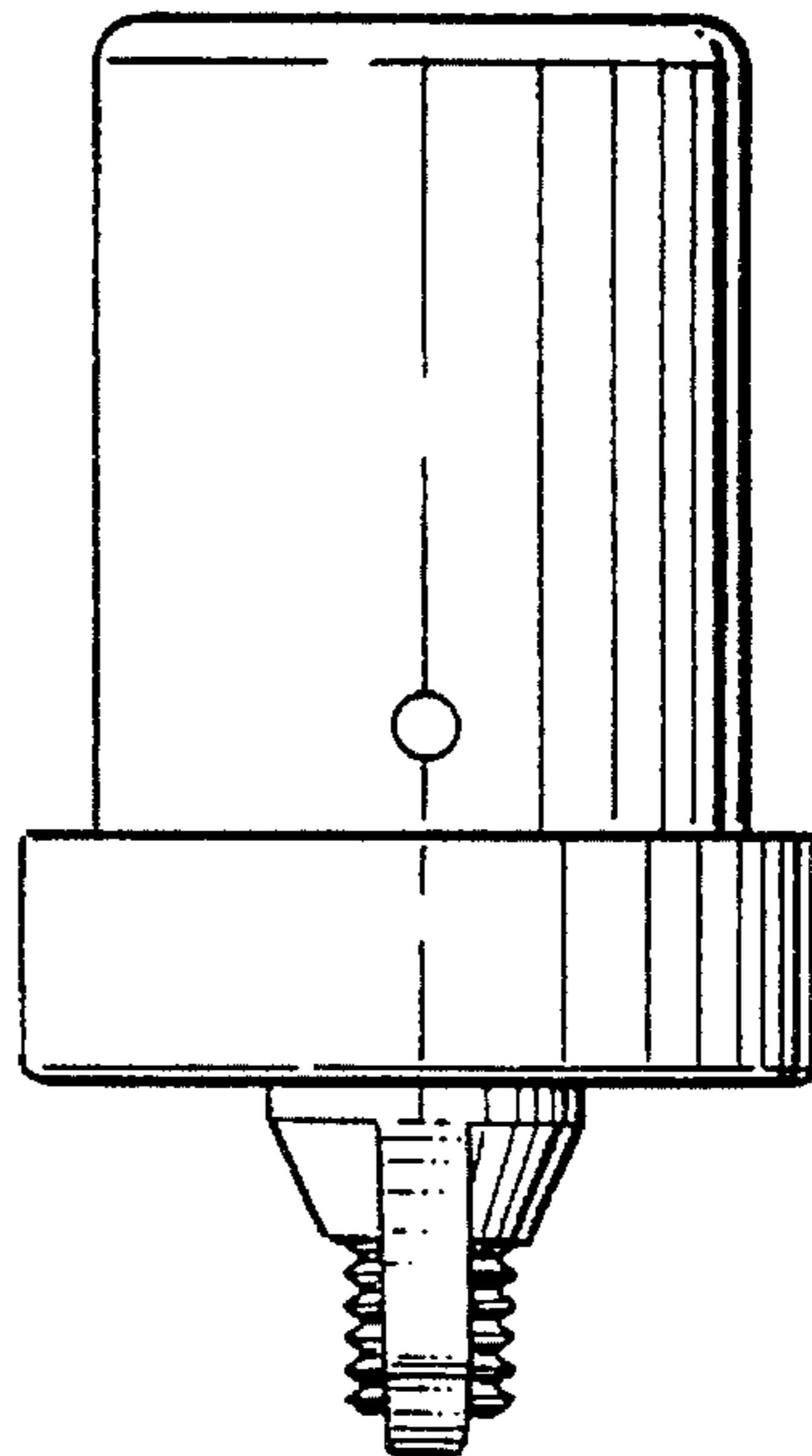


Fig. 4

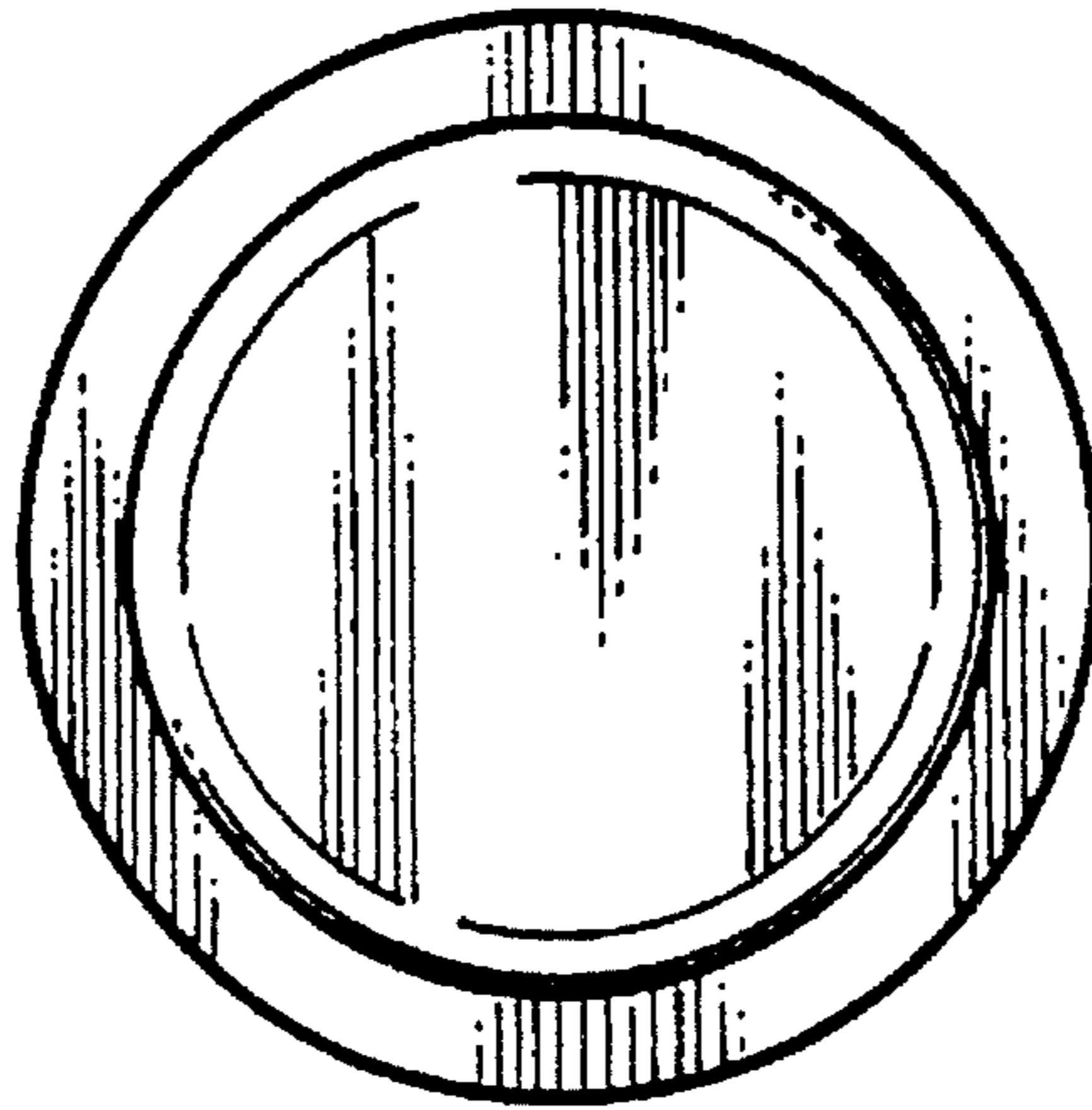


Fig. 5

