



US00D363136S

# United States Patent [19]

[11] Patent Number: **Des. 363,136**

**Oliver**

[45] Date of Patent: **\*\*Oct. 10, 1995**

[54] **WINDOW COMPONENT EXTRUSION**

4,740,405 4/1988 Tanaka et al. .... 49/DIG. 2

[75] Inventor: **Teresa A. Oliver**, Kent, Wash.

*Primary Examiner*—Doris Clark

[73] Assignee: **Mikron Industries**, Kent, Wash.

*Attorney, Agent, or Firm*—Seed and Berry

[\*\*] Term: **14 Years**

### [57] CLAIM

[21] Appl. No.: **30,314**

The ornamental design for a window component extrusion, as shown and described.

[22] Filed: **Oct. 26, 1994**

### DESCRIPTION

[52] U.S. Cl. .... **D25/124**

[58] Field of Search ..... D25/124, 52; 49/DIG. 2, 49/504, 505; 52/204.5, 204.56, 204.51, 204.1, 730.3

FIG. 1 is a top right perspective view of a window component extrusion showing my new design, the window component extrusion being of indefinite length; and,

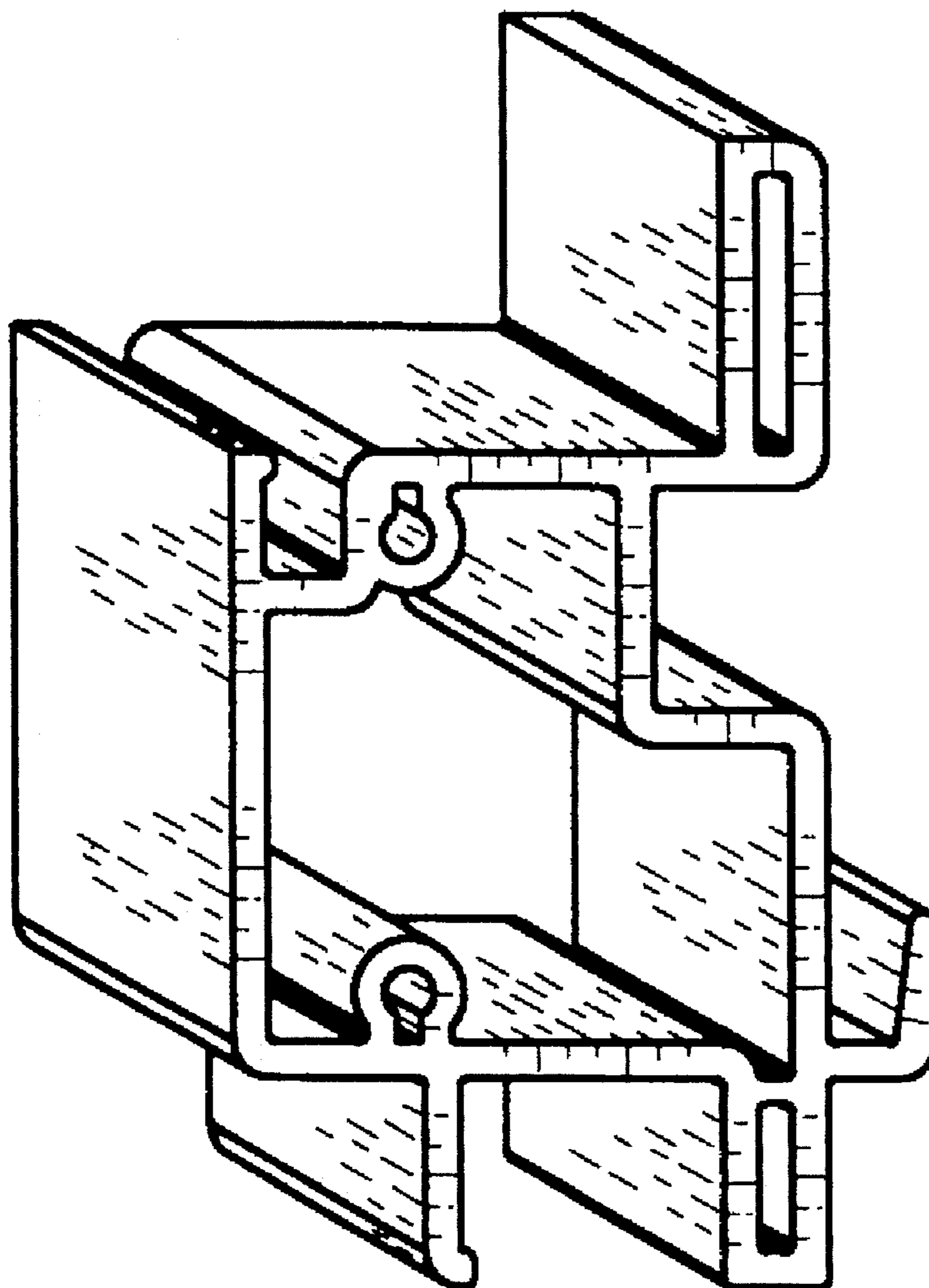
FIG. 2 is a bottom left perspective view thereof.

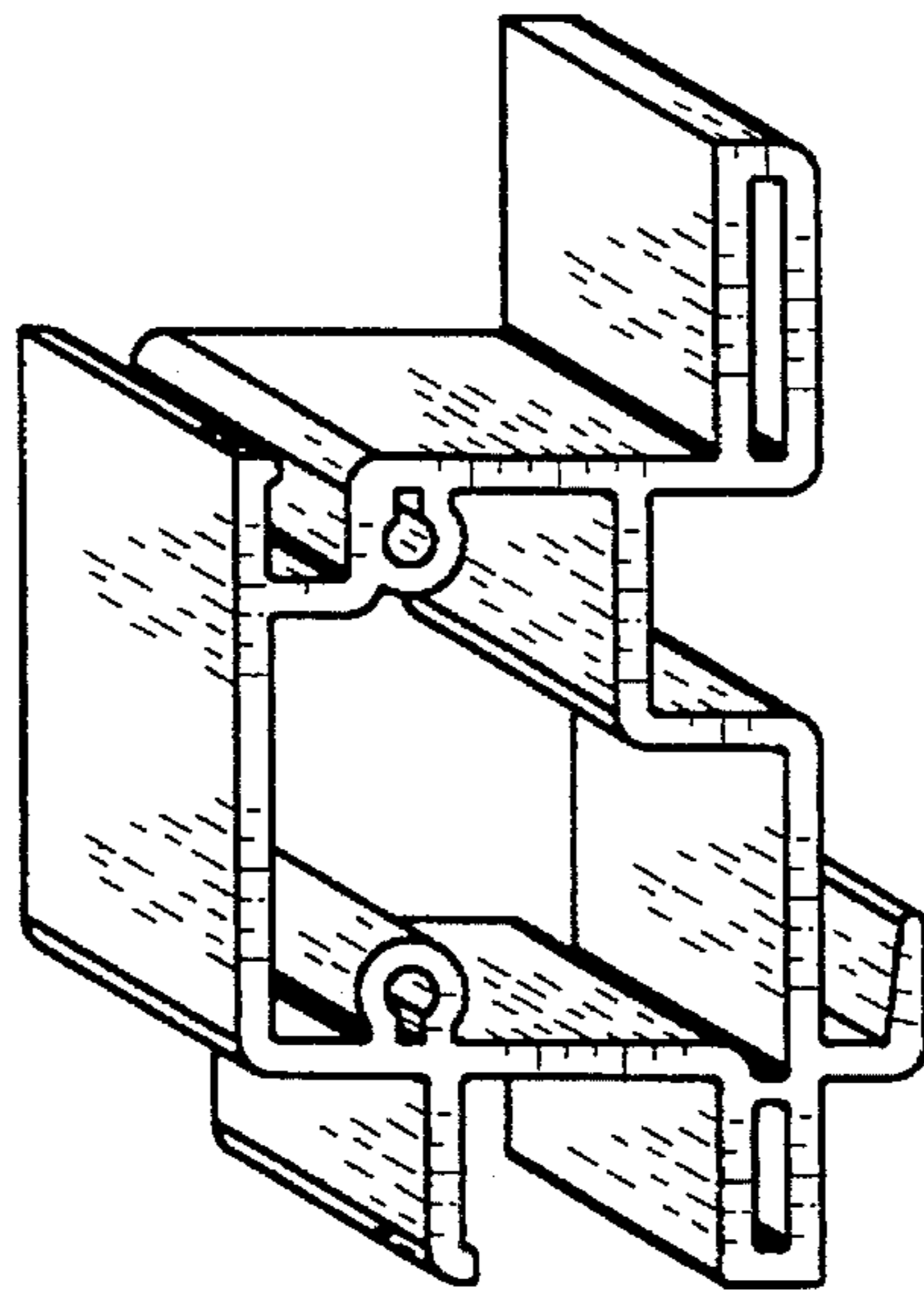
### [56] References Cited

#### U.S. PATENT DOCUMENTS

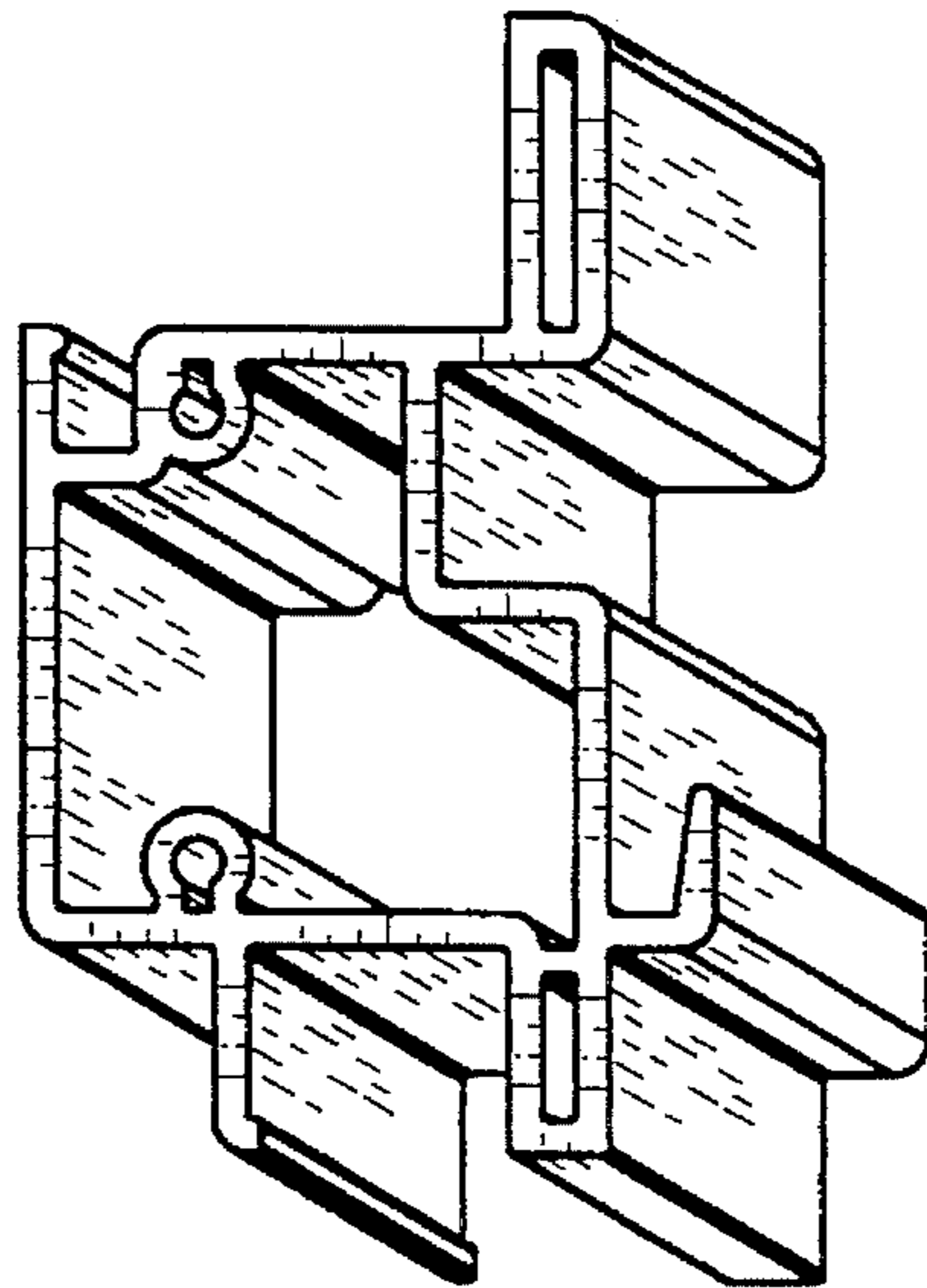
D. 338,722 8/1993 Cole ..... D25/124

**1 Claim, 1 Drawing Sheet**





*FIG. 1*



*FIG. 2*