



US00D363131S

# United States Patent [19]

[11] **Patent Number:** **Des. 363,131**

**Searer**

[45] **Date of Patent:** **\*\*Oct. 10, 1995**

[54] **GALLEY RAIL SPINDLE**

4,585,214 4/1986 Cope .

[75] Inventor: **Floyd A. Searer**, Elkhart, Ind.

*Primary Examiner*—Doris Clark  
*Attorney, Agent, or Firm*—Watson, Cole, Grindle & Watson

[73] Assignee: **Fas, Inc.**, Elkhart, Ind.

[\*\*] Term: **14 Years**

[57] **CLAIM**

The ornamental design for decorative galley rail spindle, as shown and described herein.

[21] Appl. No.: **30,071**

[22] Filed: **Oct. 18, 1994**

**DESCRIPTION**

[52] **U.S. Cl.** ..... **D25/38**

FIG. 1 is a front fragmentary elevational view of the galley rail spindle, showing my new design;

[58] **Field of Search** ..... D25/38-45, 126,  
D25/128, 131; 256/19, 21, 22, 24, 34, 41,  
50, 59, 66, 73, 47, 51, 65

FIG. 2 is a top fragmentary view of the galley rail spindle of FIG. 1;

FIG. 3 is a back fragmentary elevational view of the galley rail spindle of FIG. 1; and,

FIG. 4 is a side view of the galley rail spindle of FIG. 1.

The pattern of the galley rail spindle is constant throughout its width.

[56] **References Cited**

**U.S. PATENT DOCUMENTS**

D. 39,518	9/1908	Singler	.....	D25/44
D. 304,325	10/1989	Manzo	.....	D25/38
3,955,799	5/1976	Lauzier	.....	256/21
4,505,456	3/1985	Zieg .		

**1 Claim, 1 Drawing Sheet**

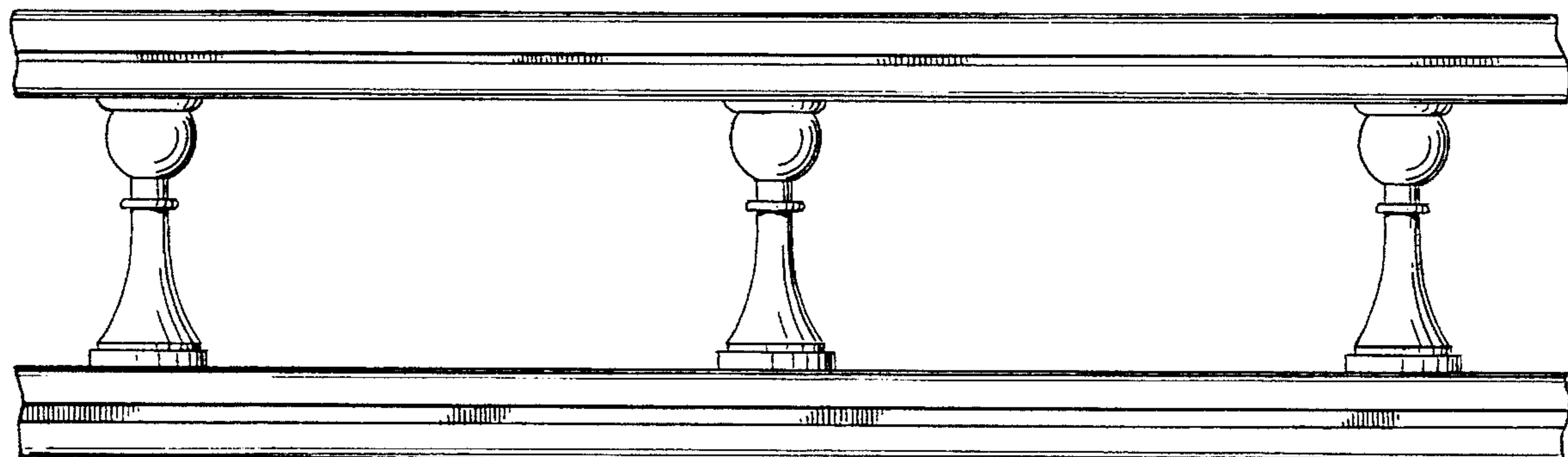


FIG. 4

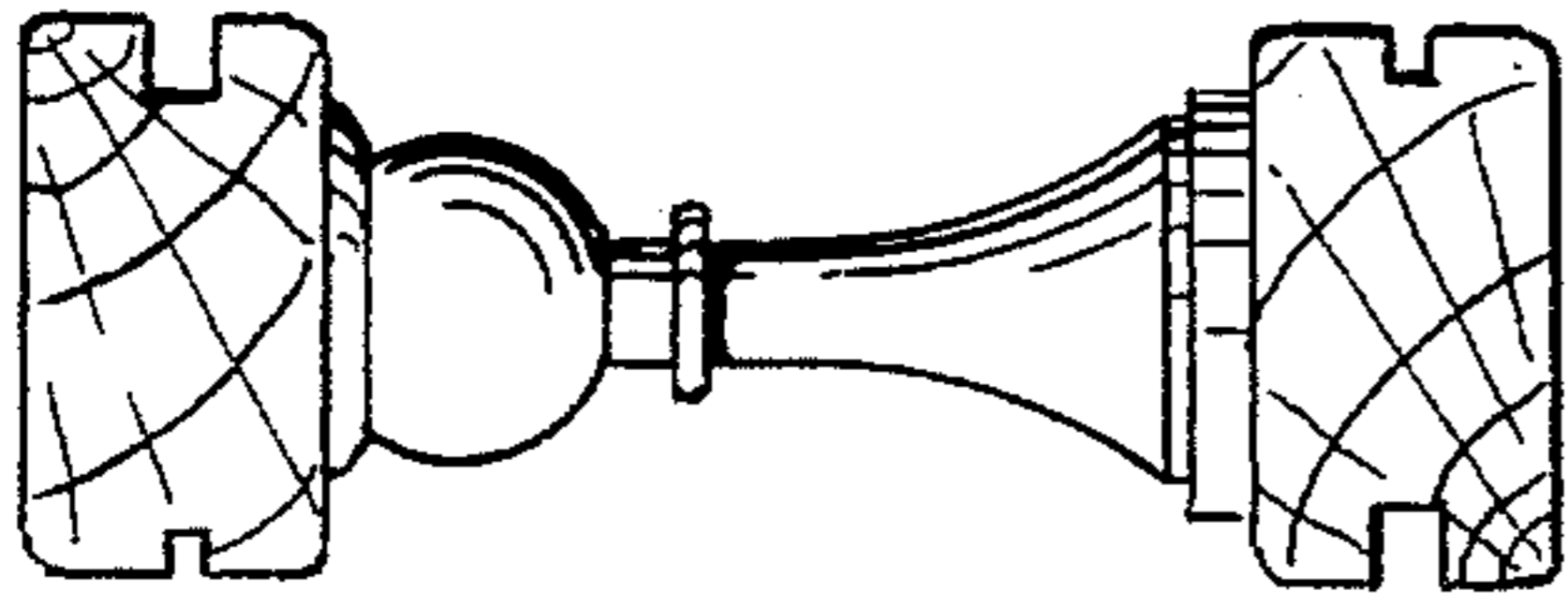


FIG. 1

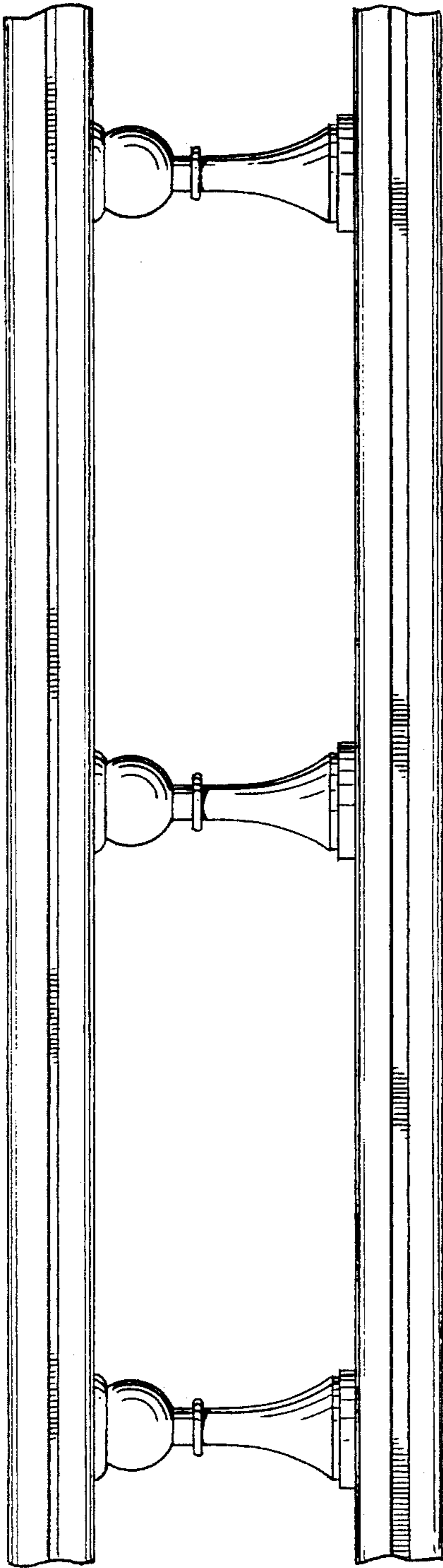


FIG. 2

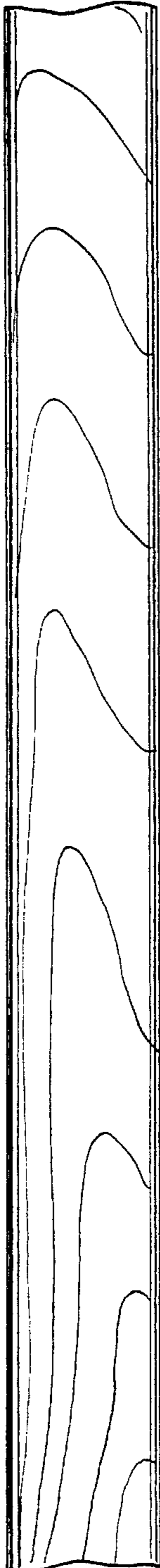


FIG. 3

