



US00D363121S

United States Patent [19]

[11] **Patent Number:** **Des. 363,121**

O'Neal et al.

[45] **Date of Patent:** ****Oct. 10, 1995**

[54] **SURGICAL RETRACTOR**

| | | | |
|-----------|--------|-----------------|--------|
| 1,963,173 | 6/1934 | Morin | 128/20 |
| 3,227,156 | 1/1966 | Gauthier | 128/20 |
| 4,190,042 | 2/1980 | Sinnreich | 128/20 |

[75] Inventors: **Darrell D. O'Neal; Robert J. Schiess, III**, both of Atlanta, Ga.

Primary Examiner—Louis S. Zarfaz
Assistant Examiner—I. Simmons
Attorney, Agent, or Firm—Bernstein & Associates

[73] Assignee: **Chimera, Inc.**, Atlanta, Ga.

[**] Term: **14 Years**

[57] **CLAIM**

[21] Appl. No.: **32,710**

The ornamental design for a surgical retractor, as shown and described.

[22] Filed: **Dec. 27, 1994**

DESCRIPTION

Related U.S. Application Data

FIG. 1 is a perspective view of a surgical retractor of the present invention;
FIG. 2 is a front plan view of the surgical retractor;
FIG. 3 is a rear side elevation view of the surgical retractor;
FIG. 4 is a top side elevation view of the surgical retractor;
FIG. 5 is a right side elevation view of the surgical retractor; and,
FIG. 6 is a bottom side elevation view of the surgical retractor.

[62] Division of Ser. No. 9,100, Jun. 4, 1993, Pat. No. Des. 353,887.

[52] **U.S. Cl.** **D24/135**

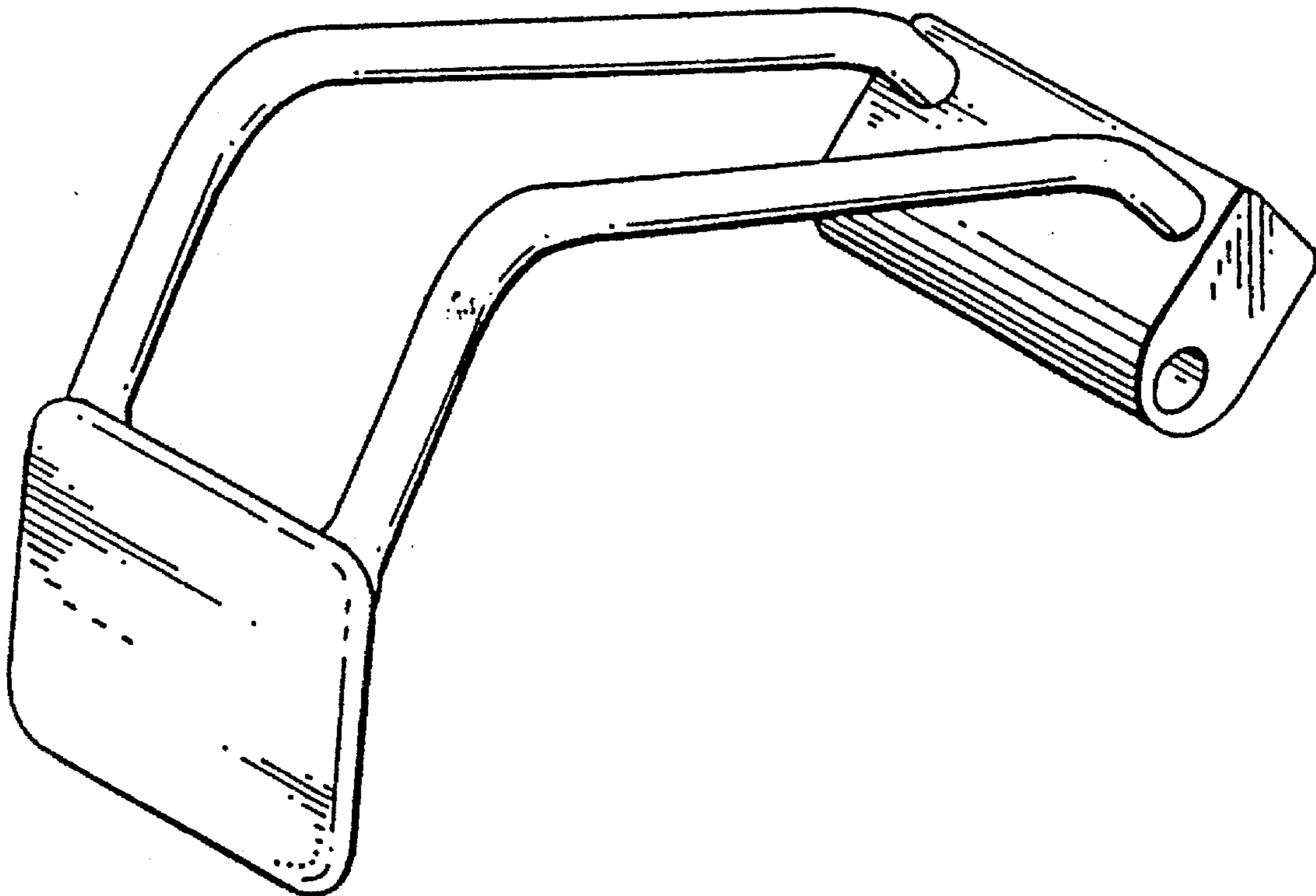
[58] **Field of Search** D24/135; 128/20, 128/19

[56] **References Cited**

U.S. PATENT DOCUMENTS

| | | | |
|------------|--------|--------------|---------|
| D. 343,235 | 1/1994 | LeVahn | D24/135 |
| 1,706,500 | 3/1929 | Smith | 128/20 |

1 Claim, 2 Drawing Sheets



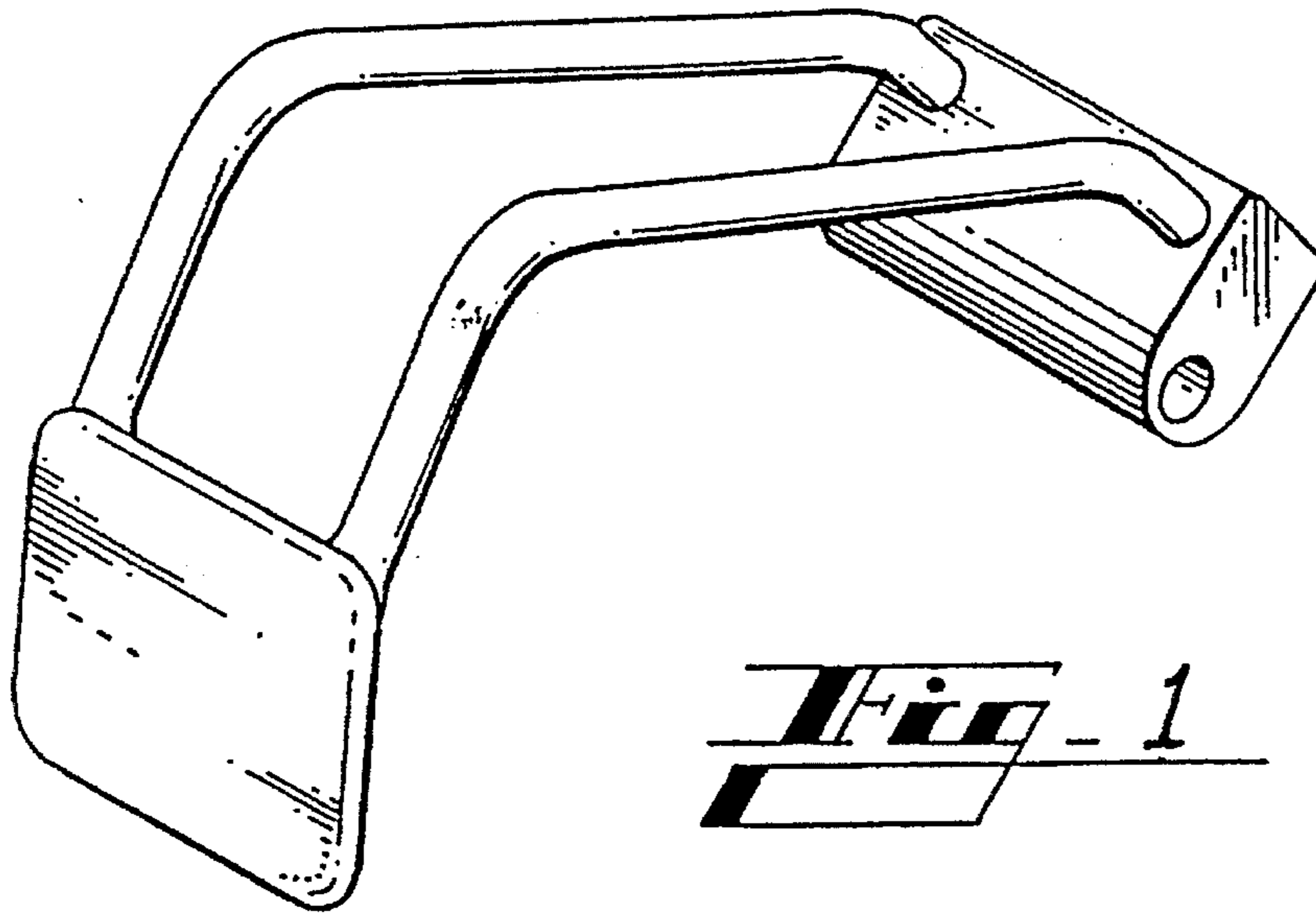


Fig. 1

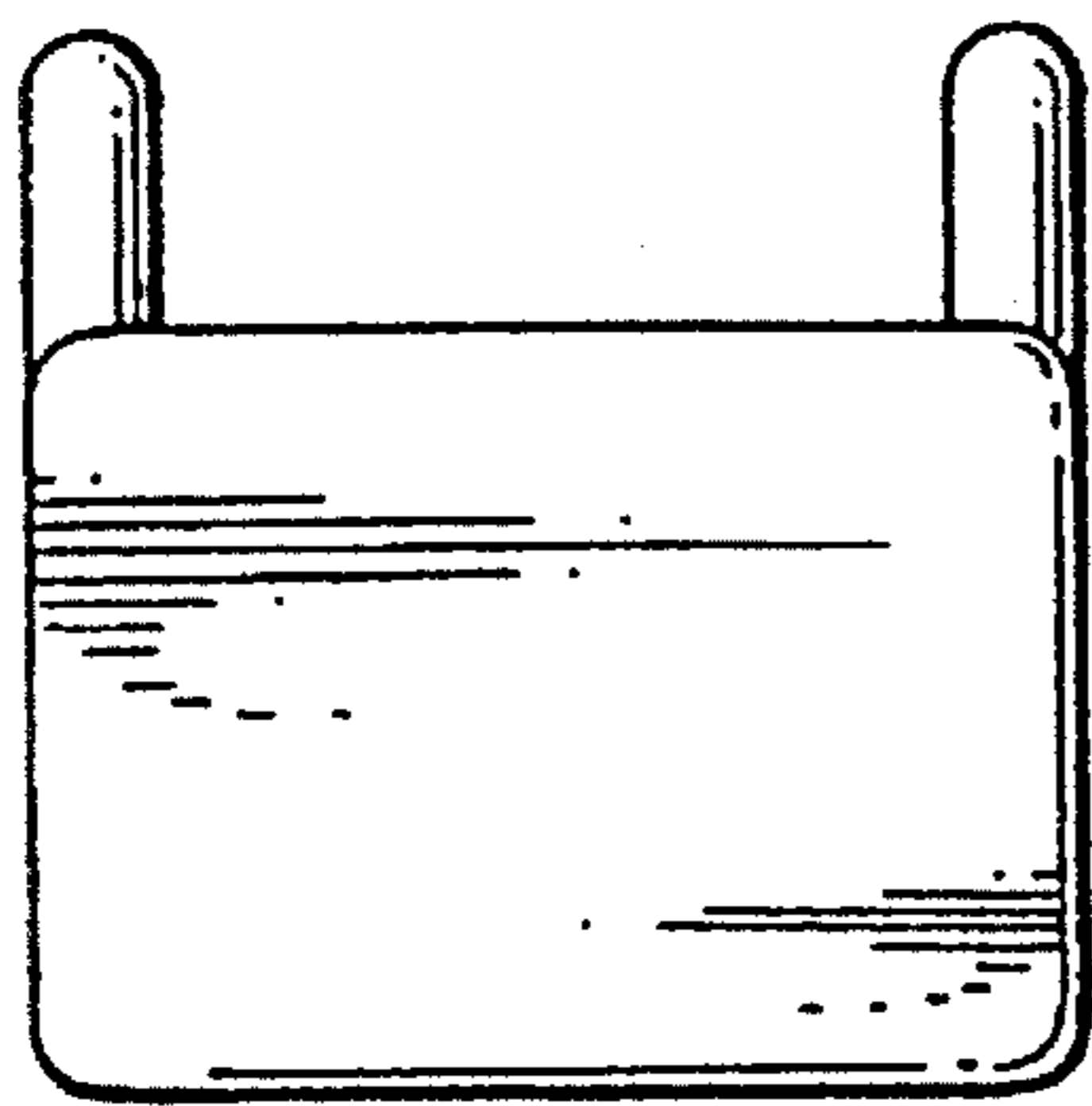


Fig. 2

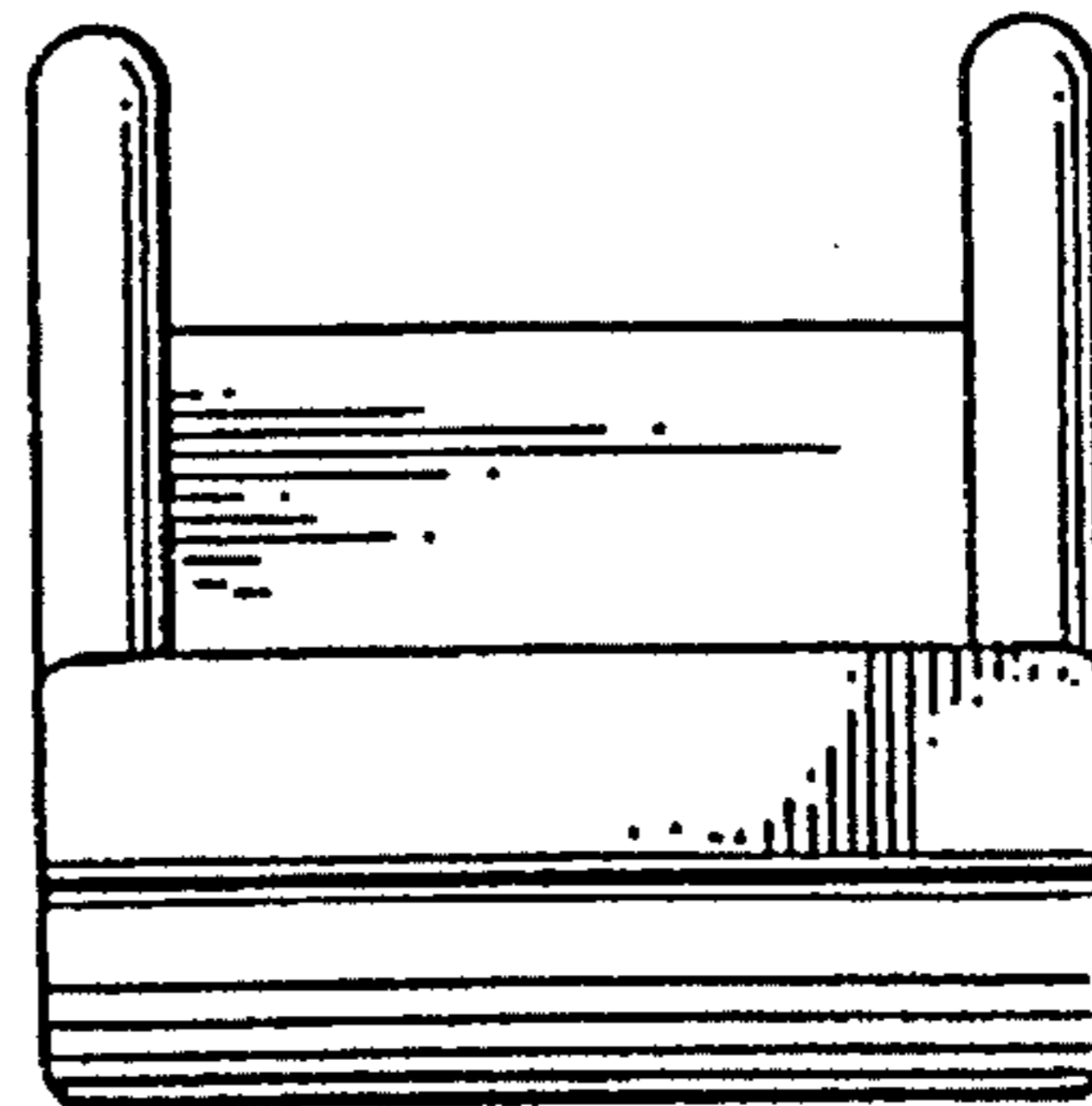


Fig. 3

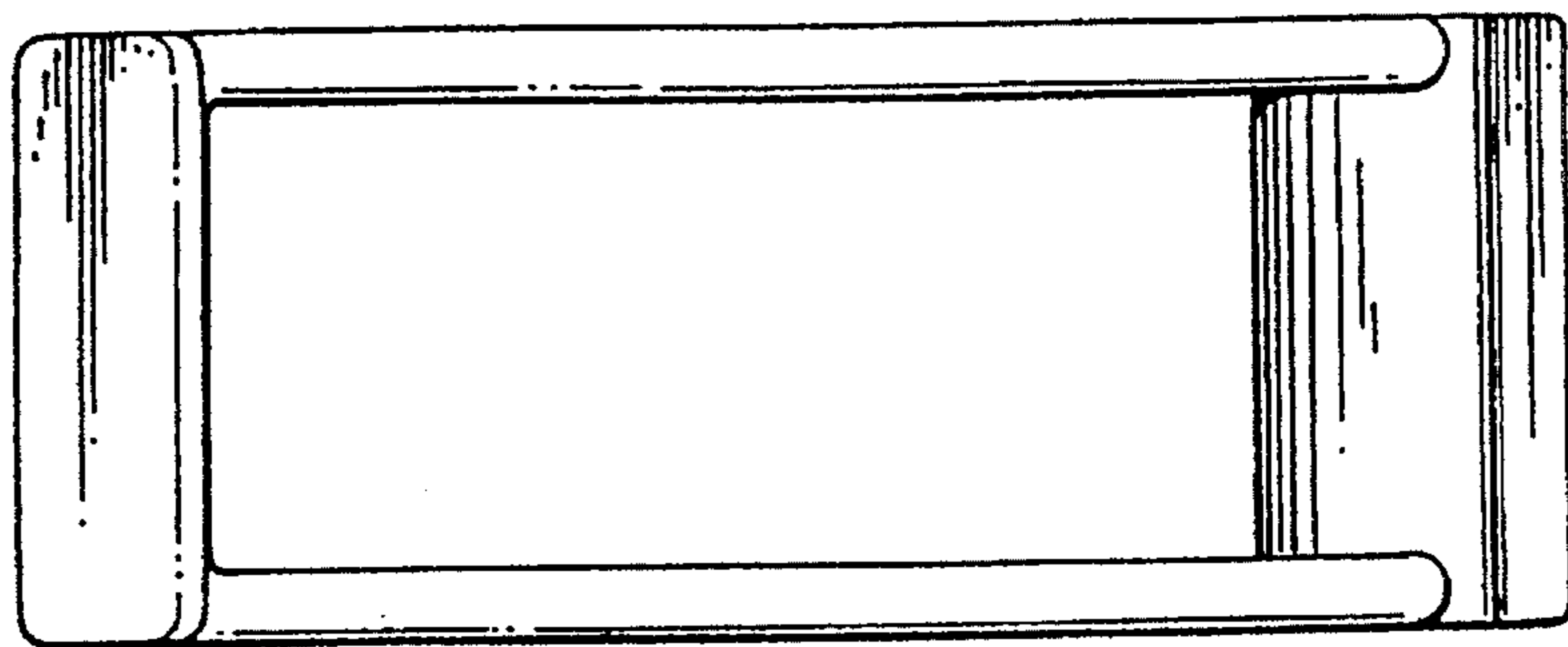


Fig. 4

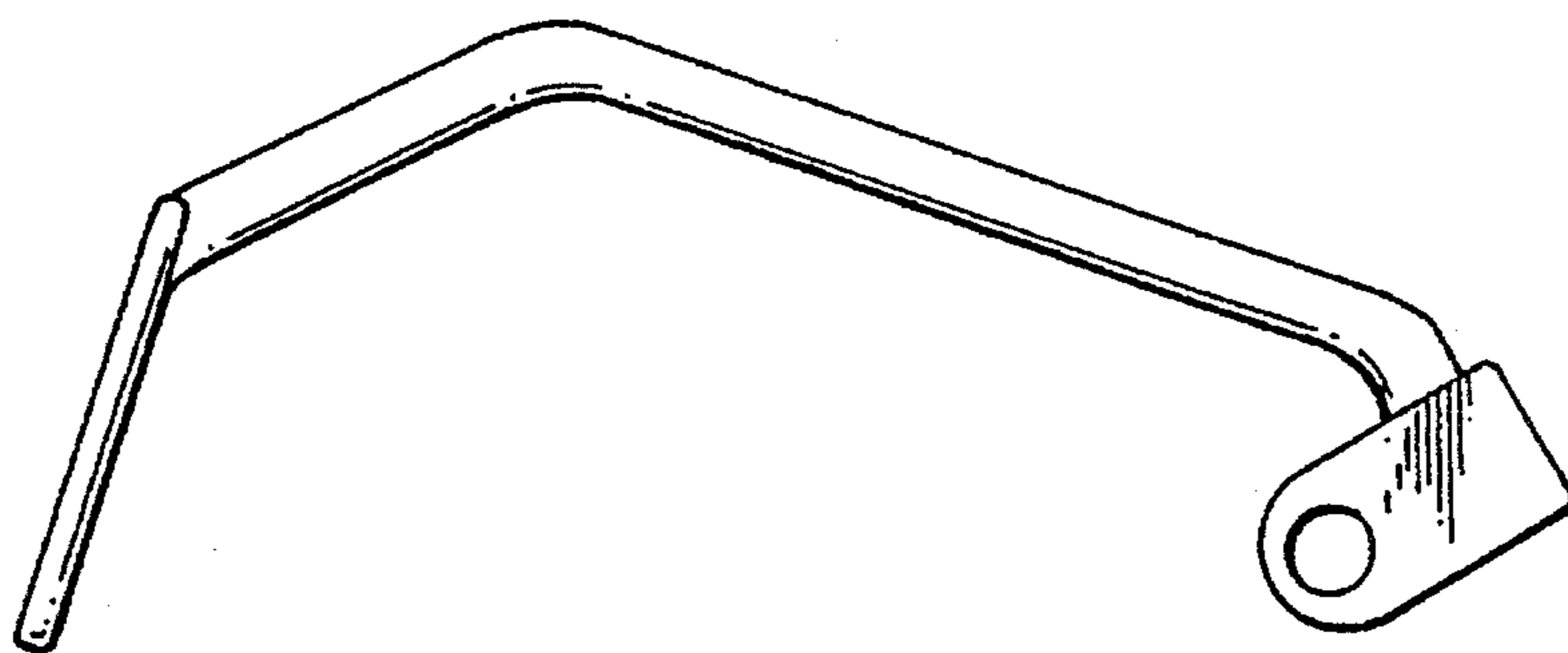


Fig. 5

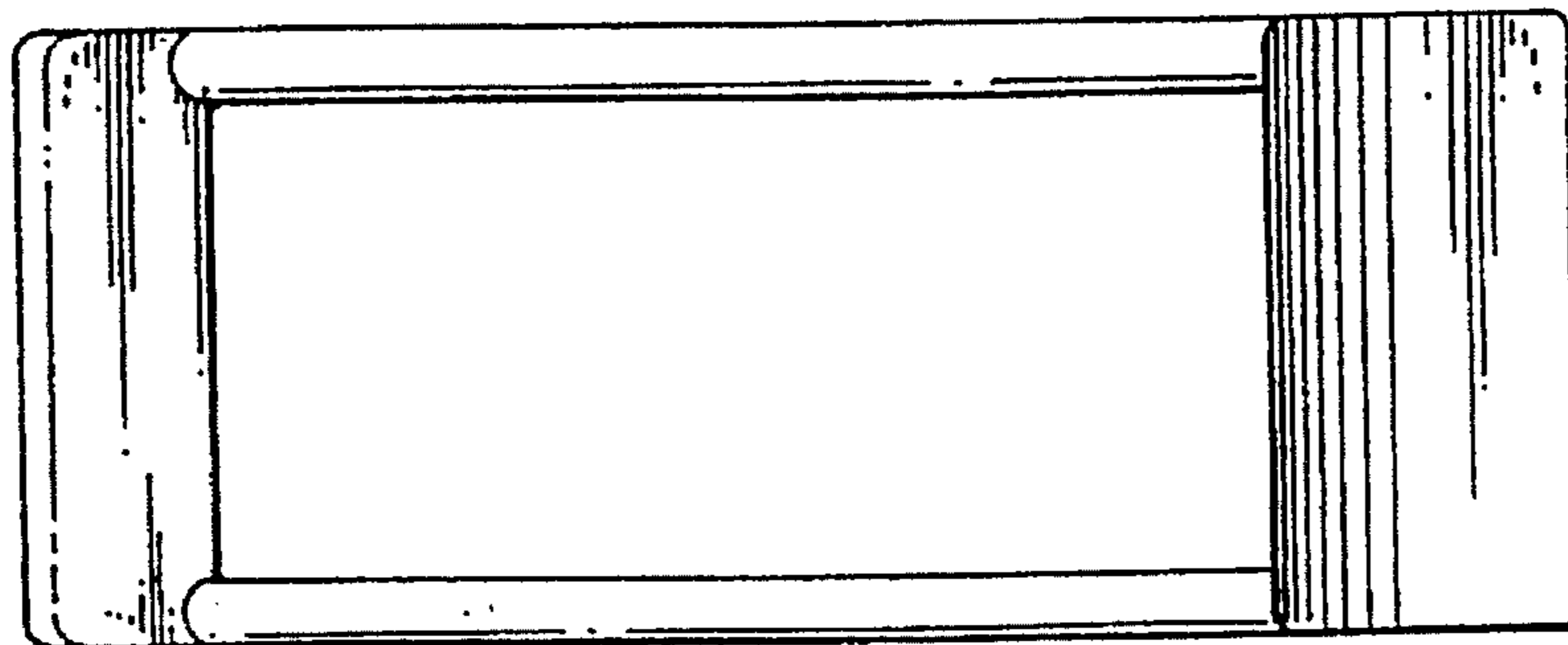


Fig. 6