



US00D363117S

United States Patent [19]

[11] Patent Number: **Des. 363,117**

Swartzendruber

[45] Date of Patent: ****Oct. 10, 1995**

[54] **MOTOR MOUNTING FOR A FAN ASSEMBLY**

[75] Inventor: **Ray E. Swartzendruber**, Syracuse, Ind.

[73] Assignee: **CTB Inc.**, Milford, Ind.

[**] Term: **14 Years**

[21] Appl. No.: **15,911**

[22] Filed: **Dec. 1, 1993**

[52] U.S. Cl. **D23/411**

[58] Field of Search D23/370, 335,
D23/411; 248/604; 417/360, 423.15

[56] **References Cited**

U.S. PATENT DOCUMENTS

4,171,937 10/1979 Greenfield 417/423.15

FOREIGN PATENT DOCUMENTS

1454610 1/1969 Germany 417/423.15

OTHER PUBLICATIONS

Brochure entitled "36" and 48" Grower Fans," Aerotech, Inc., Jan., 1993.

Brochure entitled "Controlled Environment Systems for Farm Buildings—Type NBF Fans," American Coolair Corporation, Mar., 1992.

Brochure entitled "Controlled Environment Systems for Farm Buildings: Farm Building Ventilation—Type NCF

Fans," American Coolair Corporation, Nov., 1992.

Brochure entitled "Assembly Instructions and Parts Manual: Vertical Belt-Drive Fans—Models 3C145 through 3C151A," Dayton Electric Manufacturing Co. (undated) Applicant believes these Fans were in Public Domain 1 Yr. Prior to Dec. 1993.

Brochure entitled "Create Profits Through Proper Ventilation," Hired-Hand Inc. (undated), Applicant Believes these Fans were in Public Domain 1 yr. Prior to Dec. 1993.

Primary Examiner—Lisa P. Lichtenstein

Attorney, Agent, or Firm—Harness, Dickey & Pierce

[57] **CLAIM**

The ornamental design for a motor mounting for a fan assembly, as shown and described.

DESCRIPTION

FIG. 1 is a front elevational view of a motor mounting for a fan assembly, showing my new design;

FIG. 2 is a front elevational view thereof, on a reduced scale;

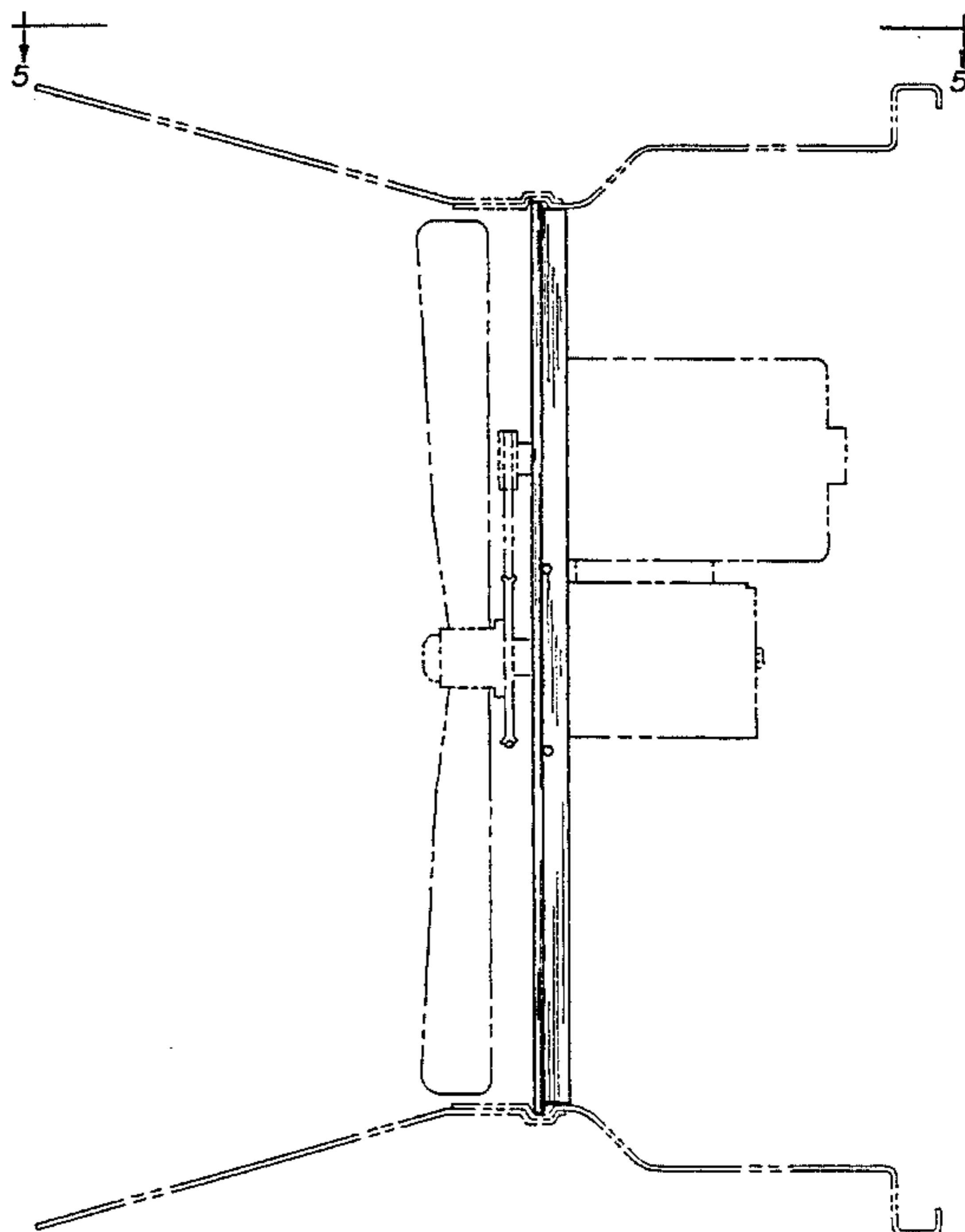
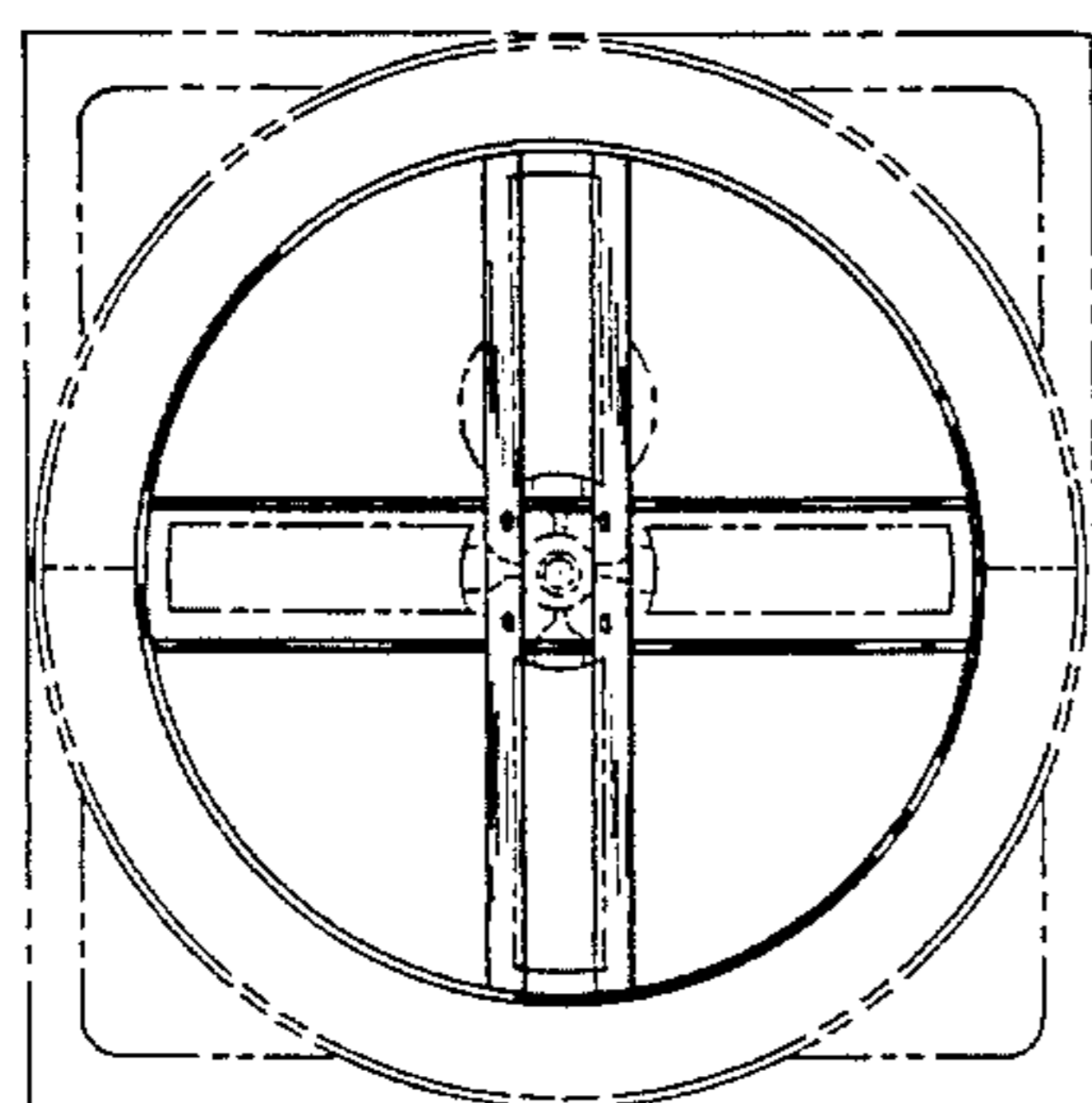
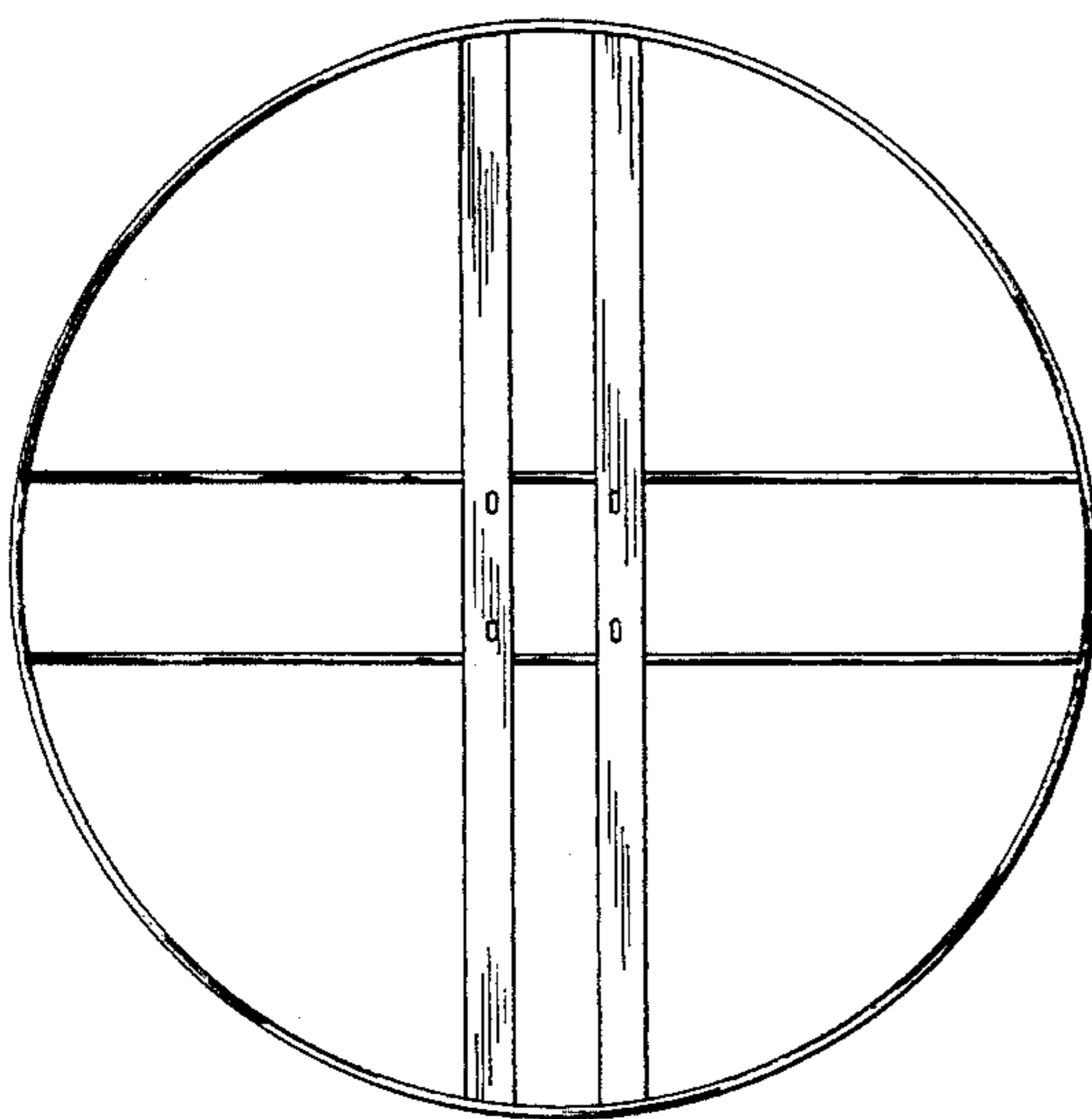
FIG. 3 is a rear elevational view thereof, on a reduced scale;

FIG. 4 is a side elevational view thereof, the opposite side being a mirror image thereof; and,

FIG. 5 is a side elevational view thereof taken along lines 5—5 in FIG. 4.

The broken-line showing of a fan housing in FIGS. 2–5 is for illustrative purposes only and forms no part of the claimed design.

1 Claim, 4 Drawing Sheets



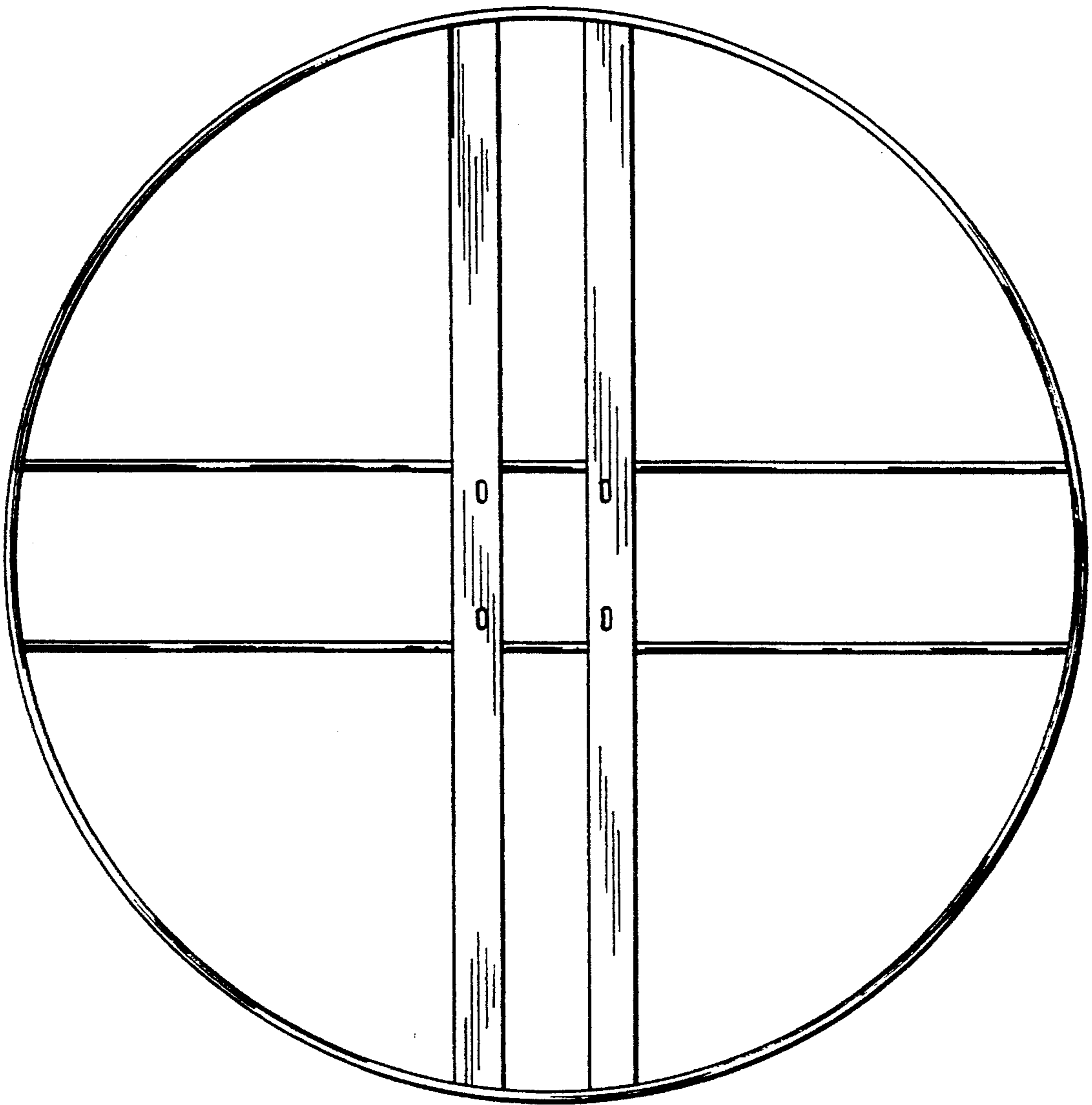


FIG. 1.

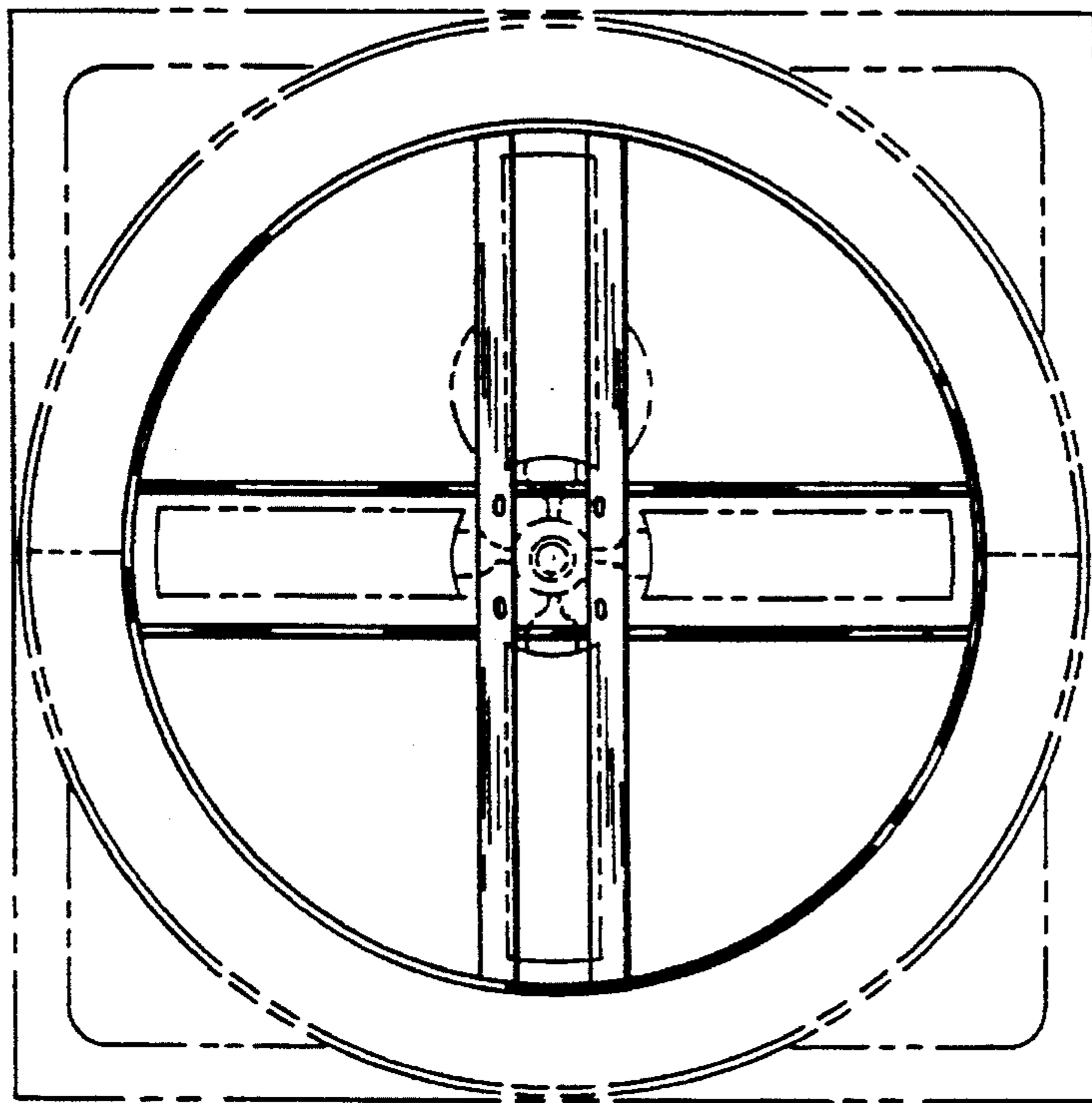


FIG. 2.

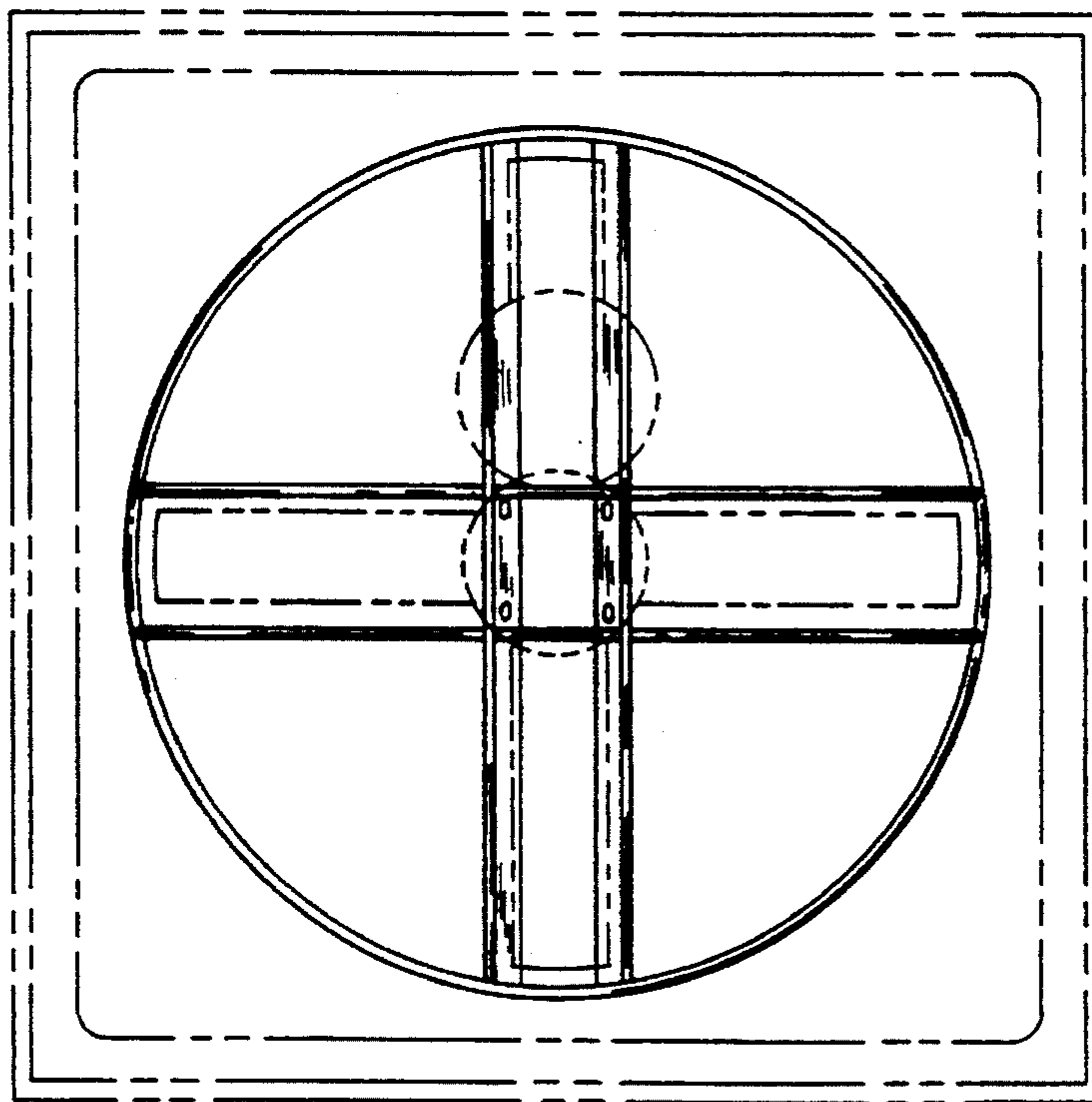


FIG. 3.

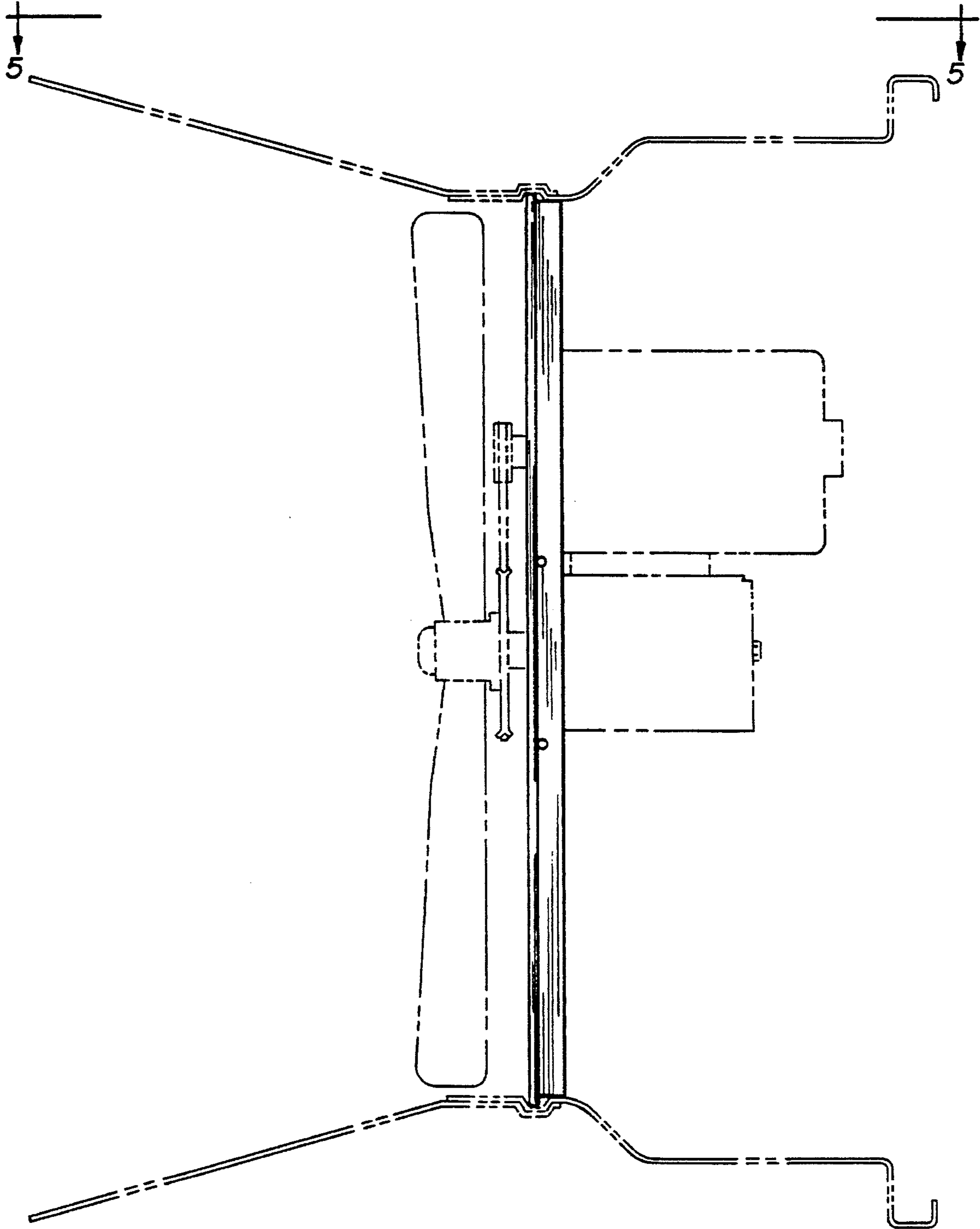


FIG. 4.

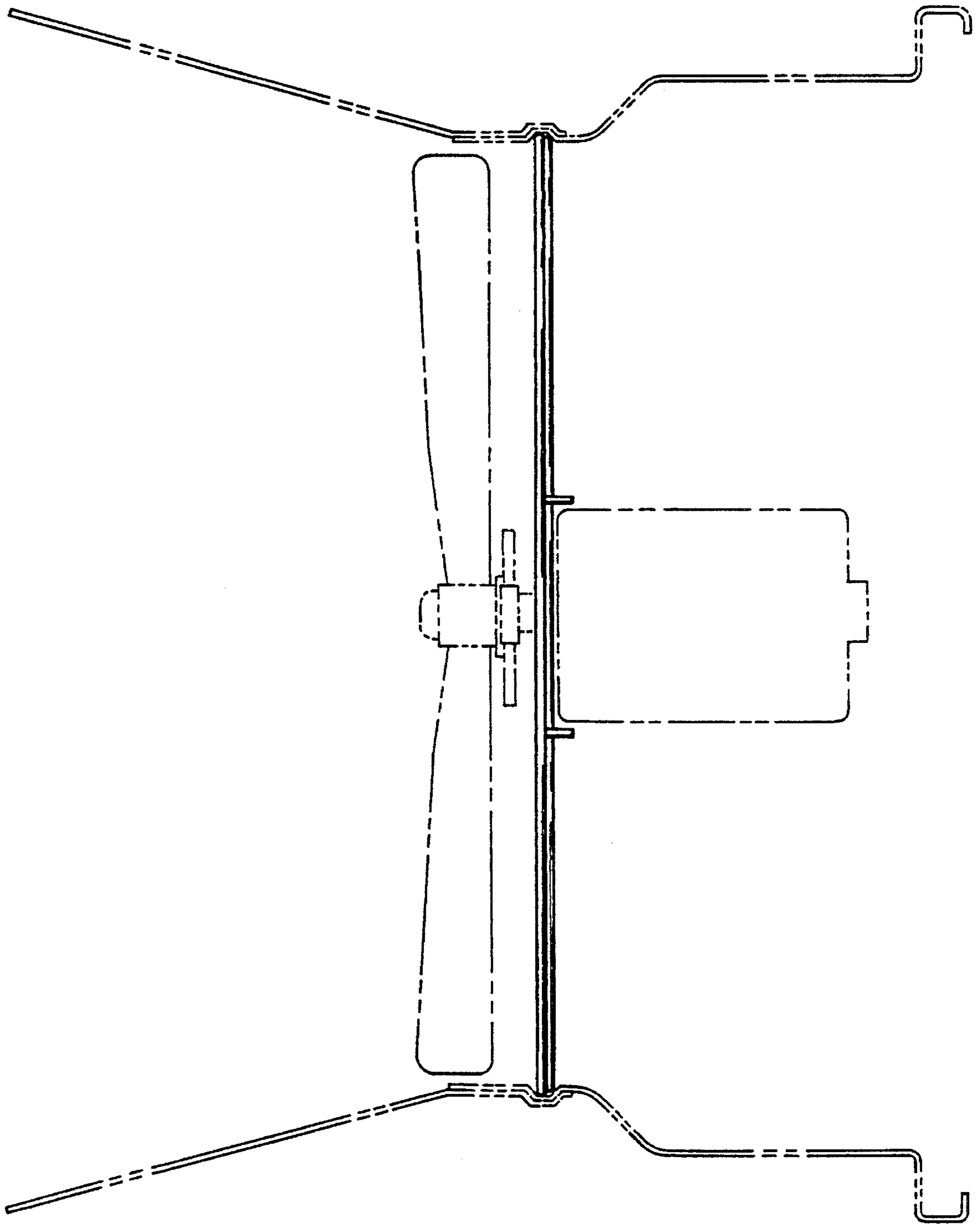


FIG. 5.

UNITED STATES PATENT AND TRADEMARK OFFICE
CERTIFICATE OF CORRECTION

PATENT NO. : Des. 363,117
DATED : October 10, 1995
INVENTOR(S) : Ray E. Swartzendruber

It is certified that error appears in the above-identified patent and that said Letters Patent is hereby corrected as shown below:

ON THE TITLE PAGE, under Attorney, Agent or Firm after "Pierce" insert
--, P.L.C.--.

Signed and Sealed this
Twenty-ninth Day of December, 1998

Attest:



BRUCE LEHMAN

Attesting Officer

Commissioner of Patents and Trademarks