



US00D363115S

United States Patent [19]

[11] **Patent Number: Des. 363,115**

Lennartsson

[45] **Date of Patent: **Oct. 10, 1995**

[54] **COMPONENT PART OF A T-PIECE**

[75] Inventor: **Kenneth Lennartsson**, Torekov, Sweden

[73] Assignee: **Lindab AB**, Bastad, Sweden

[**] Term: **14 Years**

[21] Appl. No.: **14,338**

[22] Filed: **Oct. 19, 1993**

[30] **Foreign Application Priority Data**

Apr. 20, 1993 [SE] Sweden 930945

[52] **U.S. Cl.** **D23/263**

[58] **Field of Search** D23/259, 260, D23/262, 263; 285/197, 198, 199, 156

[56] **References Cited**

U.S. PATENT DOCUMENTS

1,484,469	2/1924	Brucebrie	285/197 X
1,570,887	1/1926	Graves	285/197 X
1,908,821	5/1933	Cornell, Jr.	285/197

OTHER PUBLICATIONS

"Ducts and Fittings", p. 30, Lindab AB, 1987.
Ducts and Fittings Catalog, by Lindab AB, Distributed in 1987, p. #2.

Primary Examiner—Lou Zarfas
Assistant Examiner—E. Watterson
Attorney, Agent, or Firm—Weingarten, Schurgin, Gagnebin & Hayes

[57] **CLAIM**

The ornamental design for a component part of a T-piece, as shown and described.

DESCRIPTION

FIG. 1 is a perspective view of a component part of a T-piece, showing my new design, as seen obliquely from above;

FIG. 2 is a perspective view of the component part, as seen obliquely from below;

FIG. 3 is an end elevation of the component part applicable to both ends; and,

FIG. 4 is a side elevation of the component part applicable to both sides.

1 Claim, 3 Drawing Sheets

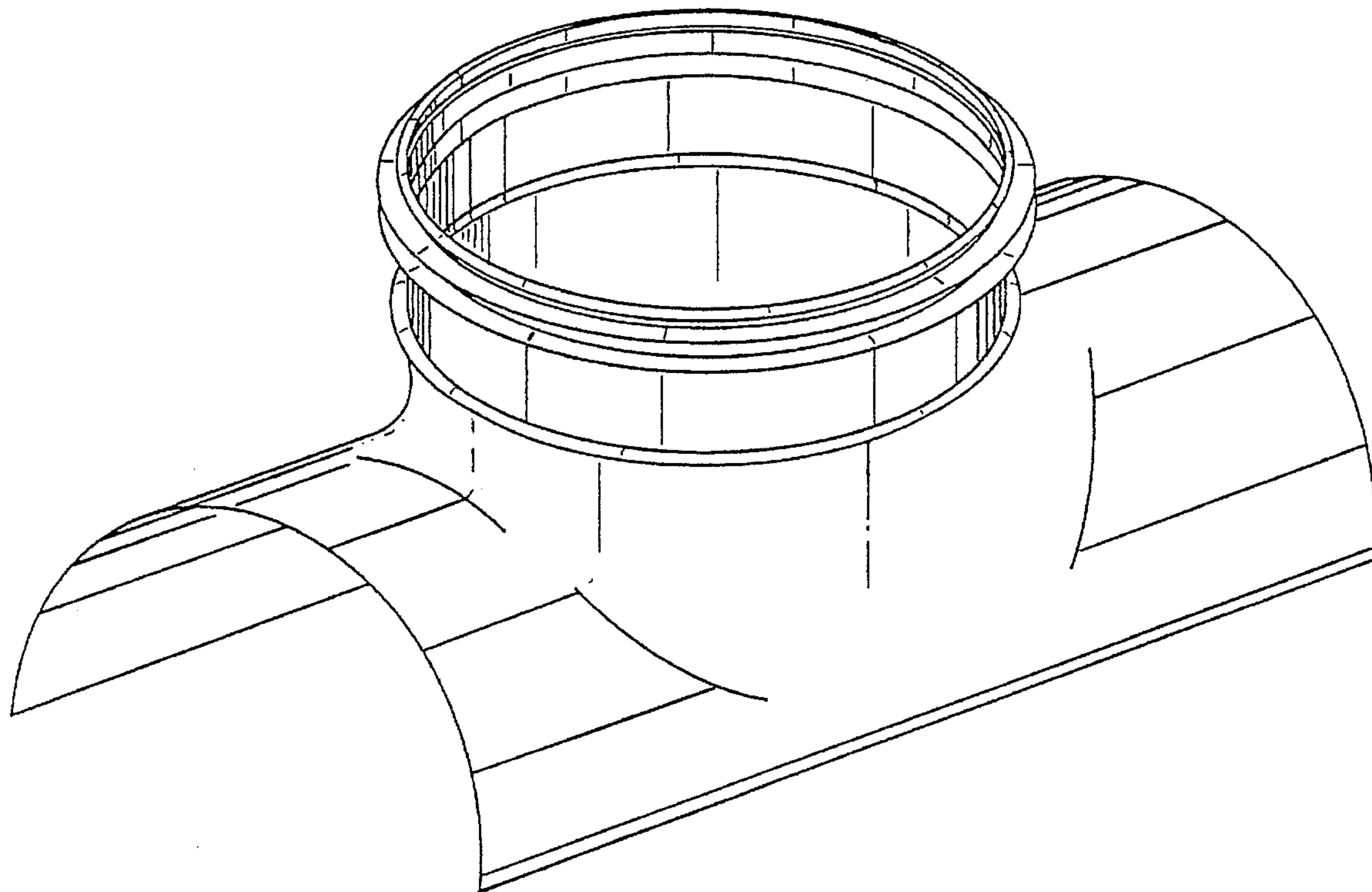


FIG. 1

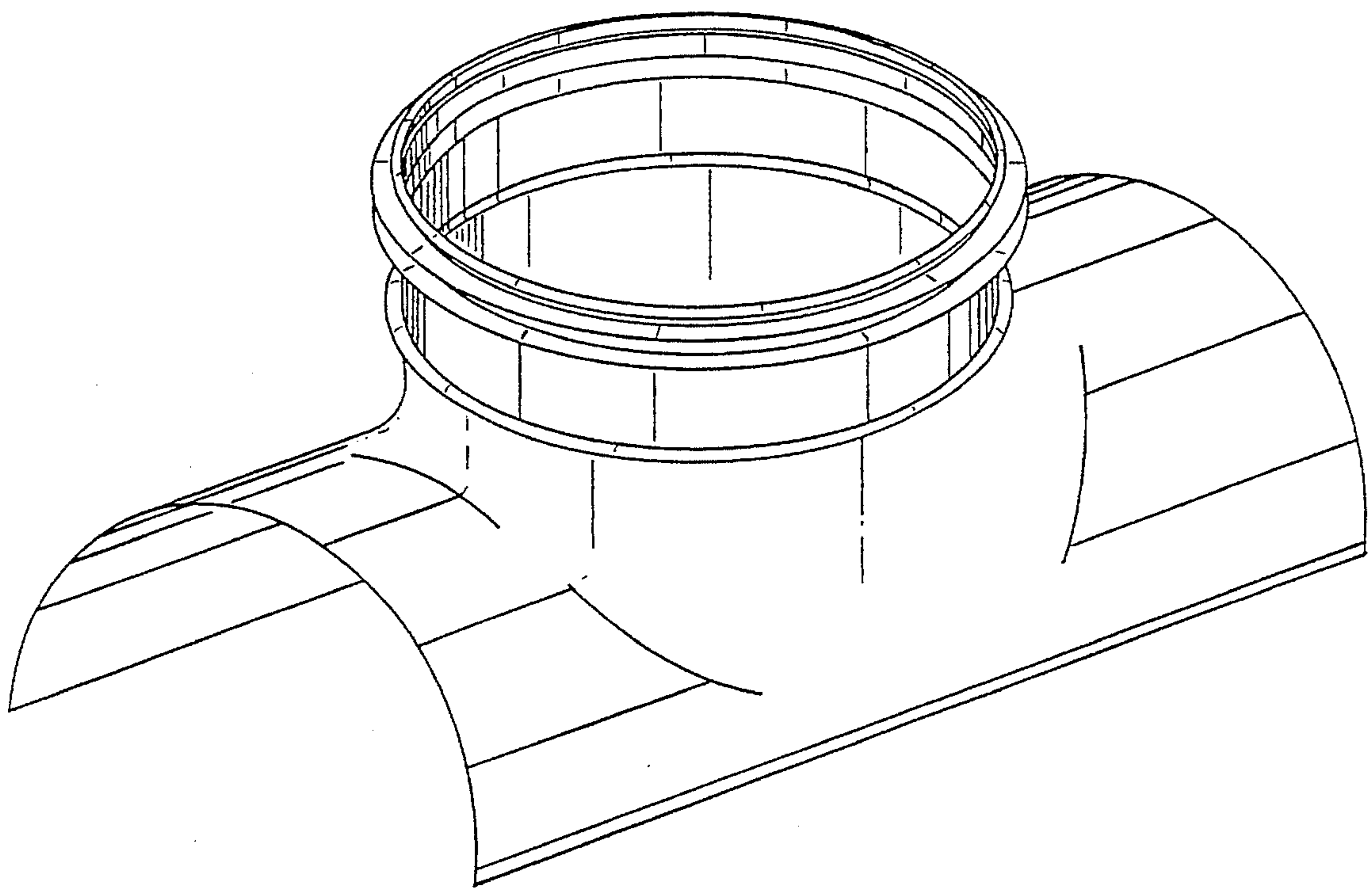


FIG. 2

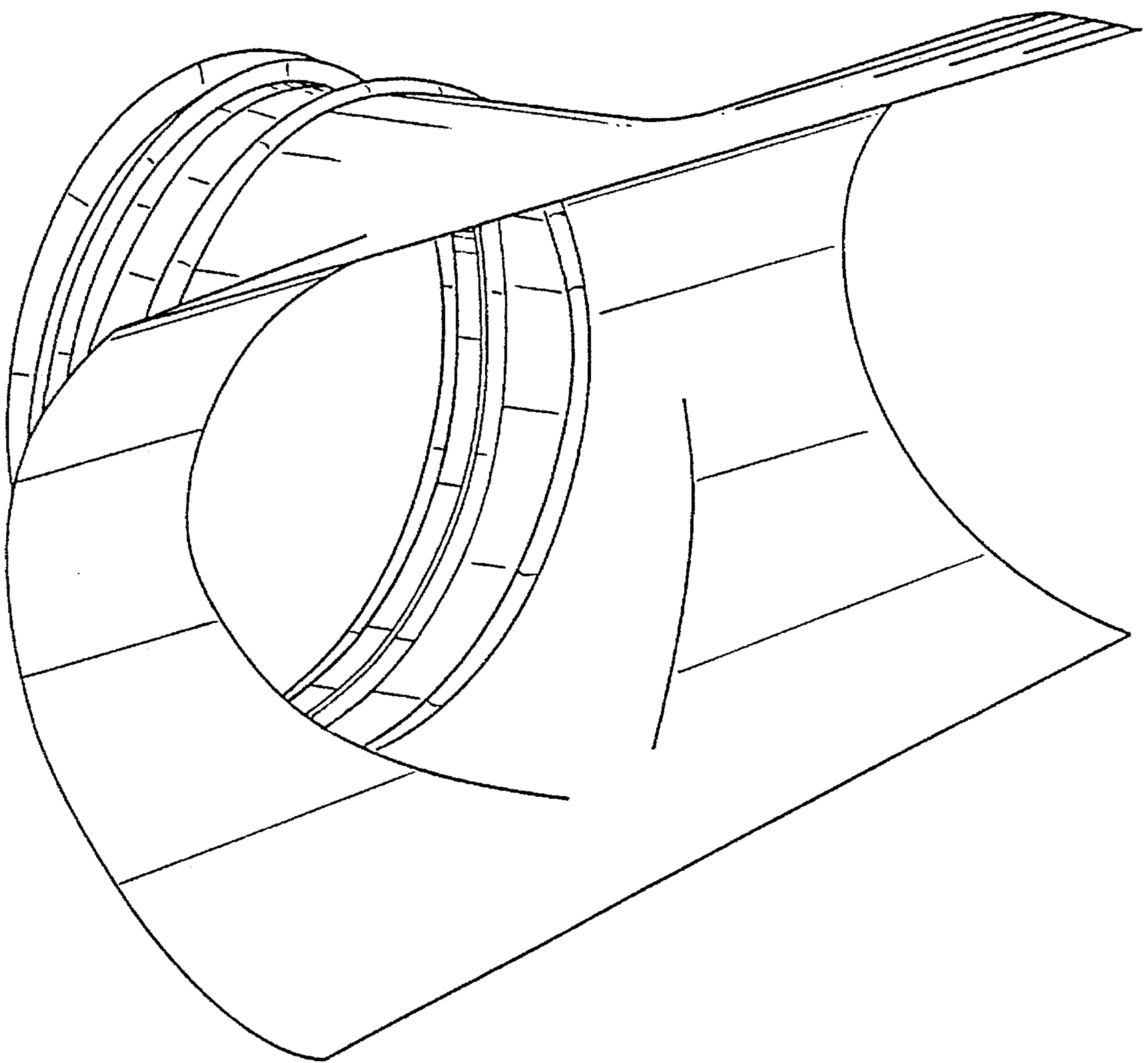


FIG.3

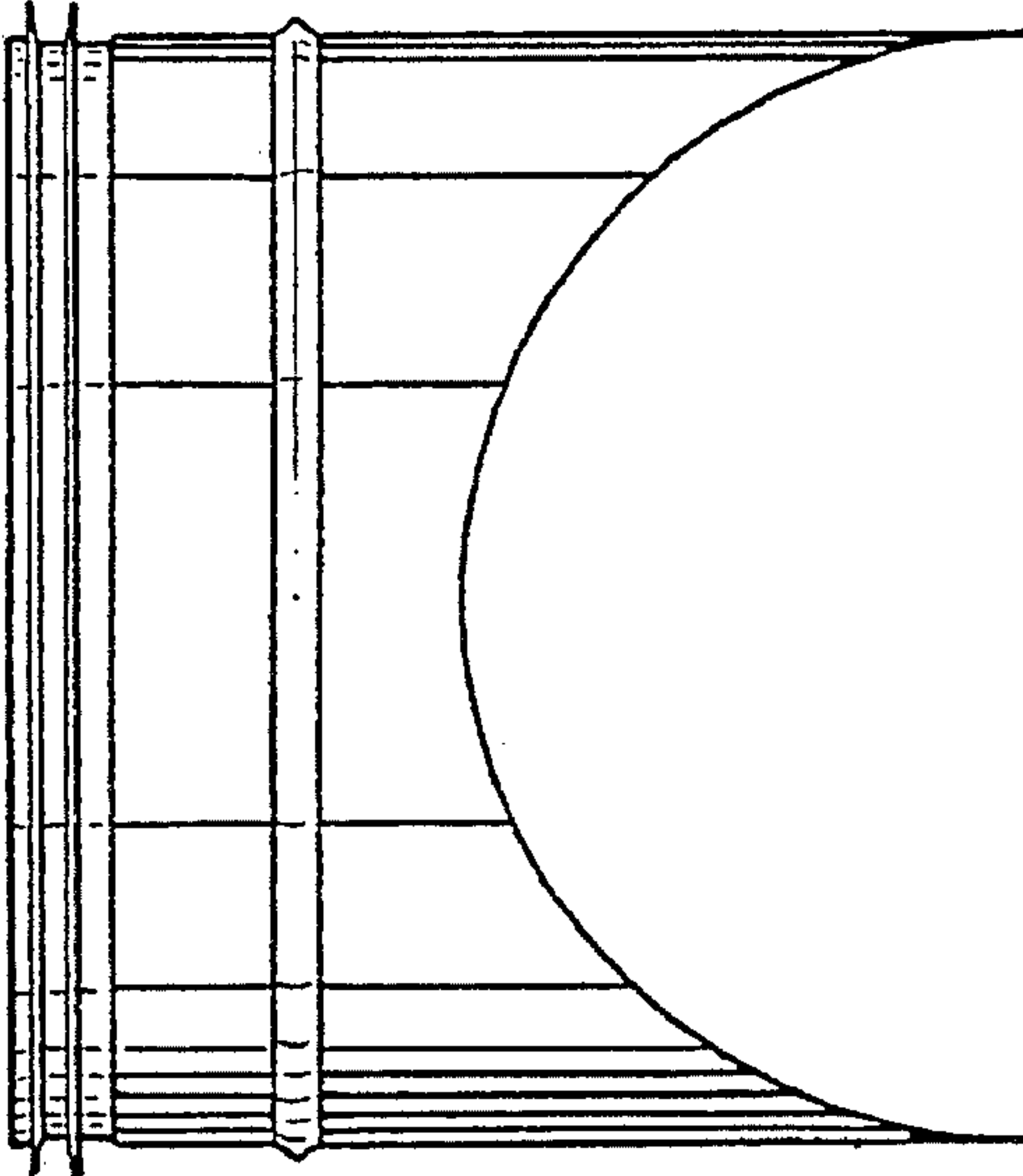


FIG.4

