



US00D363108S

United States Patent [19]

[11] Patent Number: **Des. 363,108**

Johnson

[45] Date of Patent: ***** Oct. 10, 1995**

[54] **BROADHEAD WITH EXPANDABLE BLADES**

[76] Inventor: **Gregory G. Johnson**, 3928 46th Ave. South, Minneapolis, Minn. 55406

[*] Notice: The portion of the term of this patent subsequent to Dec. 14, 2007 has been disclaimed.

[**] Term: **14 Years**

[21] Appl. No.: **13,851**

[22] Filed: **Oct. 4, 1993**

Related U.S. Application Data

[63] Continuation-in-part of Ser. No. 725,273, Jul. 3, 1991, Pat. No. Des. 342,303.

[52] U.S. Cl. **D22/115**

[58] Field of Search D22/115; 273/416, 273/418, 419, 420, 421, 422

[56] References Cited

U.S. PATENT DOCUMENTS

D. 342,303	12/1993	Johnson	D22/115
2,289,284	7/1942	Chandler	.	
2,568,417	9/1951	Steinbacher	.	
2,820,634	1/1958	Vance	.	
2,939,708	6/1960	Scheib	273/419
3,036,396	5/1962	Swails	.	
3,578,328	5/1971	Rickey	.	
3,738,657	6/1973	Cox	.	
4,099,720	7/1978	Zeren	.	
4,405,133	9/1983	Cartwright, Jr.	273/419
4,537,404	8/1985	Castellano et al.	.	

(List continued on next page.)

Primary Examiner—Doris V. Coles
Attorney, Agent, or Firm—Burd, Bartz & Gutenkauf

[57] CLAIM

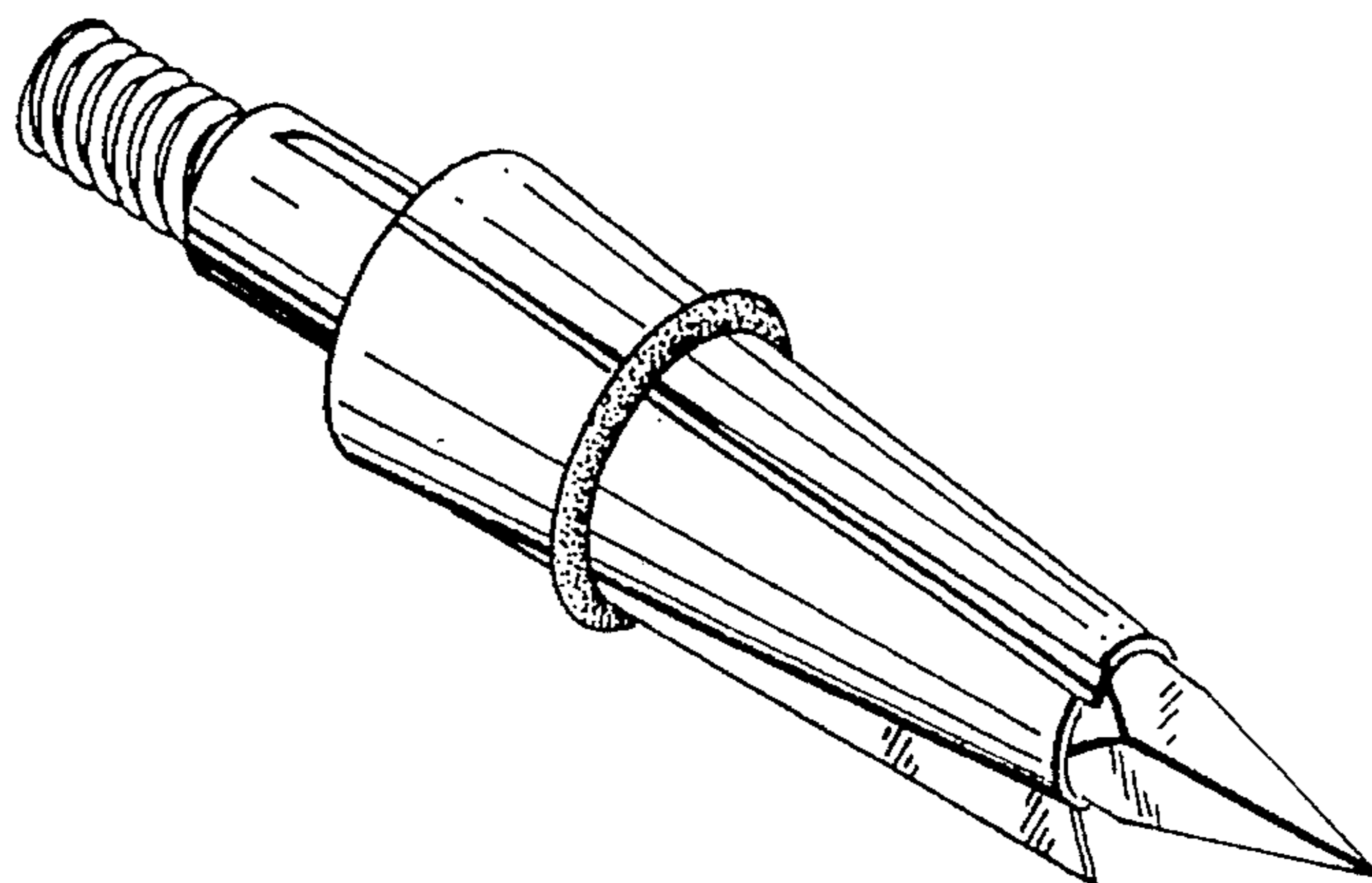
The ornamental design for a broadhead with expandable blades as shown and described.

DESCRIPTION

FIG. 1 is a perspective view of a broadhead with expandable

blades showing my new design;
 FIG. 2 is a top plan view of the broadhead of FIG. 1;
 FIG. 3 is a bottom plan view of the broadhead of FIG. 1;
 FIG. 4 is a side elevational view of the right side of the broadhead of FIG. 1;
 FIG. 5 is a side elevational view of the right side of the broadhead of FIG. 1;
 FIG. 6 is a front elevational view of the broadhead of FIG. 1;
 FIG. 7 is a rear elevational view of the broadhead of FIG. 1;
 FIG. 8 is a perspective view of the broadhead of FIG. 1, showing the blades in open positions;
 FIG. 9 is a top plan view of the broadhead of FIG. 8;
 FIG. 10 is a bottom plan view of the broadhead of FIG. 8;
 FIG. 11 is a side elevational view of the left side of the broadhead of FIG. 8;
 FIG. 12 is a side elevational view of the right side of the broadhead of FIG. 8;
 FIG. 13 is a front elevational view of the broadhead of FIG. 8;
 FIG. 14 is a rear elevational view of the broadhead of FIG. 8;
 FIG. 15 is a perspective view of a second modification of the broadhead with expandable blades of my new design;
 FIG. 16 is a top plan view of the broadhead of FIG. 15, the bottom plan view being a mirror image thereof;
 FIG. 17 is a side elevational view of the broadhead of FIG. 15, the opposite side being a mirror image thereof;
 FIG. 18 is a front elevational view of the broadhead of FIG. 15;
 FIG. 19 is a rear elevational view of the broadhead of FIG. 15;
 FIG. 20 is a perspective view of the broadhead of FIG. 15 with the blades in the open position;
 FIG. 21 is top plan view of the broadhead of FIG. 20, the bottom view being a mirror image thereof;
 FIG. 22 is a side elevational view of the broadhead of FIG. 20, the opposite side being a mirror image thereof;
 FIG. 23 is a front elevational view of the broadhead of FIG. 20; and,
 FIG. 24 is a rear elevational view of the broadhead of FIG. 20.

1 Claim, 5 Drawing Sheets



Des. 363,108

Page 2

U.S. PATENT DOCUMENTS

			4,940,246	7/1990	Stagg	273/421
4,579,348	4/1986	Jones .	4,976,443	12/1990	DeLucia	273/421
4,615,529	10/1986	Vocal .	5,066,021	11/1991	DeLucia	273/621
4,807,382	2/1989	Albrecht	5,090,709	2/1992	Johnson	273/422
4,807,889	2/1989	Johnson				

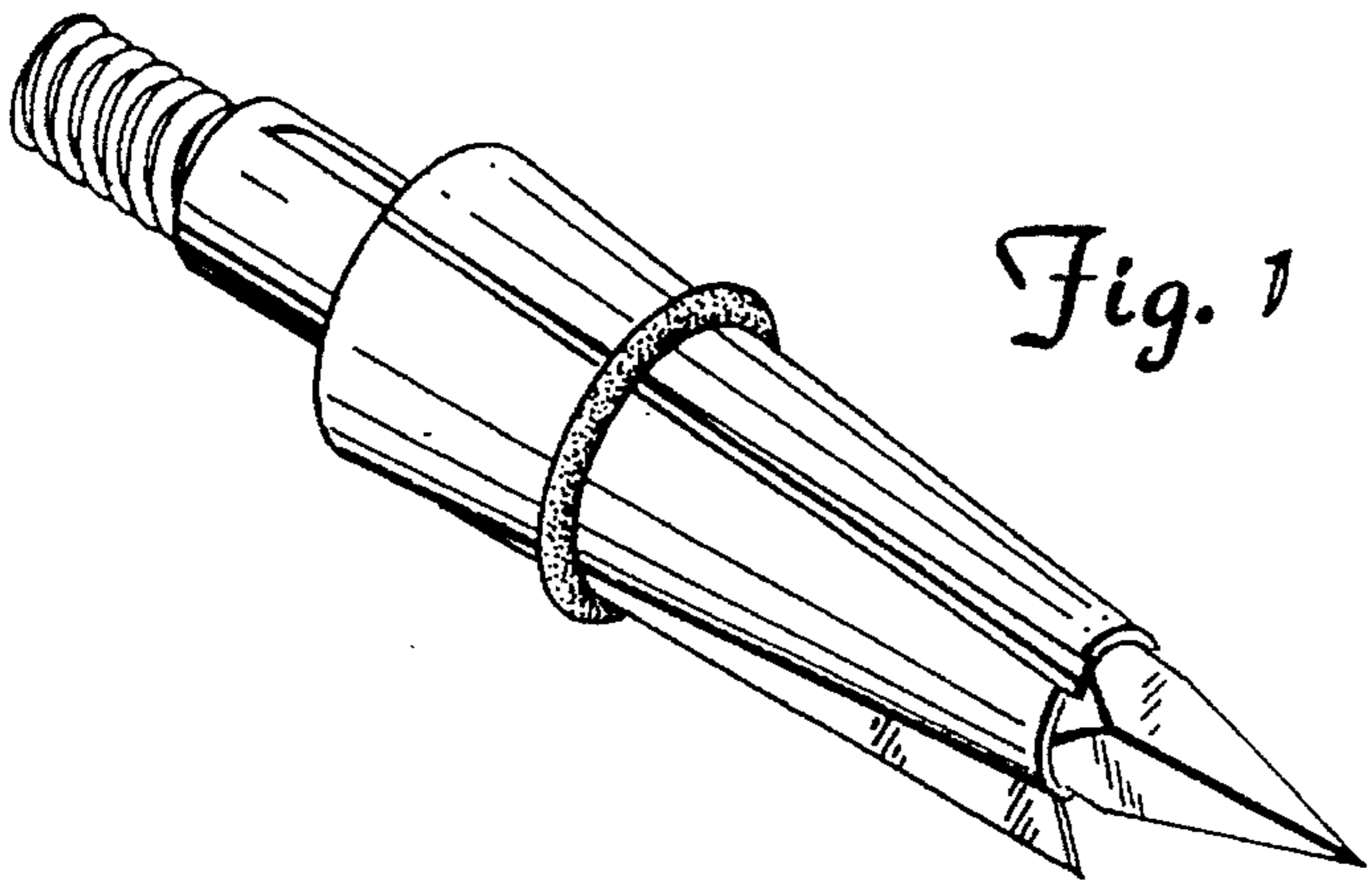


Fig. 1

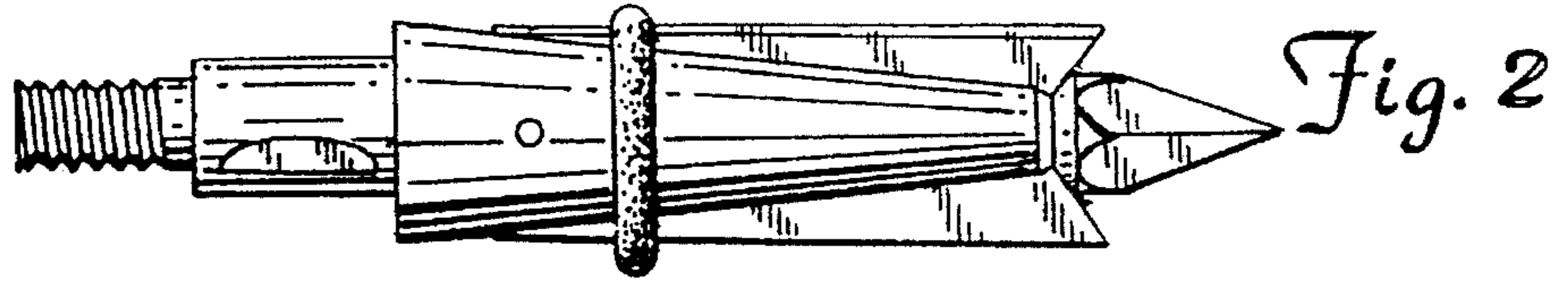


Fig. 2

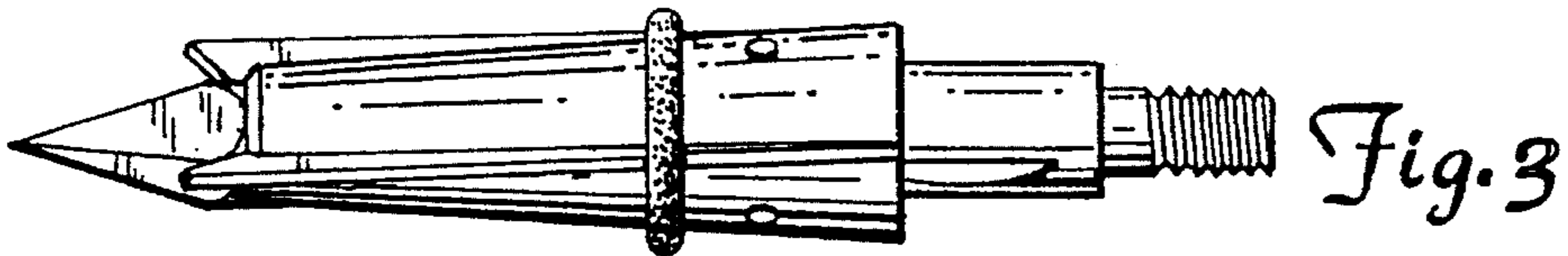


Fig. 3

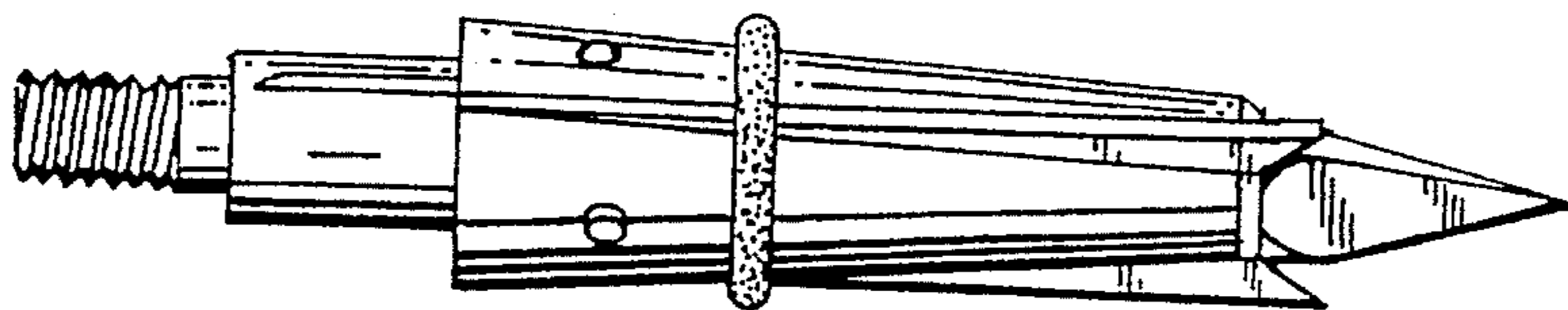


Fig. 4

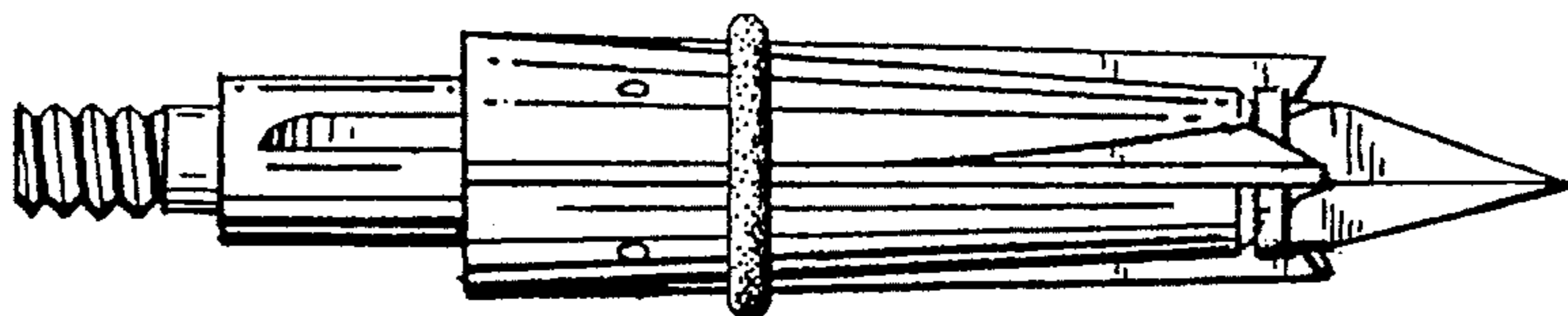


Fig. 5



Fig. 6

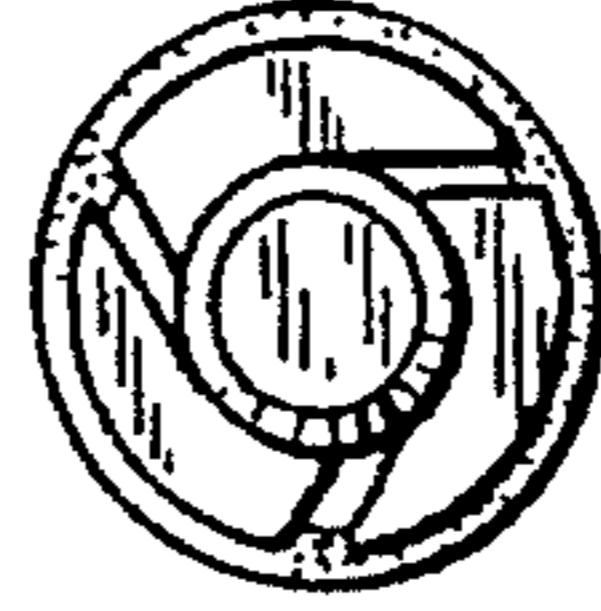


Fig. 7

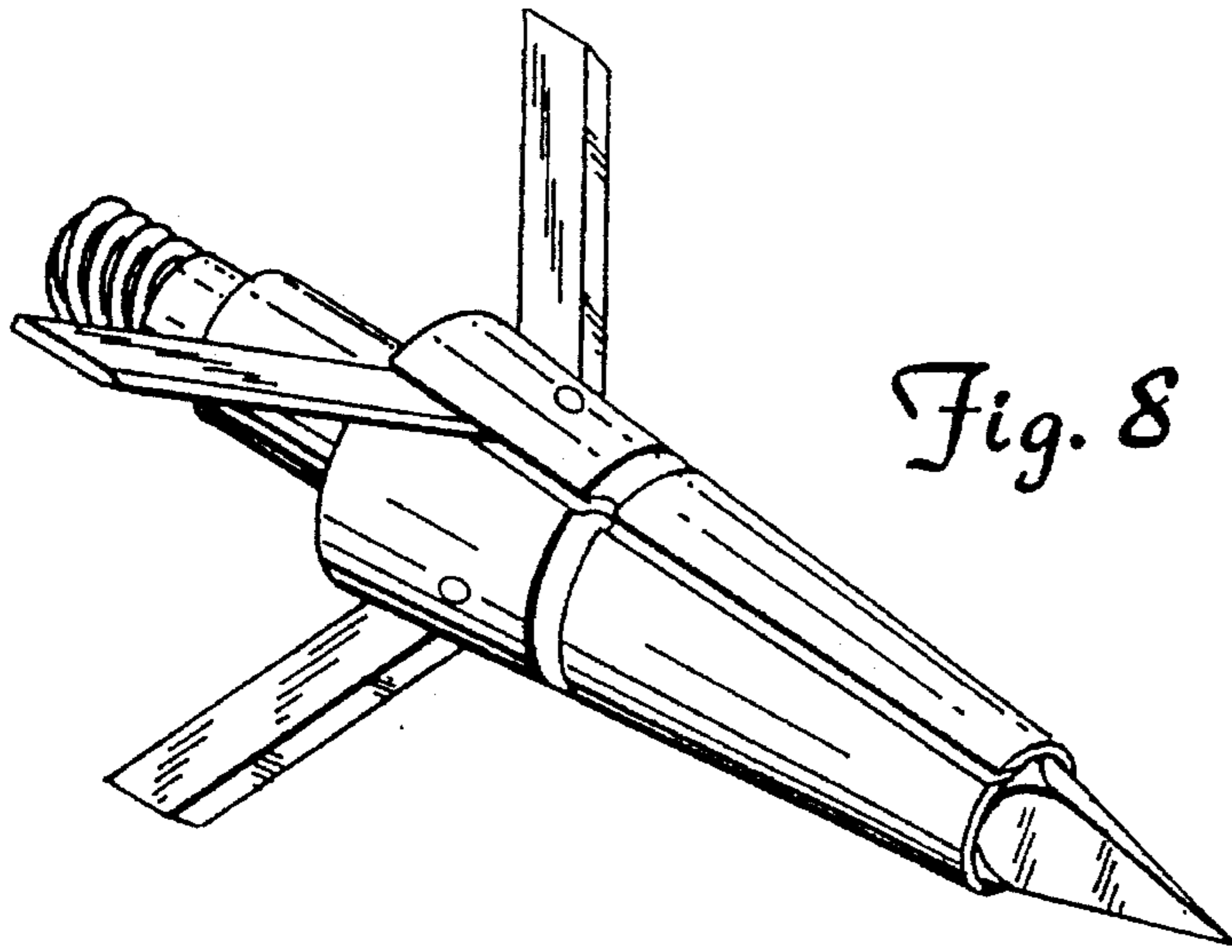


Fig. 8

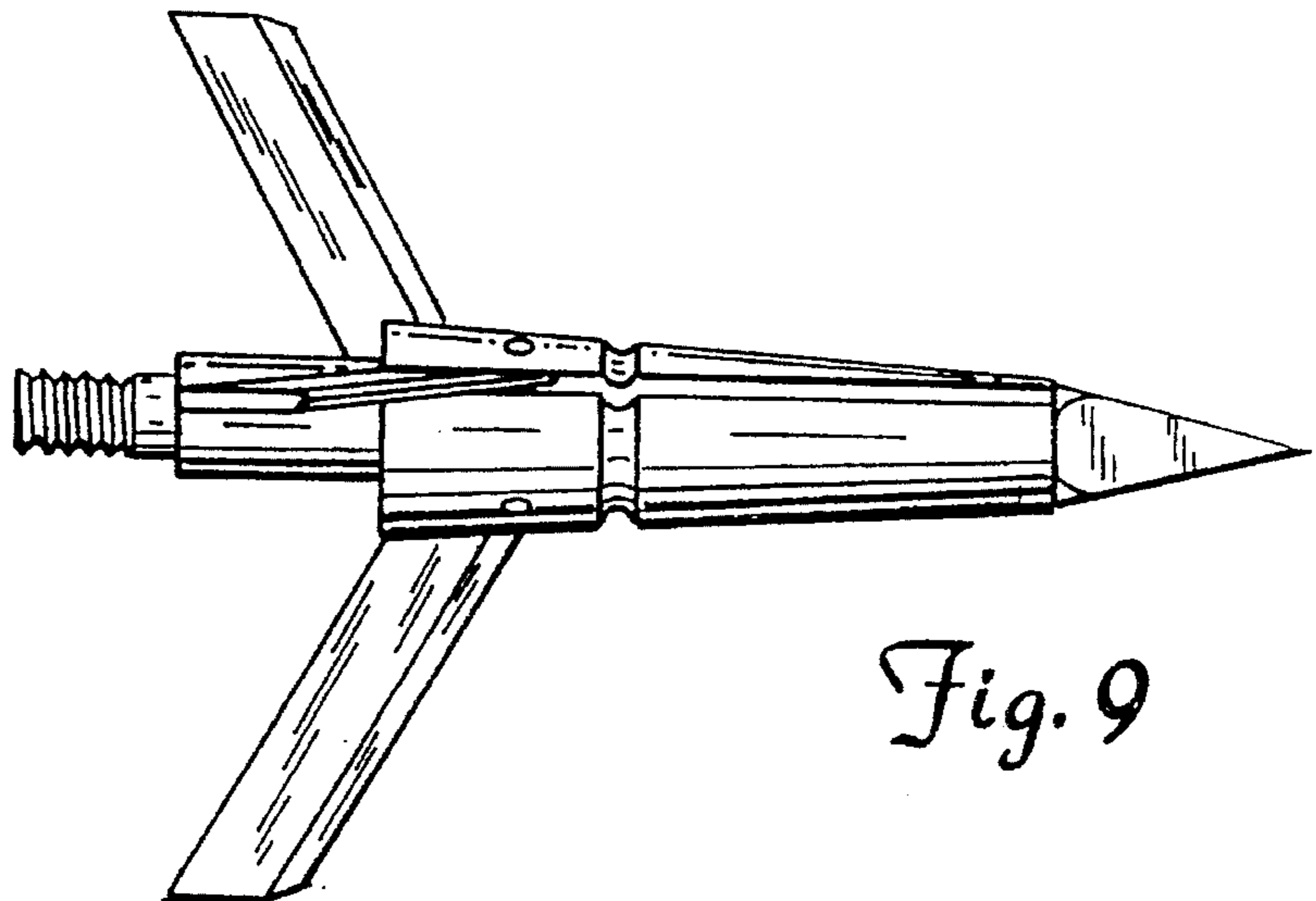


Fig. 9

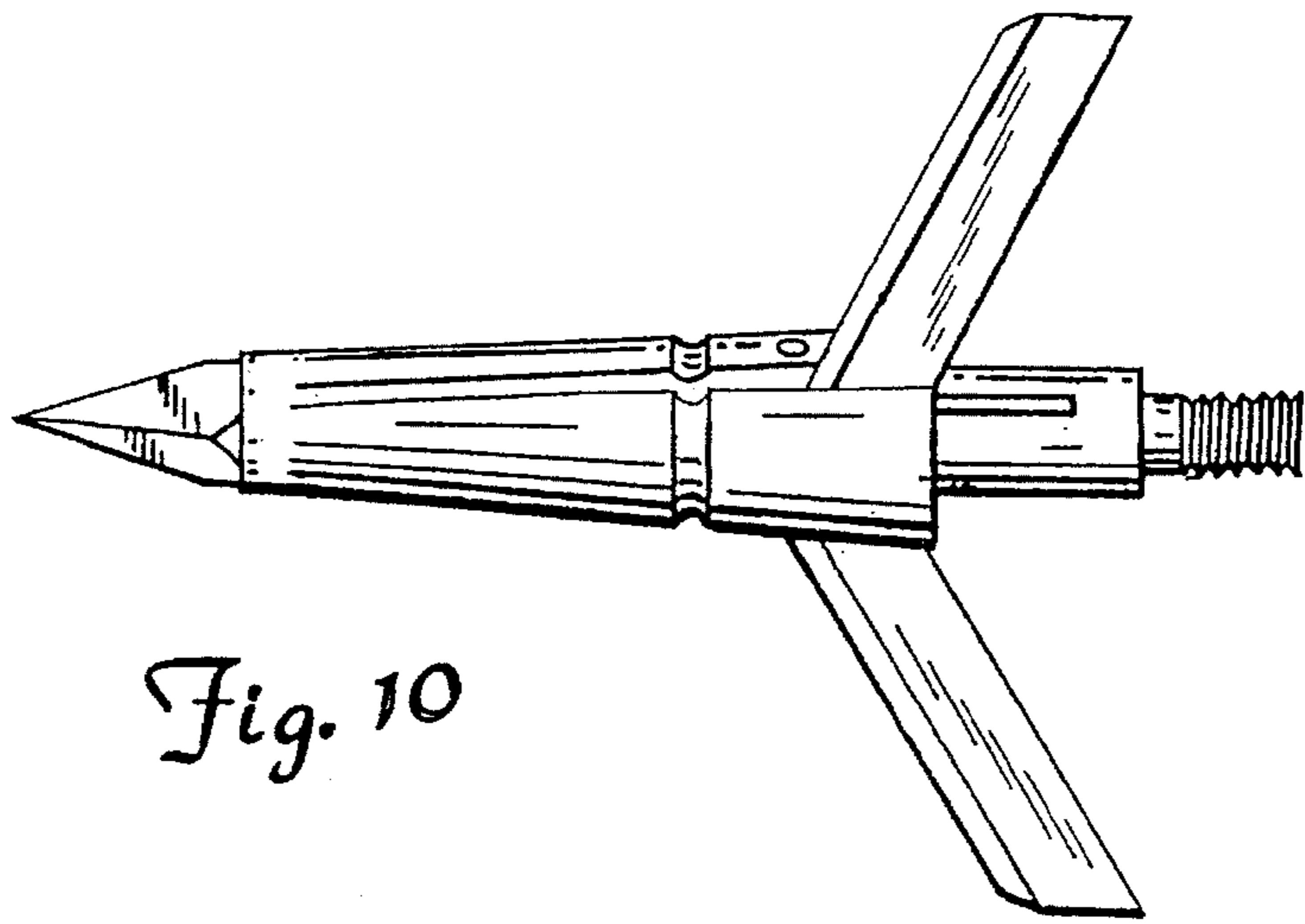


Fig. 10

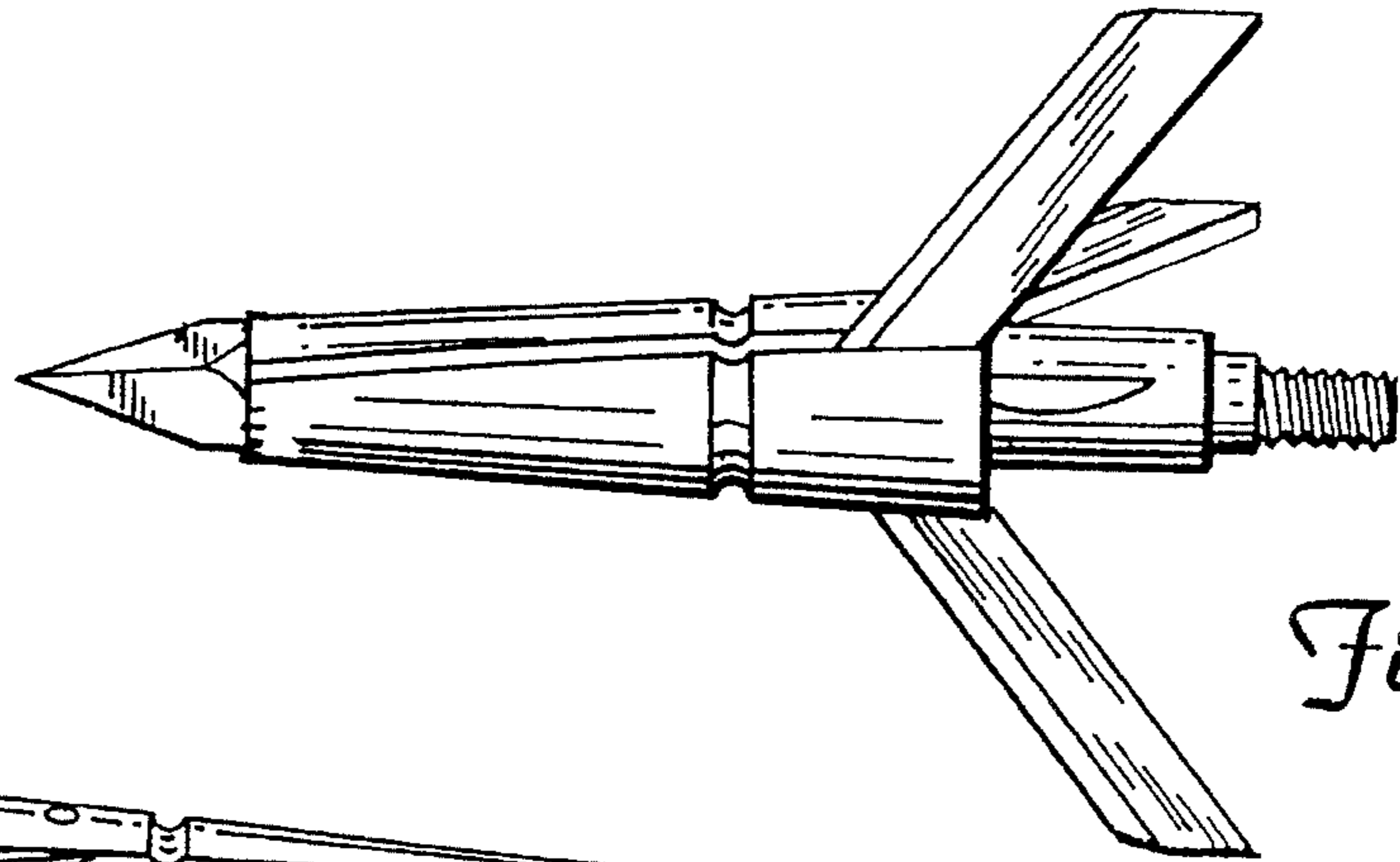


Fig. 11

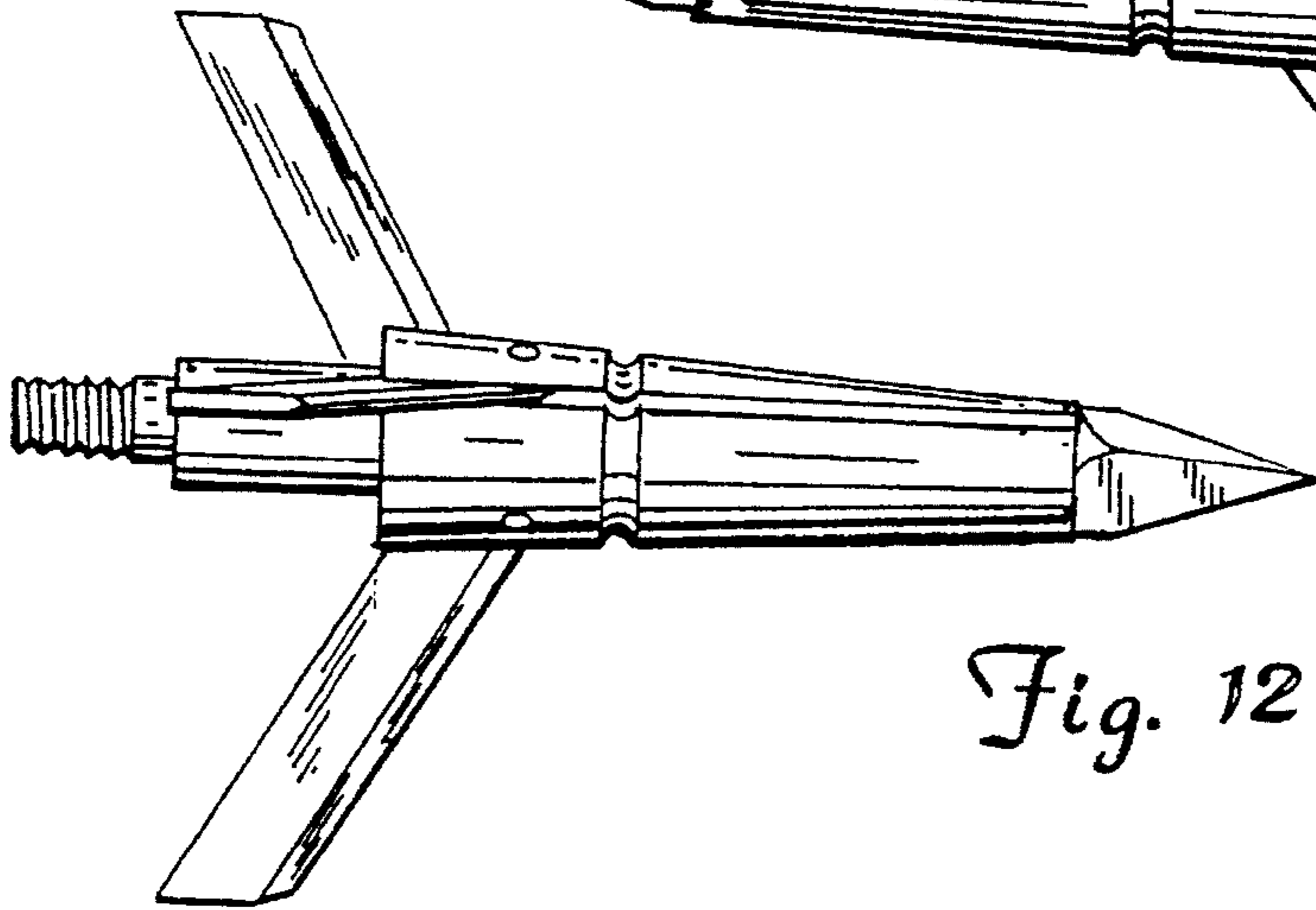


Fig. 12

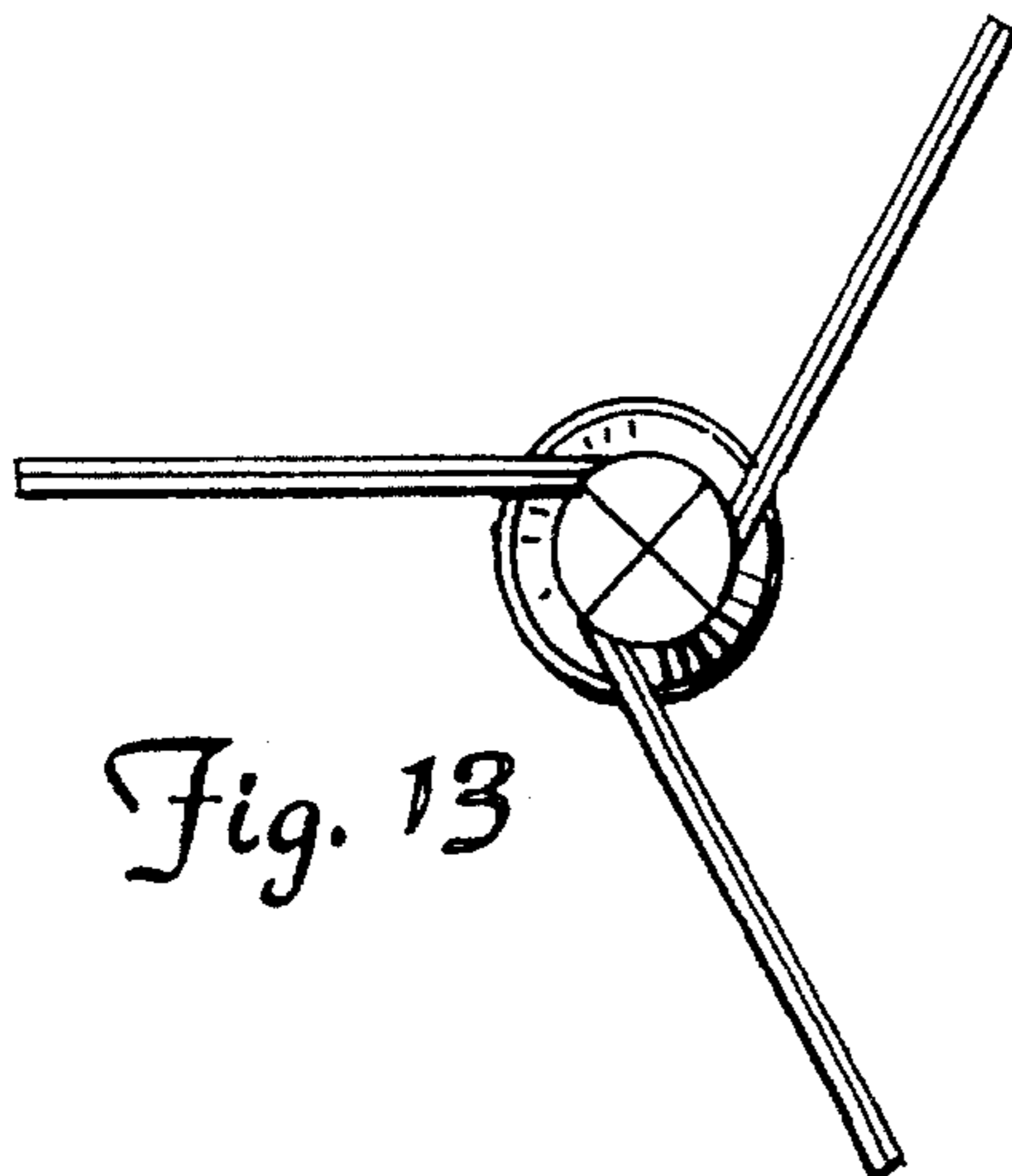


Fig. 13

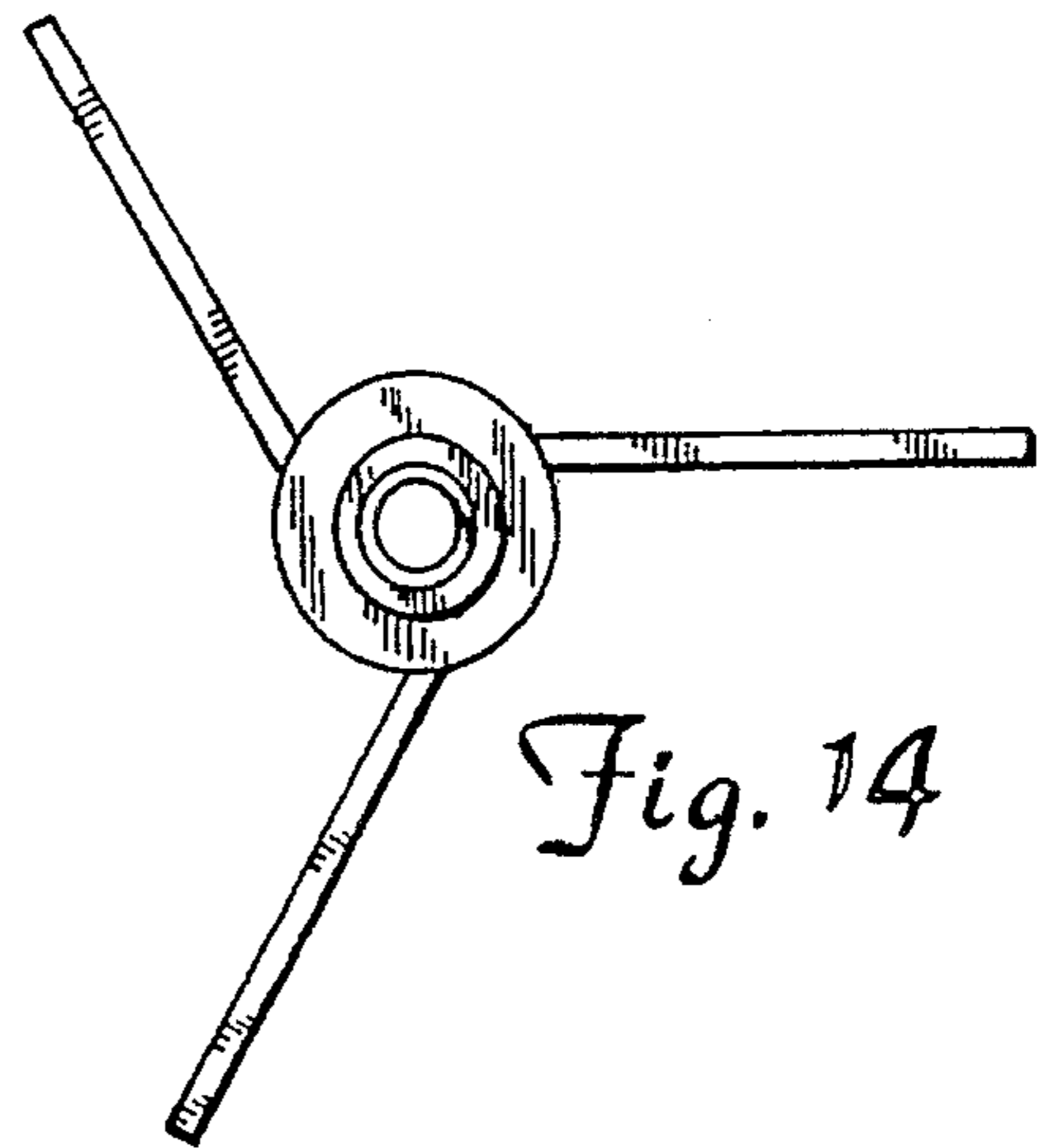


Fig. 14

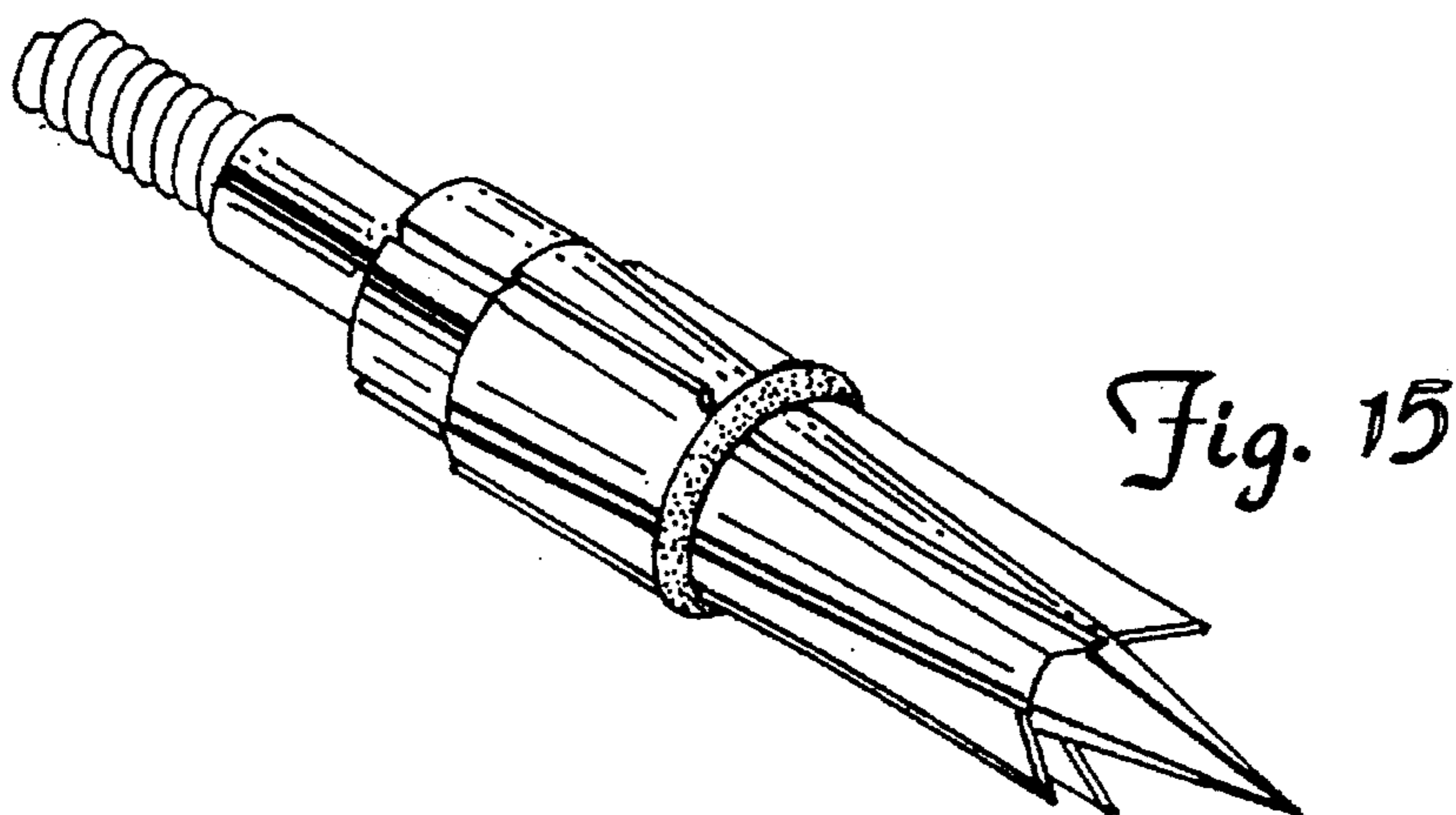


Fig. 15

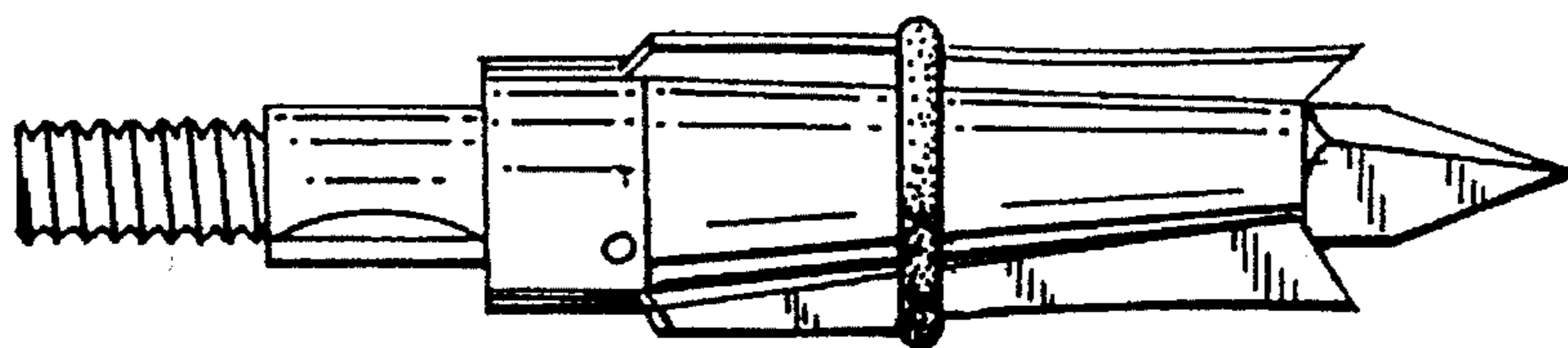


Fig. 16

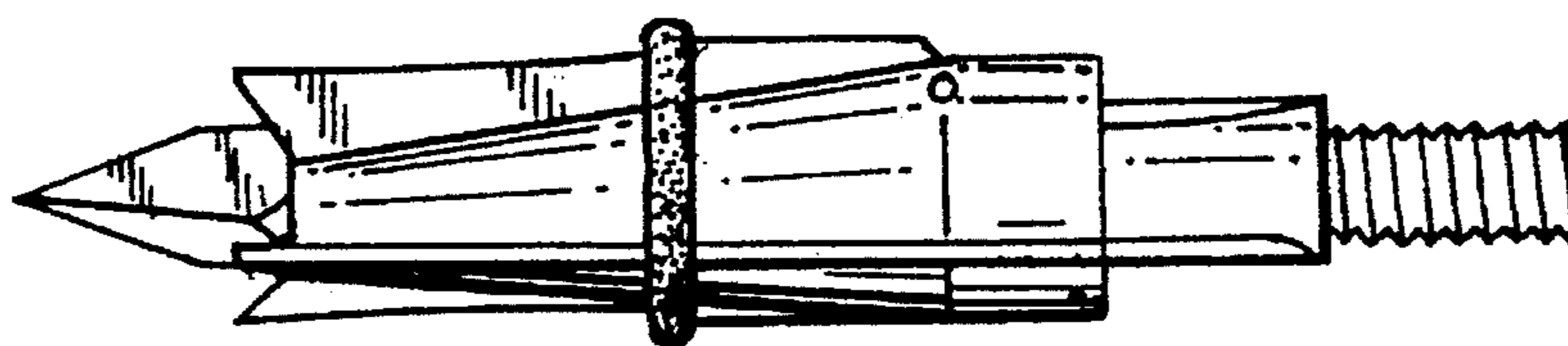


Fig. 17

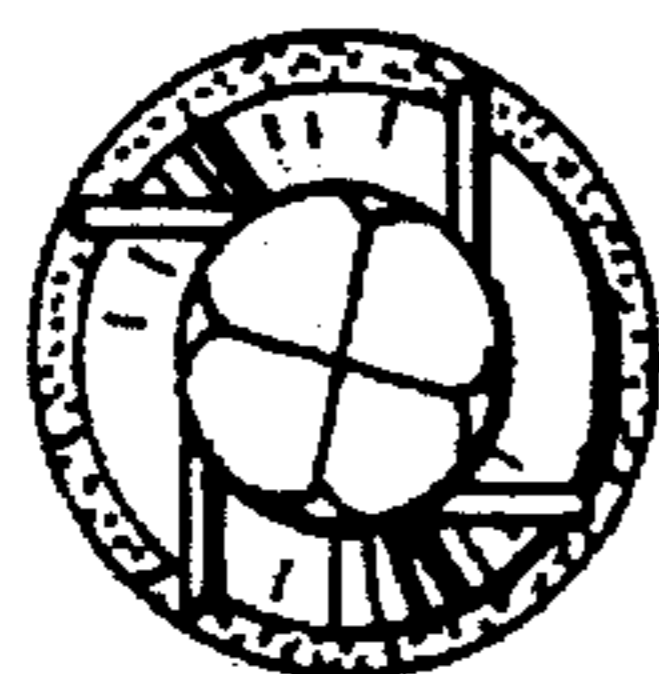


Fig. 18



Fig. 19

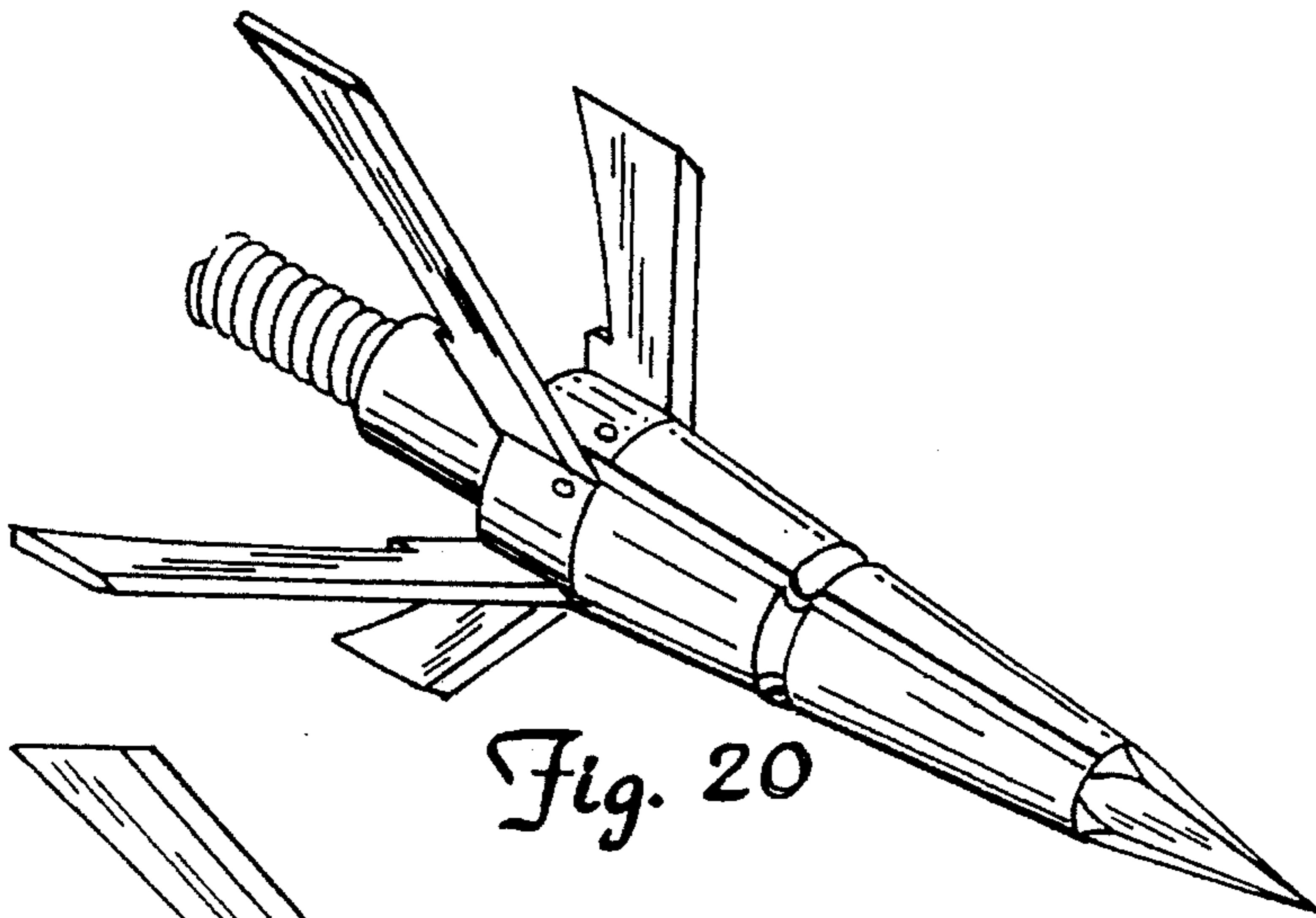


Fig. 20

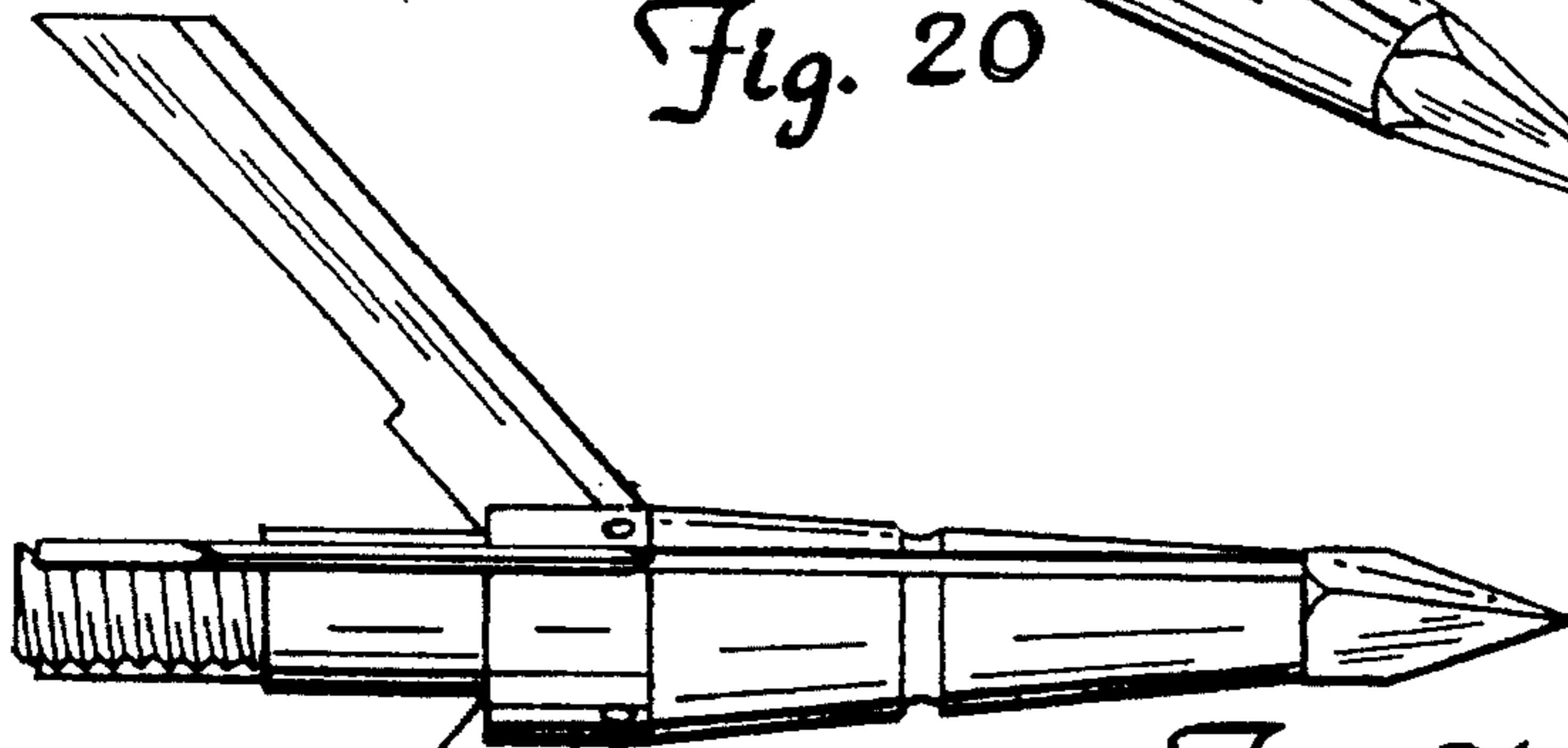


Fig. 21

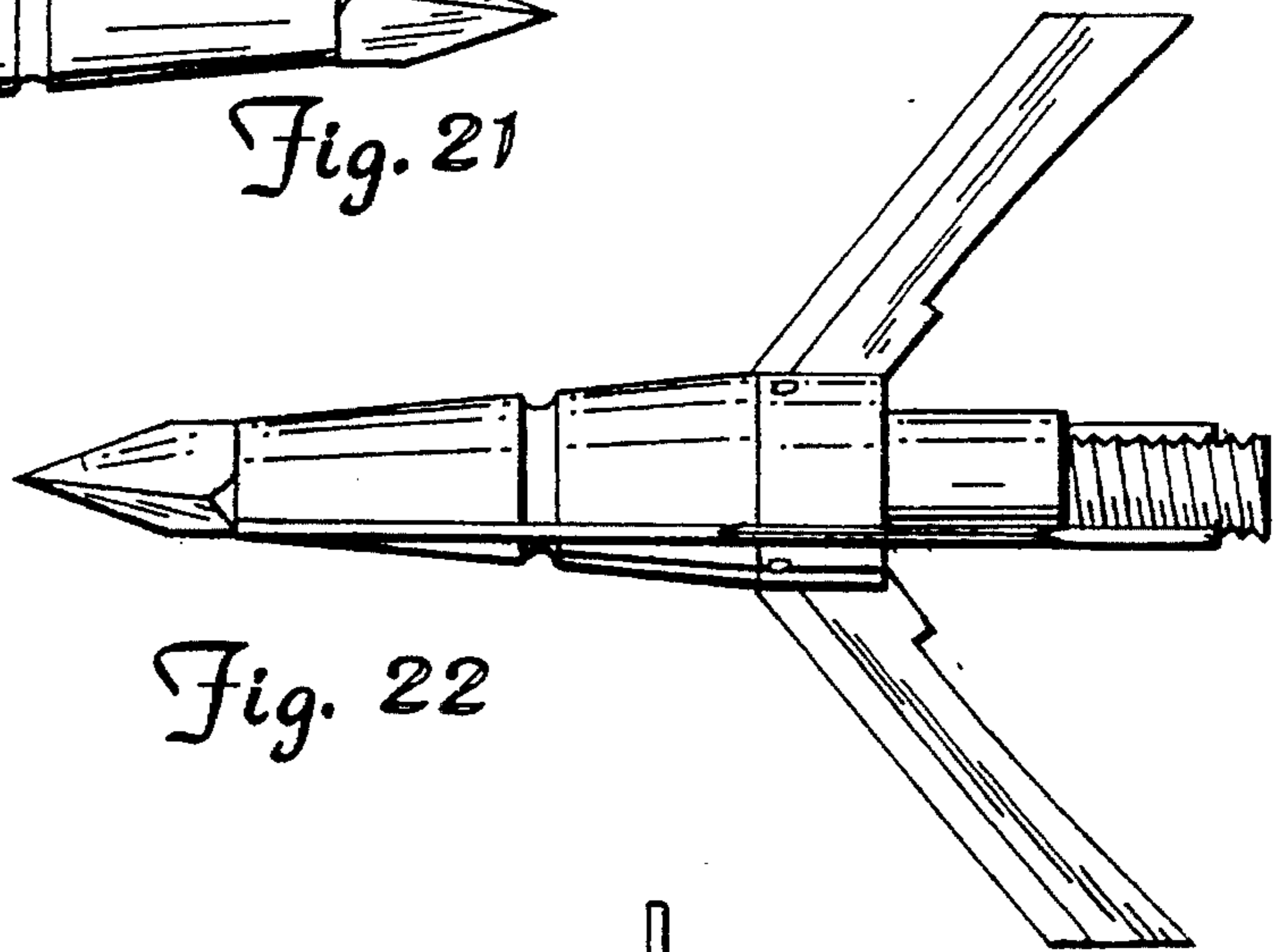


Fig. 22

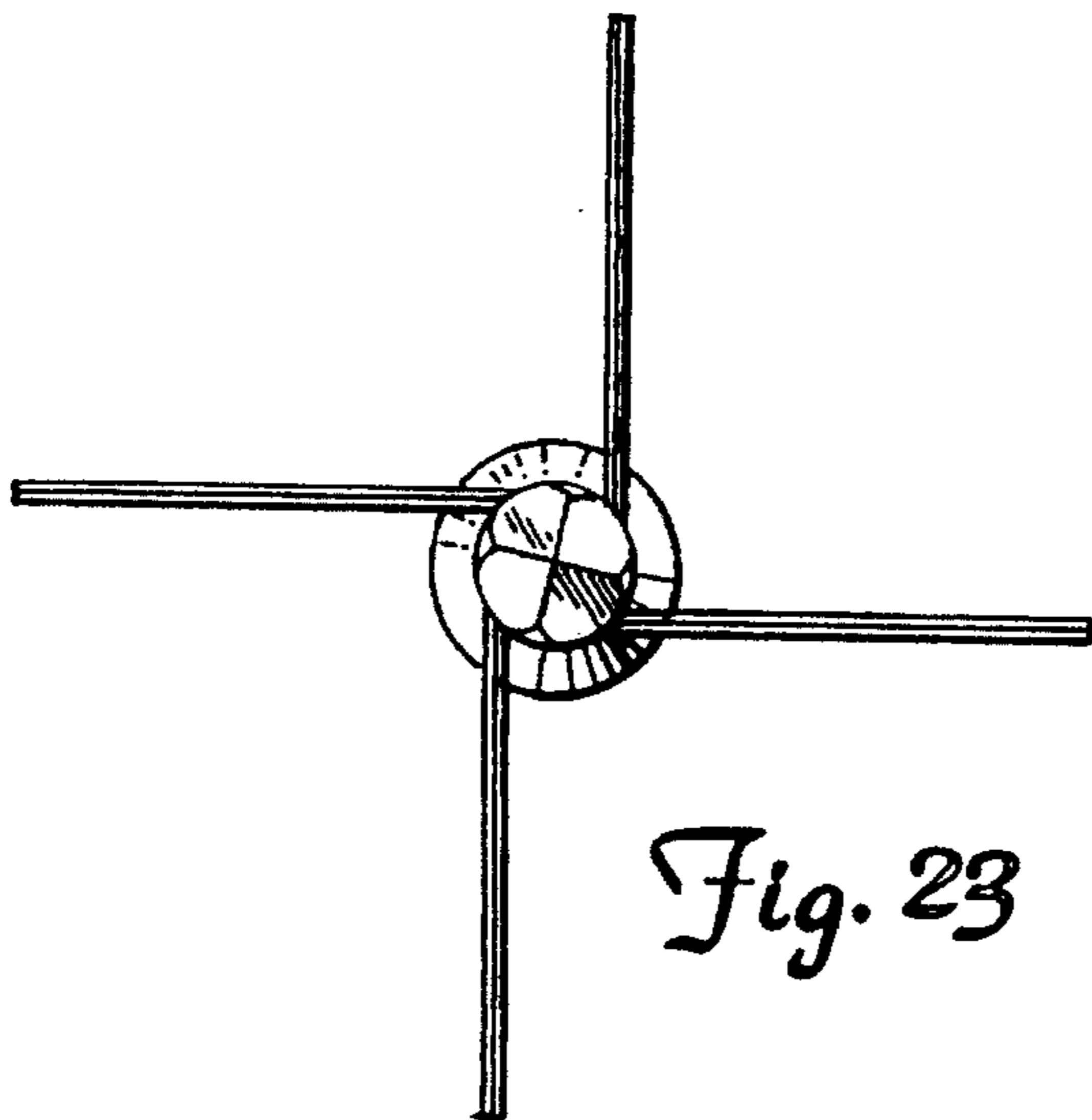


Fig. 23

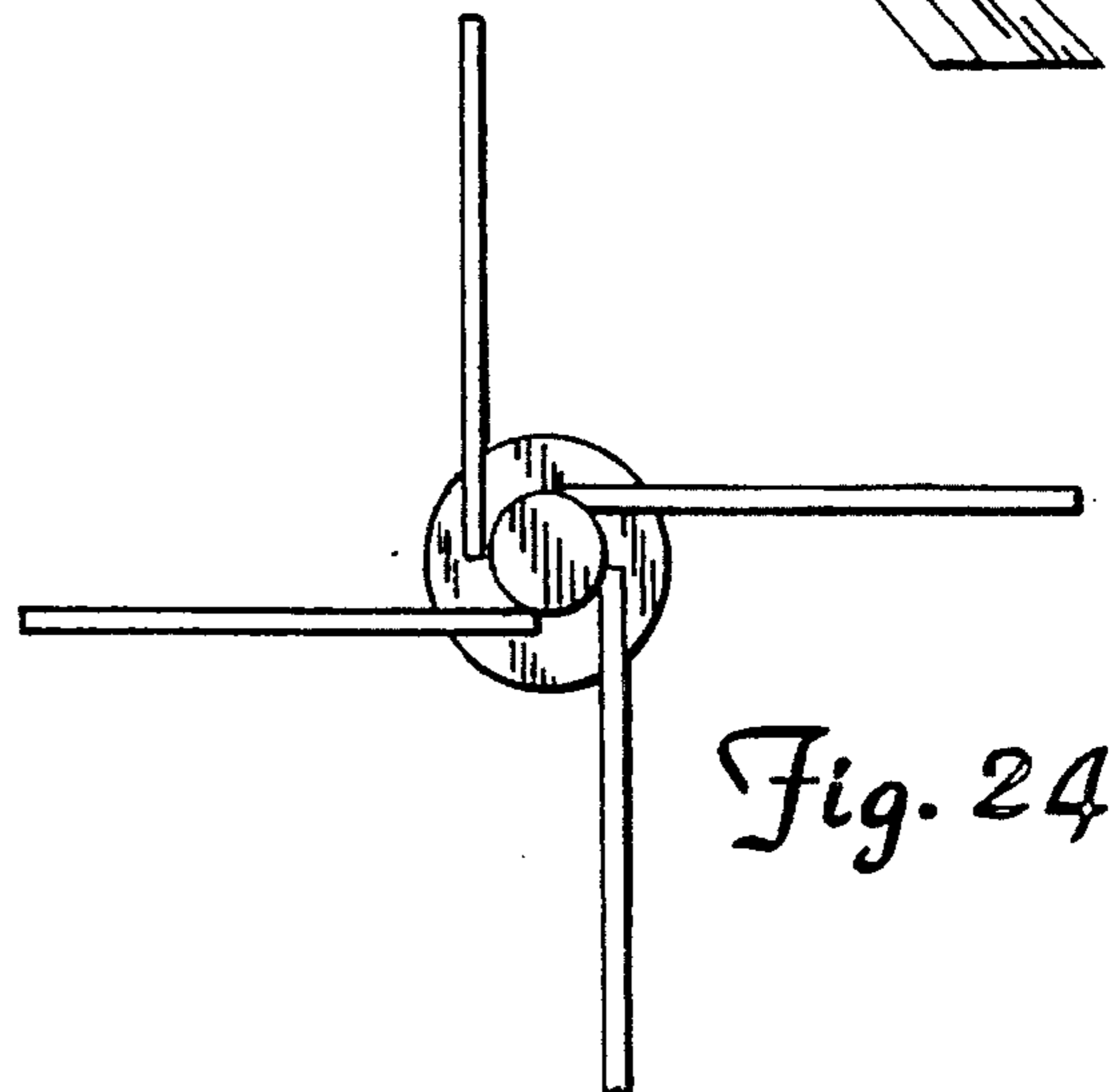


Fig. 24