



US00D363107S

United States Patent [19]

[11] Patent Number: **Des. 363,107**

Sanford

[45] Date of Patent: ****Oct. 10, 1995**

[54] PISTOL

4,358,987 11/1982 Wilhelm 89/196

[76] Inventor: **Harry Sanford**, 6226 Santos Dias St.,
Irwindale, Calif. 91702

Primary Examiner—Louis S. Zarfes
Assistant Examiner—Monica A. Hannon
Attorney, Agent, or Firm—Donald D. Mon

[**] Term: **14 Years**

[57] **CLAIM**

[21] Appl. No.: **27,621**

The ornamental design for a pistol, as shown and described.

[22] Filed: **Aug. 25, 1994**

DESCRIPTION

[52] U.S. Cl. **D22/104**; D22/100

[58] Field of Search D22/100-116;
42/2, 7, 50, 69.01, 69.02, 69.03, 70.06,
70.07, 70.11, 71.02, 98, 100, 101; 89/1.53,
1.54, 33.4, 194, 195, 196

FIG. 1 is a right front perspective view of the pistol according to this invention;
FIG. 2 is a left hand side elevation of the pistol;
FIG. 3 is a left hand perspective view of the pistol according to this invention;
FIG. 4 is a left hand side elevation of the pistol;
FIG. 5 is a top view of the pistol;
FIG. 6 is a bottom view of the pistol;
FIG. 7 is a front elevation of the pistol; and,
FIG. 8 is a rear elevation of the pistol.

[56] **References Cited**

U.S. PATENT DOCUMENTS

D. 249,800	10/1978	Yates et al.	D22/104
1,548,236	8/1925	Zehner	89/196
2,259,404	10/1941	Walther	42/7 X
3,159,080	12/1964	Freed	42/7 X

1 Claim, 3 Drawing Sheets

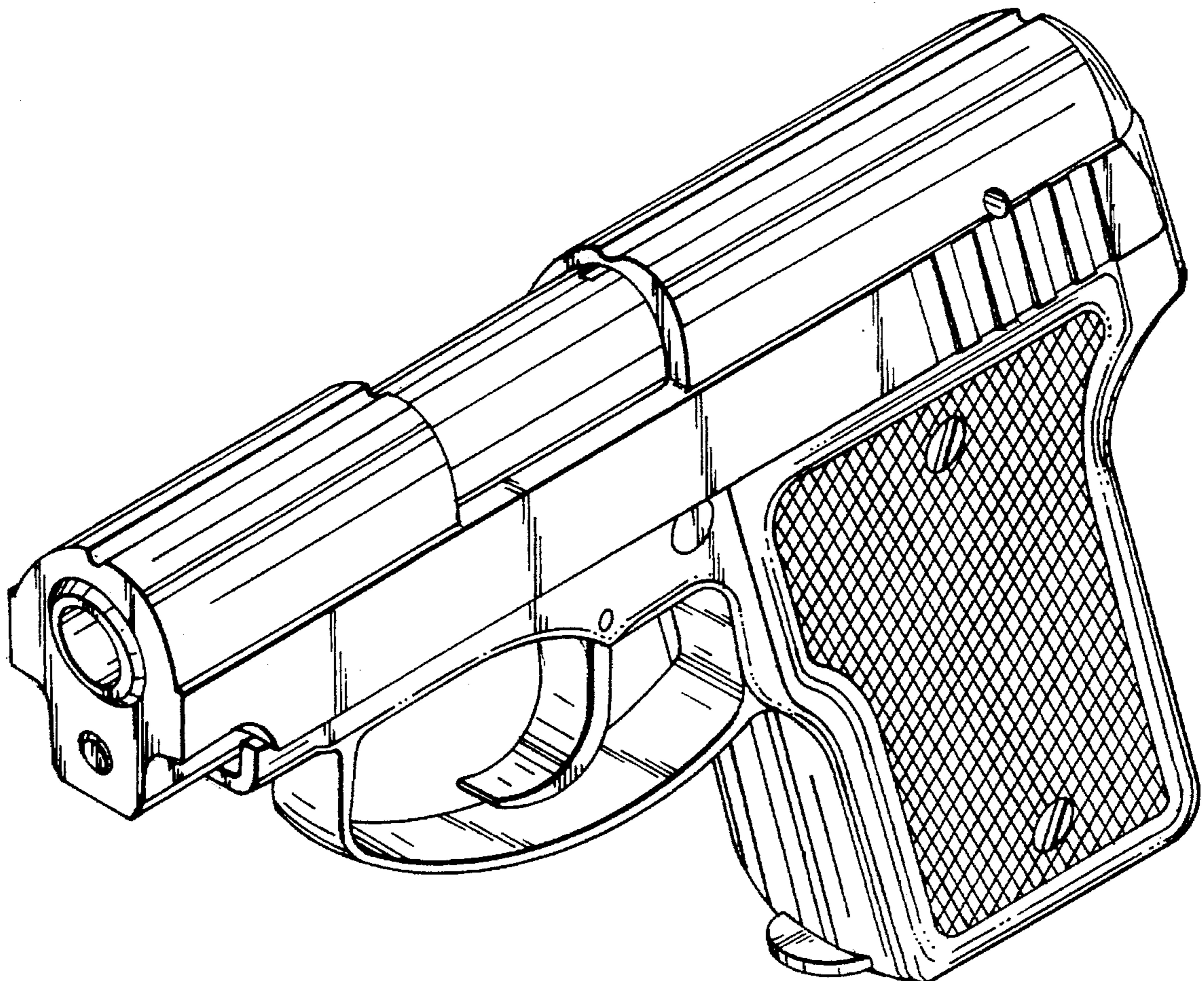


Fig. 1

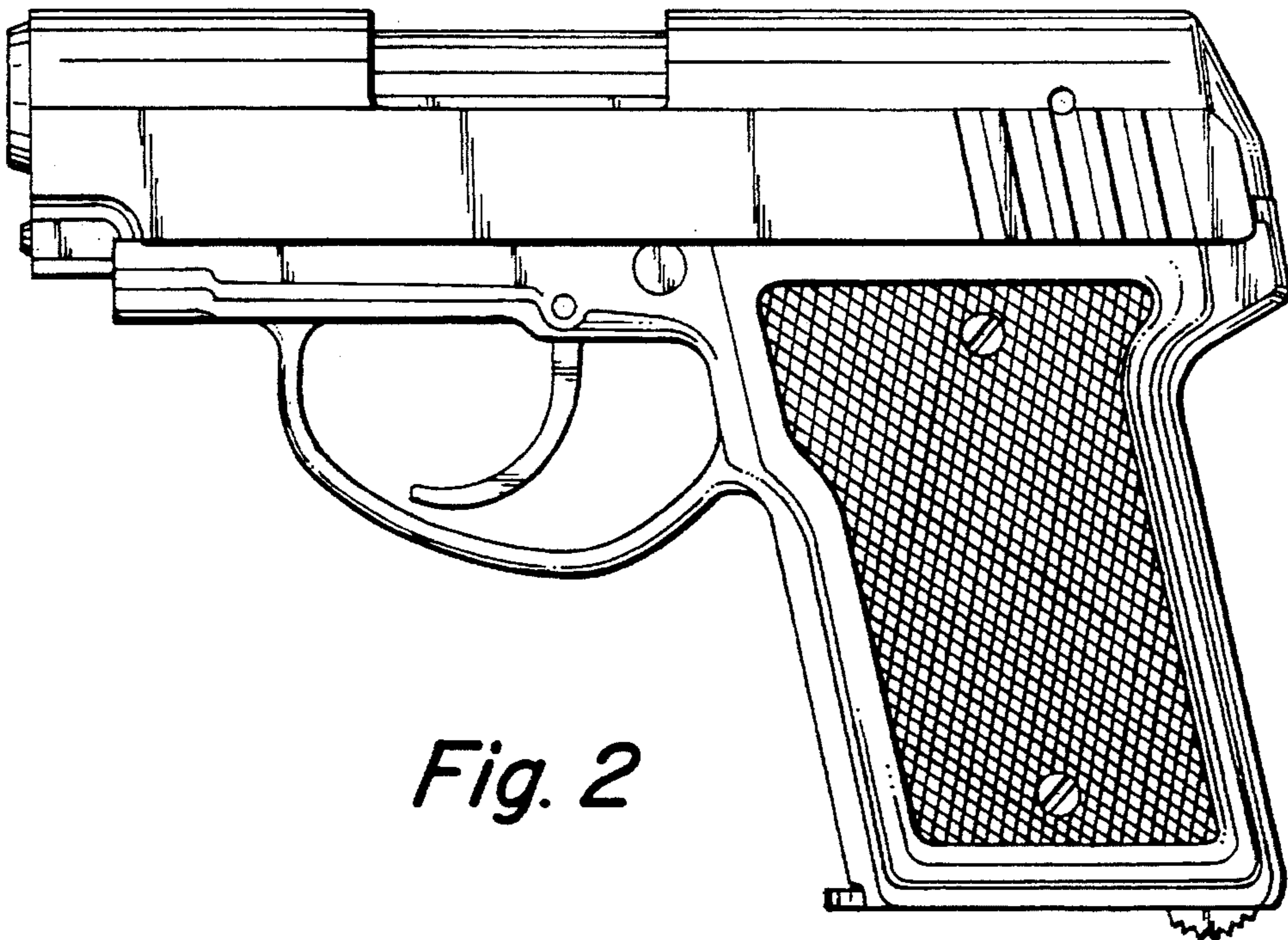
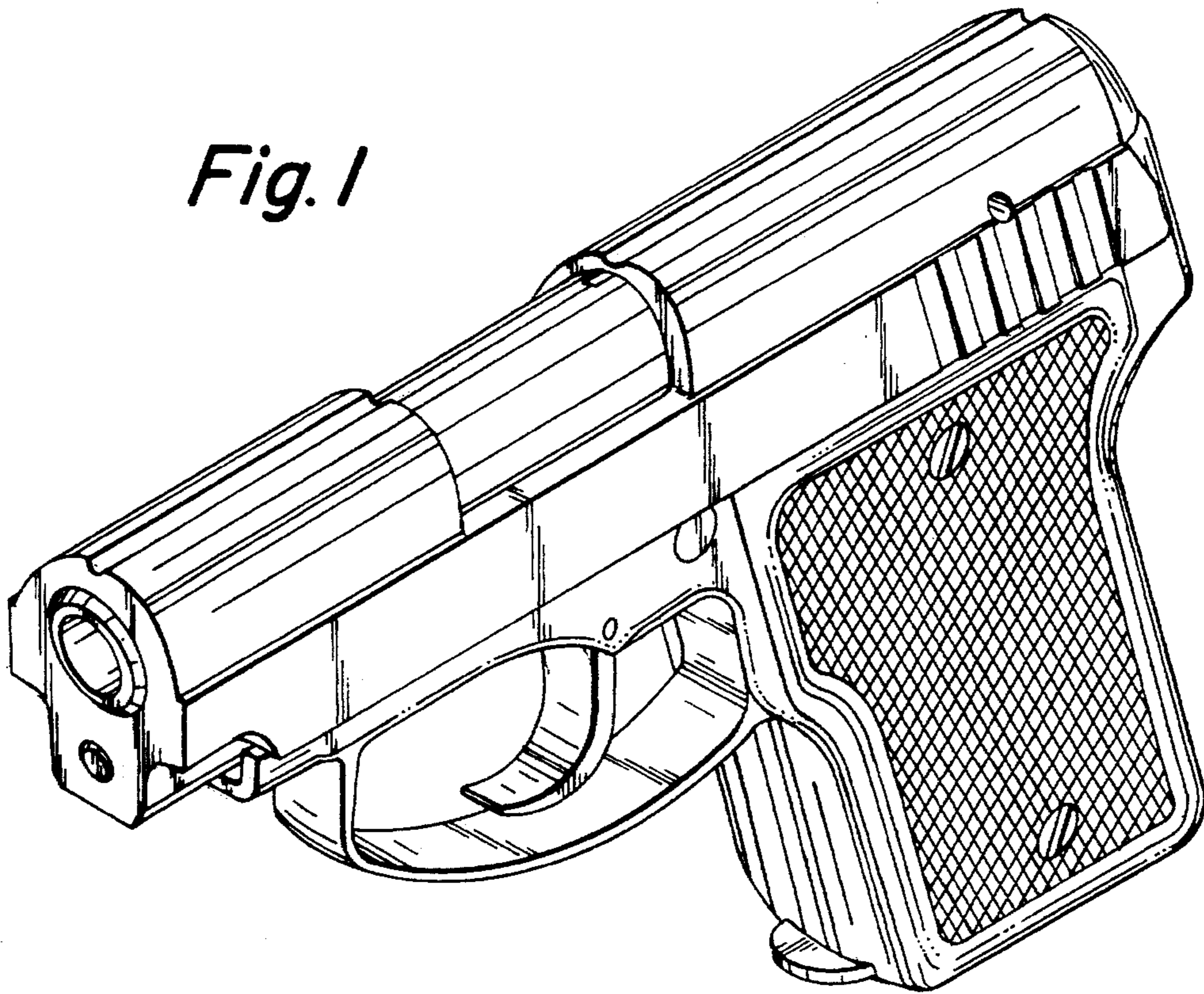


Fig. 2

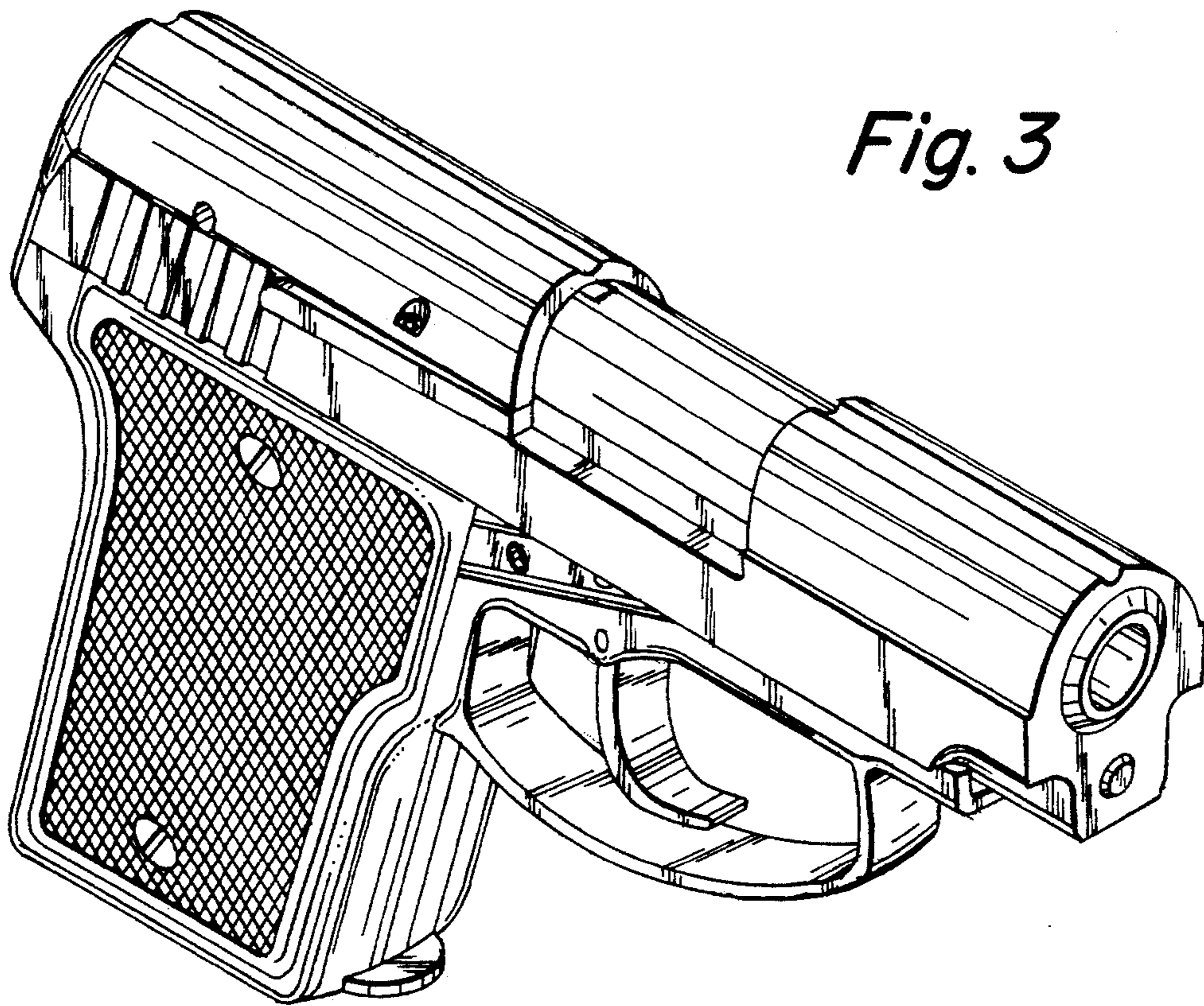


Fig. 3

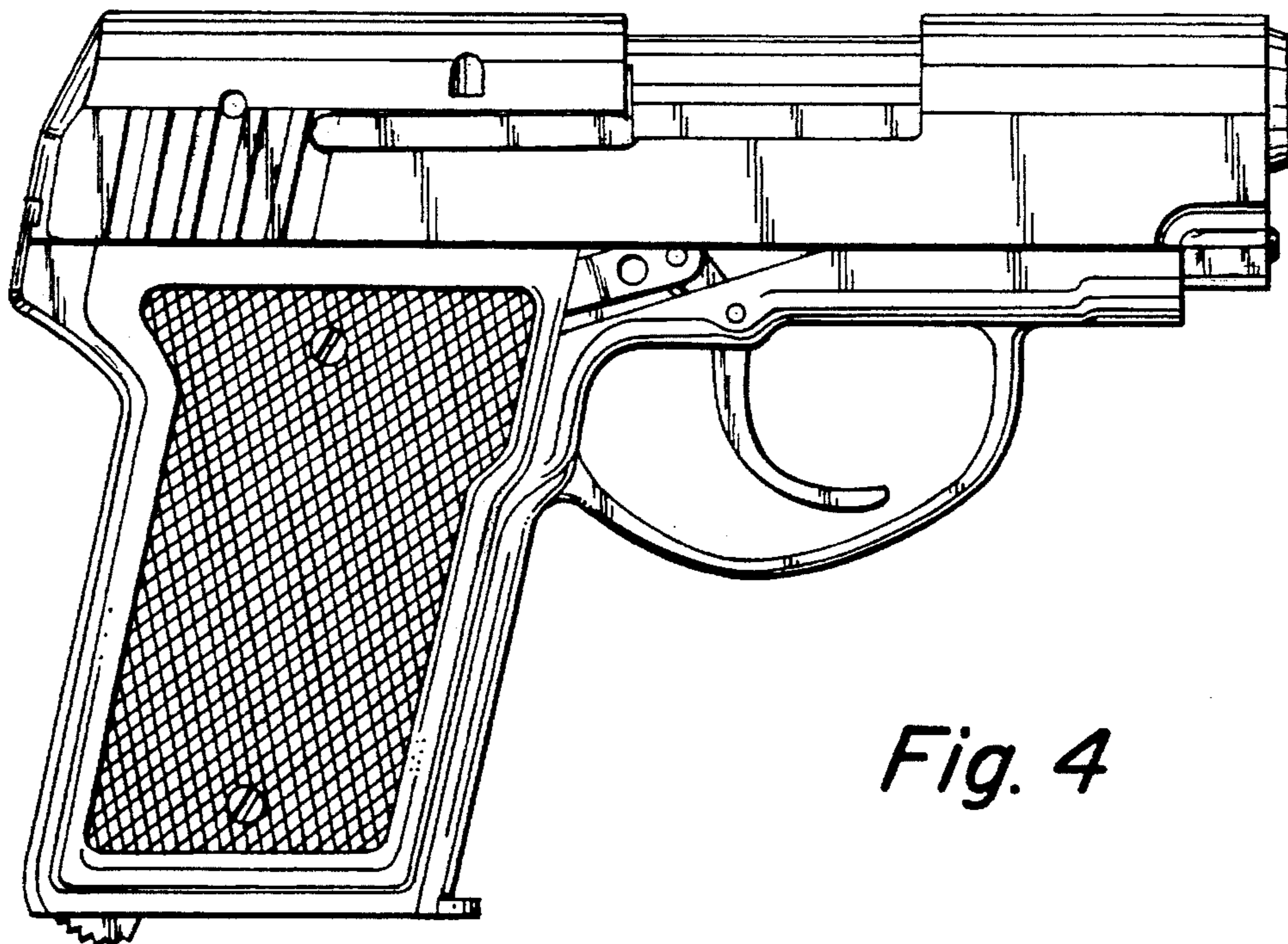


Fig. 4

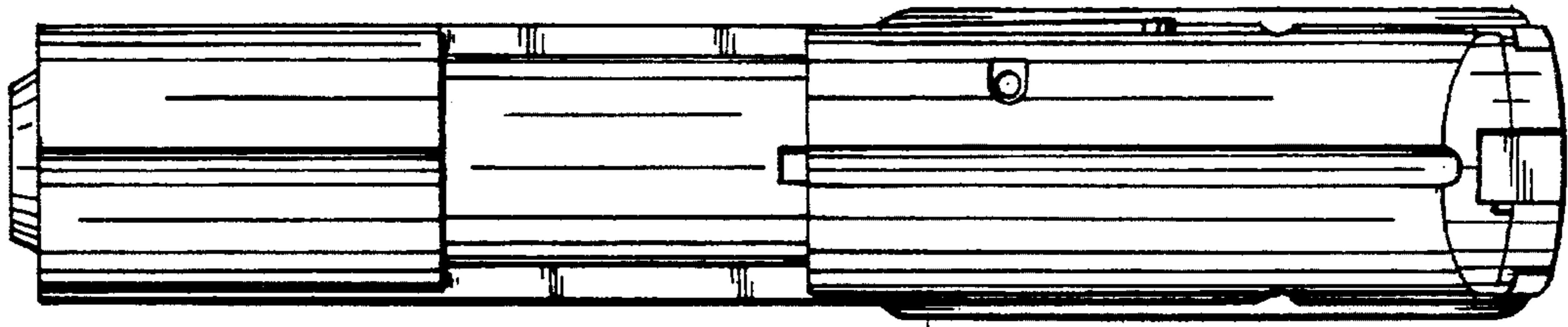


Fig. 5

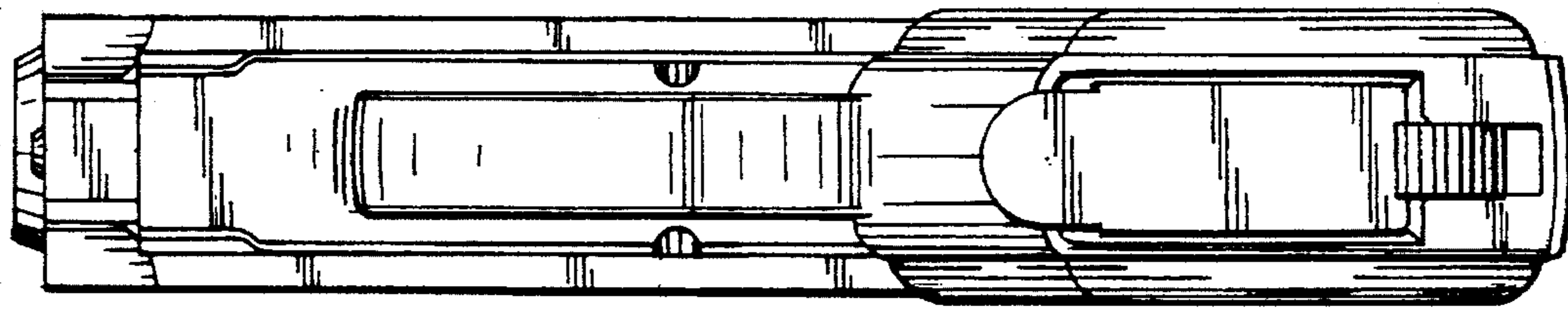


Fig. 6

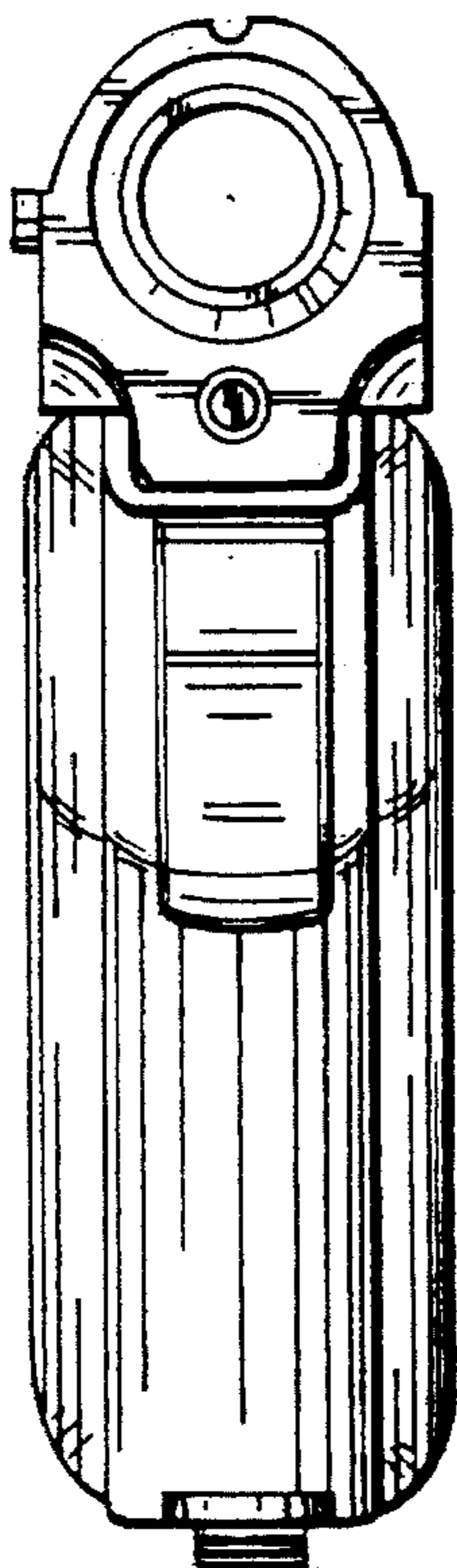


Fig. 7



Fig. 8