



US00D363103S

United States Patent [19]

[11] **Patent Number:** **Des. 363,103**

Sherman et al.

[45] **Date of Patent:** ****Oct. 10, 1995**

[54] **ROLLER SKATE**

3,837,662	9/1974	Marks et al.	280/11.23
3,877,710	4/1975	Nyitrai	280/11.23
3,901,520	8/1975	McMahan	280/11.23
4,146,241	3/1979	Stevenson	280/11.27

[76] Inventors: **Victor Sherman**, 13-10, 34 Ave., Apt.
4C, Long Island City, N.Y. 11106;
Alfred Bello, 31-40, 77 St., Jackson
Hts., N.Y. 11370

Primary Examiner—Prabhakar G. Deshmukh
Assistant Examiner—R. Barkai

[**] Term: **14 Years**

[57] **CLAIM**

[21] Appl. No.: **21,426**

The ornamental design for a roller skate, as shown and described.

[22] Filed: **Apr. 18, 1994**

DESCRIPTION

[52] U.S. Cl. **D21/226**

[58] **Field of Search** D21/224-227,
D21/230; D280/11.2, 11.22, 11.19, 11.23,
11.27, 8.09, 8.16

FIG. 1 is a left side elevational view of a roller skate, the right side elevational view thereof being identical; FIG. 2 is a top plan view thereof; FIG. 3 is a front elevational view thereof; FIG. 4 is a rear elevational view thereof; and, FIG. 5 is a bottom plan view thereof.

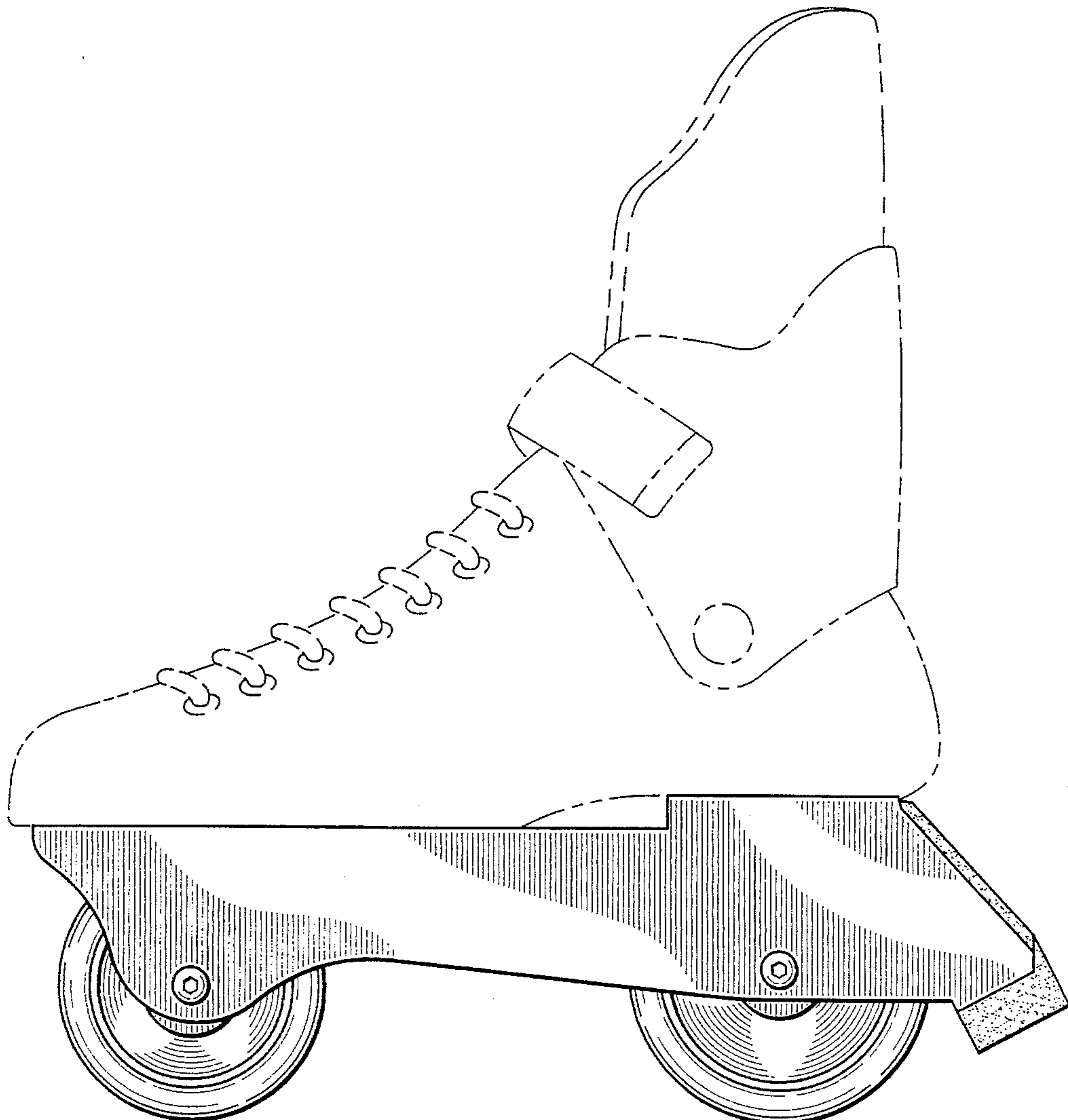
[56] **References Cited**

U.S. PATENT DOCUMENTS

D. 134,931	2/1943	Yuill	D21/226
D. 278,925	5/1985	Scheller	D21/226
D. 346,633	5/1994	Conte	D21/226
2,145,219	1/1939	Burton	D21/226

The broken line showing of the boot in FIG. 1 is for illustrative purposes only and forms no part of the claimed design.

1 Claim, 2 Drawing Sheets



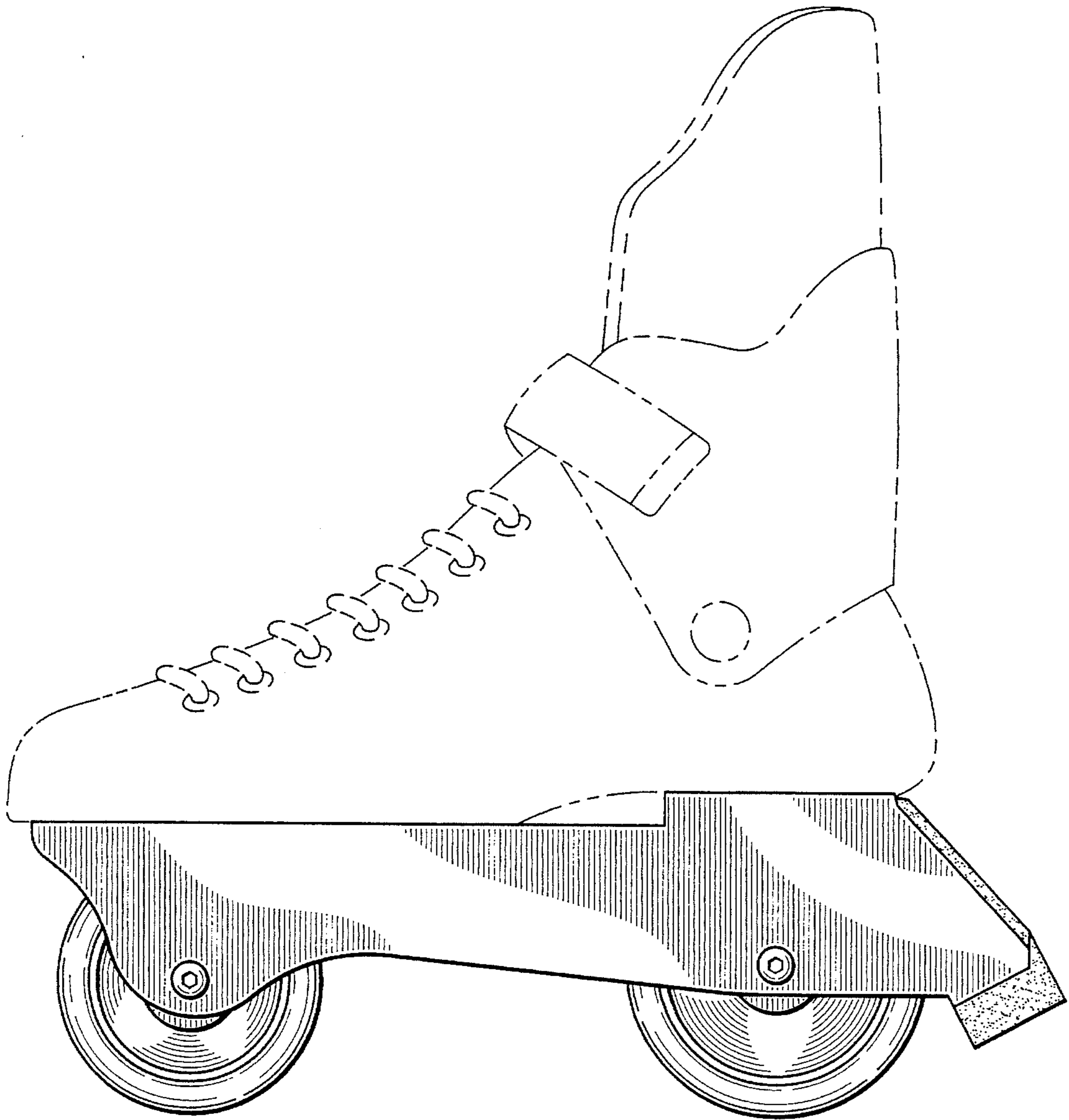


FIG. 1

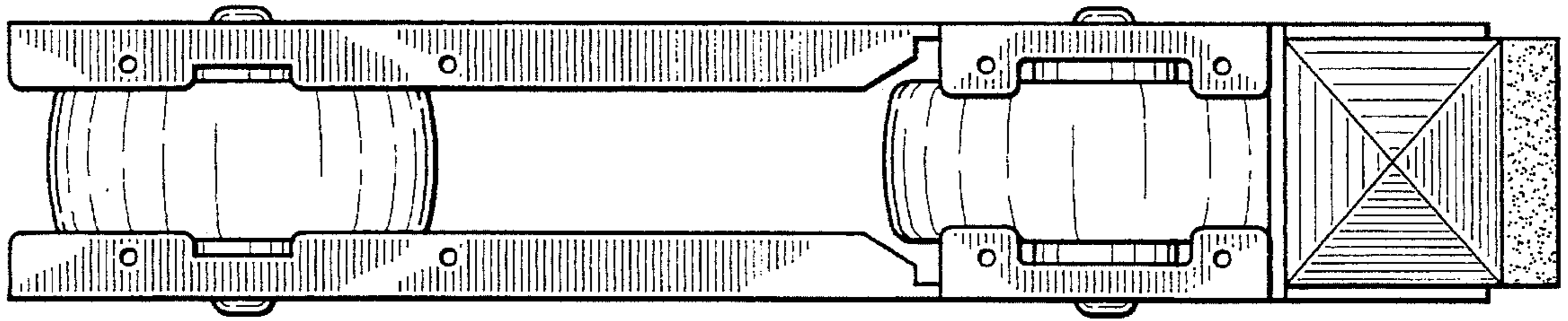


FIG. 2

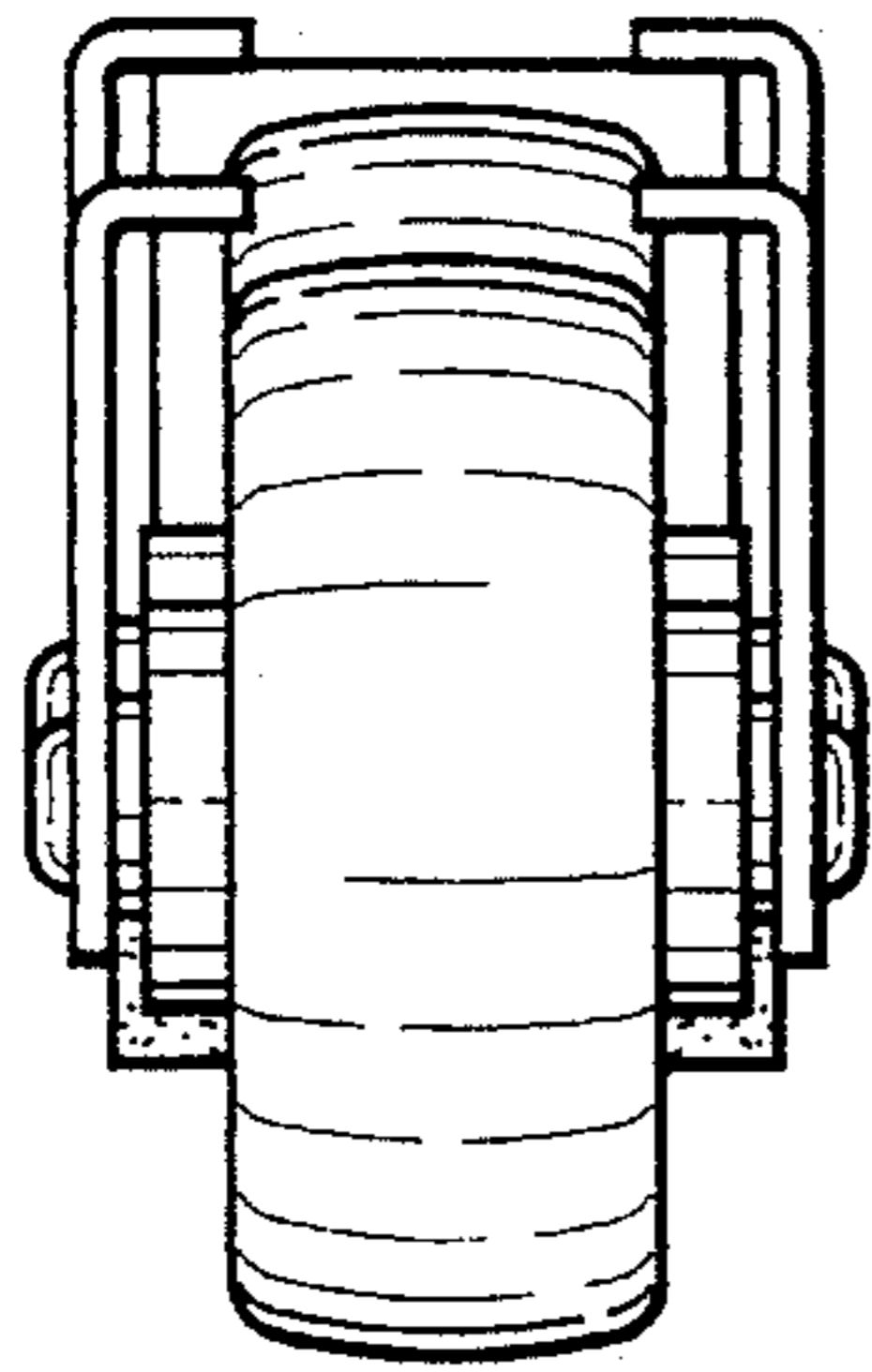


FIG. 3

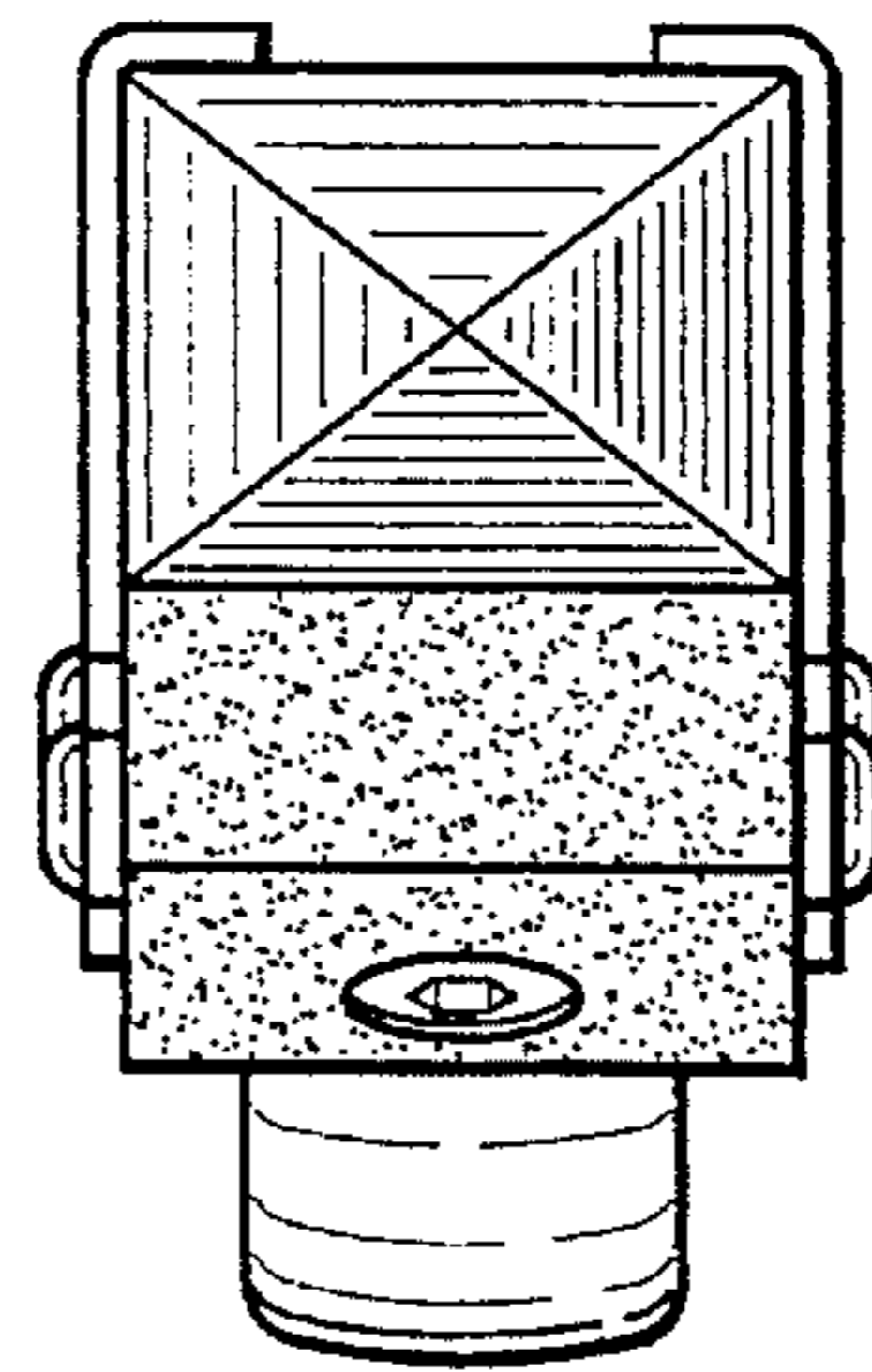


FIG. 4

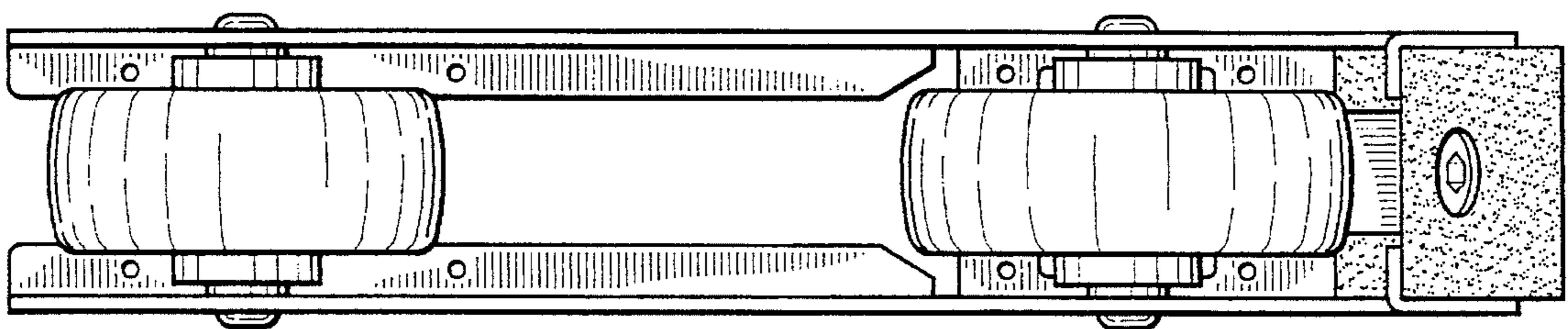


FIG. 5