



US00D363102S

United States Patent [19]

[11] Patent Number: **Des. 363,102**

Wood

[45] Date of Patent: ****Oct. 10, 1995**

[54] GOLF CLUB HEAD

[75] Inventor: **Donald C. Wood**, Carlsbad, Calif.

[73] Assignee: **Plop Golf Co.**, Carlsbad, Calif.

[**] Term: **14 Years**

[21] Appl. No.: **30,912**

[22] Filed: **Nov. 14, 1994**

[52] U.S. Cl. **D21/219**

[58] Field of Search **D21/217-219;**
273/167-175

OTHER PUBLICATIONS

Golf World; Jun. 20, 1986; p. 53; Model No. 3 Callaway Putter.

Primary Examiner—Terry A. Wallace
Assistant Examiner—Mitchell I. Siegel
Attorney, Agent, or Firm—John R. Duncan; Frank D. Gil-
liam

CLAIM

[57] The ornamental design for a golf club head, as shown and described.

DESCRIPTION

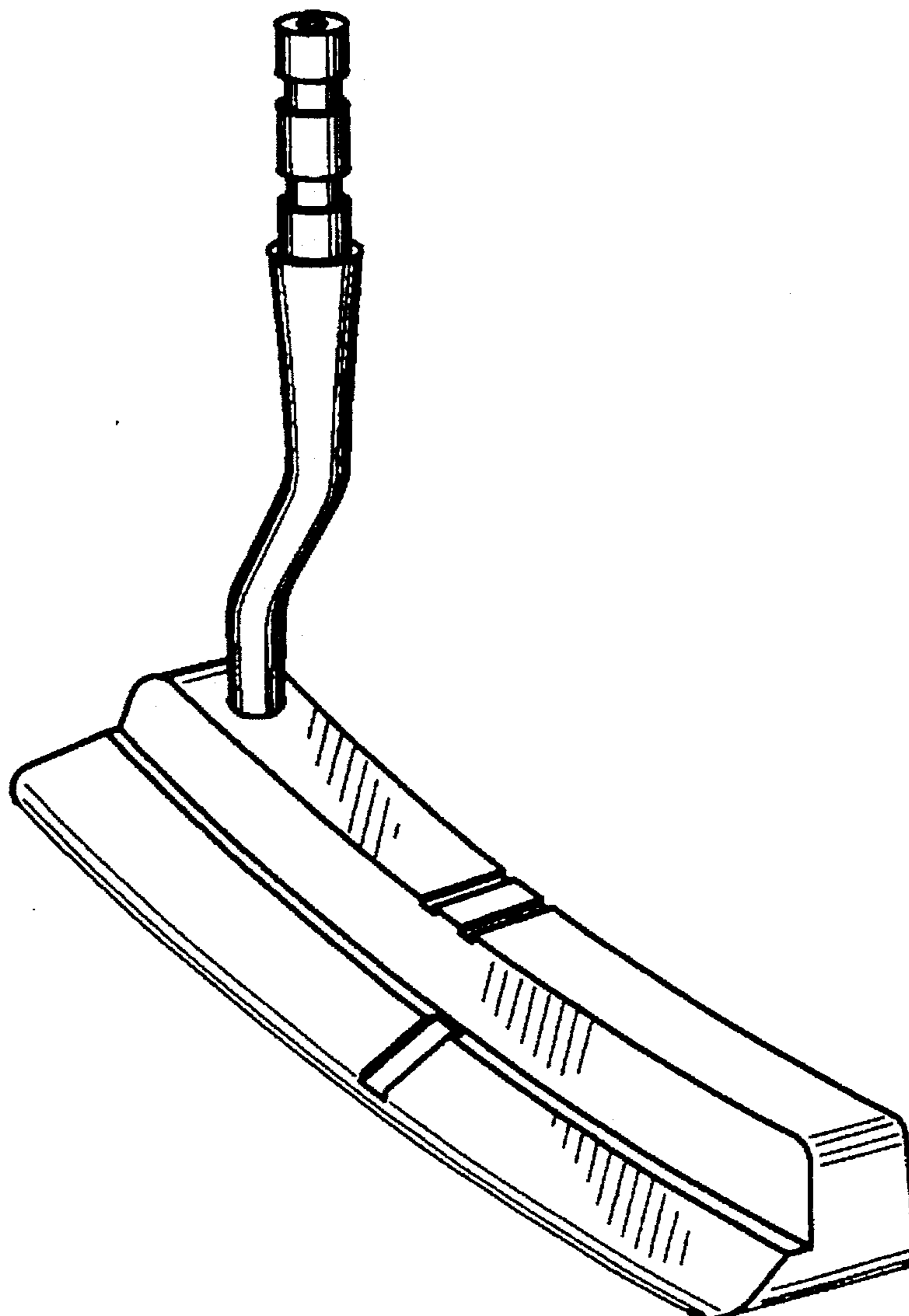
FIG. 1 is a rear perspective view of a golf club head showing my new design;
FIG. 2 is a bottom plan view thereof;
FIG. 3 is a front elevational view thereof; and,
FIG. 4 is a right side elevational view thereof.

[56] References Cited

U.S. PATENT DOCUMENTS

D. 234,785	4/1975	Mills	D21/217
D. 303,825	10/1989	Burns	D21/217
4,927,144	5/1990	Stormon	273/169 X
5,377,987	1/1995	Irvin, Jr.	273/167 A X

1 Claim, 1 Drawing Sheet



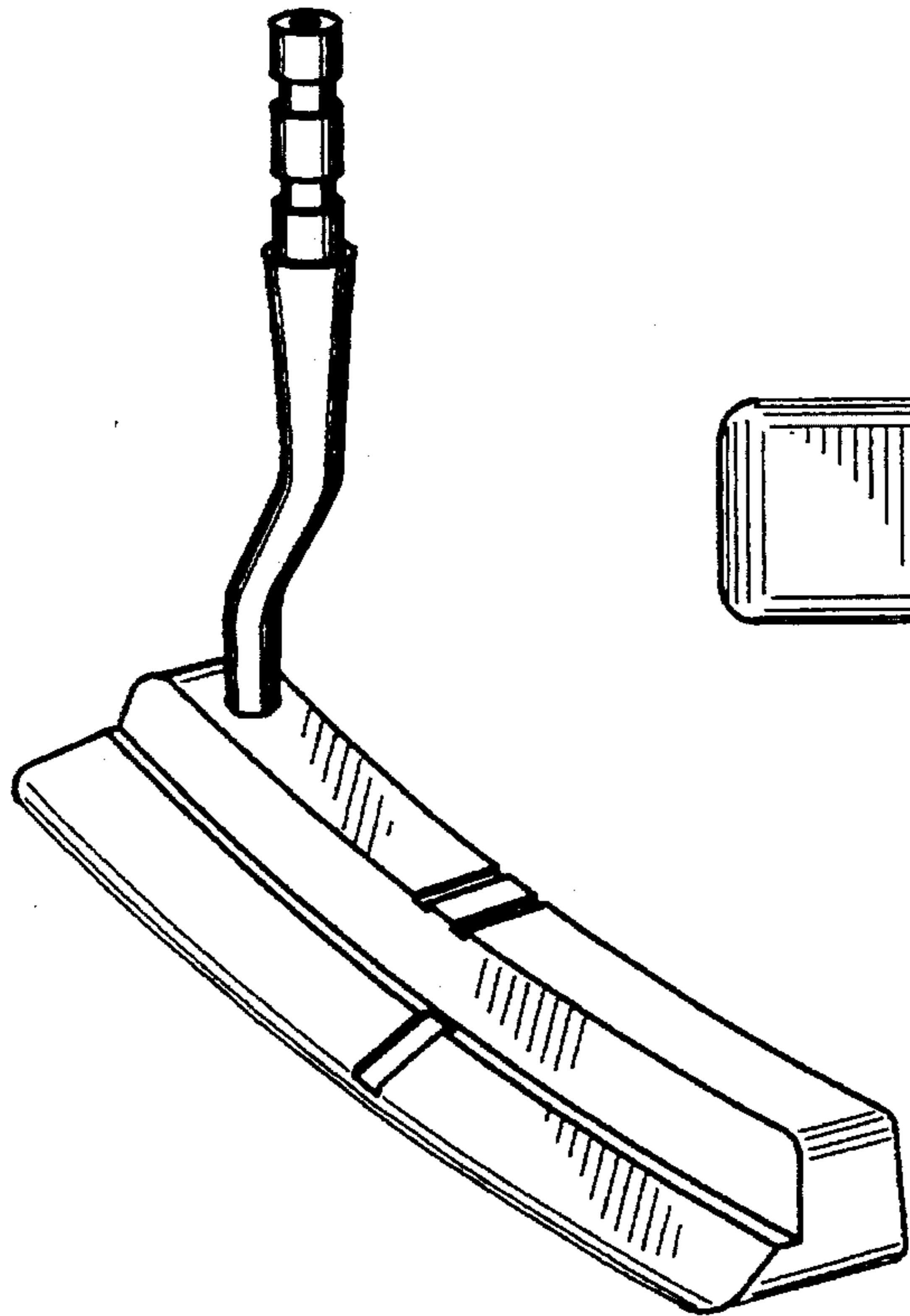


FIGURE 1

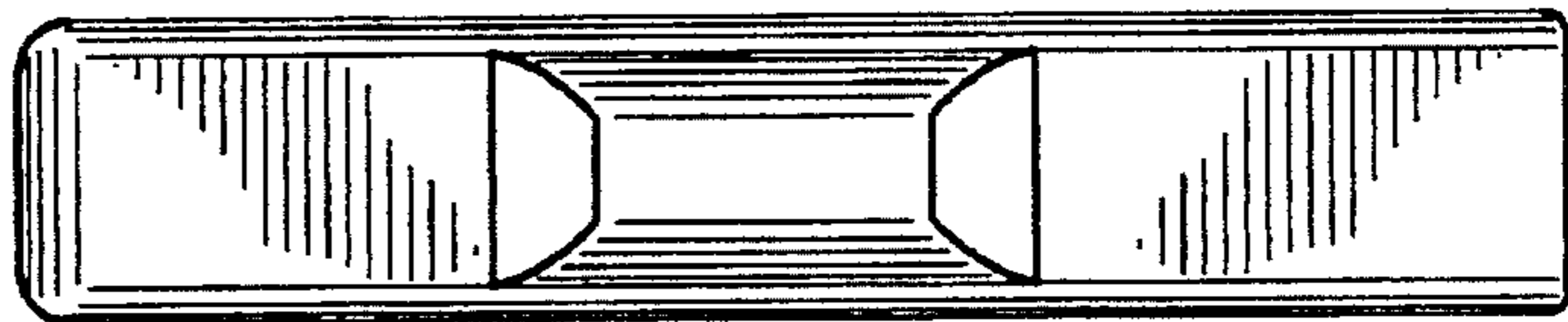


FIGURE 2

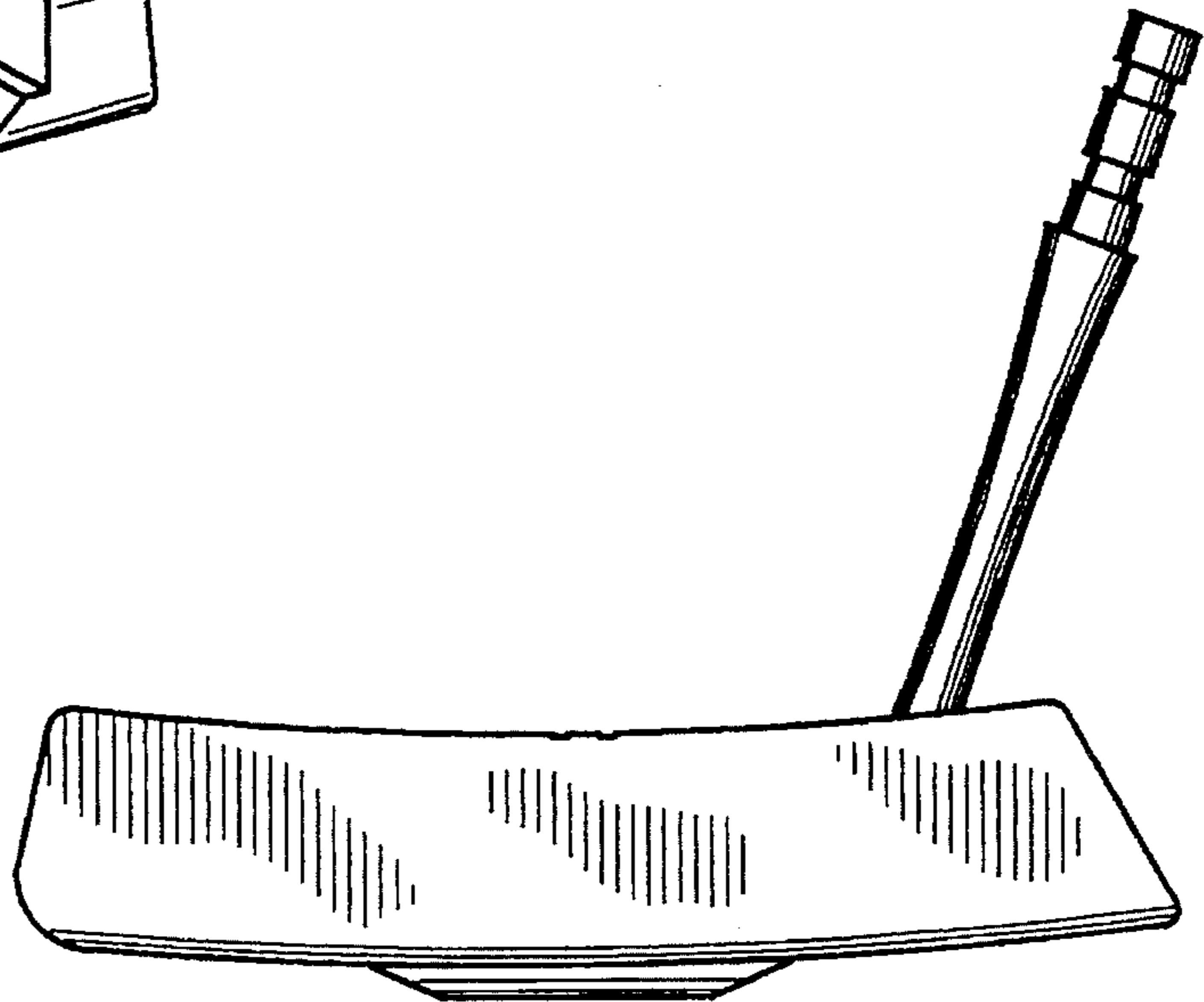


FIGURE 3

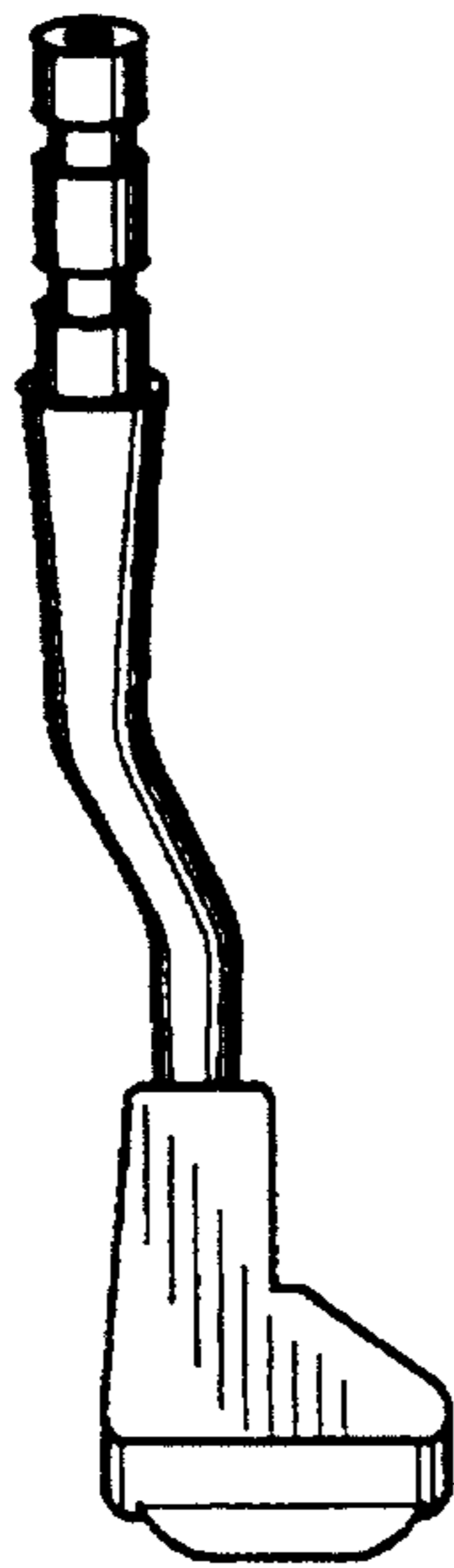


FIGURE 4