



US00D363101S

# United States Patent [19]

[11] Patent Number: **Des. 363,101**

**Sturm**

[45] Date of Patent: **\*\*Oct. 10, 1995**

## [54] GOLF PUTTER HEAD

## OTHER PUBLICATIONS

[76] Inventor: **Ernst F. Sturm**, 9612 Magnolia Dr., Hillsboro, Mo. 63050

Callaway Catalog; 1992; p. 18; putter on left.

[\*\*] Term: **14 Years**

*Primary Examiner*—Theodore M. Shooman  
*Assistant Examiner*—Mitchell I. Siegel  
*Attorney, Agent, or Firm*—Henry W. Cummings

[21] Appl. No.: **16,203**

## [57] CLAIM

[22] Filed: **Dec. 10, 1993**

The ornamental design for a golf putter head, as shown and described.

[52] U.S. Cl. .... **D21/219**

[58] Field of Search ..... D21/217-219;  
273/164.1, 167-175

## DESCRIPTION

## [56] References Cited

FIG. 1 is a rear perspective view of the golf putter head showing my design;

### U.S. PATENT DOCUMENTS

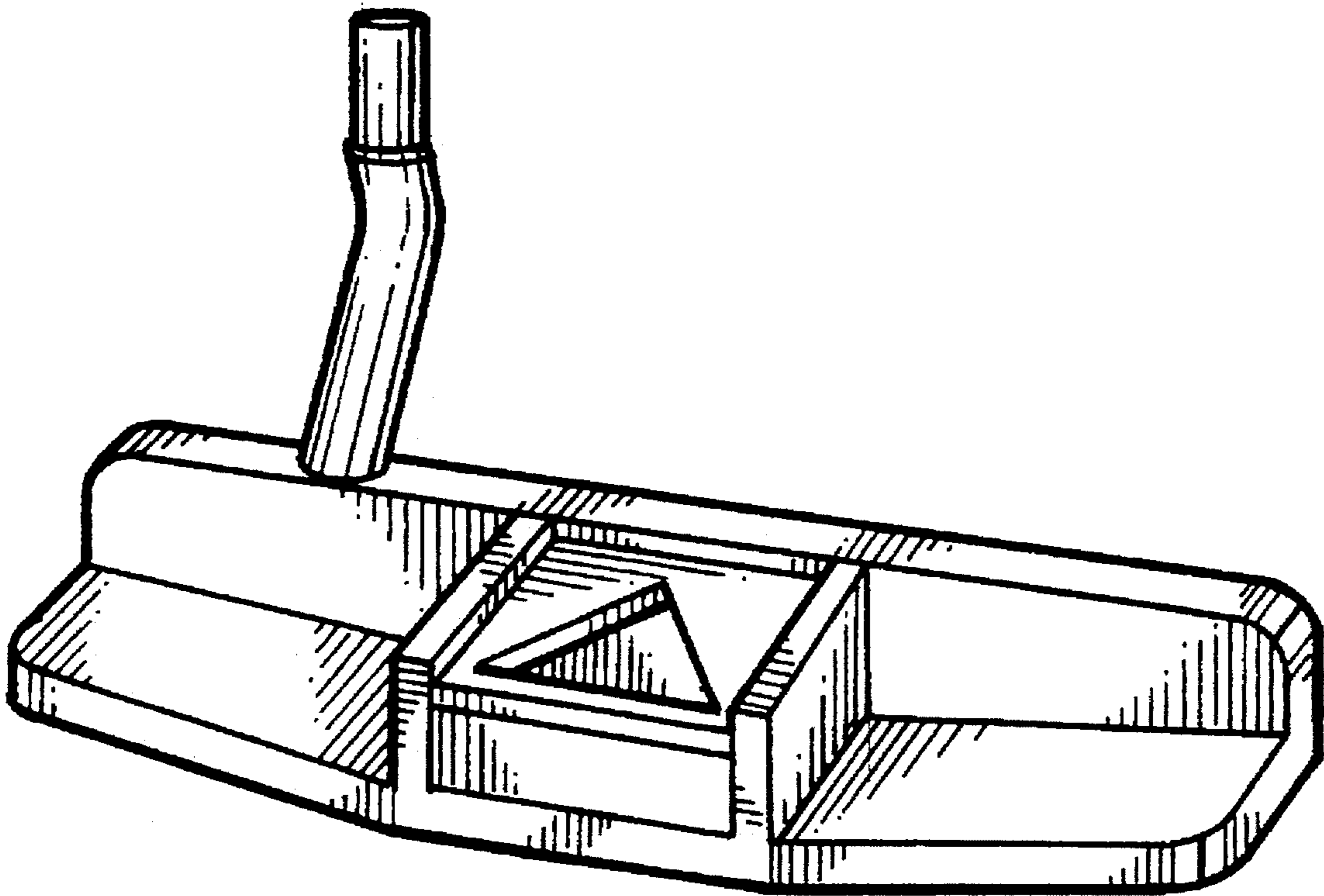
FIG. 2 is a bottom, front perspective view thereof;

D. 240,249	6/1976	Chellman	.....	D21/219
D. 240,445	7/1976	Becker	.....	D21/219
D. 248,783	8/1978	Long	.....	D21/217
D. 299,045	12/1988	Antonius	.....	D21/219
D. 318,088	7/1991	Antonius	.....	D21/219
D. 318,089	7/1991	Antonius	.....	D21/219

FIG. 3 is a right end view thereof, the undisclosed opposite side being a mirror image; and,

FIG. 4 is a rear elevation view thereof.

**1 Claim, 1 Drawing Sheet**



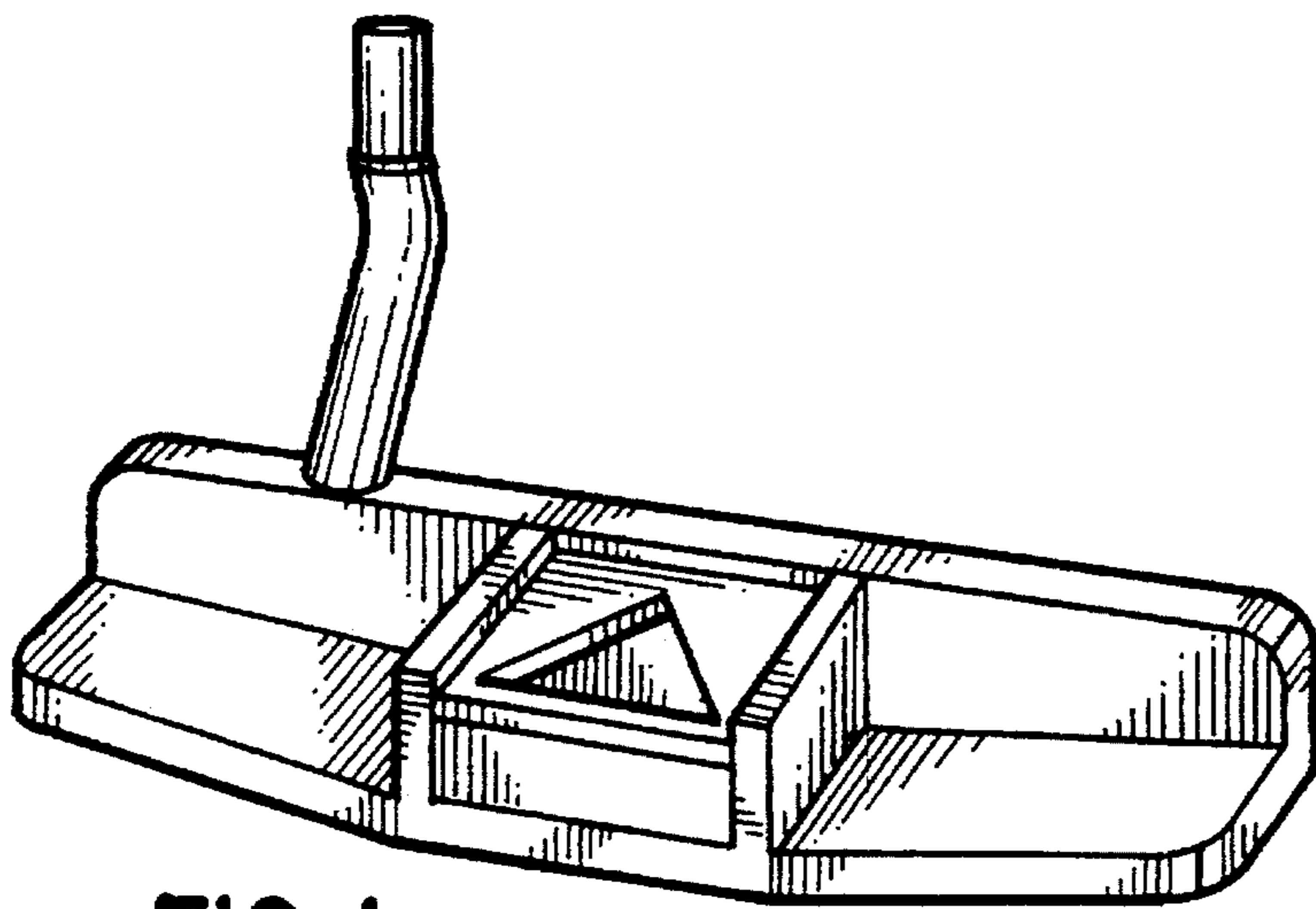


FIG. 1

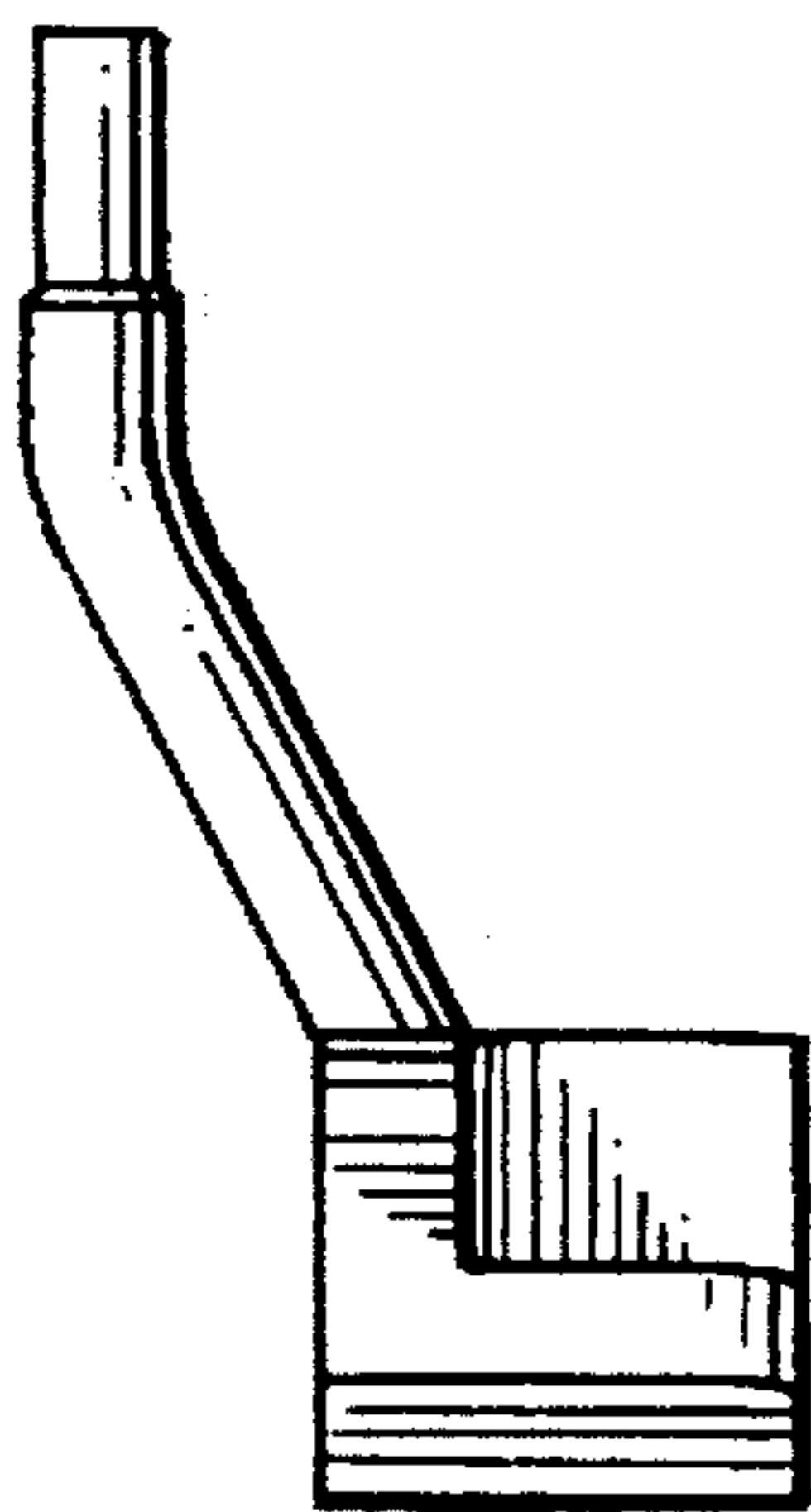


FIG. 3

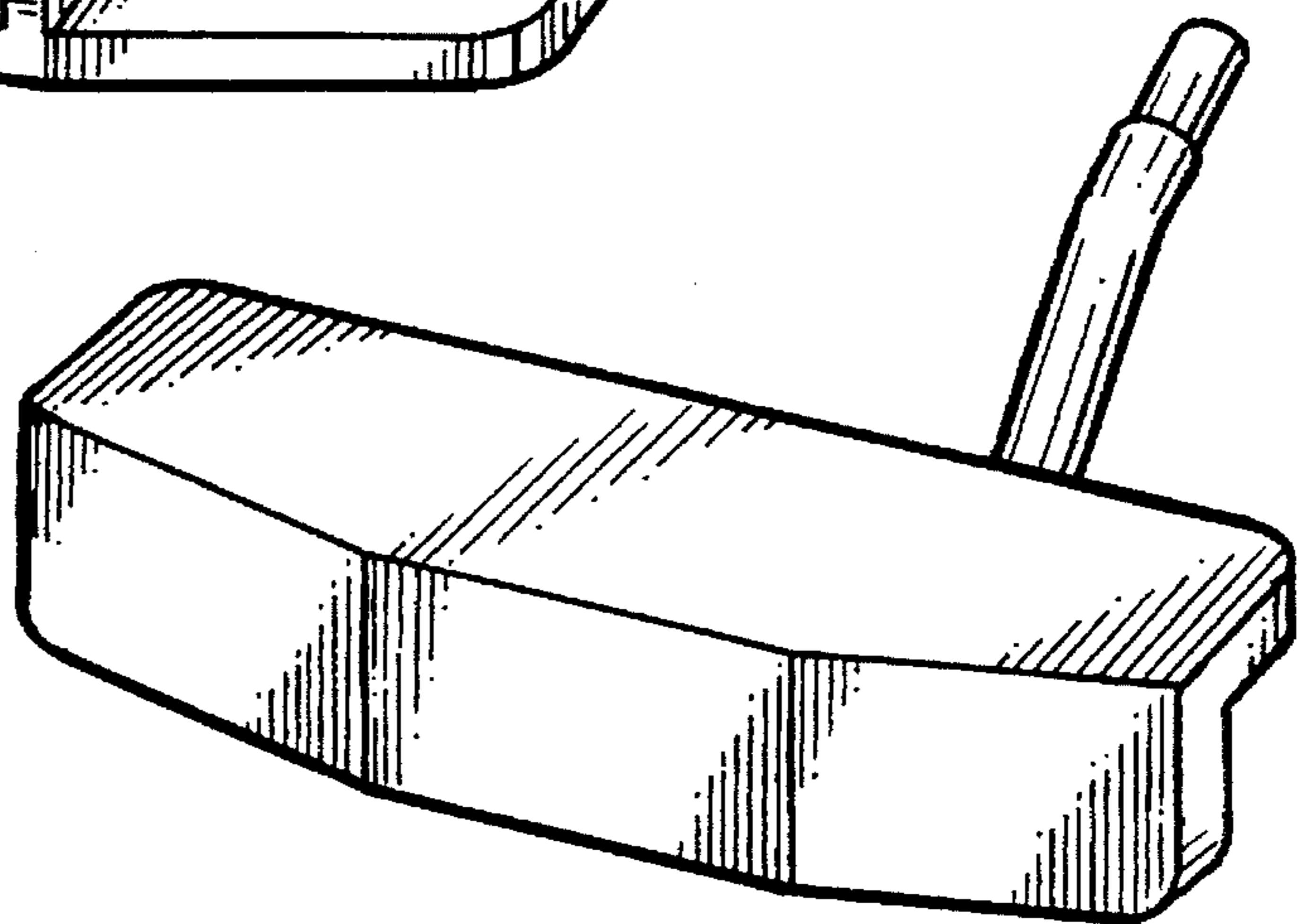


FIG. 2

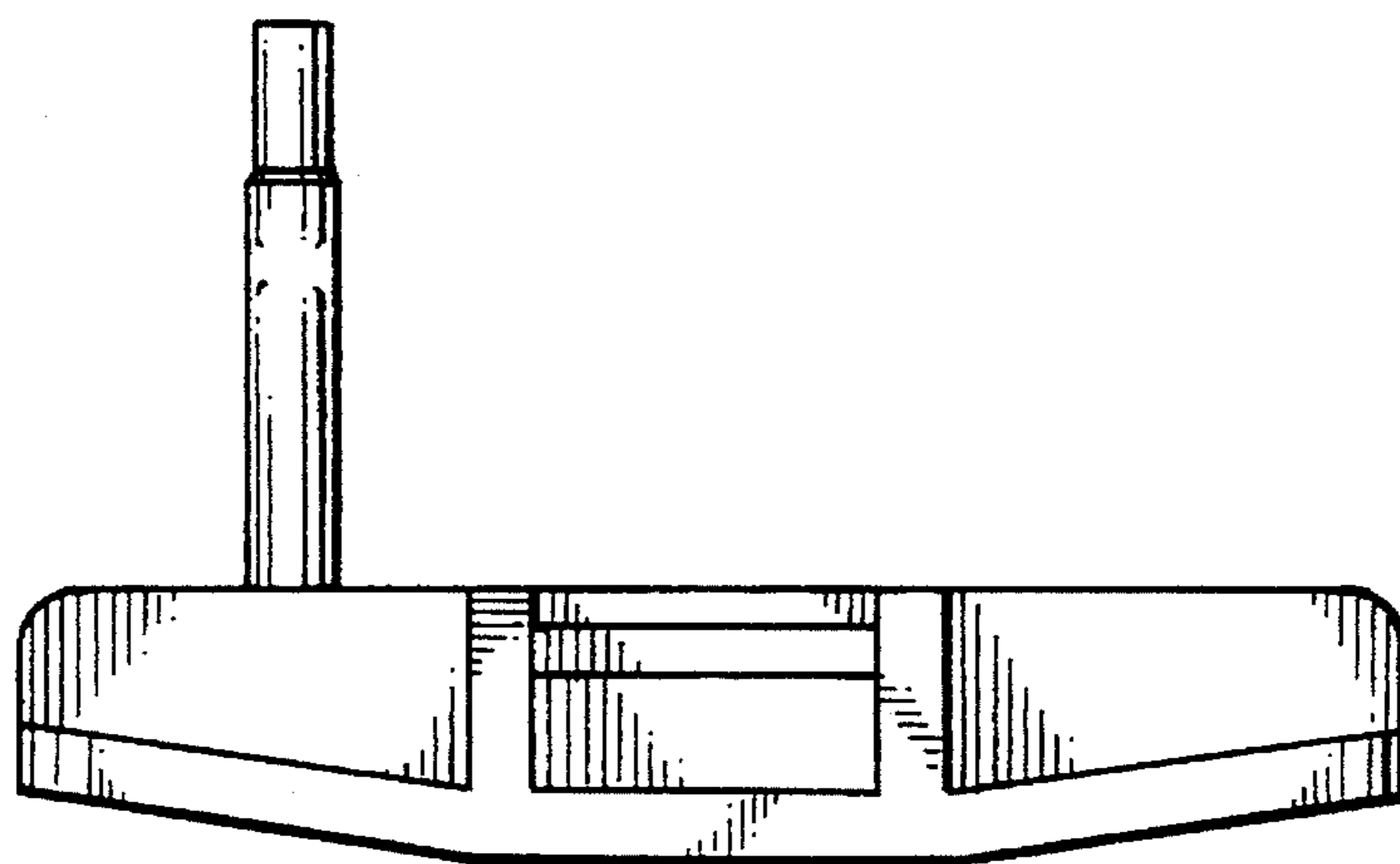


FIG. 4