



US00D363097S

# United States Patent [19]

[11] Patent Number: **Des. 363,097**

Tsushi et al.

[45] Date of Patent: **\*\*Oct. 10, 1995**

[54] **STAIR CLIMBER EXERCISE MACHINE**

5,058,882 10/1991 Dalebout et al. .... 482/53  
5,336,143 8/1994 Wu ..... 482/52

[75] Inventors: **Masao Tsushi, Sakai; Takashi Ueda,**  
Izumi, both of Japan

### OTHER PUBLICATIONS

[73] Assignee: **Cateye Co., Ltd.,** Osaka, Japan

Service Merchandise Catalog, 1993, p. 498, Stair Climber Exercisers.

[\*\*] Term: **14 Years**

*Primary Examiner*—Prabhakar G. Deshmukh

[21] Appl. No.: **26,527**

*Assistant Examiner*—Philip Hyder

[22] Filed: **Jul. 29, 1994**

*Attorney, Agent, or Firm*—Banner & Allegretti, Ltd.

[30] **Foreign Application Priority Data**

### [57] CLAIM

Jul. 14, 1994 [JP] Japan ..... 6-21265

The ornamental design for a stair climber exercise machine, as shown.

[52] **U.S. Cl.** ..... **D21/195**

### DESCRIPTION

[58] **Field of Search** ..... D21/191, 192,  
D21/193, 194, 195; 482/51, 52, 53

FIG. 1 is a front view of a stair climber exercise machine showing our new design;

FIG. 2 is a rear view thereof;

FIG. 3 is a top plan view thereof;

FIG. 4 is a bottom plan view thereof;

FIG. 5 is a right side view thereof;

FIG. 6 is a front perspective view thereof; and,

FIG. 7 is a rear perspective view thereof.

### [56] References Cited

#### U.S. PATENT DOCUMENTS

D. 325,235	4/1992	Wang	.....	D21/195
D. 328,770	8/1992	Henderson et al.	.....	D21/195
D. 329,887	9/1992	Yang	.....	D21/195
D. 341,859	11/1993	Easley et al.	.....	D21/195
D. 343,879	2/1994	Koga	.....	D21/195
5,033,733	7/1991	Findlay	.....	482/52

**1 Claim, 3 Drawing Sheets**

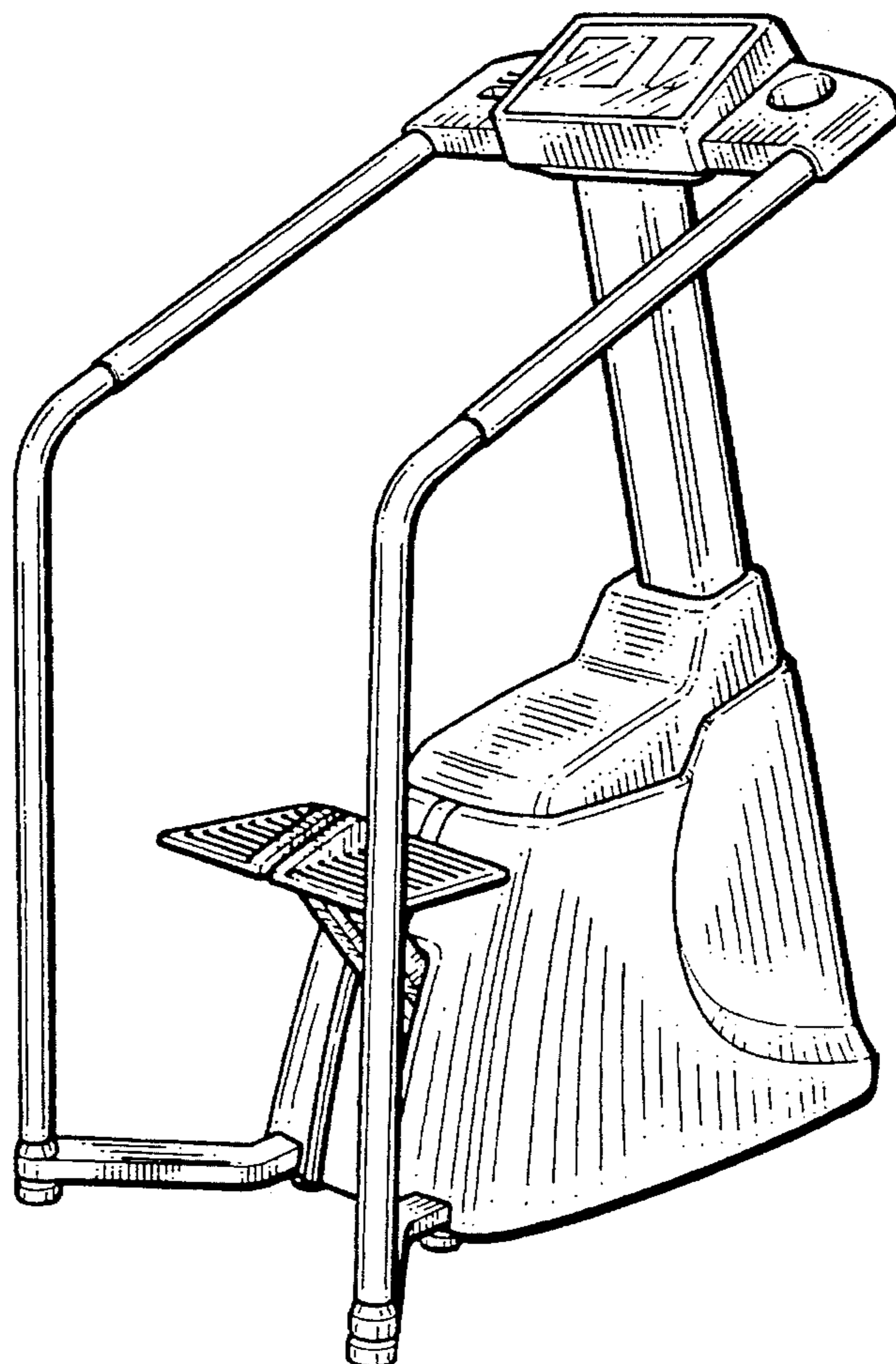


FIG. 3

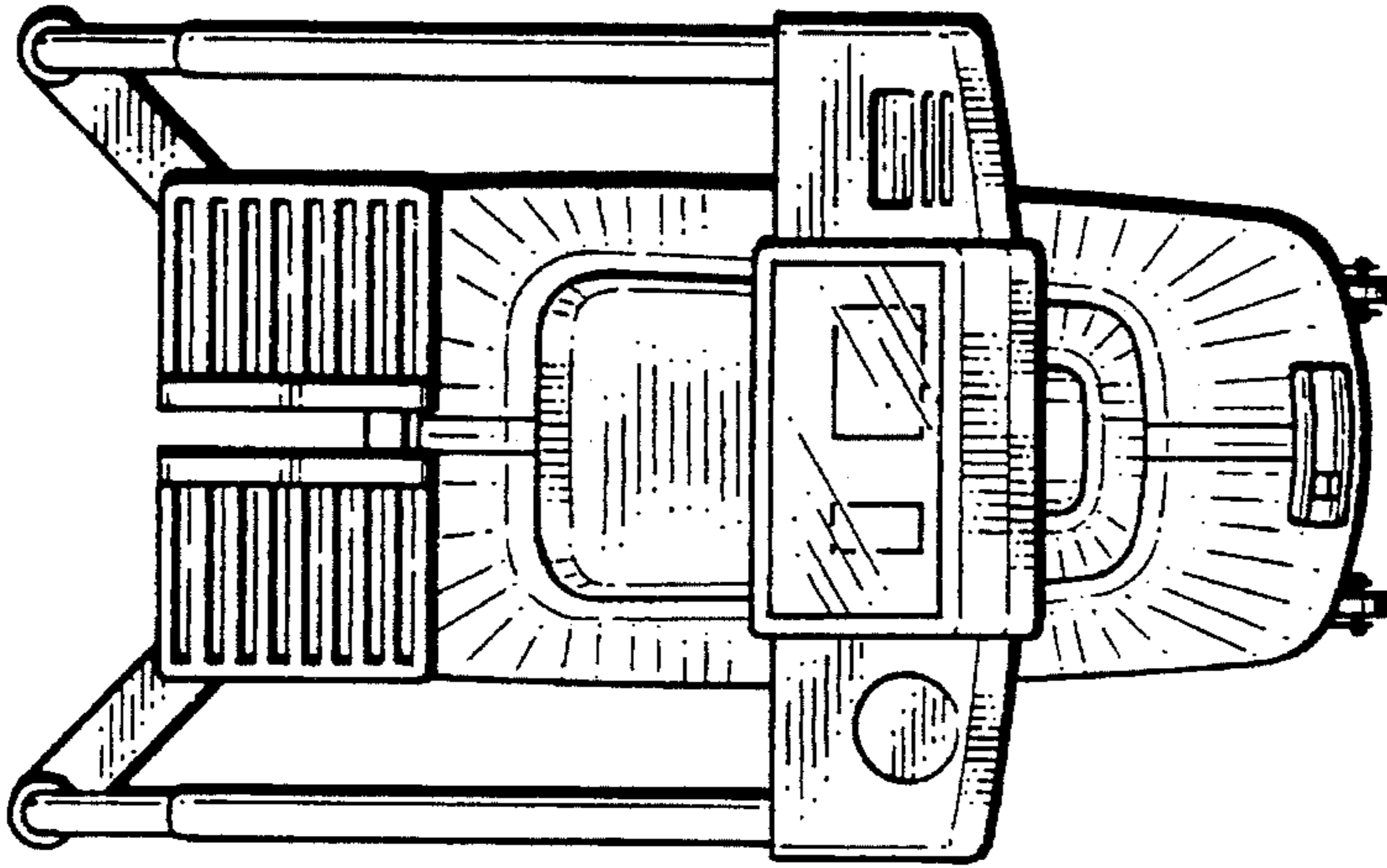


FIG. 2

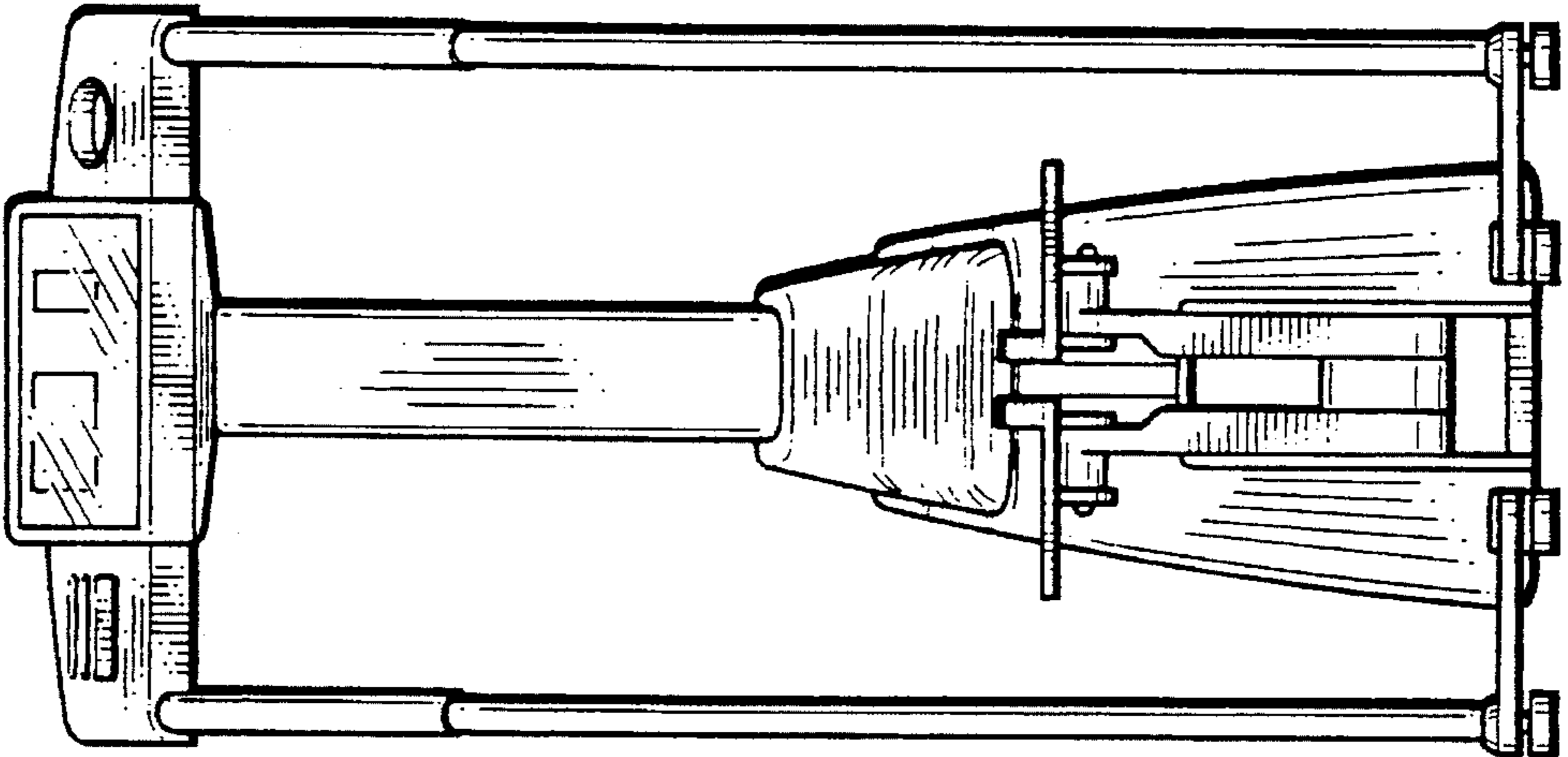


FIG. 1

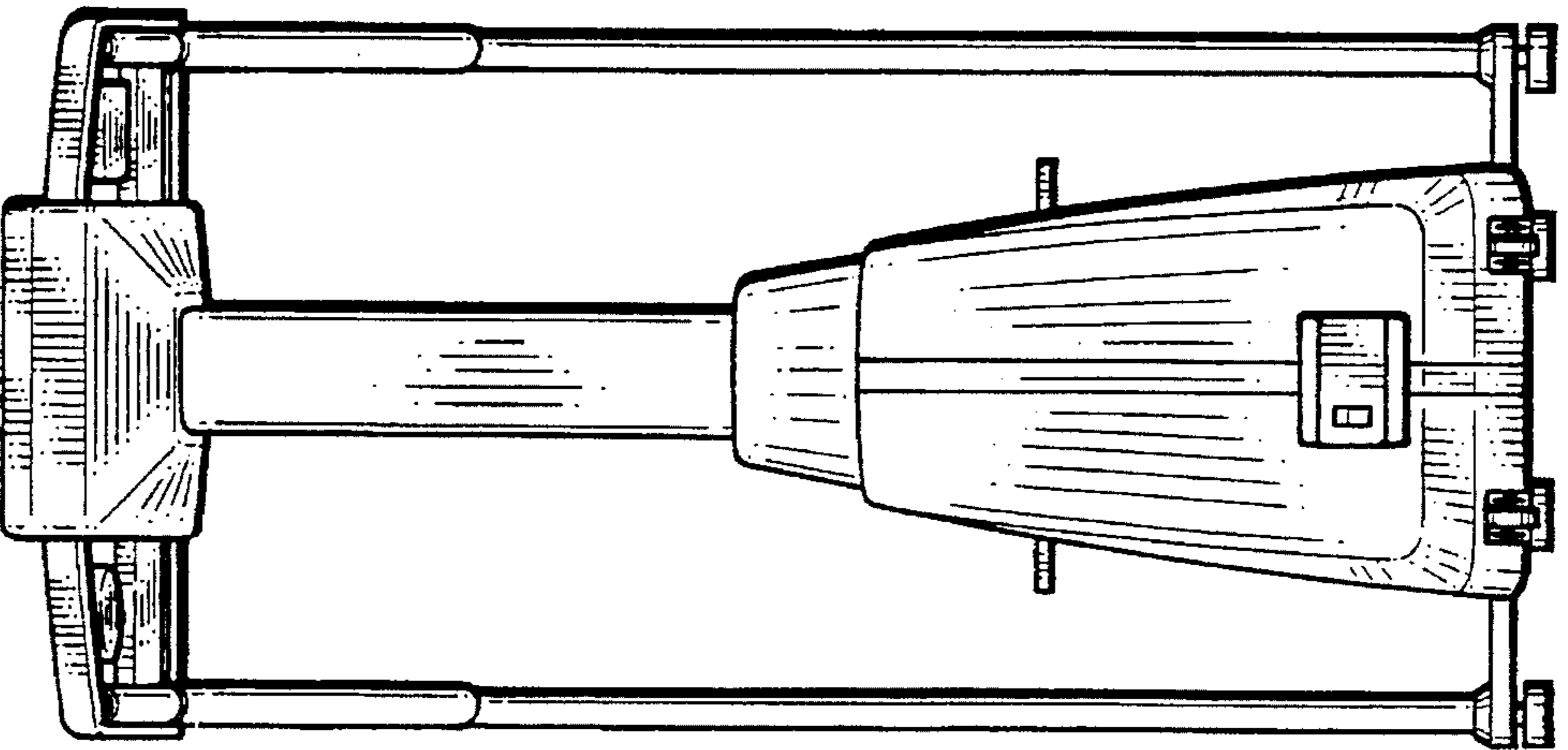


FIG. 5

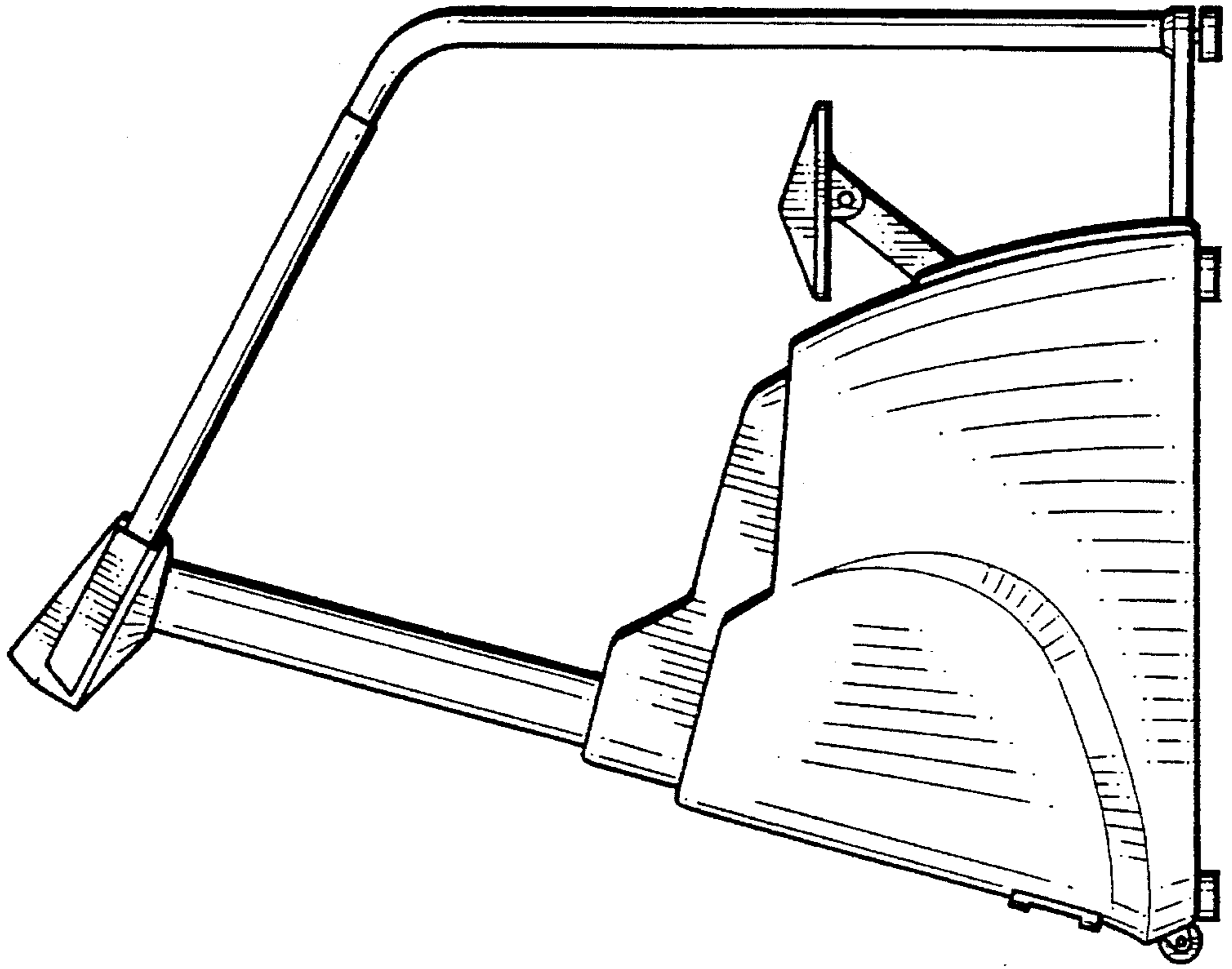


FIG. 4

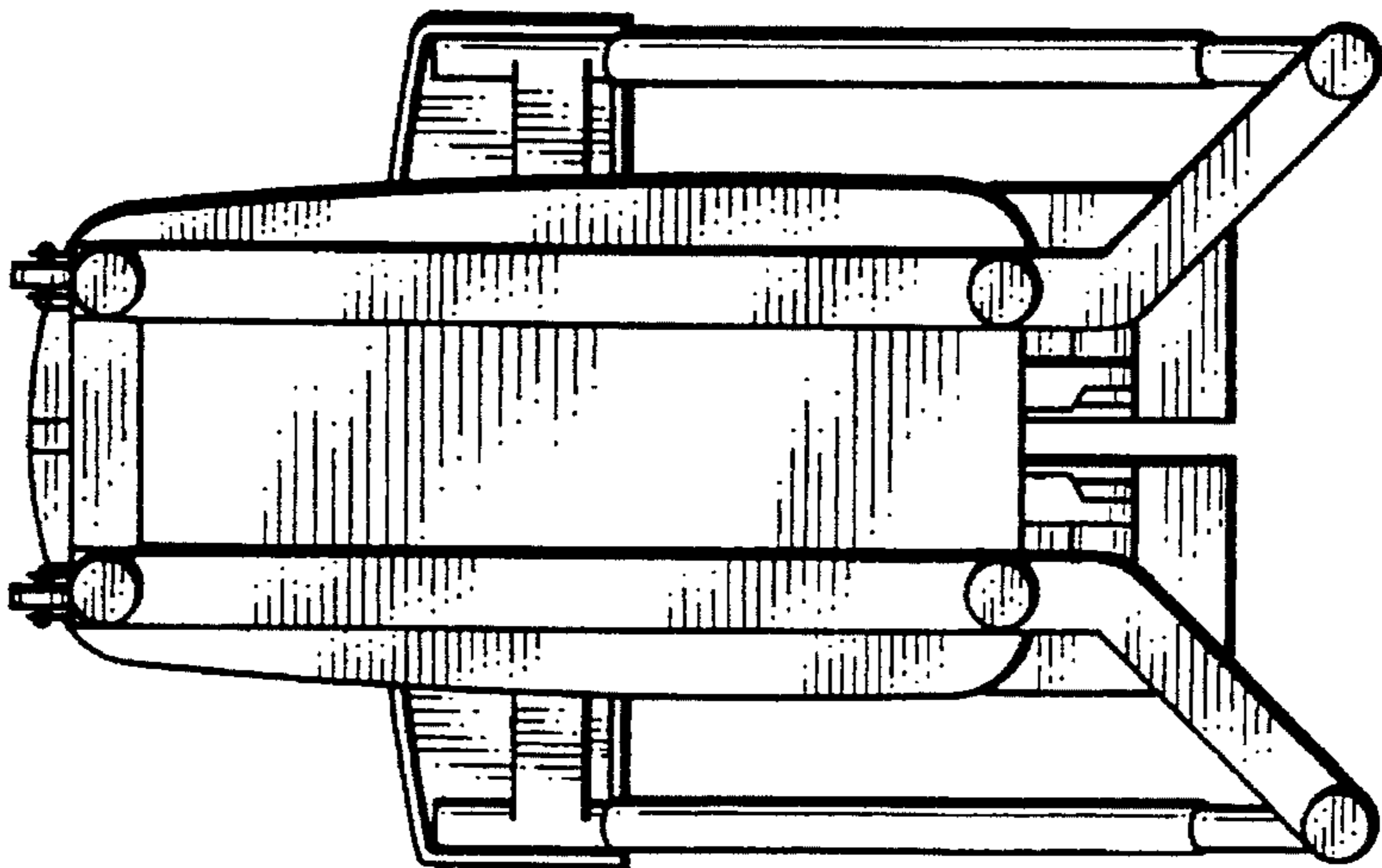


FIG. 7

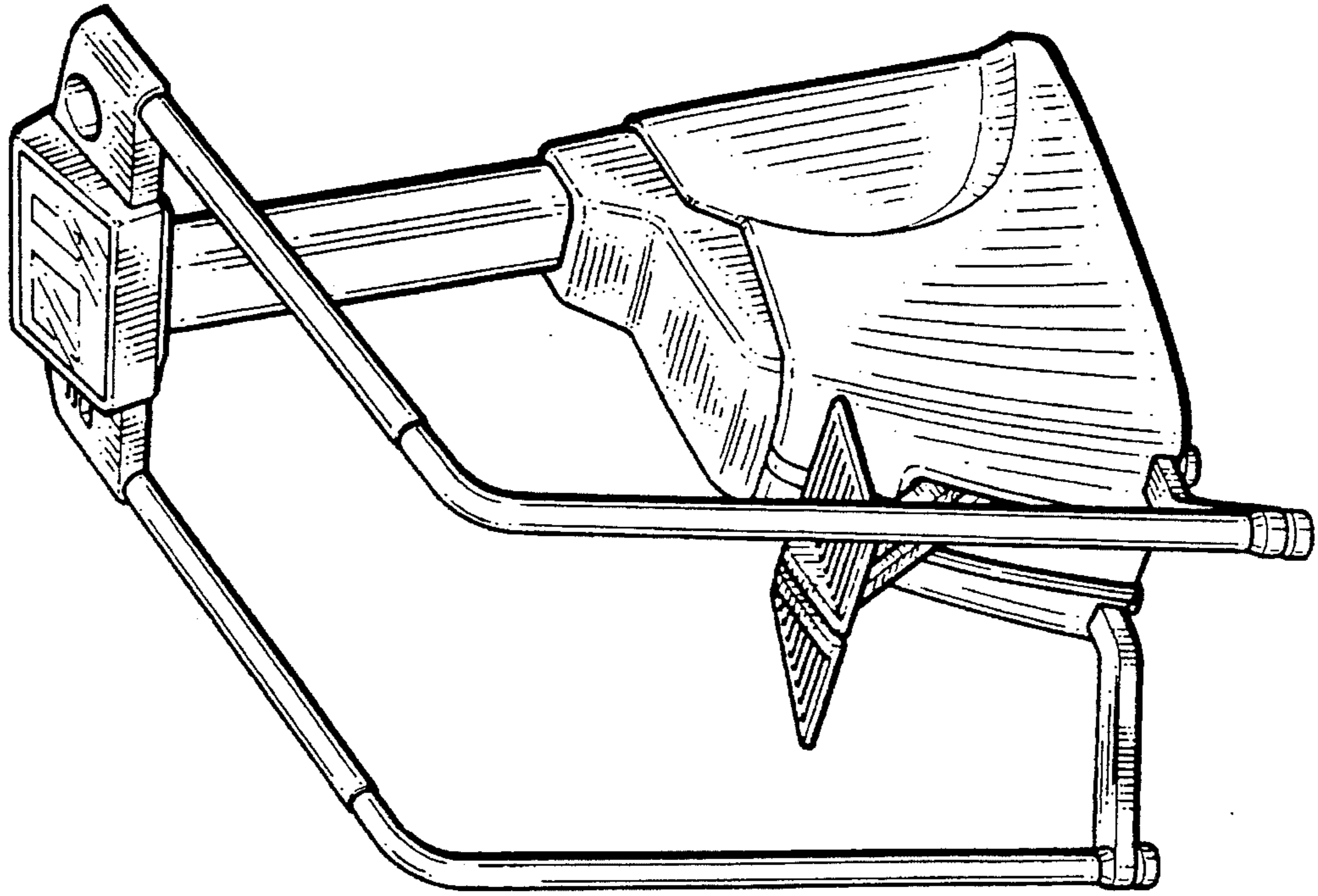


FIG. 6

