



US00D363096S

United States Patent [19]

[11] Patent Number: **Des. 363,096**

Nielsen

[45] Date of Patent: ****Oct. 10, 1995**

[54] **STAIRCASE FOR A TOY BUILDING SET**

D. 351,006	9/1994	Nielsen et al.	D21/108
3,906,659	9/1975	Walmer	446/110
4,219,960	9/1980	Walmer et al.	446/110

[75] Inventor: **Henrik K. Nielsen**, Copenhagen, Denmark

Primary Examiner—Theodore M. Shooman
Assistant Examiner—R. Barkai
Attorney, Agent, or Firm—Kane, Dalsimer, Sullivan, Kurucz, Levy, Eisele and Richard

[73] Assignee: **Interlego AG**, Baar, Switzerland

[**] Term: **14 Years**

[57] CLAIM

[21] Appl. No.: **29,135**

The ornamental design for a staircase for a toy building set, as shown and described.

[22] Filed: **Sep. 29, 1994**

[52] U.S. Cl. **D21/108**

DESCRIPTION

[58] **Field of Search** D21/108, 109, D21/114, 141; D25/52, 58, 62, 63; 446/104, 110, 121, 128, 476, 479

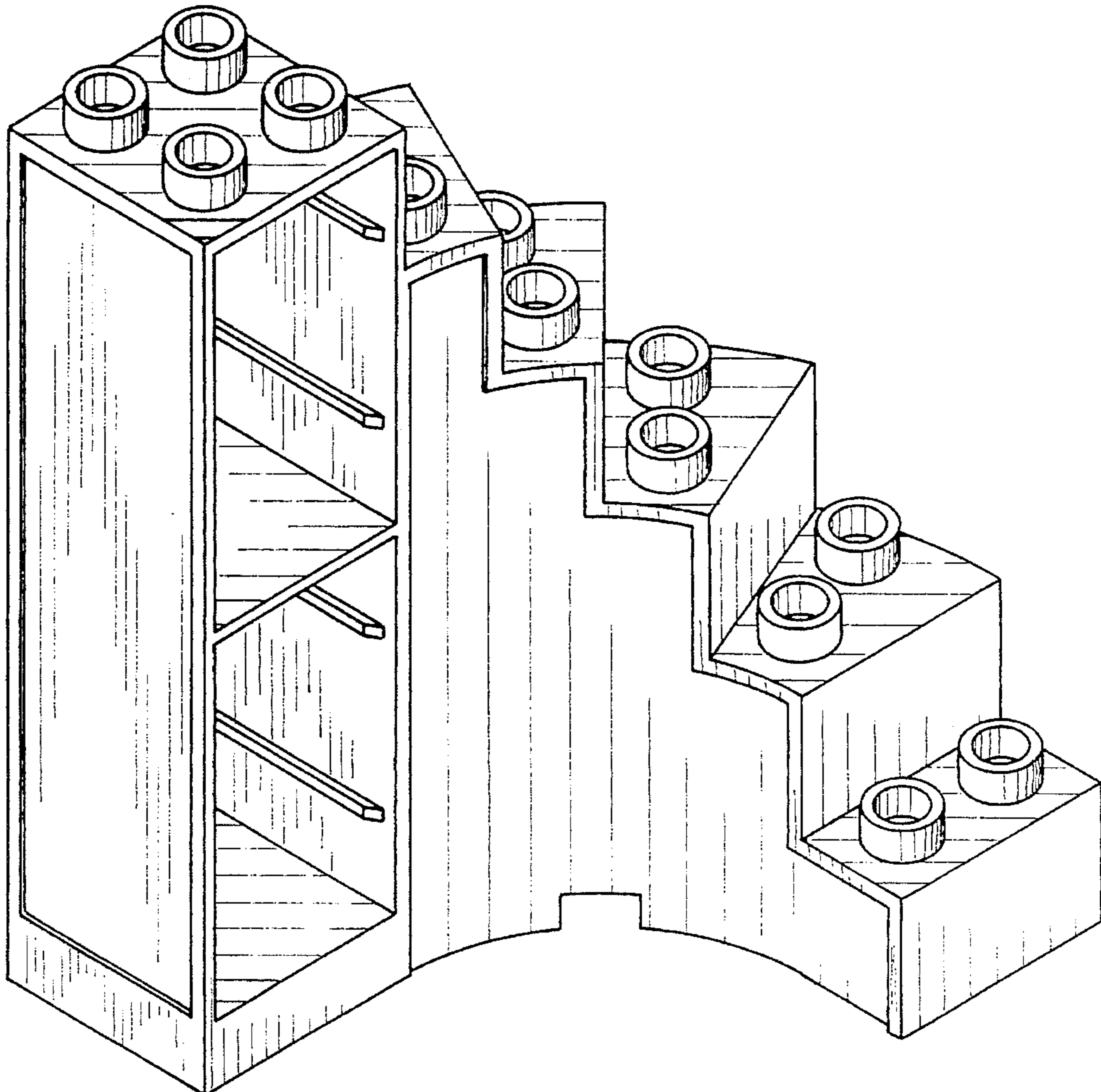
FIG. 1 is a top perspective view of the staircase for a toy building set showing my new design; FIG. 2 is a bottom perspective view thereof; FIG. 3 is a right elevational view thereof; FIG. 4 is a front elevational view thereof; FIG. 5 is a left elevational view thereof; FIG. 6 is a rear side elevational view thereof; FIG. 7 is a bottom plan view thereof; and, FIG. 8 is a top plan view thereof.

[56] References Cited

U.S. PATENT DOCUMENTS

D. 251,805	5/1979	Allmand	D25/63
D. 279,712	7/1985	Daly	D25/62
D. 285,224	8/1986	Olsen	D21/108
D. 285,325	8/1986	Berggreen	D21/108
D. 309,641	7/1990	Olsen	D21/109
D. 314,996	2/1991	Olsen	D21/109
D. 332,643	1/1993	Knudsen	D21/108

1 Claim, 5 Drawing Sheets



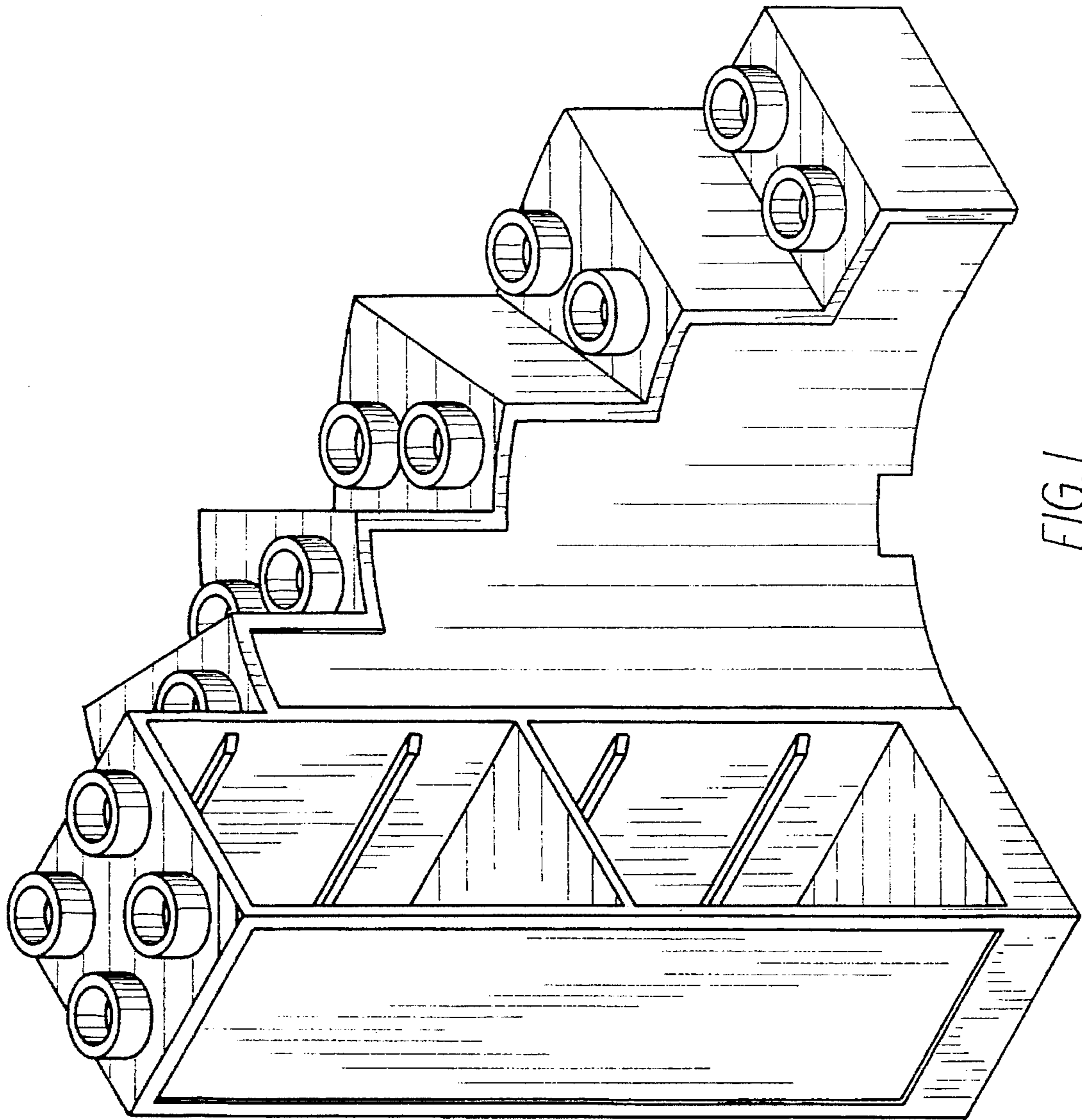


FIG. 1

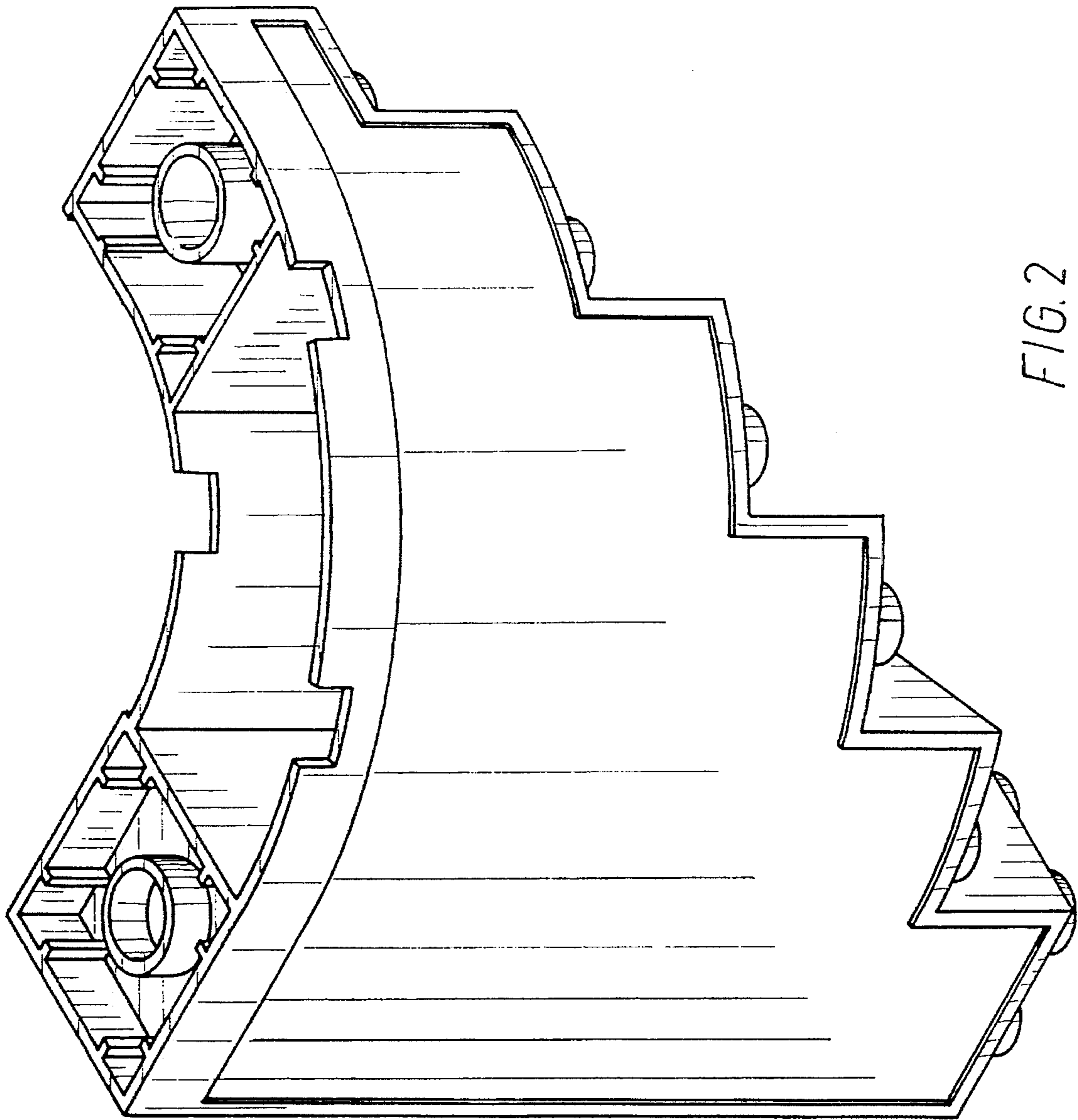




FIG. 3

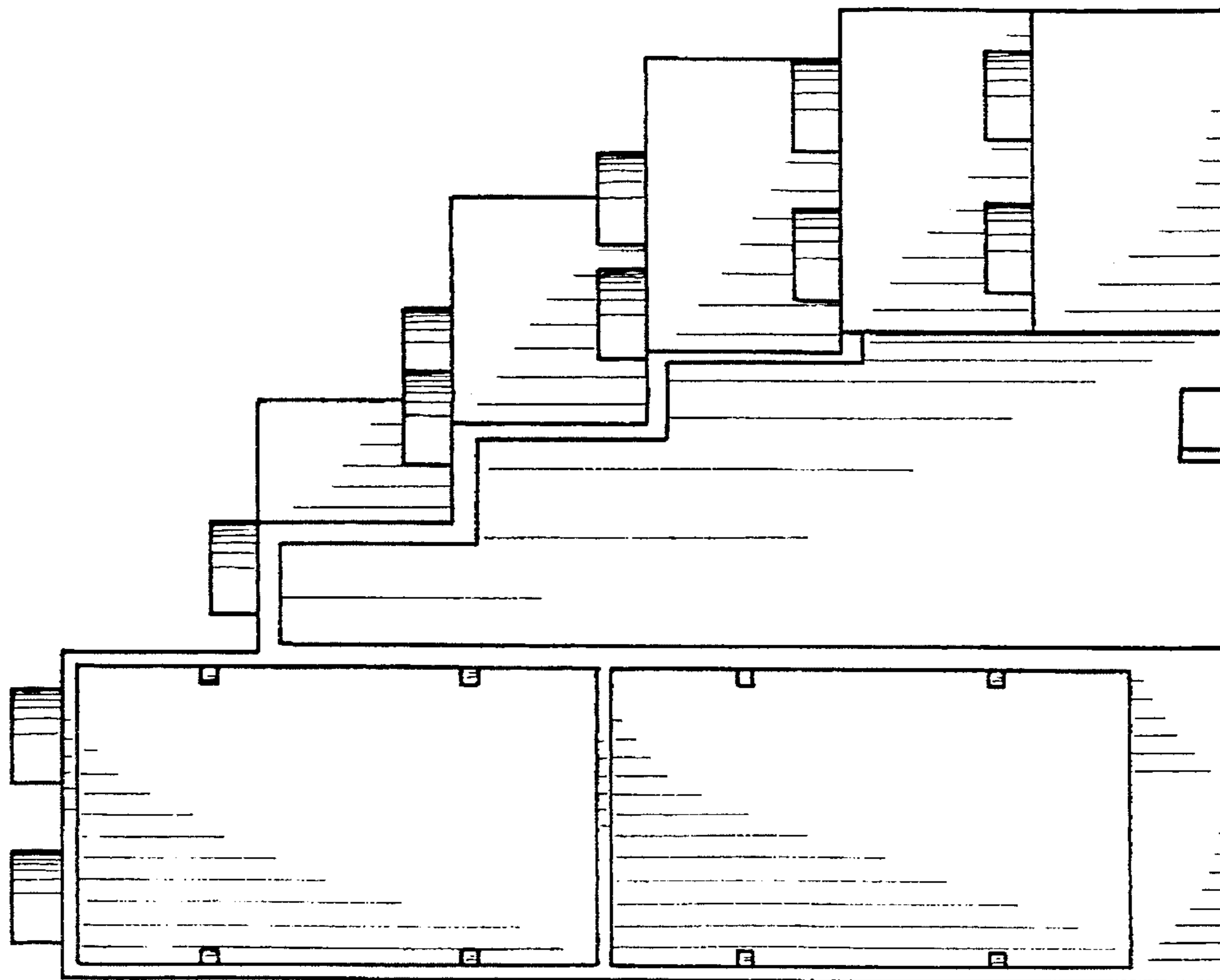


FIG. 5

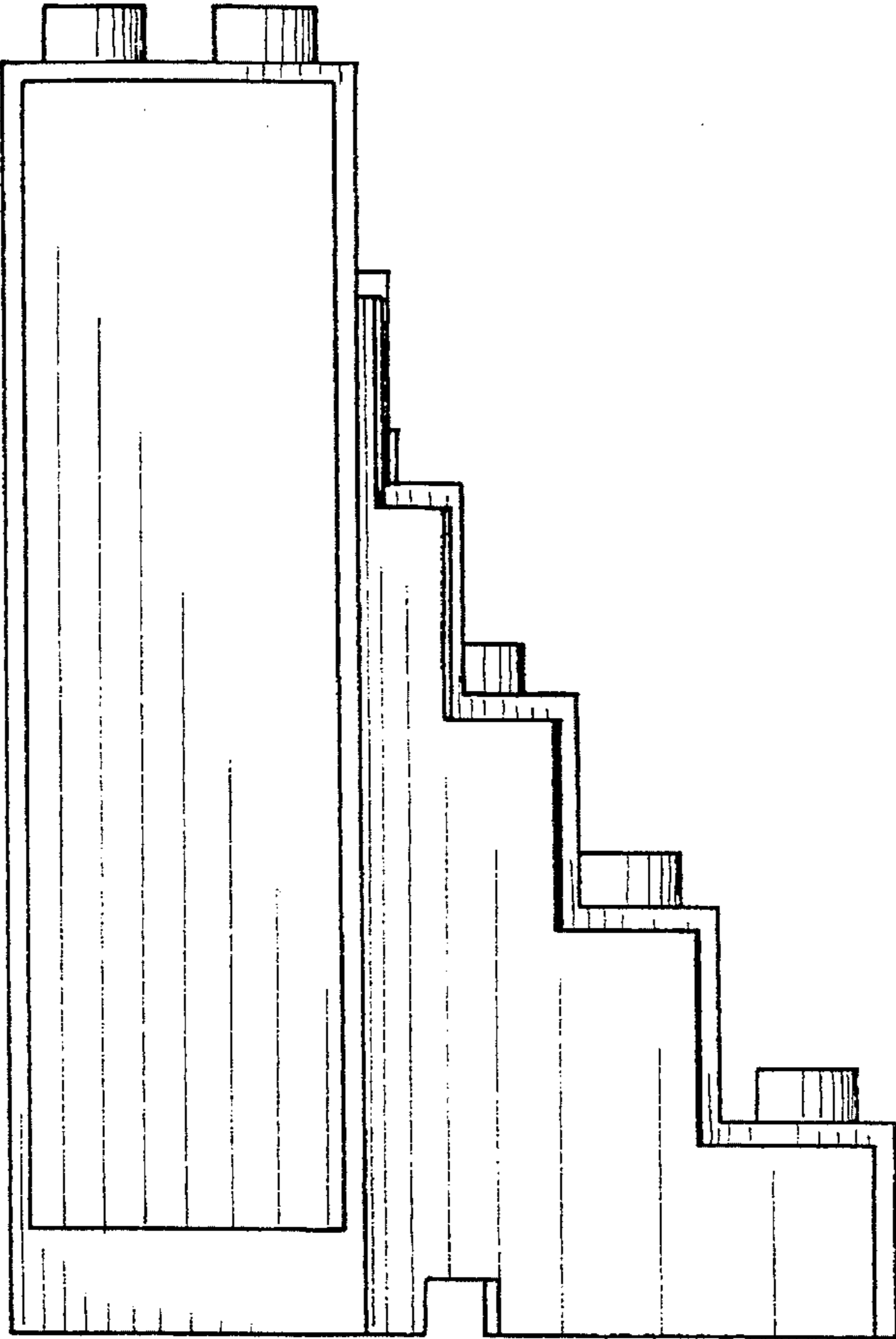


FIG. 4

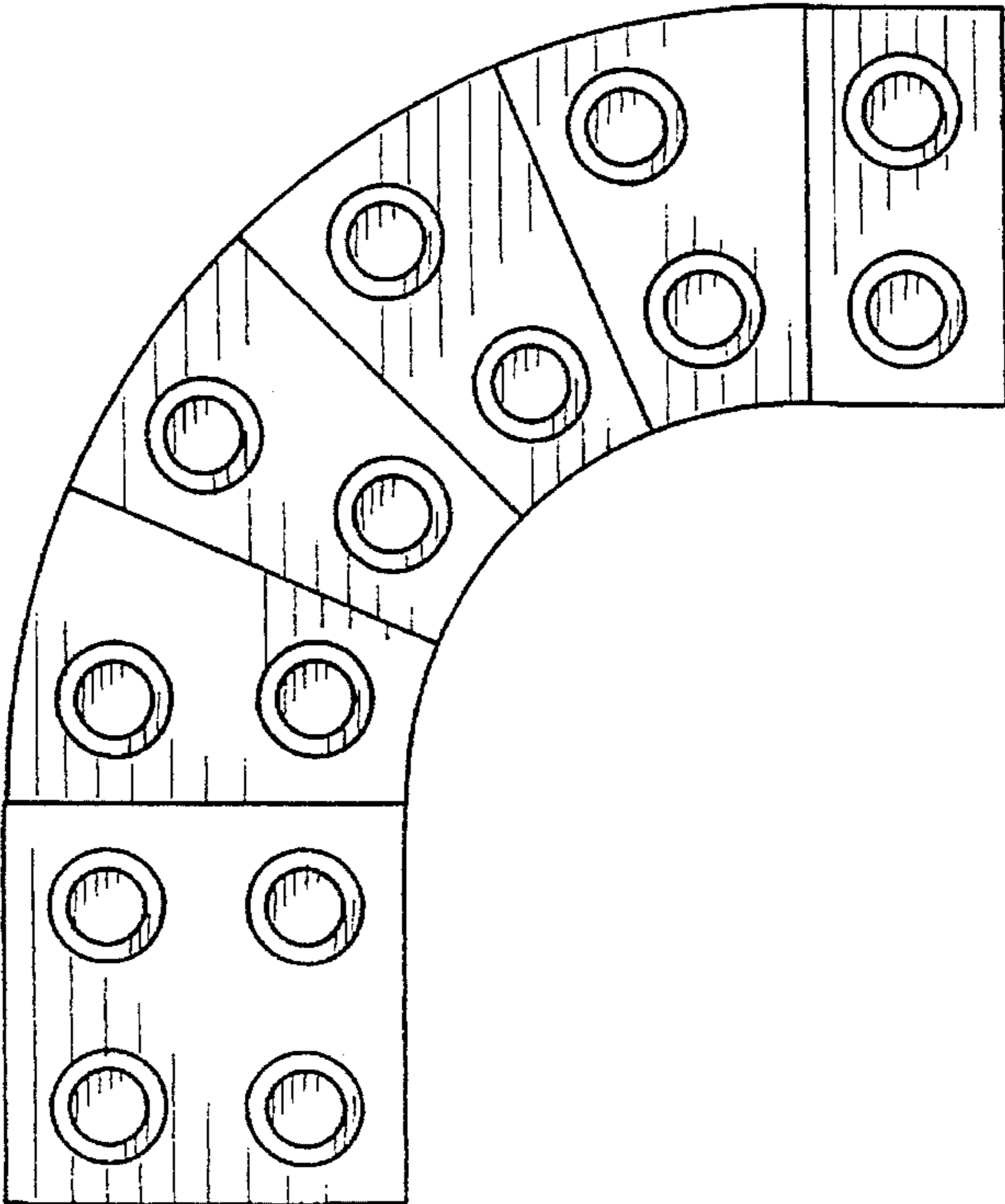


FIG. 8

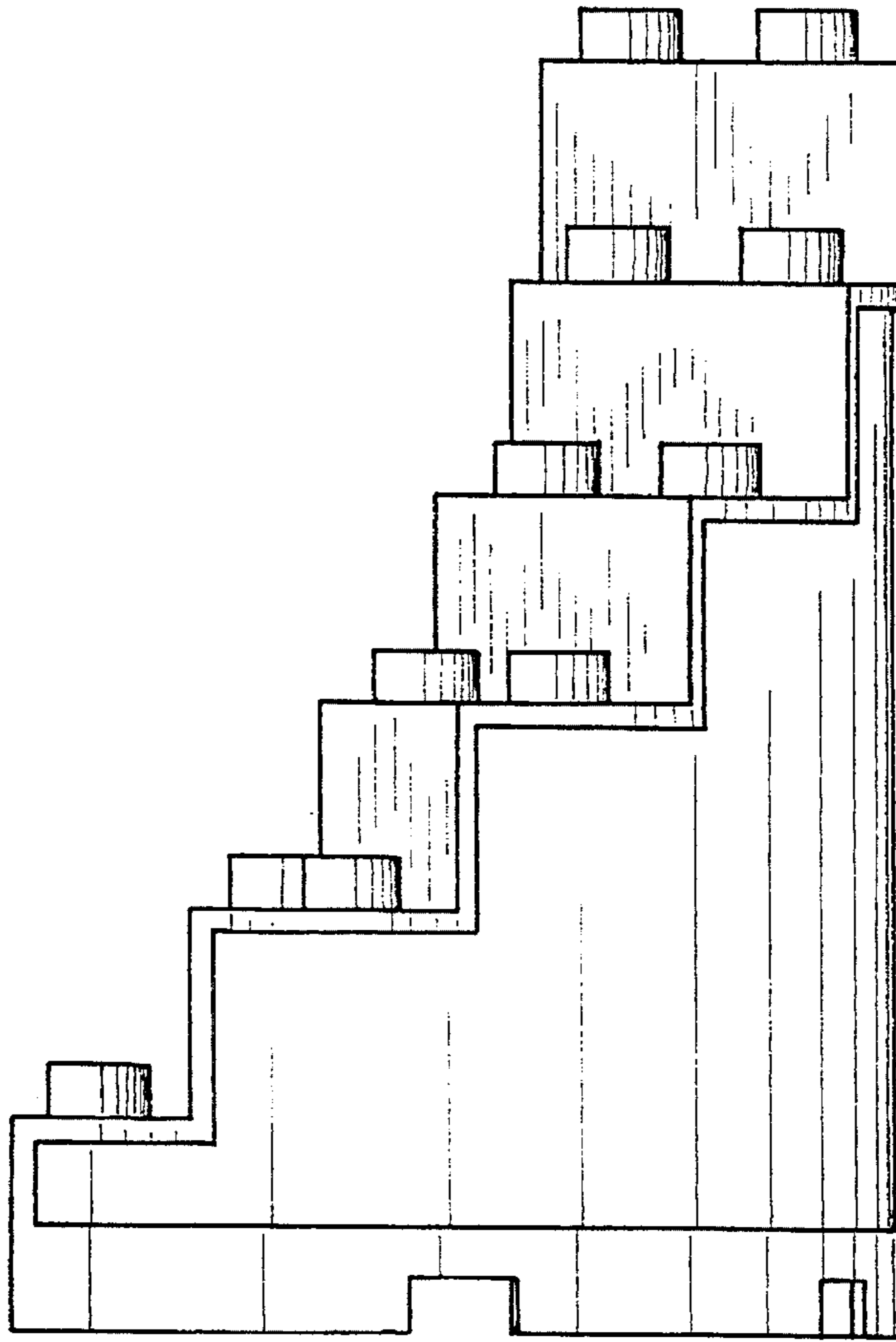


FIG. 6

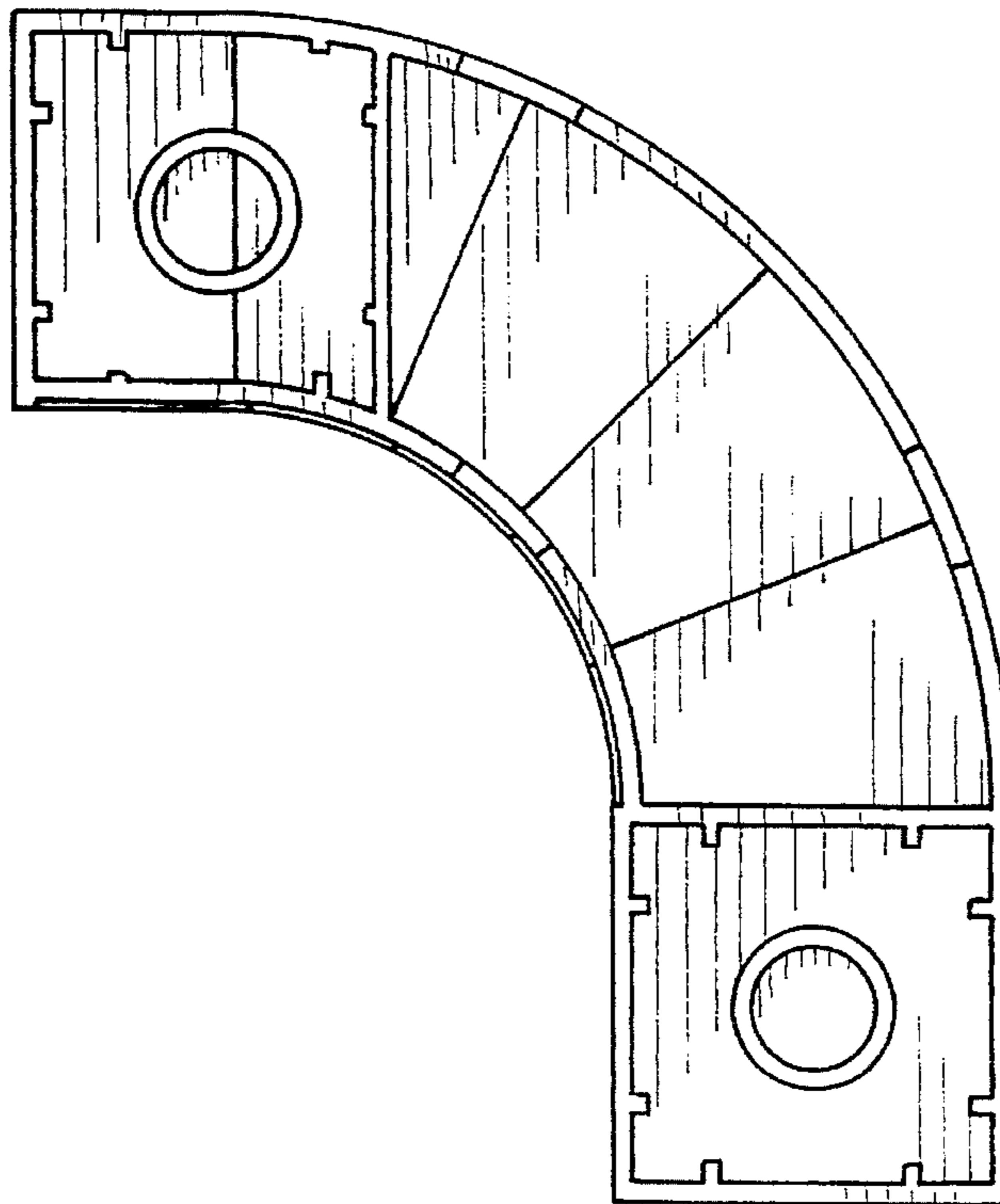


FIG. 7