



US00D363094S

United States Patent [19]

[11] Patent Number: **Des. 363,094**

Rhodes et al.

[45] Date of Patent: ****Oct. 10, 1995**

[54] PUZZLE STICK

3,594,005	3/1969	Vernog	D21/104 X
4,896,884	1/1990	Mirvic .	
5,145,177	9/1992	Wells .	
5,147,093	9/1992	Tisdale .	

[76] Inventors: **Ronnie L. Rhodes; Loubytha A. Rhodes**, both of Rte. 1, Box 212 A, Silsbee, Tex. 77656

Primary Examiner—Dominic Simone

[**] Term: **14 Years**

[57] CLAIM

[21] Appl. No.: **23,590**

The ornamental design for the puzzle stick, as shown and described.

[22] Filed: **May 27, 1994**

[52] U.S. Cl. **D21/104**

DESCRIPTION

[58] Field of Search D21/104-107, D21/108; 273/153 R, 156, 160

FIG. 1 is a front elevational view of the puzzle stick showing our new design;

[56] References Cited

U.S. PATENT DOCUMENTS

D. 269,863	7/1983	Meyer	D21/104 X
D. 274,074	5/1984	Brunko .	
D. 301,158	5/1989	Fitzpatrick .	
D. 341,169	11/1993	Denton	D21/108
615,381	12/1898	Brockett	D21/104 X

FIG. 2 is a rear elevational view thereof;

FIG. 3 is a left side elevational view thereof;

FIG. 4 is a right side elevational view thereof;

FIG. 5 is a top plan view thereof; and,

FIG. 6 is a bottom plan view thereof.

1 Claim, 3 Drawing Sheets

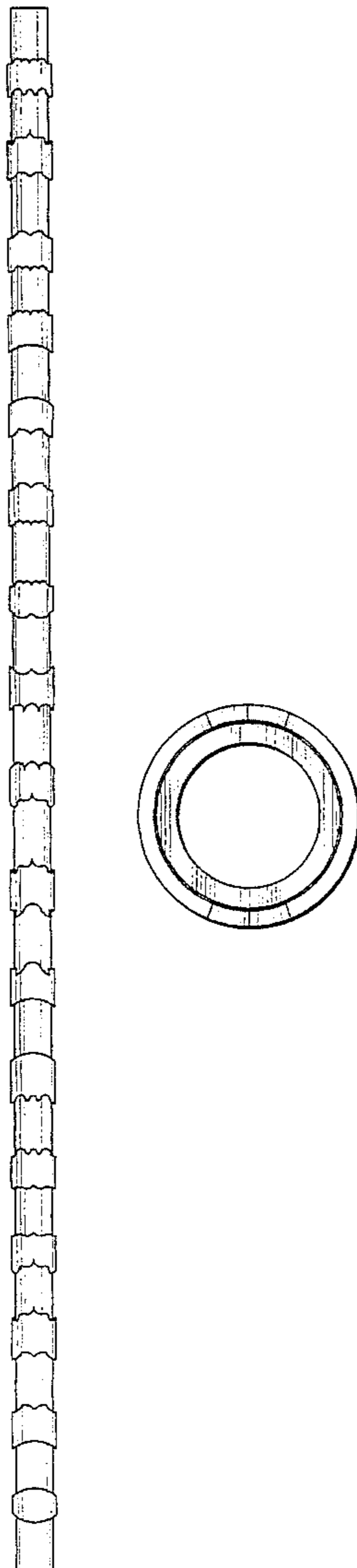


FIG. 1

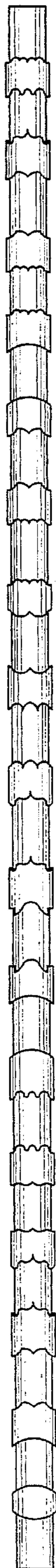


FIG. 2



FIG. 3

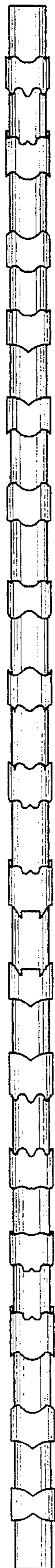


FIG. 4



FIG. 5

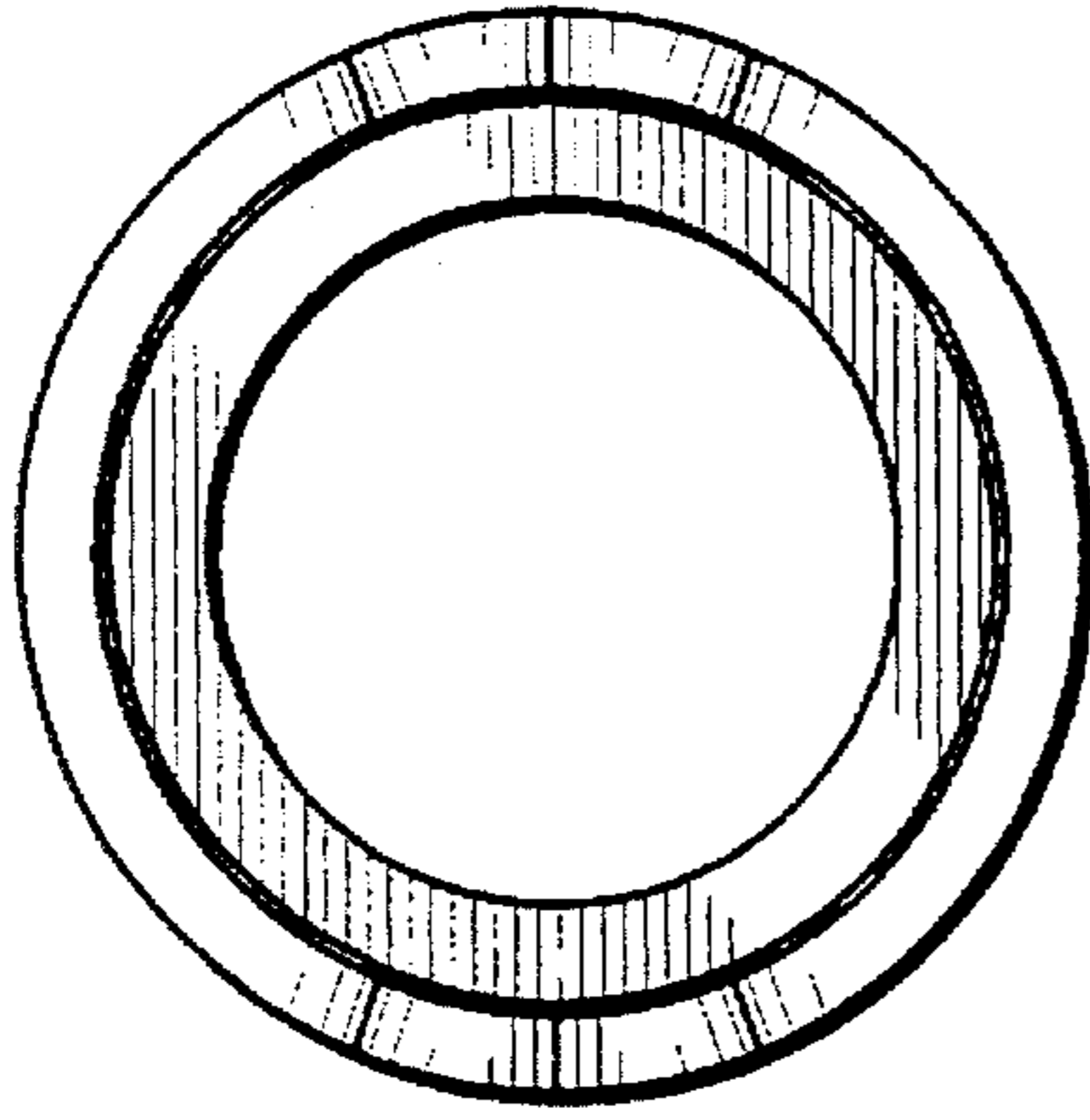


FIG. 6

