



US00D363083S

United States Patent [19]

[11] Patent Number: **Des. 363,083**

Thompson, III et al.

[45] Date of Patent: ****Oct. 10, 1995**

[54] ENVELOPE

[75] Inventors: **John A. Thompson, III; Lisa W. Rogers; Thomas L. Kraft**, all of Houston, Tex.

[73] Assignee: **KVM Technologies, Inc.**, Houston, Tex.

[**] Term: **14 Years**

[21] Appl. No.: **16,024**

[22] Filed: **Dec. 3, 1993**

[52] U.S. Cl. **D19/3; D3/227**

[58] Field of Search **D19/1, 2, 3, 4; D3/227, 247, 207, 303; D6/626; 206/309, 312; 281/46, 131; 229/68 R, 303, 71, 80, 82**

[56] **References Cited**

U.S. PATENT DOCUMENTS

D. 223,644	5/1972	Croon	D3/247
D. 243,846	3/1977	Watson	D19/3
D. 250,258	11/1978	Lookatch	D3/227 X
D. 265,020	6/1982	Silton	D3/303 X
D. 286,463	11/1986	Sfikas	D19/2 X
D. 344,015	2/1994	Jacobson	D3/227 X
1,821,011	9/1931	Greenlaw	D19/3 X
2,842,050	7/1958	Wright	229/71 X
3,921,319	11/1975	Styers et al.	229/71 X
3,955,752	5/1976	Harrigan	D19/3 X
3,979,051	9/1976	Close	D19/3 X

Primary Examiner—A. Hugo Word
Assistant Examiner—Pamela Burgess
Attorney, Agent, or Firm—Arnold, White & Durkee

[57] **CLAIM**

The ornamental design for an envelope, as shown and described.

DESCRIPTION

FIG. 1 is a front elevational view of an envelope showing our new design, with the flap in an opened position; FIG. 2 is a rear elevational view thereof; FIG. 3 is a side elevational view thereof, the undisclosed side being a mirror image; FIG. 4 is a side elevational view thereof, with the flap in a closed position, the undisclosed side being a mirror image; FIG. 5 is a front elevational view thereof, with the flap in a closed position; FIG. 6 is a rear elevational view thereof; FIG. 7 is a front elevational view of a second embodiment, with the flap in a closed position; FIG. 8 is a rear elevational thereof; FIG. 9 is a front elevational view of a third embodiment, with the flap in a closed position; FIG. 10 is a rear elevational view thereof; and, FIG. 11 is an enlarged isometric view of the first embodiment as shown in FIG. 5.

It is understood that the side elevational views of the second and third embodiments are the same as in the first embodiment.

1 Claim, 3 Drawing Sheets

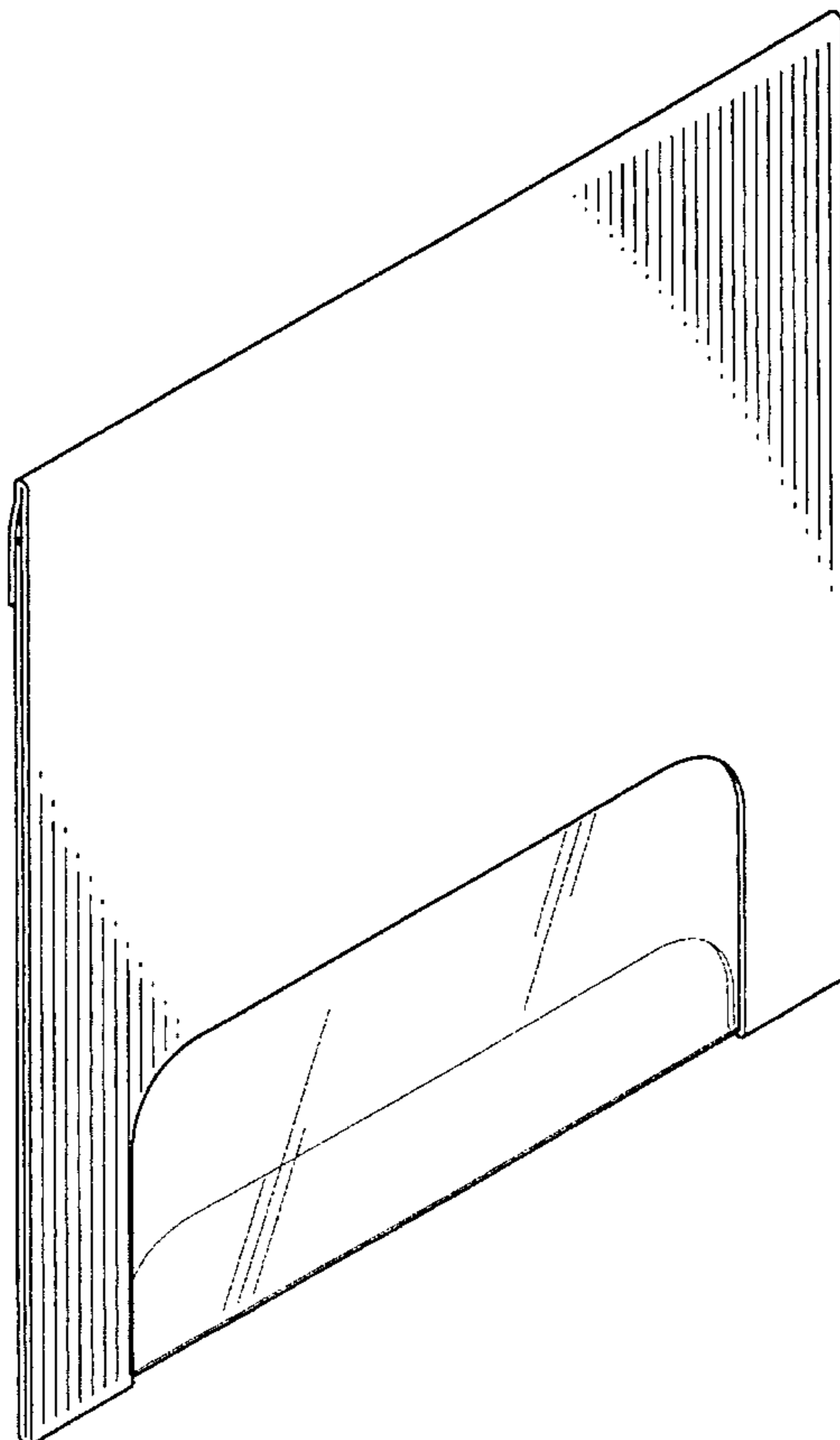


FIG. 1

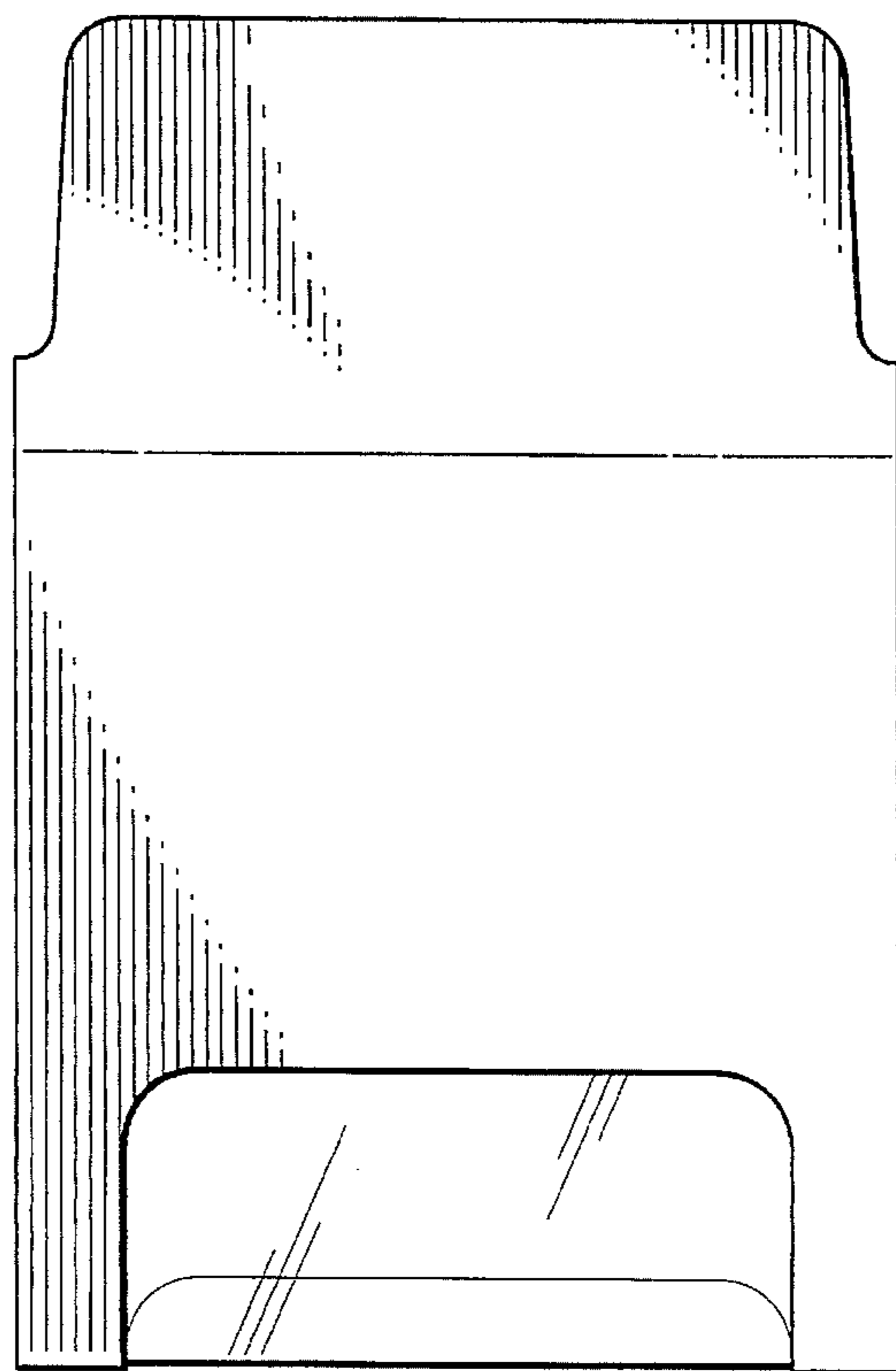


FIG. 3

FIG. 2

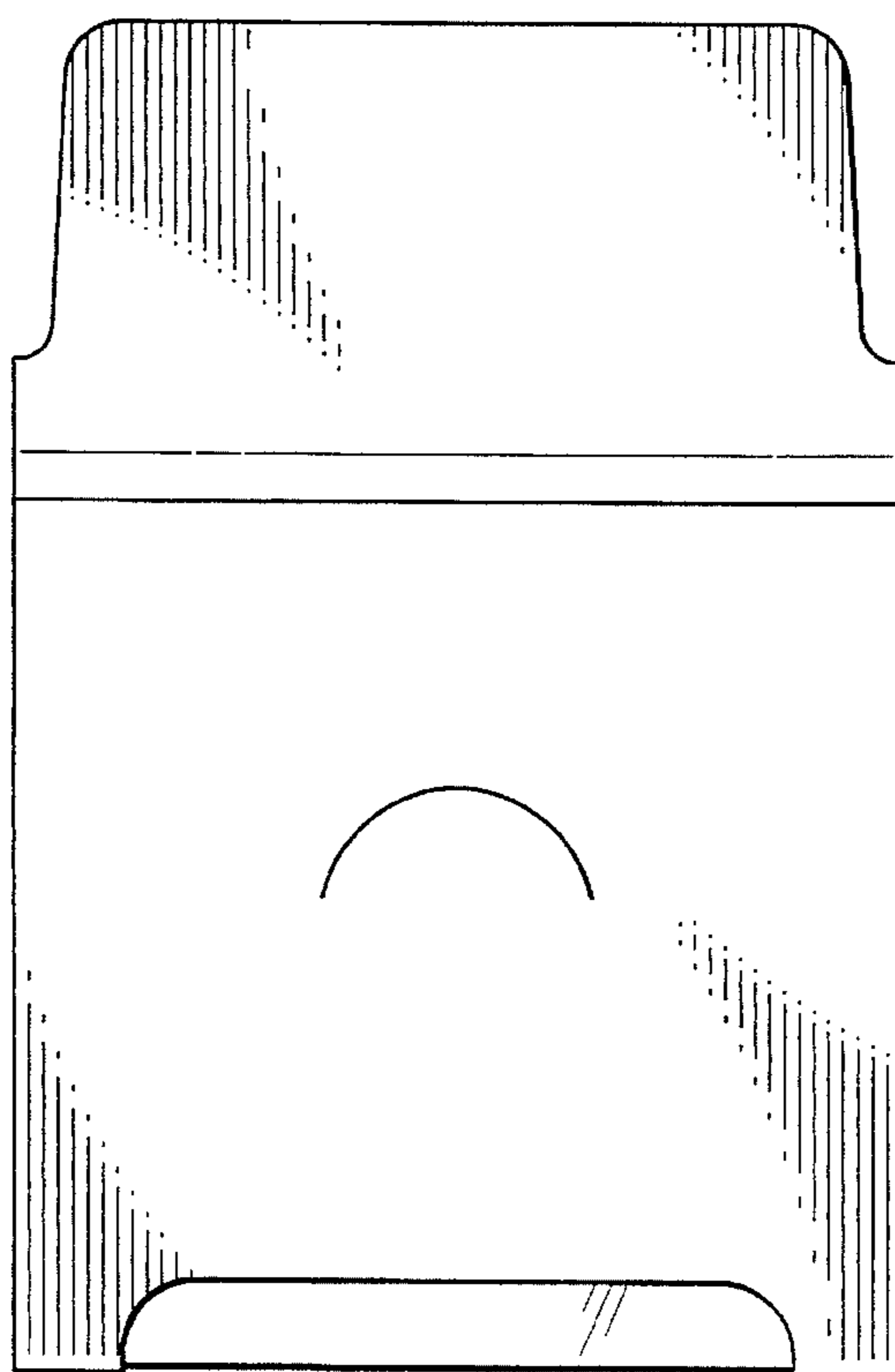


FIG. 4

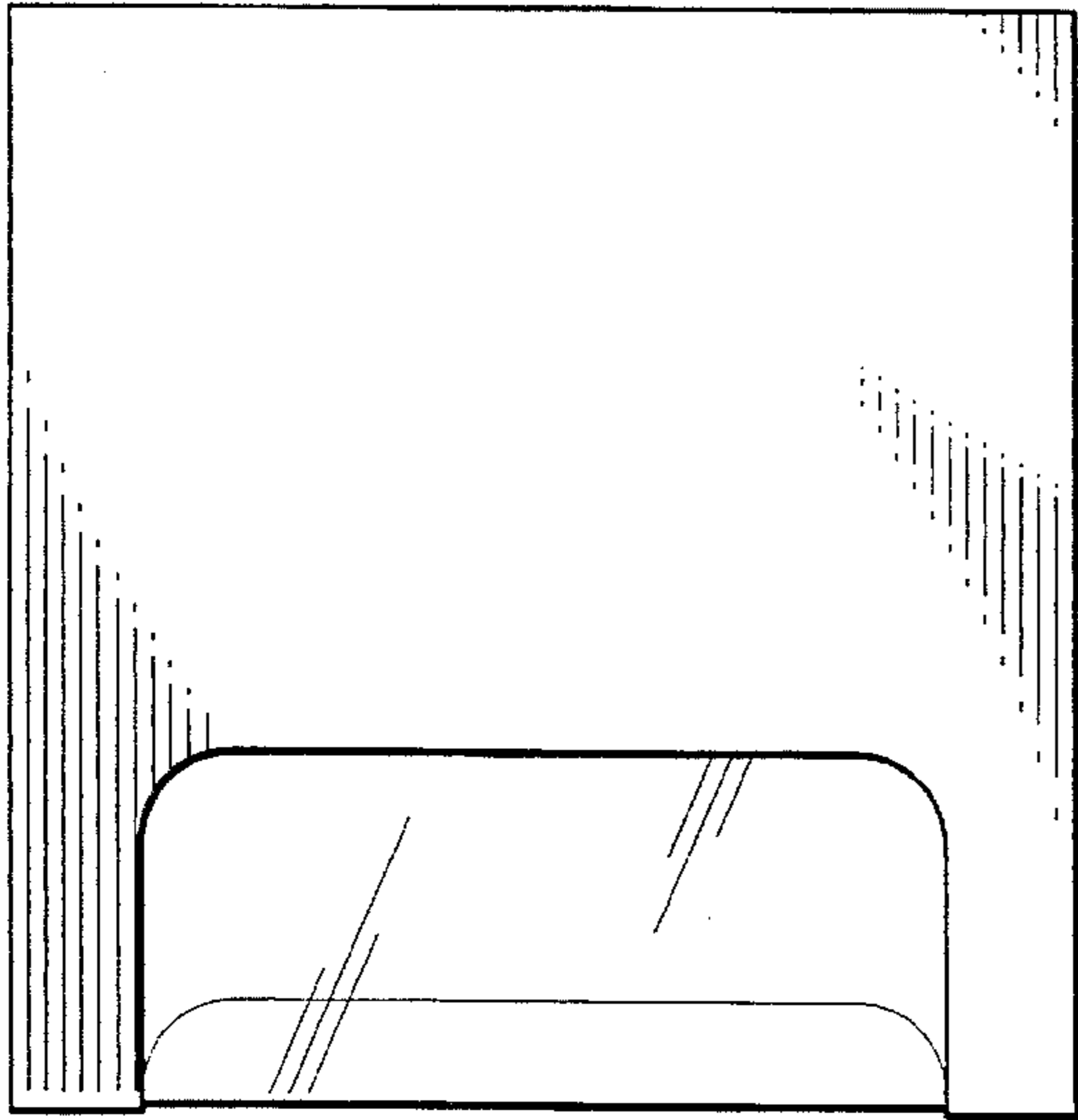


FIG. 5

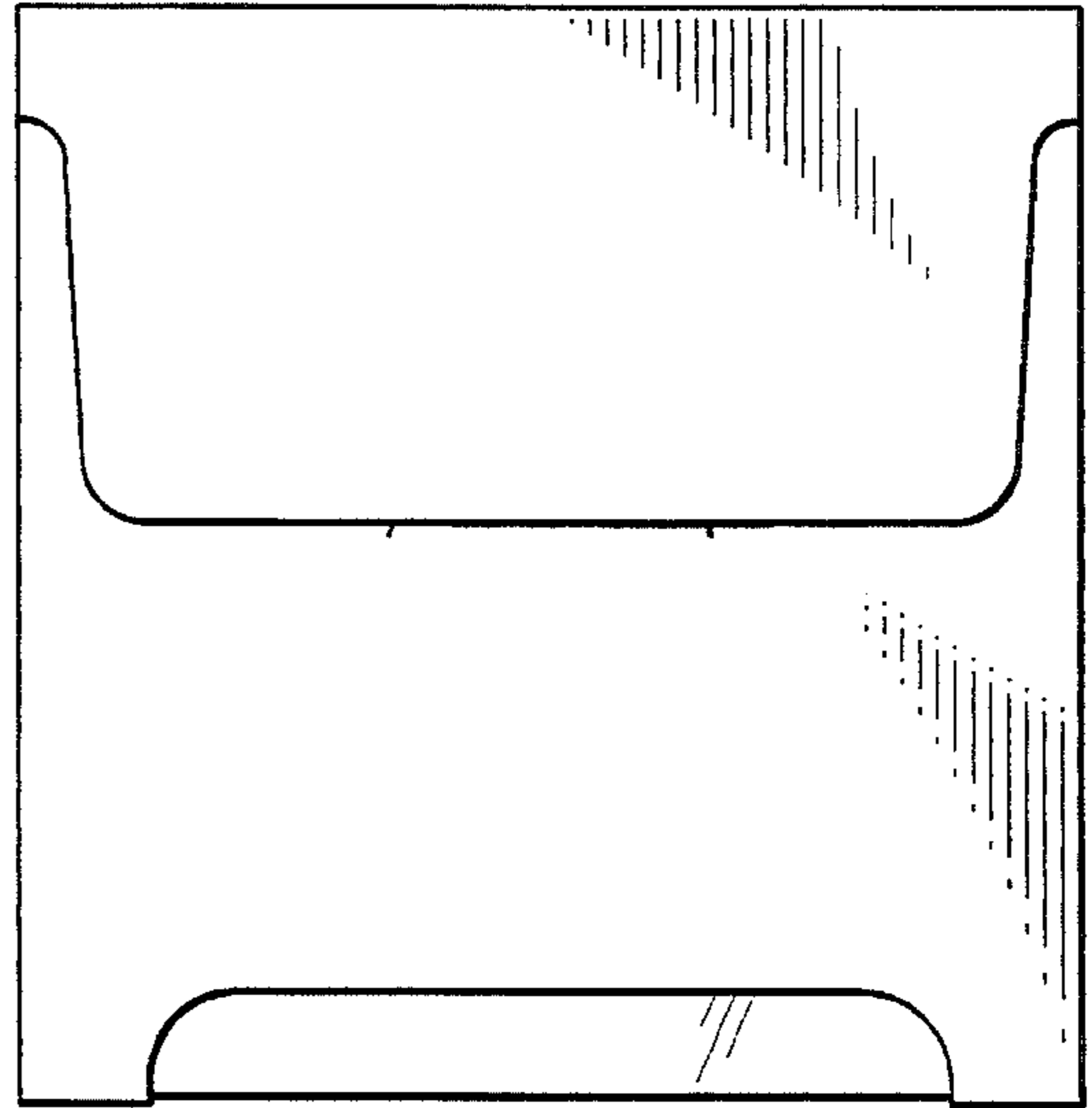


FIG. 6

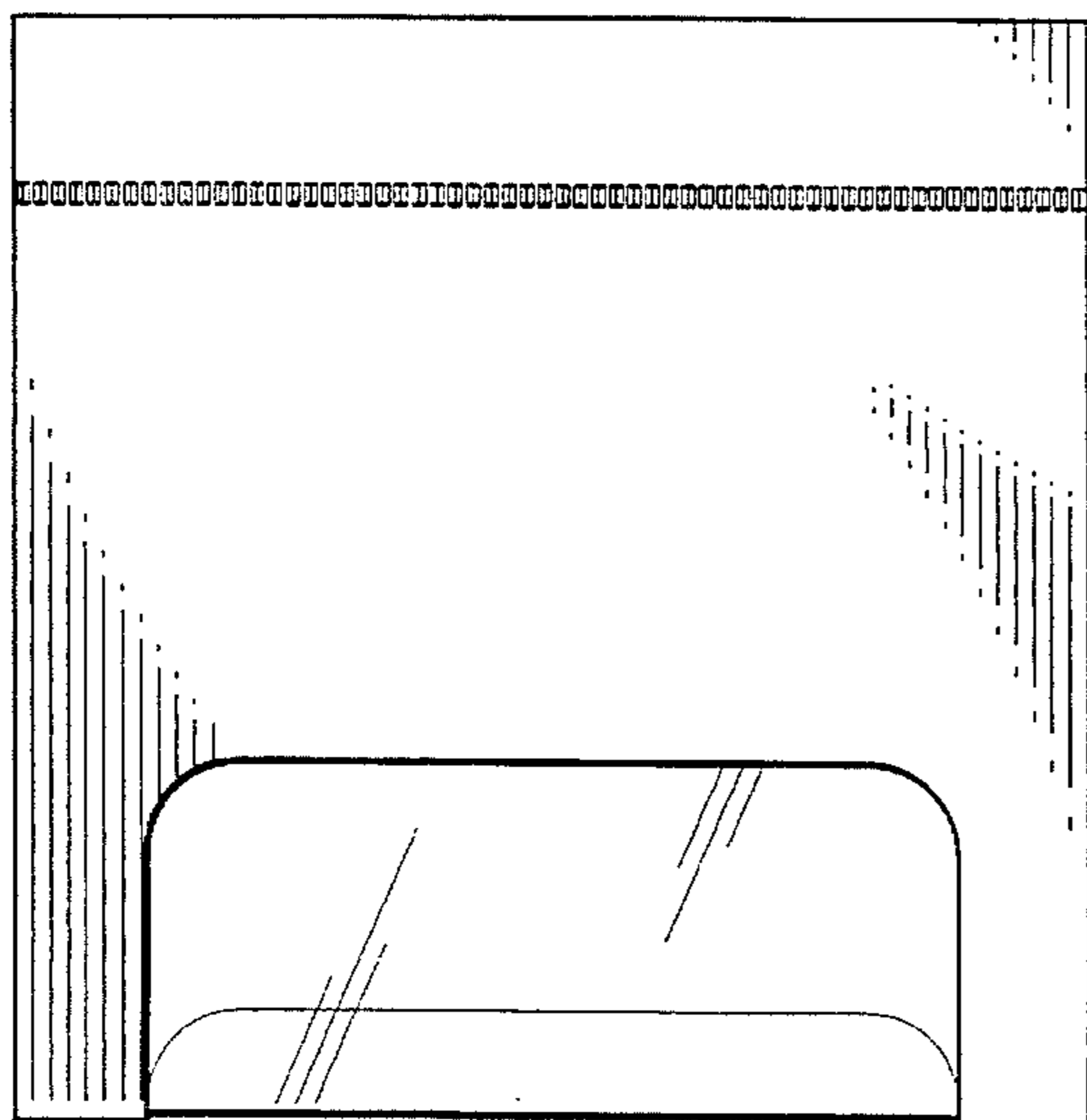


FIG. 7

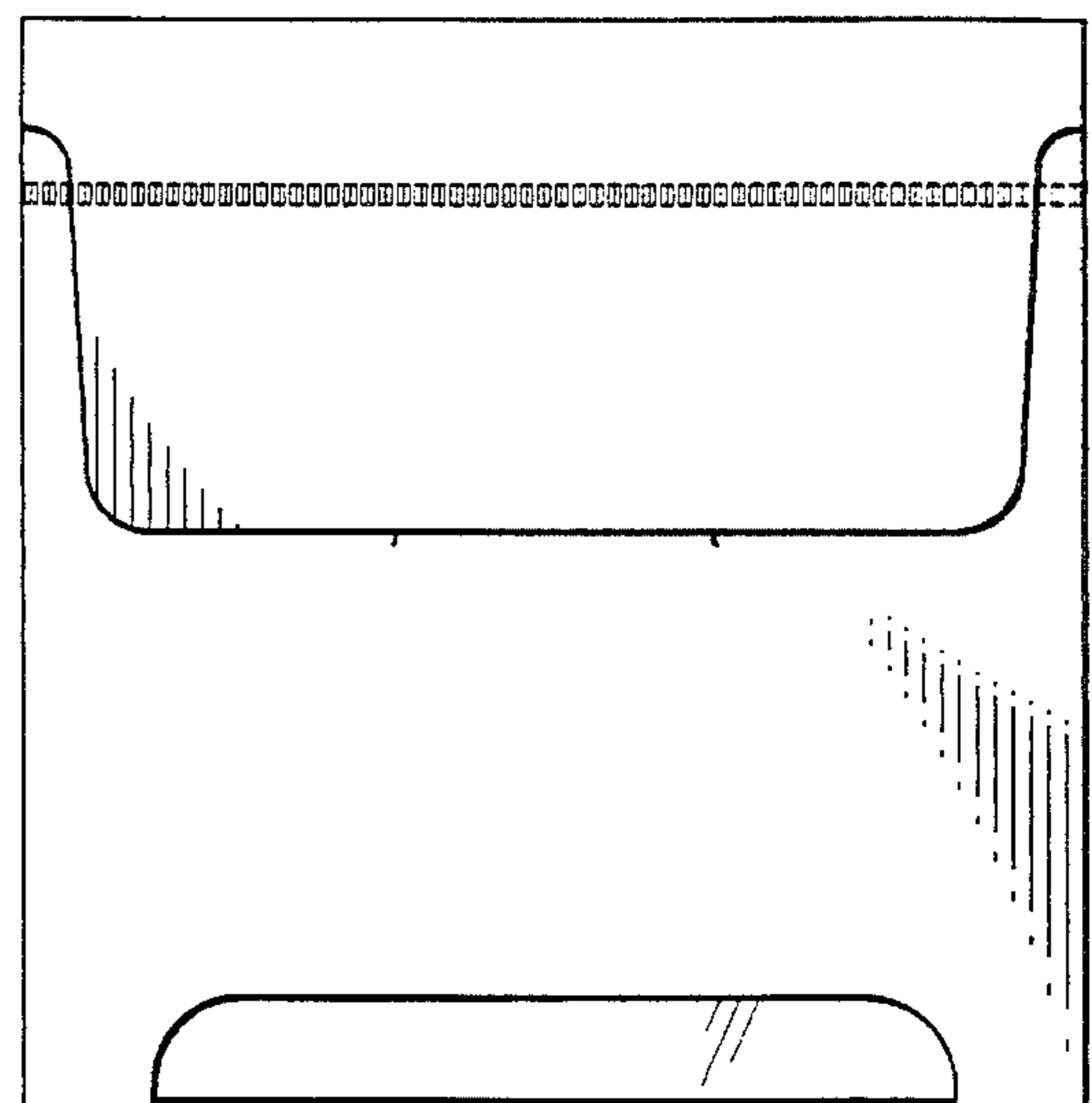


FIG. 8

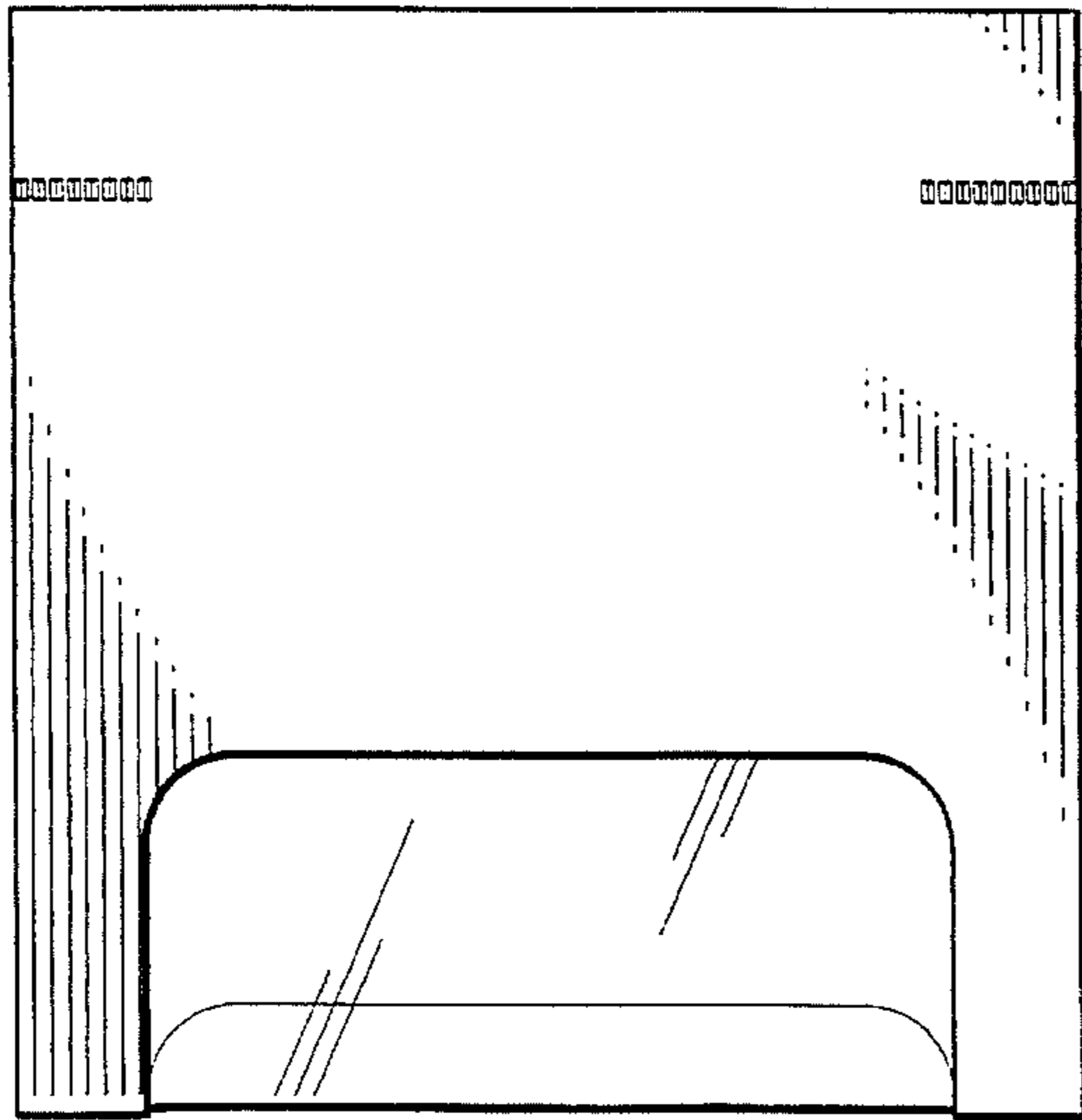


FIG. 9

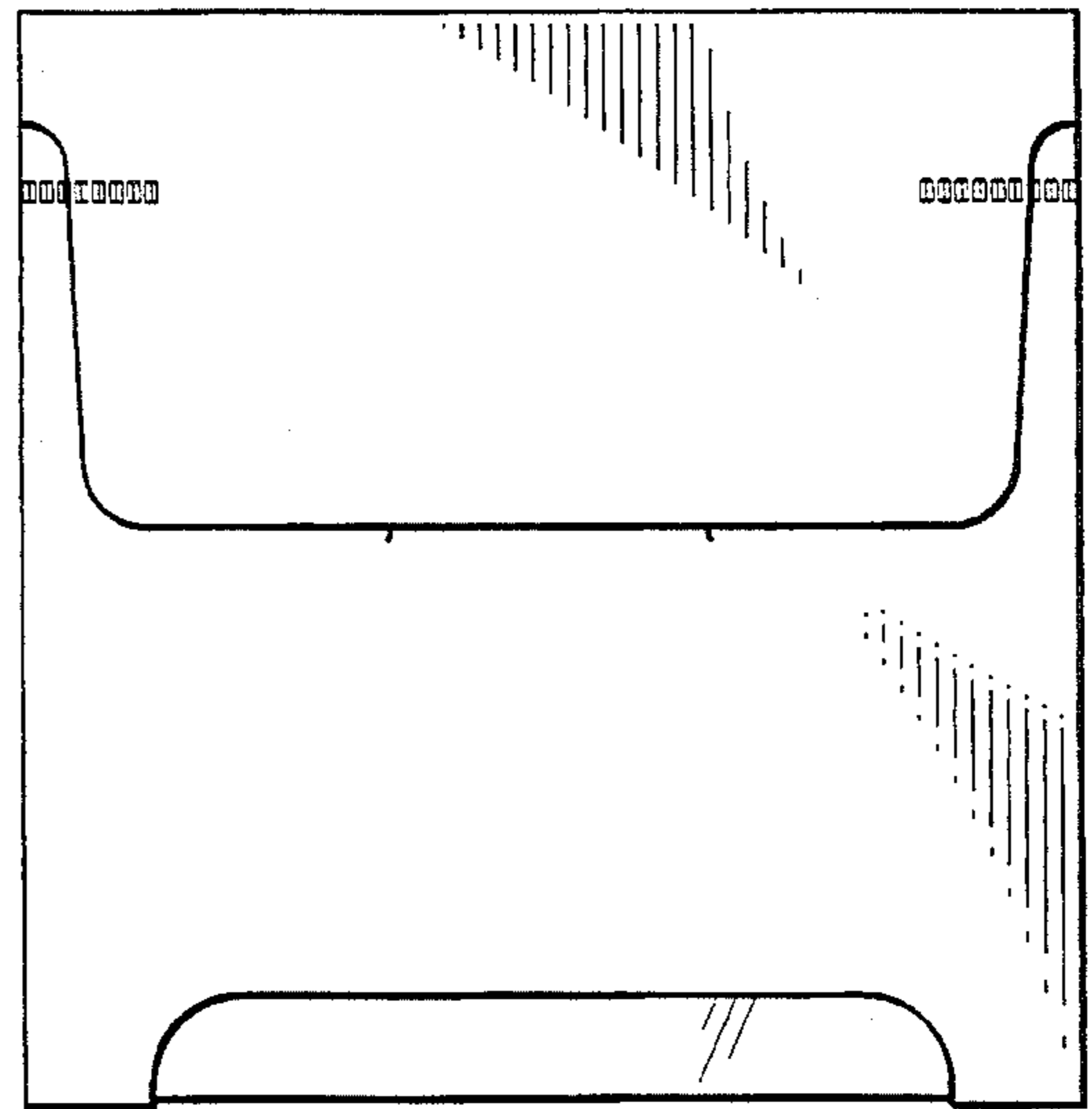


FIG. 10

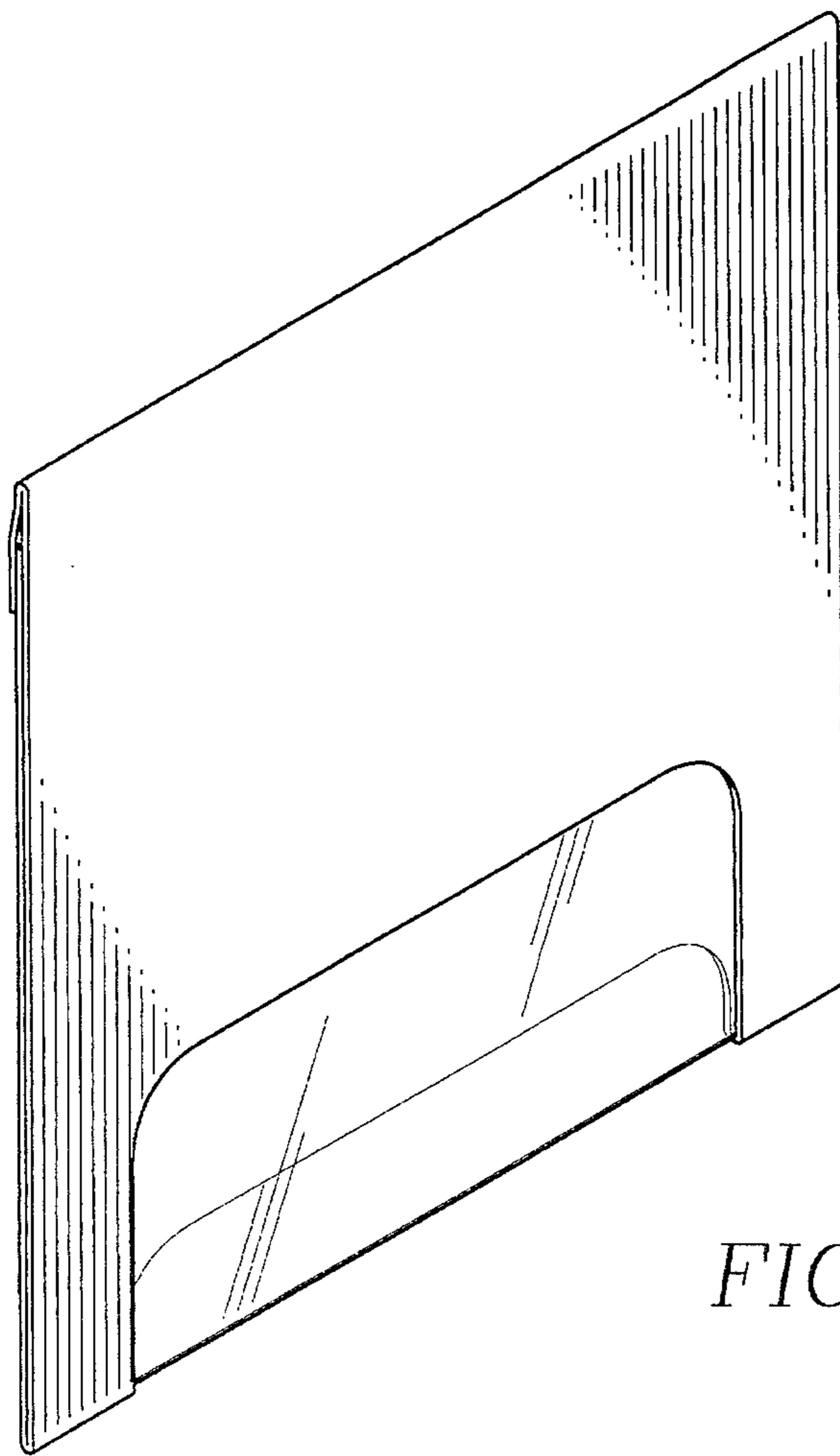


FIG. 11