



US00D363082S

United States Patent [19]

[11] Patent Number: **Des. 363,082**

Watanabe et al.

[45] Date of Patent: ****Oct. 10, 1995**

[54] TAPE PRINTER

[75] Inventors: **Kenji Watanabe; Tomoyuki Ichikawa; Yuichiro Taniguchi**, all of Tokyo, Japan

[73] Assignee: **King Jim Co., Ltd.**, Tokyo, Japan

[**] Term: **14 Years**

[21] Appl. No.: **25,075**

[22] Filed: **Jun. 27, 1994**

[30] Foreign Application Priority Data

Dec. 27, 1993 [JP] Japan 5-39229

[52] U.S. Cl. **D18/19; D18/52; D19/60**

[58] Field of Search D18/19, 50, 51, D18/52, 54, 55; 400/88, 690.1-690.4, 690-694, 613, 613.1-613.4; 347/222, 245, 264, 170, 108; 101/93.4, 269, 91; D14/106

[56] References Cited

U.S. PATENT DOCUMENTS

D. 298,624	11/1988	Shiozawa et al.	18/52
D. 332,462	1/1993	Takahashi	D18/19
D. 335,653	5/1993	Rak	D18/52
D. 336,441	6/1993	Meyer	D18/52
D. 337,780	7/1993	Thom	D18/52
D. 344,752	3/1994	Watanabe et al.	D18/52
D. 344,753	3/1994	Watanabe et al.	D18/52
D. 350,764	9/1994	Gray et al.	D18/52
D. 354,742	1/1995	Hamilton	D19/60
D. 355,898	2/1995	Verderame	D19/60
5,150,130	9/1992	Sato	400/690.4

FOREIGN PATENT DOCUMENTS

4022654 1/1992 Japan 400/615.2

OTHER PUBLICATIONS

Casio Label Writer KL-2000 brochure; 1992.
 Casio Nameland KL-500 brochure; © Dec. 1993.
 Casio Nameland KL-5000 brochure; published Nov. 1993.
 King Jim Co., Ltd., brochure for "Tepra Pro"-SR 606; Nov. 1992.
 Best Catalog; Oct. '89; p. 11; Franklin WM1000 Word-Master Electronic Thesaurus Spelling Corrector.
 Bennett Brothers, Inc. Catalog; p. 401; Franklin Language Master LM4000 Electronic dictionary.
 King Jim brochure for Tepra TR66 label printer; May 1992.

Primary Examiner—Cathy Anne MacCormac
Attorney, Agent, or Firm—Frishauf, Holtz, Goodman, Langer & Chick

[57] CLAIM

The ornamental design for a tape printer, as shown.

DESCRIPTION

FIG. 1 is a top, front, right side perspective view of a tape printer showing our new design;
 FIG. 2 is a top, plan view thereof;
 FIG. 3 is a front elevational view thereof;
 FIG. 4 is a left side elevational view thereof;
 FIG. 5 is a right side elevational view thereof;
 FIG. 6 is a rear elevational view thereof; and,
 FIG. 7 is a bottom plan view thereof.

1 Claim, 3 Drawing Sheets

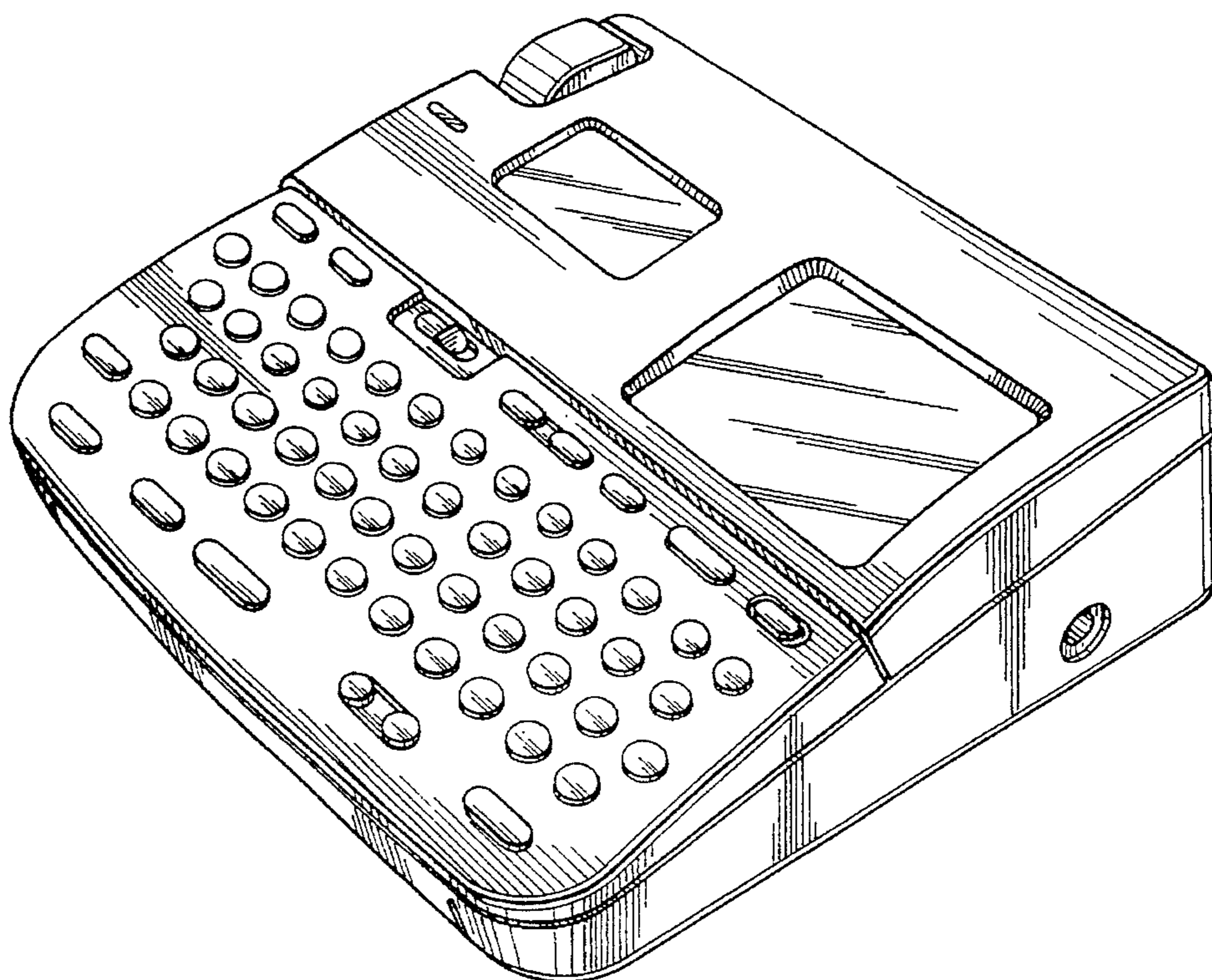


Fig. 1

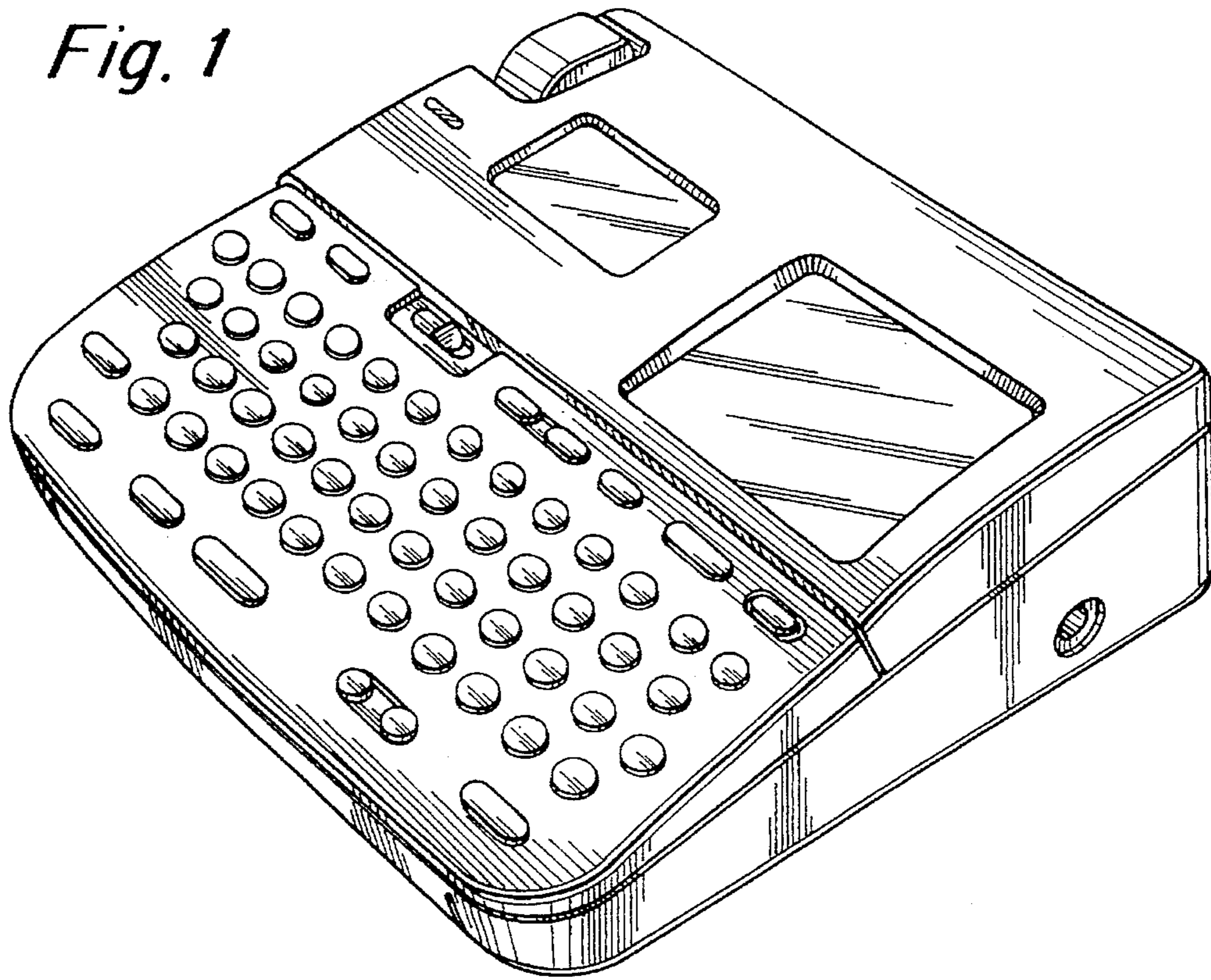


Fig. 2

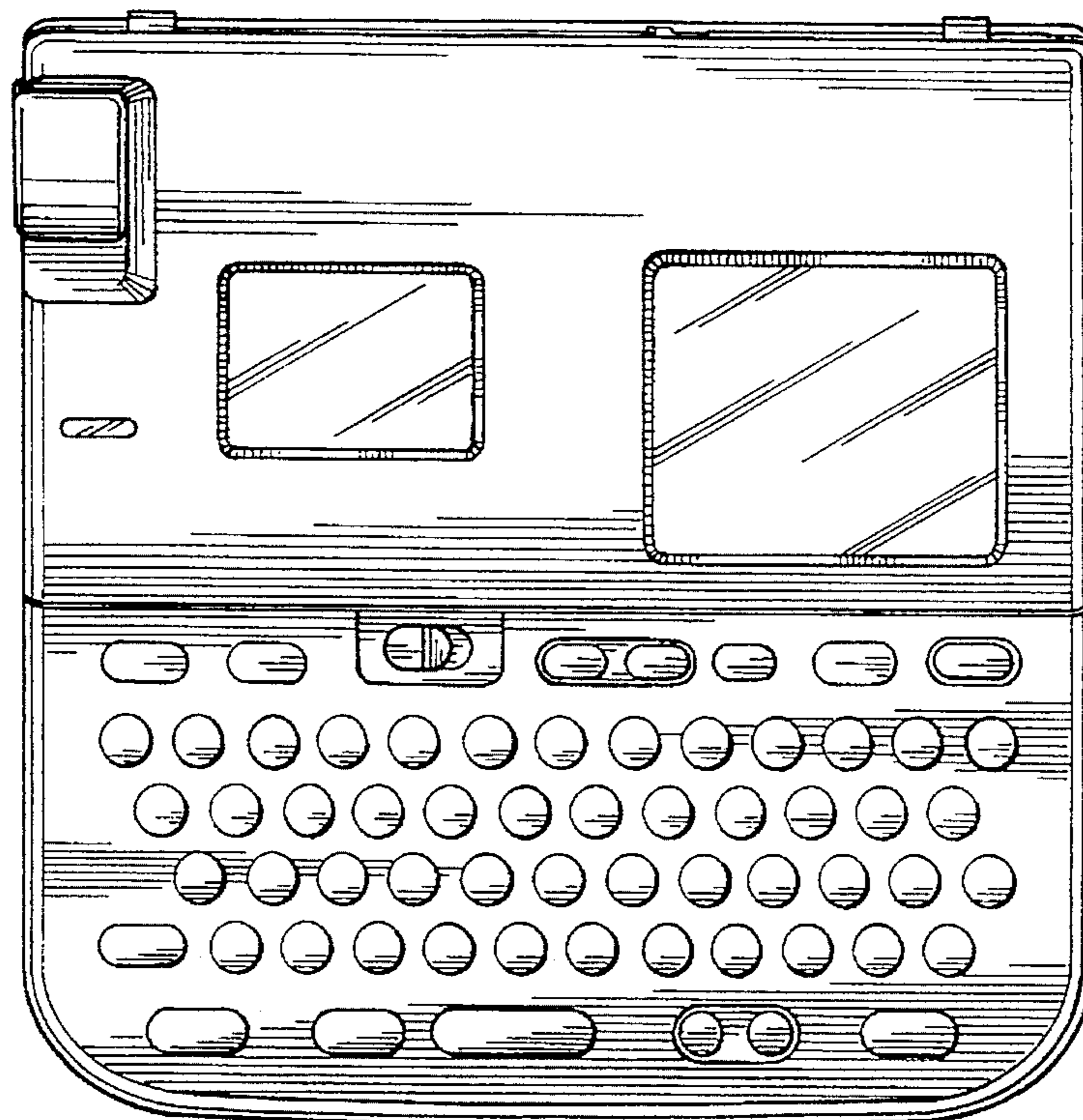


Fig. 3

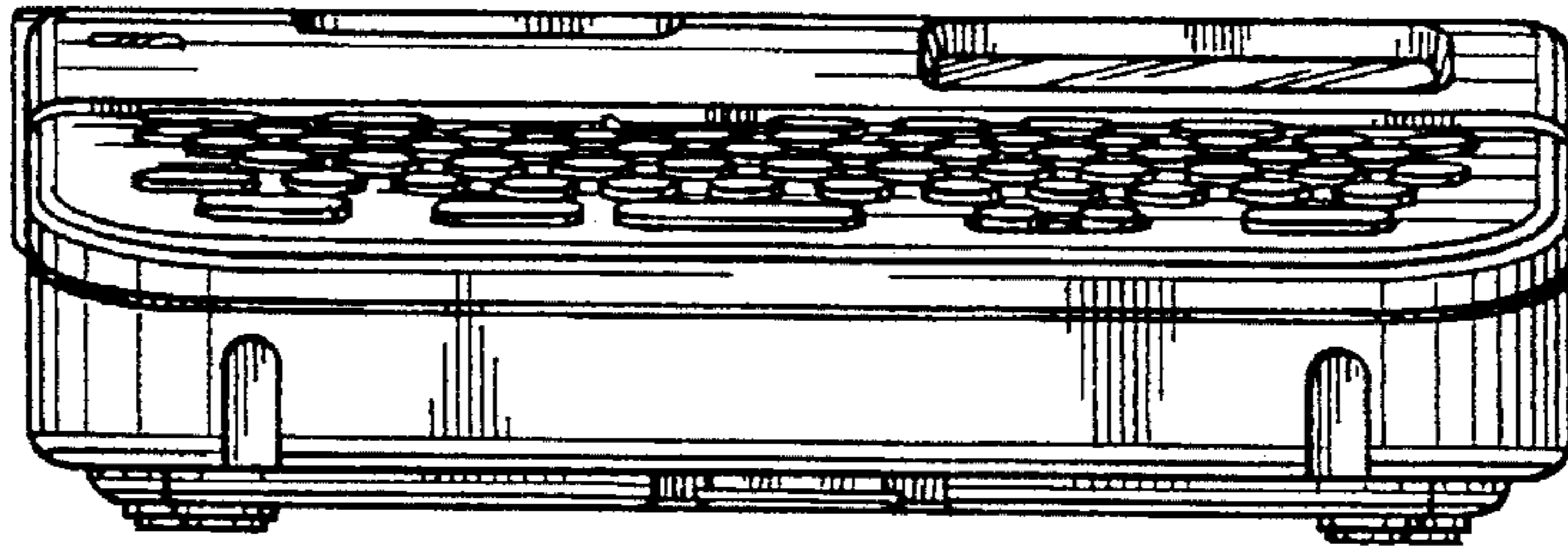


Fig. 4

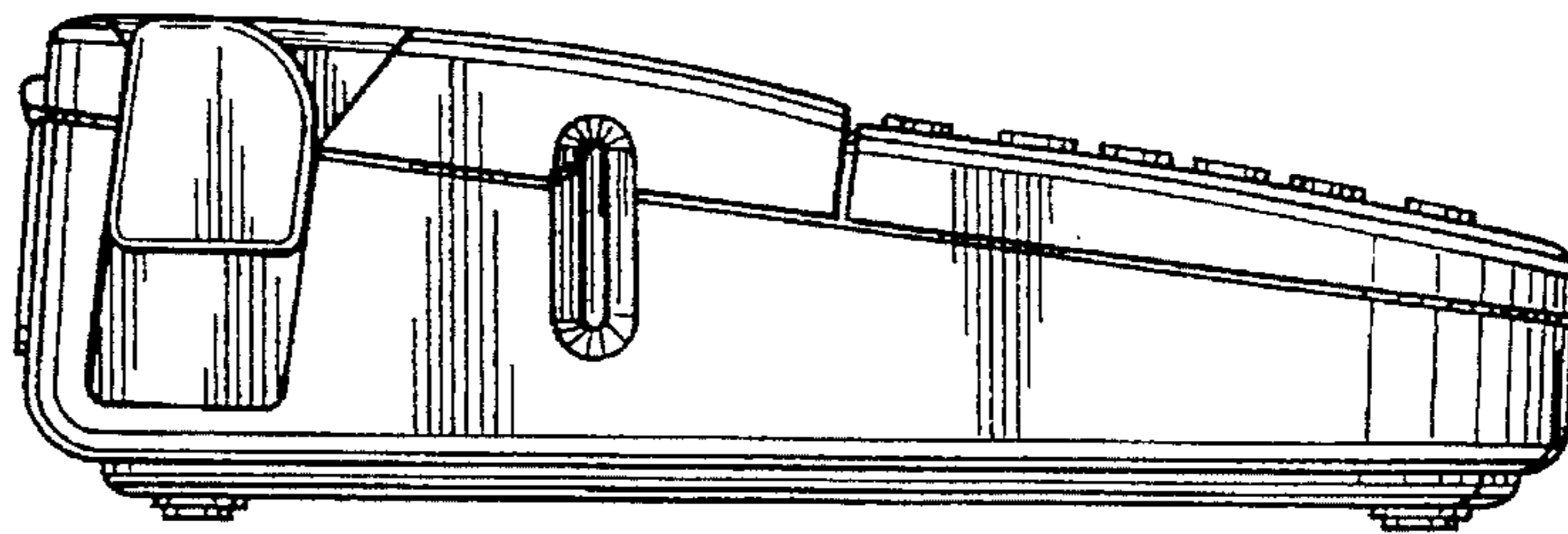


Fig. 5

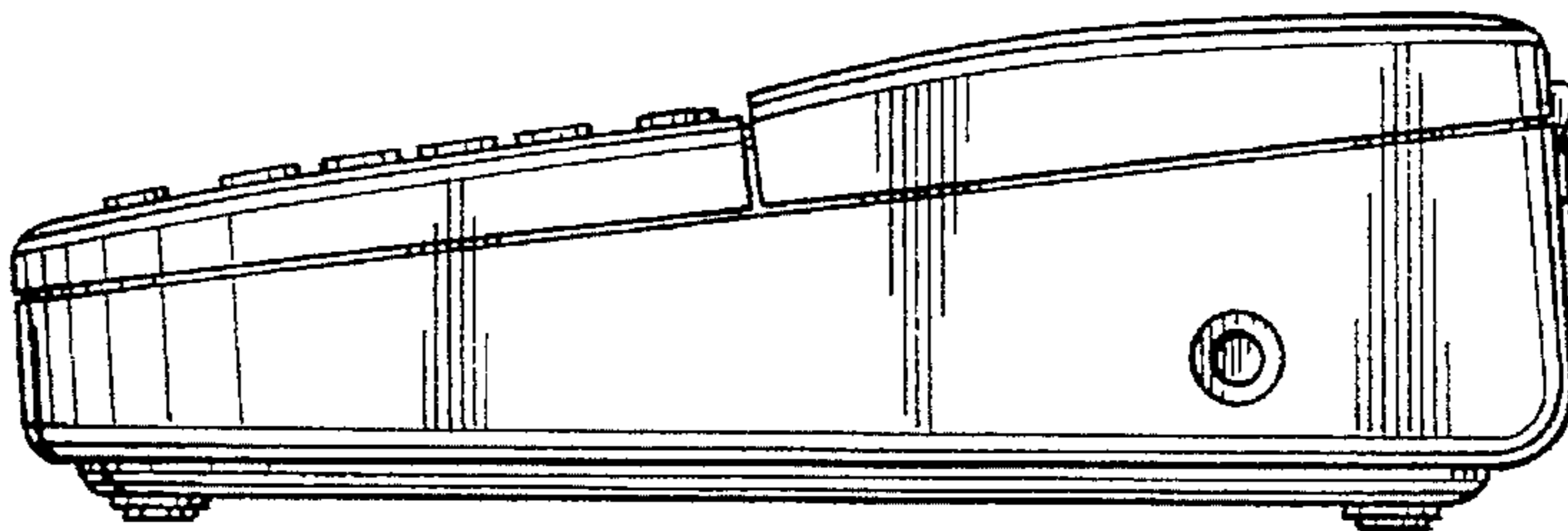


Fig. 6

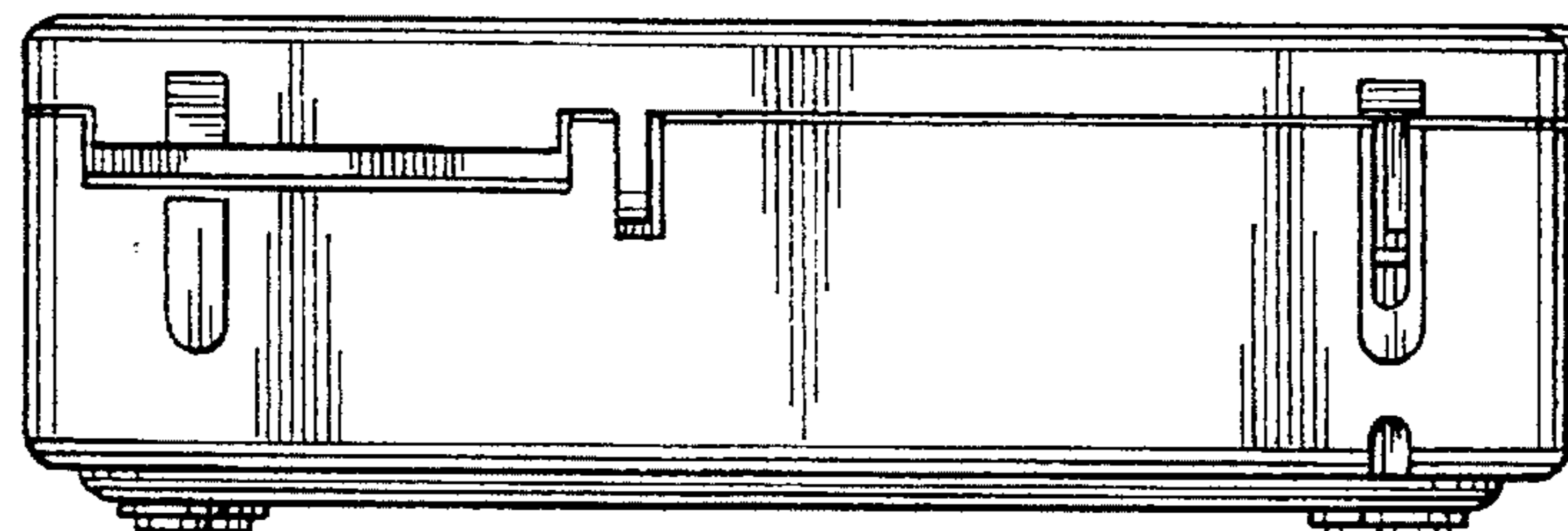


Fig. 7

