



US00D363078S

United States Patent [19]

[11] Patent Number: **Des. 363,078**

Fukuda et al.

[45] Date of Patent: ****Oct. 10, 1995**

[54] SINGLE USE CAMERA

[75] Inventors: **Hiroshi Fukuda; Kazuhisa Horikiri; Koji Yoshida**, all of Tokyo, Japan

[73] Assignee: **Fuji Photo Film Co., Ltd.**, Kanagawa, Japan

[**] Term: **14 Years**

[21] Appl. No.: **28,608**

[22] Filed: **Sep. 30, 1994**

[30] Foreign Application Priority Data

Mar. 31, 1994 [JP] Japan 6-9282

[52] U.S. Cl. **D16/208; D16/209**

[58] Field of Search D9/418, 432; D16/200, D16/201-205, 208, 209, 212, 216, 217, 218; 354/75, 64, 65, 126, 149.11, 147, 202, 288

[56] References Cited

U.S. PATENT DOCUMENTS

D. 325,741	4/1992	Arai	D16/208
D. 342,541	12/1993	McBride et al.	D16/209
D. 353,605	12/1994	Horikiri et al.	D16/208
D. 356,101	3/1995	Arai	D16/208
4,801,957	1/1989	Vandemoere	354/147

FOREIGN PATENT DOCUMENTS

815405 4/1991 Japan .
815405-5 4/1991 Japan .

OTHER PUBLICATIONS

Popular Photography, Dec. 1988 p. 134 (Fuji's 35 MM Disposable Camera).
Popular Science, Jul. 1989 p. 89 (Kodak's Fling-35).

Primary Examiner—Prabhakar G. Deshmukh
Assistant Examiner—Adir Aronovich
Attorney, Agent, or Firm—Young & Thompson

[57] CLAIM

The ornamental design for a single use camera, as shown.

DESCRIPTION

FIG. 1 is a top, front and side perspective view of a single use camera showing our new design;
FIG. 2 is a front elevational view thereof;
FIG. 3 is a rear elevational view thereof;
FIG. 4 is a top plan view thereof;
FIG. 5 is a bottom plan view thereof;
FIG. 6 is a side elevational view thereof from the left of FIG. 2; and,
FIG. 7 is a side elevational view thereof from the right of FIG. 2.

1 Claim, 3 Drawing Sheets

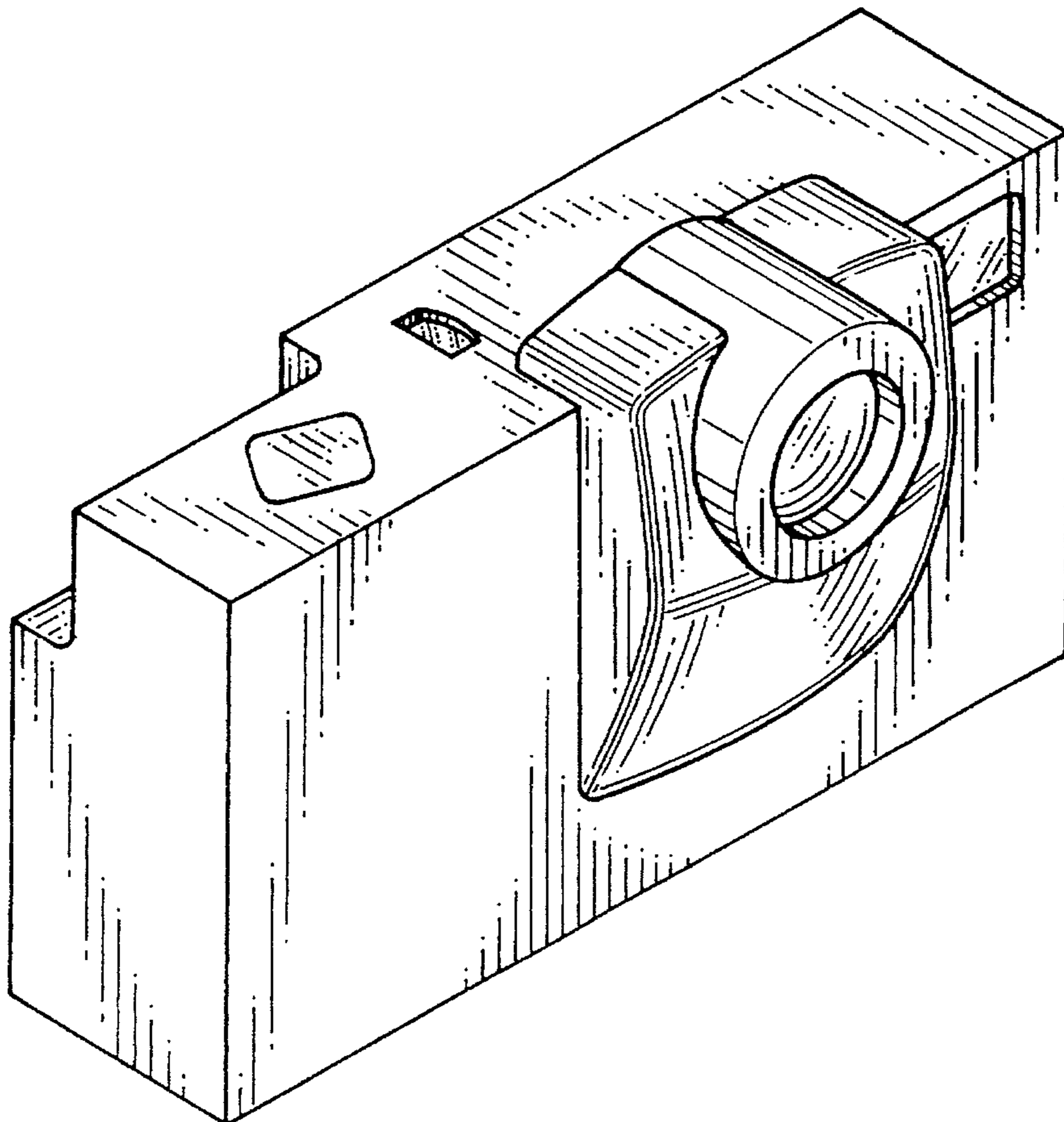


FIG. 1

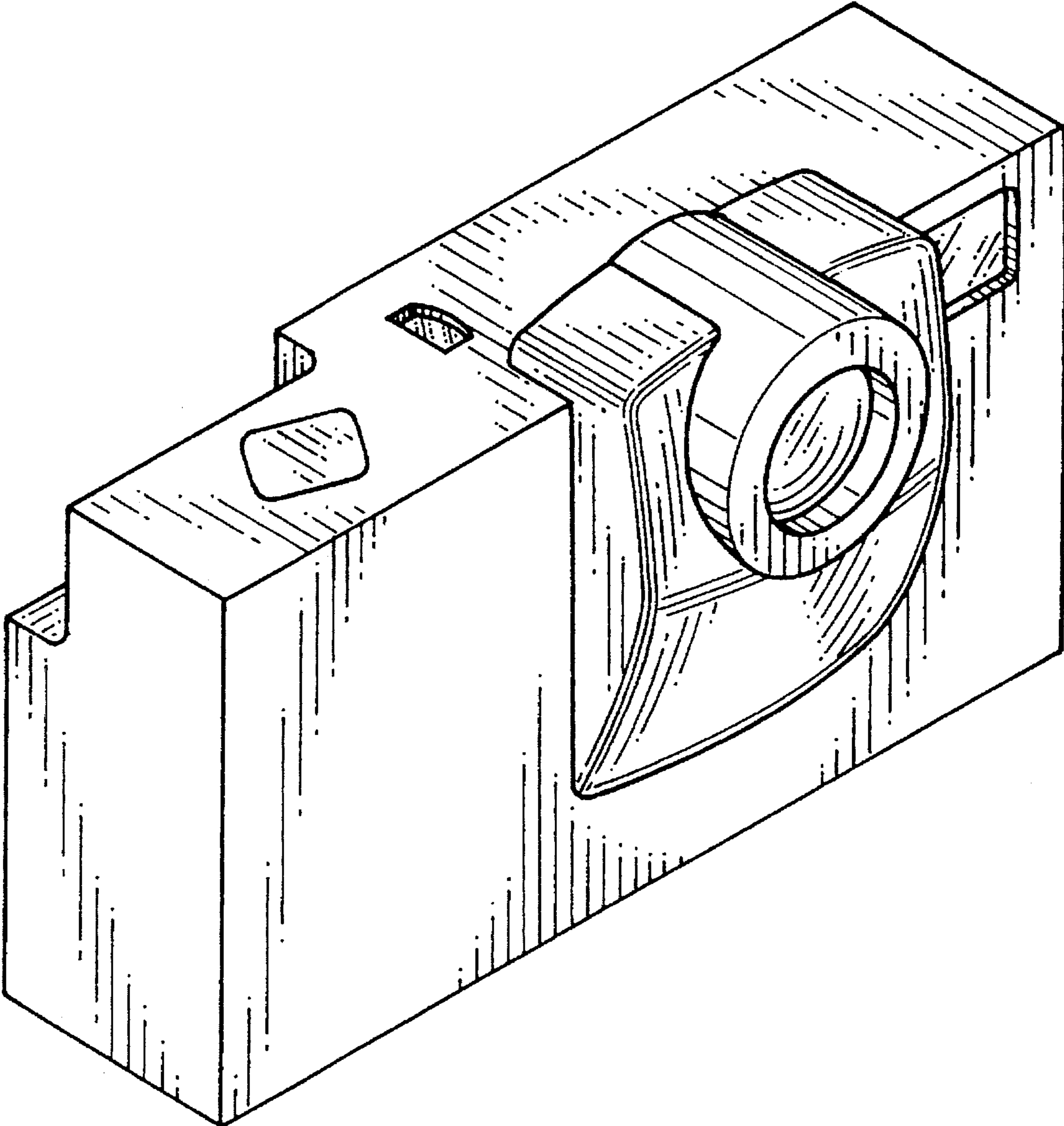


FIG. 2

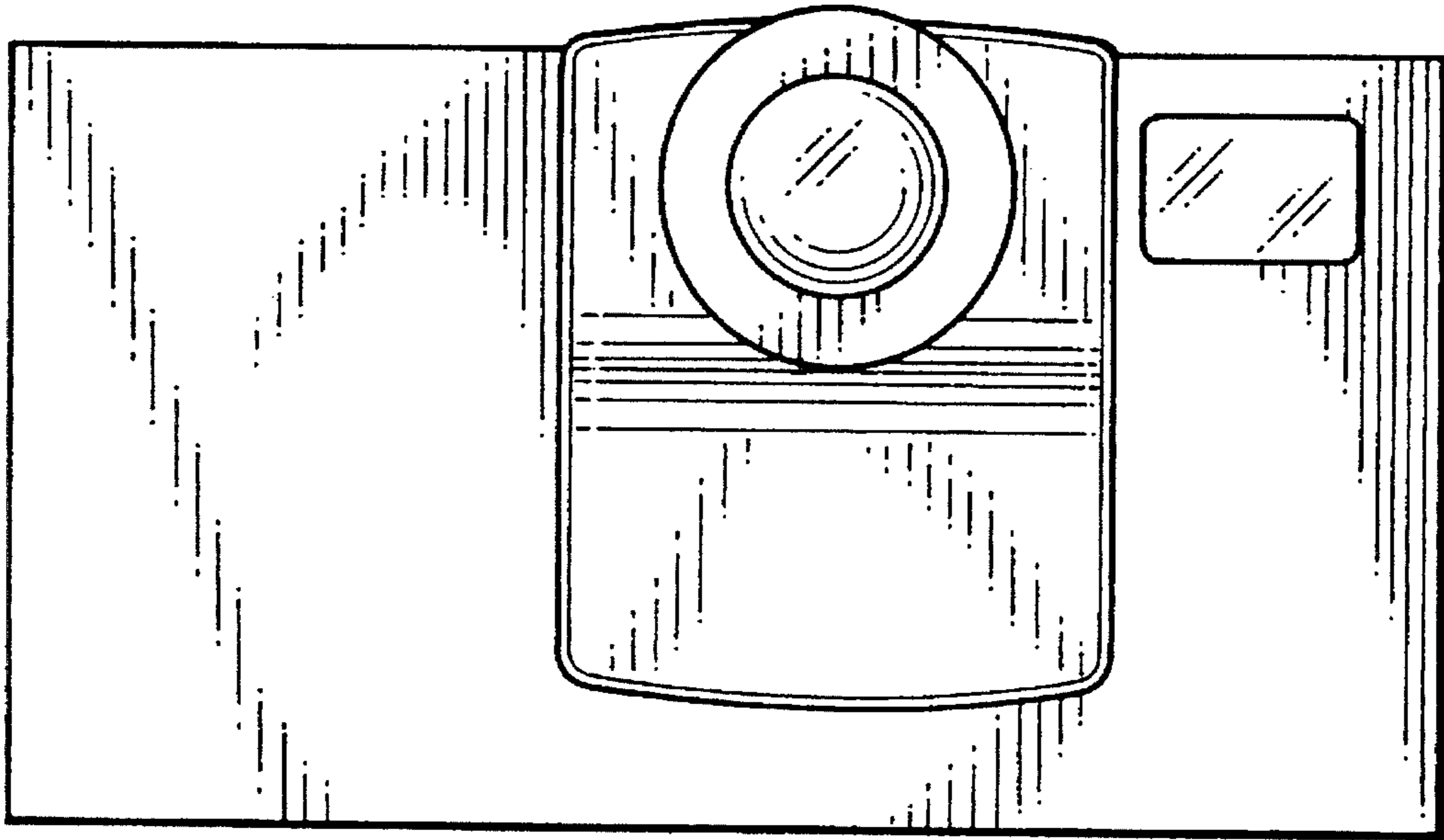


FIG. 3

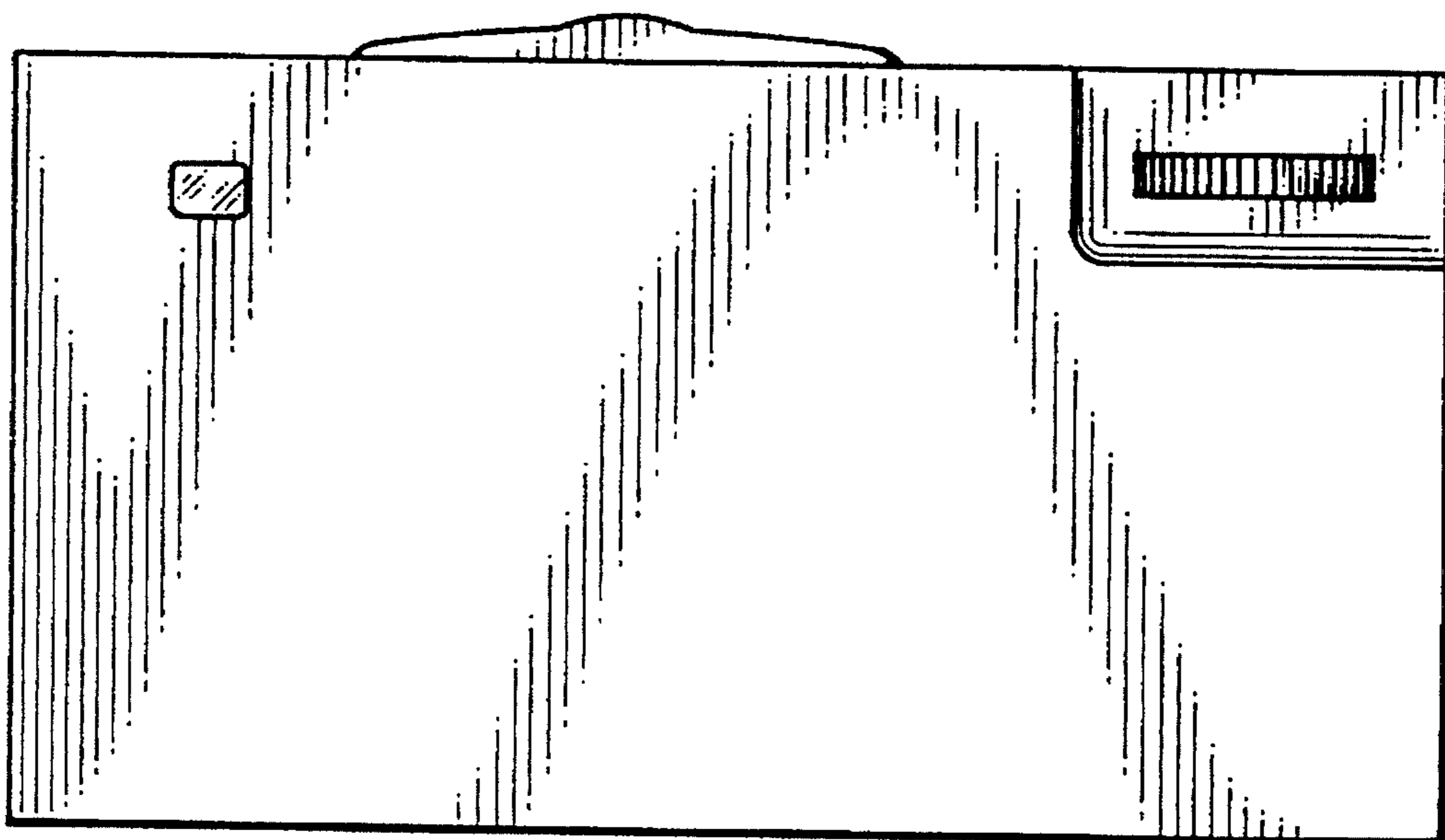


FIG. 4

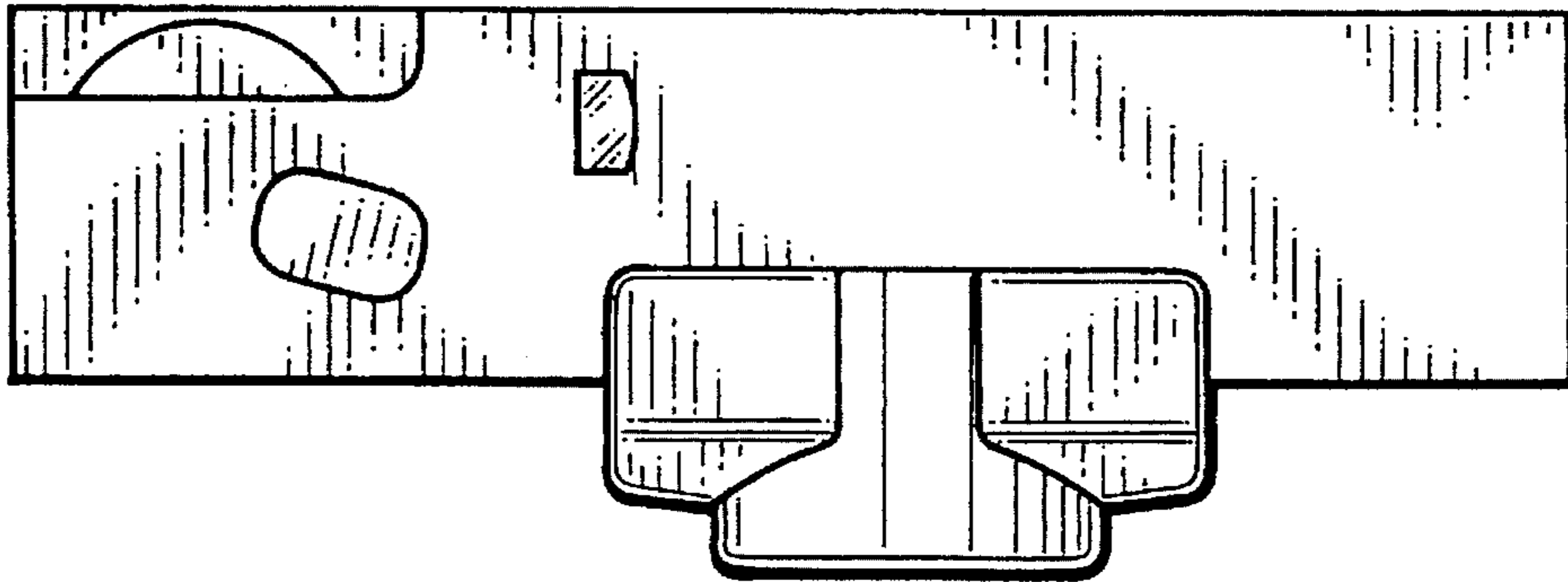


FIG. 5

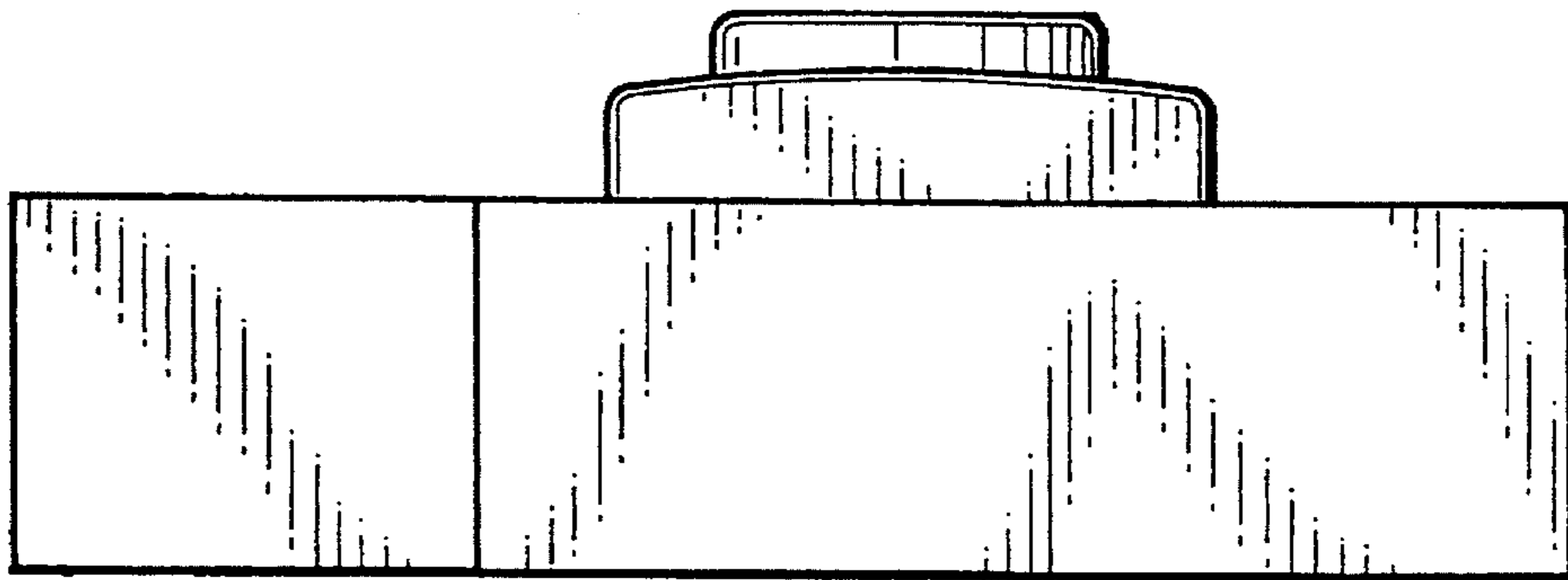


FIG. 6

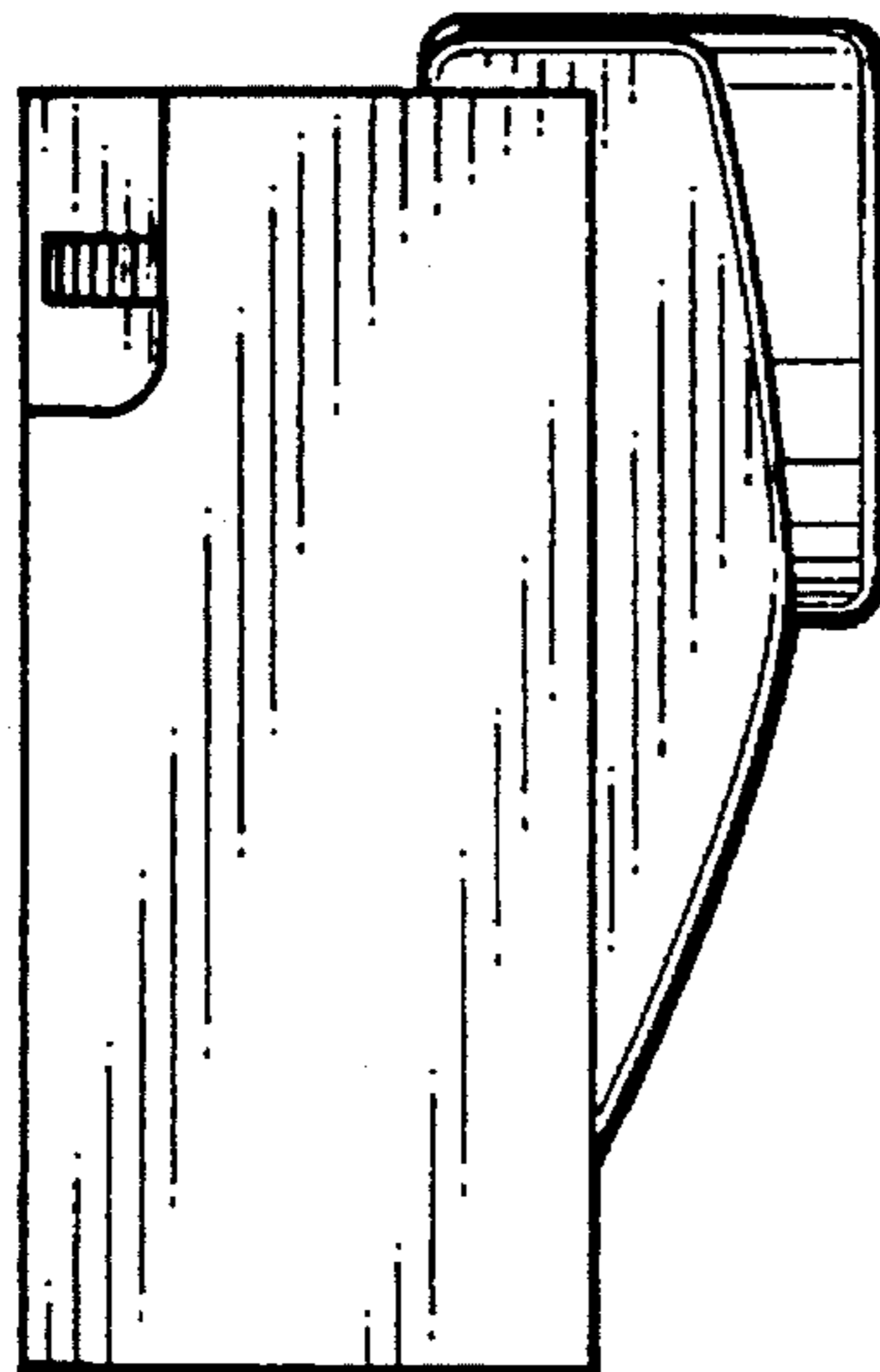


FIG. 7

