



US00D363077S

# United States Patent [19]

[11] Patent Number: **Des. 363,077**

Calvert

[45] Date of Patent: **\*\*Oct. 10, 1995**

## [54] HOIST GEAR LUBRICATOR

## FOREIGN PATENT DOCUMENTS

[76] Inventor: **Larry N. Calvert**, Rt. 3, Box 175AA,  
Huddleston, Va. 24104

739204 1/1933 France .  
804962 2/1981 U.S.S.R. .  
2147064 5/1985 United Kingdom .

[\*\*] Term: **14 Years**

*Primary Examiner*—Antoine Duval Davis  
*Attorney, Agent, or Firm*—Richard C. Litman

[21] Appl. No.: **26,353**

## [57] CLAIM

[22] Filed: **Jul. 25, 1994**

[52] U.S. Cl. .... **D15/150**

The ornamental design for a hoist gear lubricator, as shown and described.

[58] Field of Search ..... D15/150-152;  
D12/400, 216, 223; 74/397, 467, 606 R;  
184/6.12, 6.28; 254/360; 277/15, 67, 68;  
366/64; 418/66

## DESCRIPTION

## [56] References Cited

### U.S. PATENT DOCUMENTS

D. 237,404	10/1975	Trapold .....	D15/152 X
D. 267,651	1/1983	Hodge .....	D15/150
2,922,553	1/1960	Wilson, 3rd .	
3,072,931	1/1963	Miller et al. .	
3,601,515	8/1971	Pelizzoni .	
3,931,748	1/1976	Tertinek et al. .	
4,448,397	5/1984	Broyden .....	254/360
4,582,170	4/1986	Horiuchi .	
4,669,609	6/1987	Lugo .....	206/229

FIG. 1 is a front elevational view of a hoist gear lubricator showing my new design, the rear view being unadorned and therefore not shown;

FIG. 2 is a top plan view thereof;

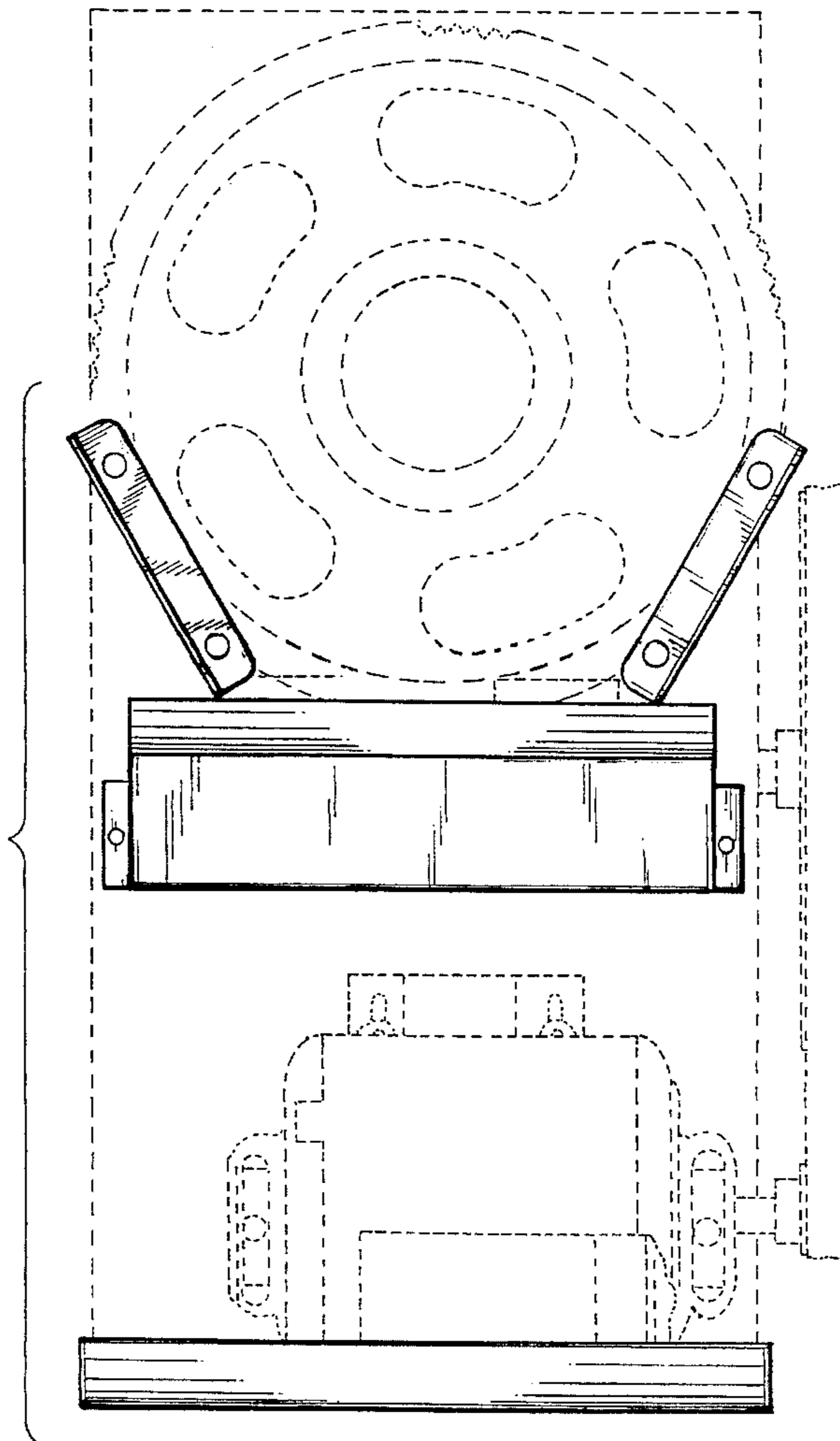
FIG. 3 is a bottom plan view thereof;

FIG. 4 is a right side elevational view thereof; and,

FIG. 5 is a left side elevational view thereof.

The broken line showing of a motor, pulleys, belt, worm gear and toothed wheel gear is for illustrative purposes only, showing the environment of the invention, and forms no part of the claimed design.

**1 Claim, 4 Drawing Sheets**



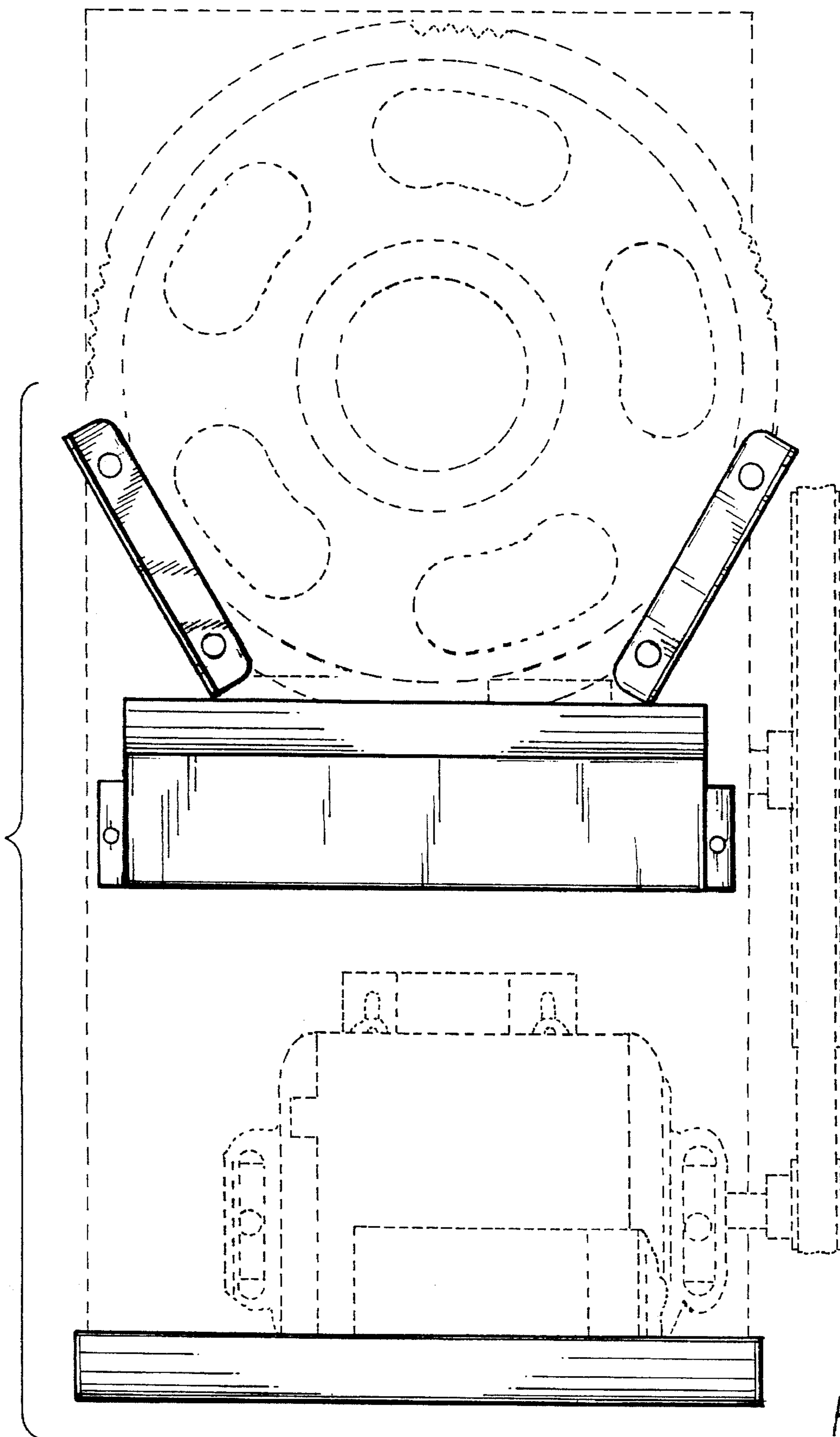


FIG. 1

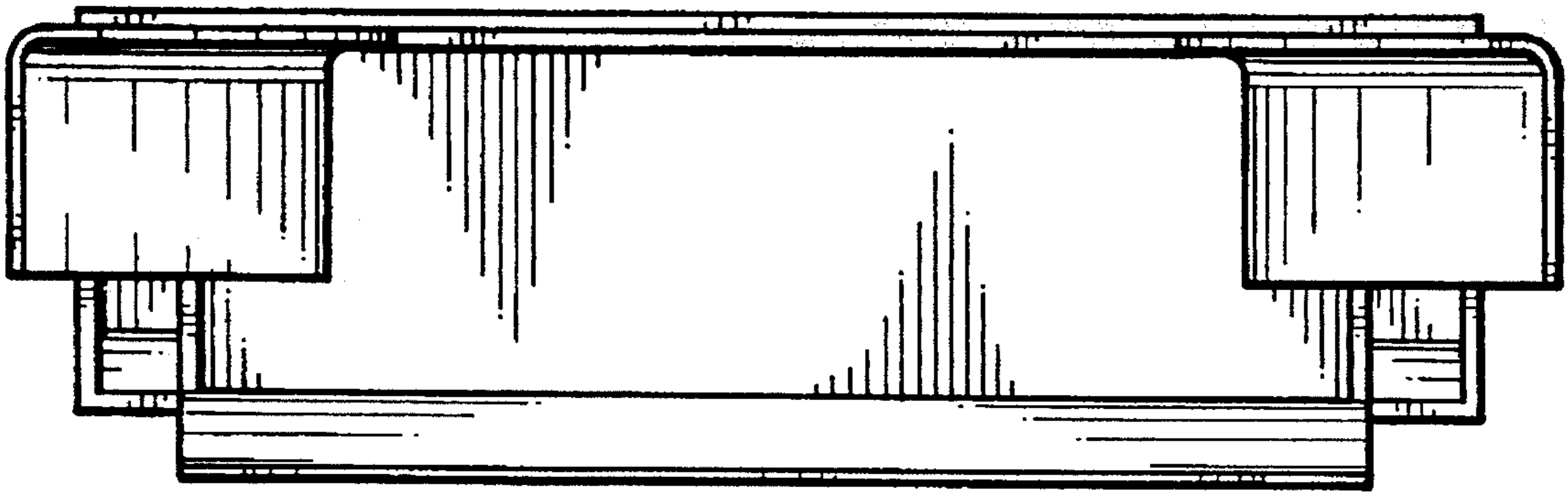


FIG. 2

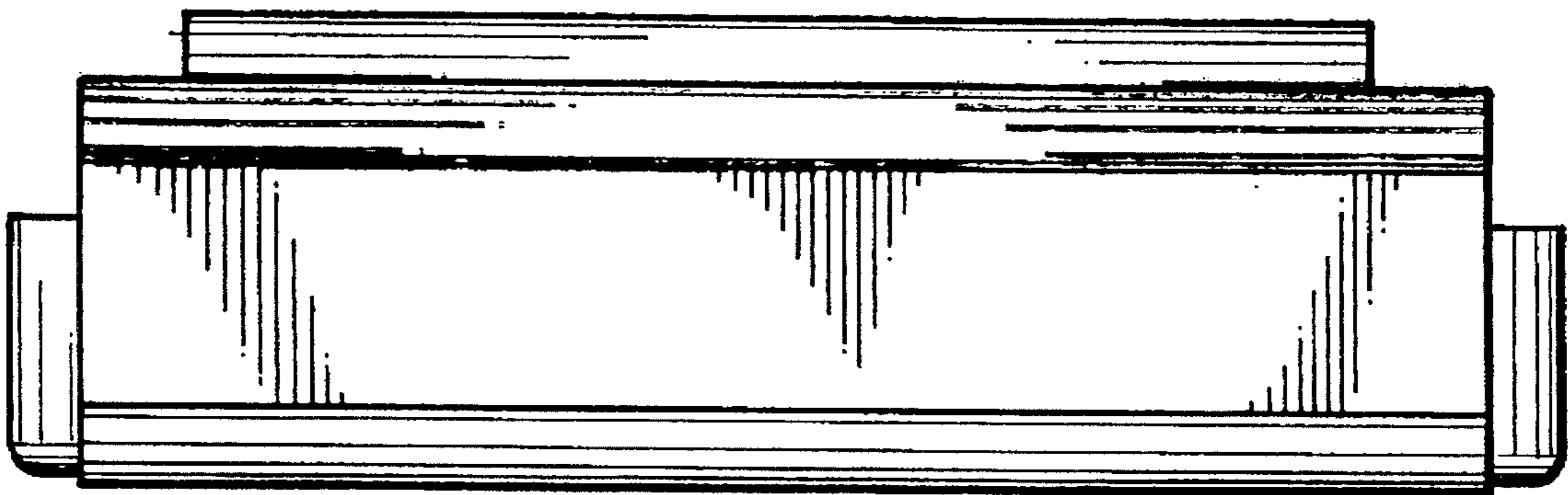


FIG. 3

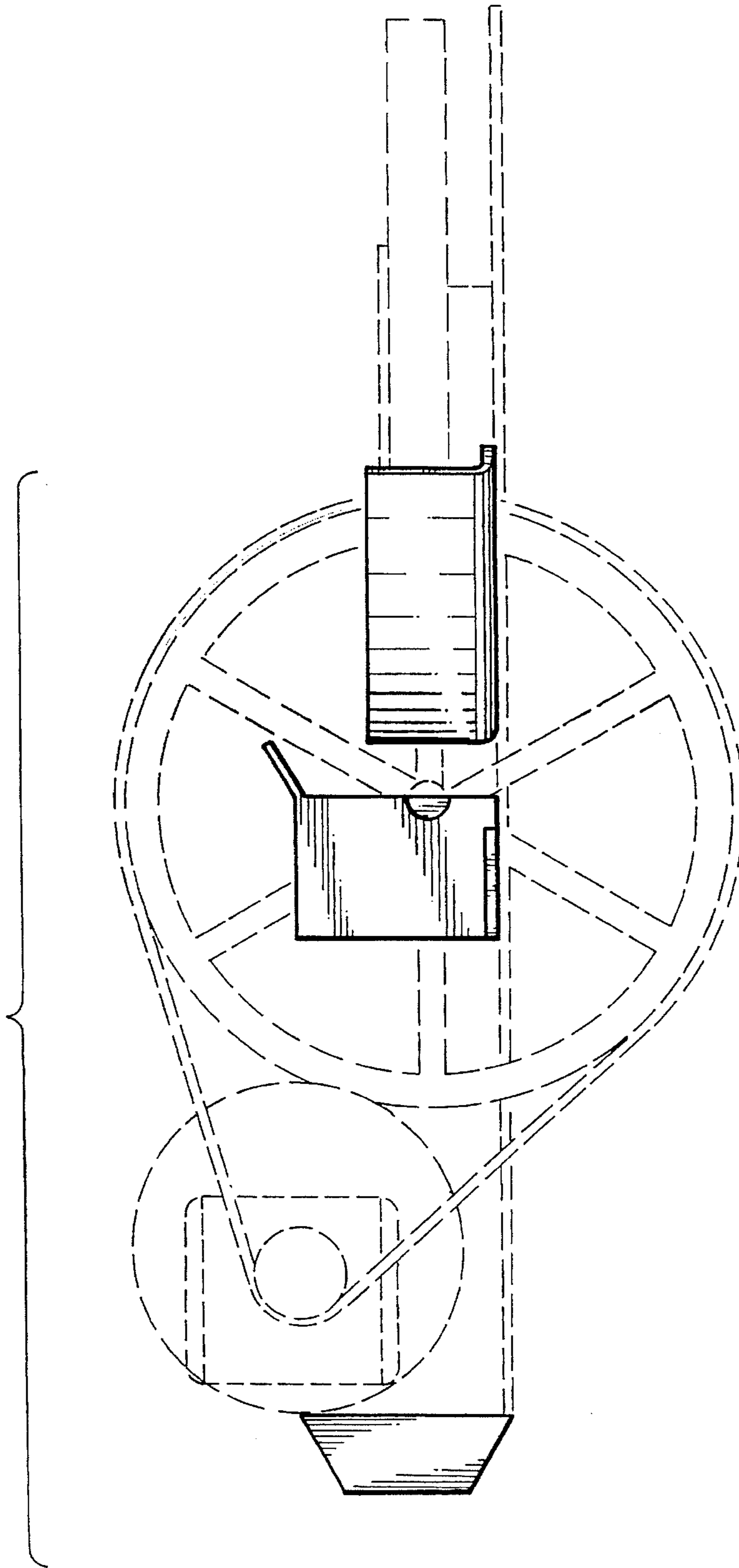


FIG. 4

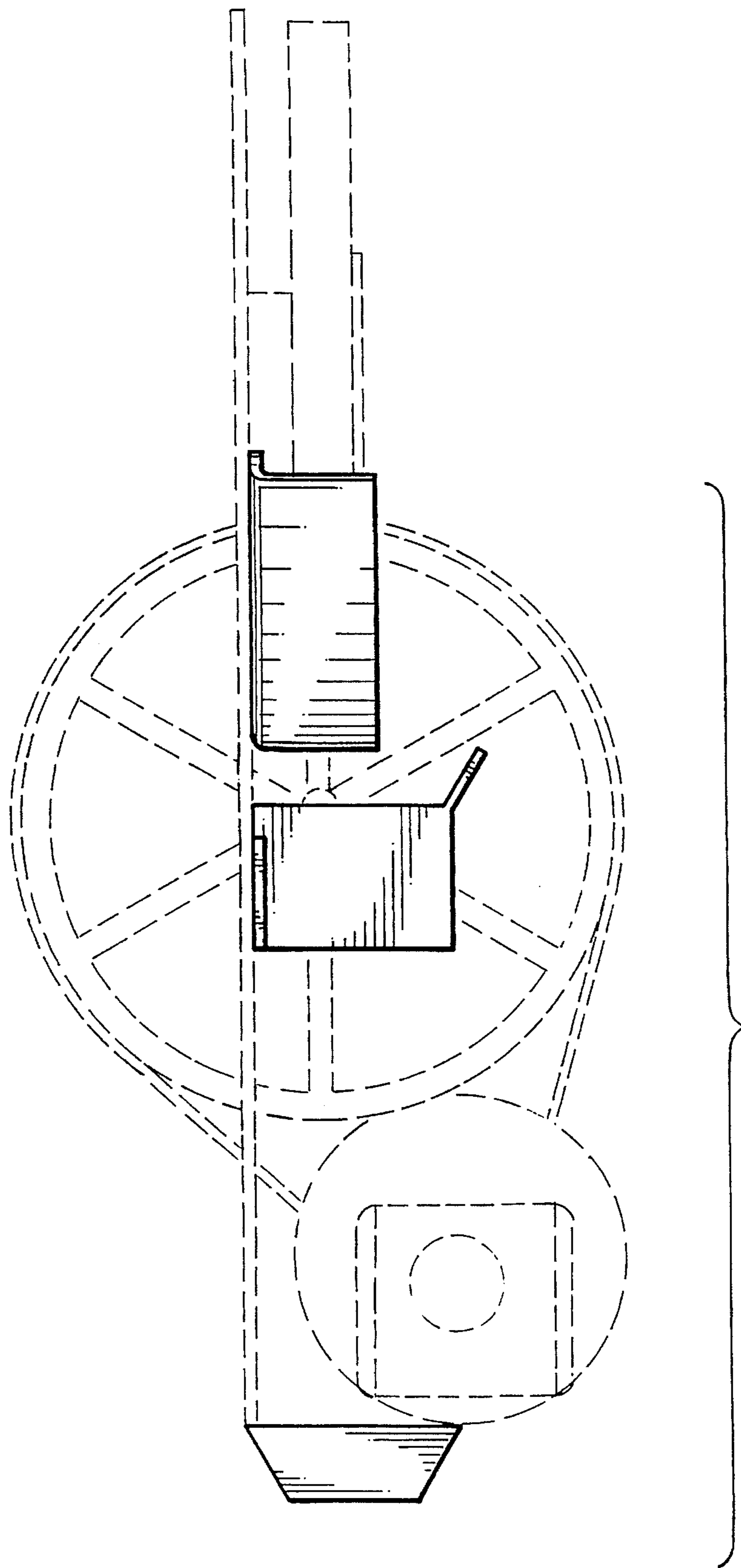


FIG. 5