



US00D363074S

United States Patent [19]

[11] Patent Number: **Des. 363,074**

Ruvang

[45] Date of Patent: ****Oct. 10, 1995**

- [54] **PENETRATING SHOVEL TOOTH**
- [75] Inventor: **John A. Ruvang**, Carrollton, Tex.
- [73] Assignee: **GH Hensley Industries, Inc.**, Dallas, Tex.
- [**] Term: **14 Years**
- [21] Appl. No.: **21,747**
- [22] Filed: **Apr. 22, 1994**
- [52] U.S. Cl. **D15/29**
- [58] Field of Search **D15/10, 28, 29;**
37/452-454

2,247,202	6/1941	Ratkowski	37/452
3,085,635	4/1963	Livermore	37/452
3,225,467	12/1965	Troepl	37/452
3,444,633	5/1969	Hensley	37/452
3,959,901	6/1976	Klett	37/452

Primary Examiner—Sandra L. Morris
Attorney, Agent, or Firm—Konneker & Bush

[57] CLAIM

The ornamental design for a penetrating shovel tooth, as shown and described.

DESCRIPTION

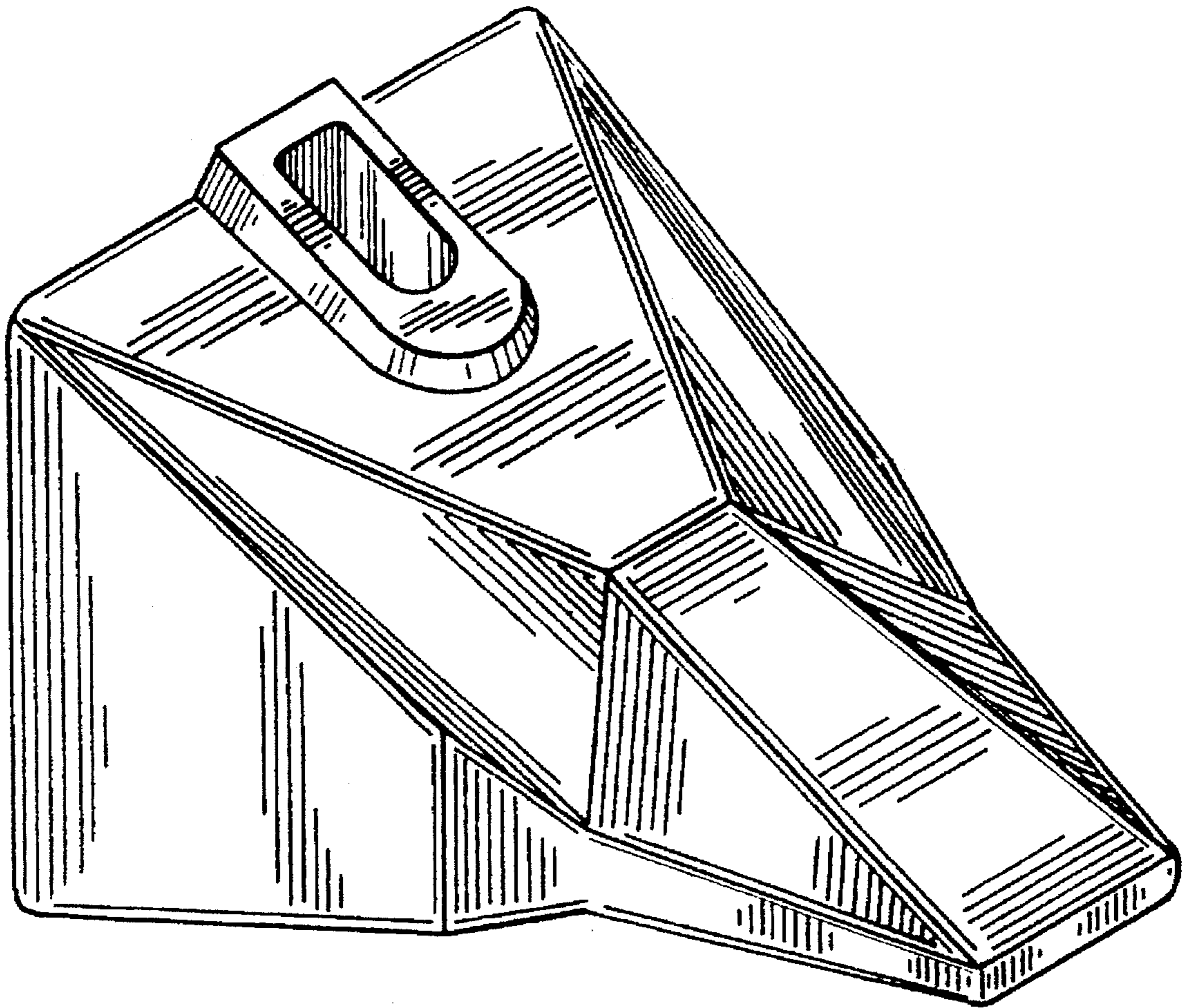
FIG. 1 is a front perspective view of the penetrating shovel tooth;
FIG. 2 is a front end elevational view thereof;
FIG. 3 is right side elevational view thereof, which is a mirror image of the left side elevational view thereof;
FIG. 4 is a rear end elevational view thereof; and,
FIG. 5 is a top plan view thereof which is identical to the bottom plan view thereof.

[56] References Cited

U.S. PATENT DOCUMENTS

D. 228,936	10/1973	Dahlberg et al.	D15/29
D. 328,466	8/1992	Robinson	D15/29
D. 329,243	9/1992	Robinson	D15/29
D. 336,304	6/1993	Robinson	D25/29
D. 345,364	3/1994	Robinson	D15/29
D. 354,291	1/1995	Edwards	D15/29

1 Claim, 2 Drawing Sheets



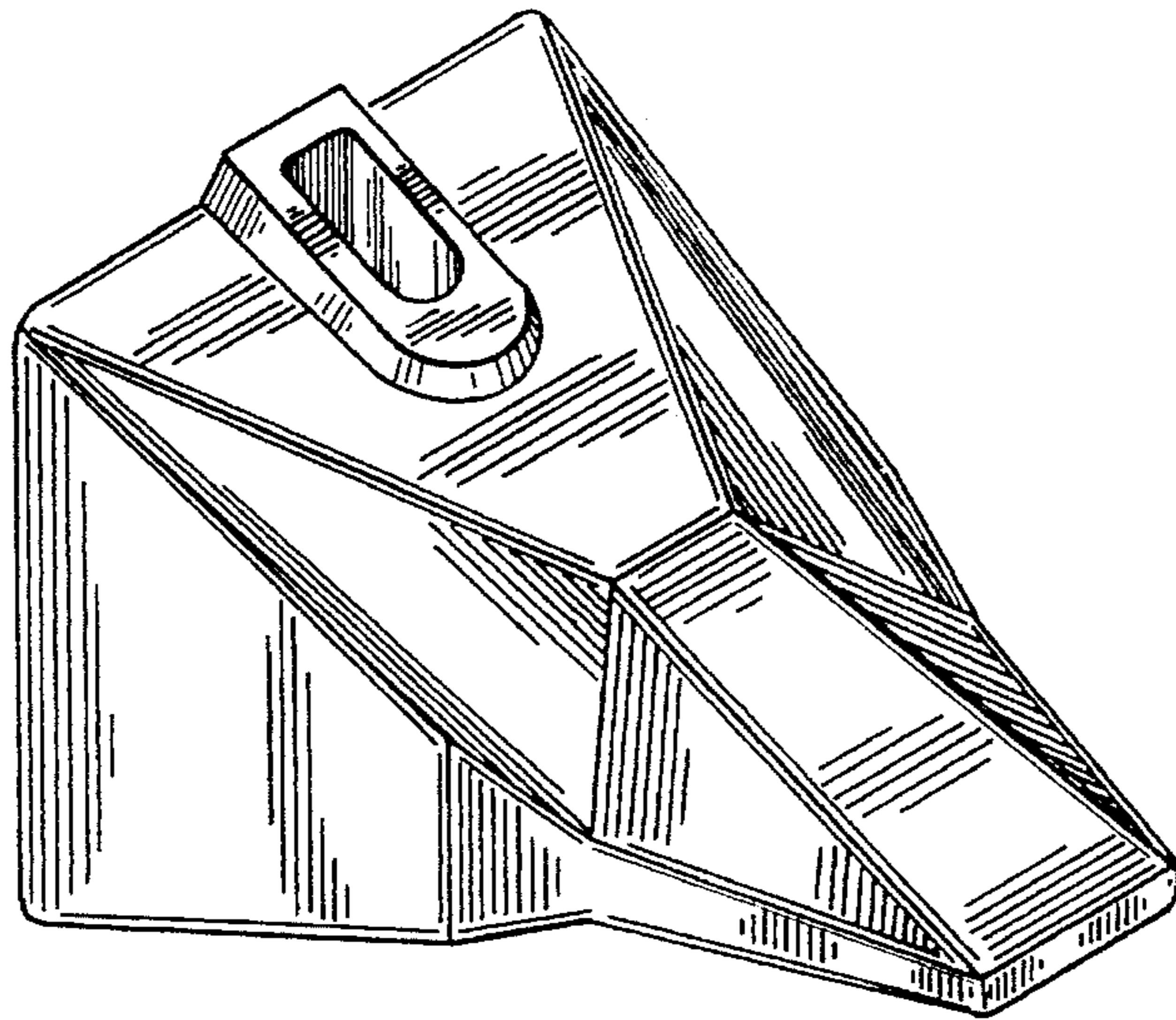


FIG. 1

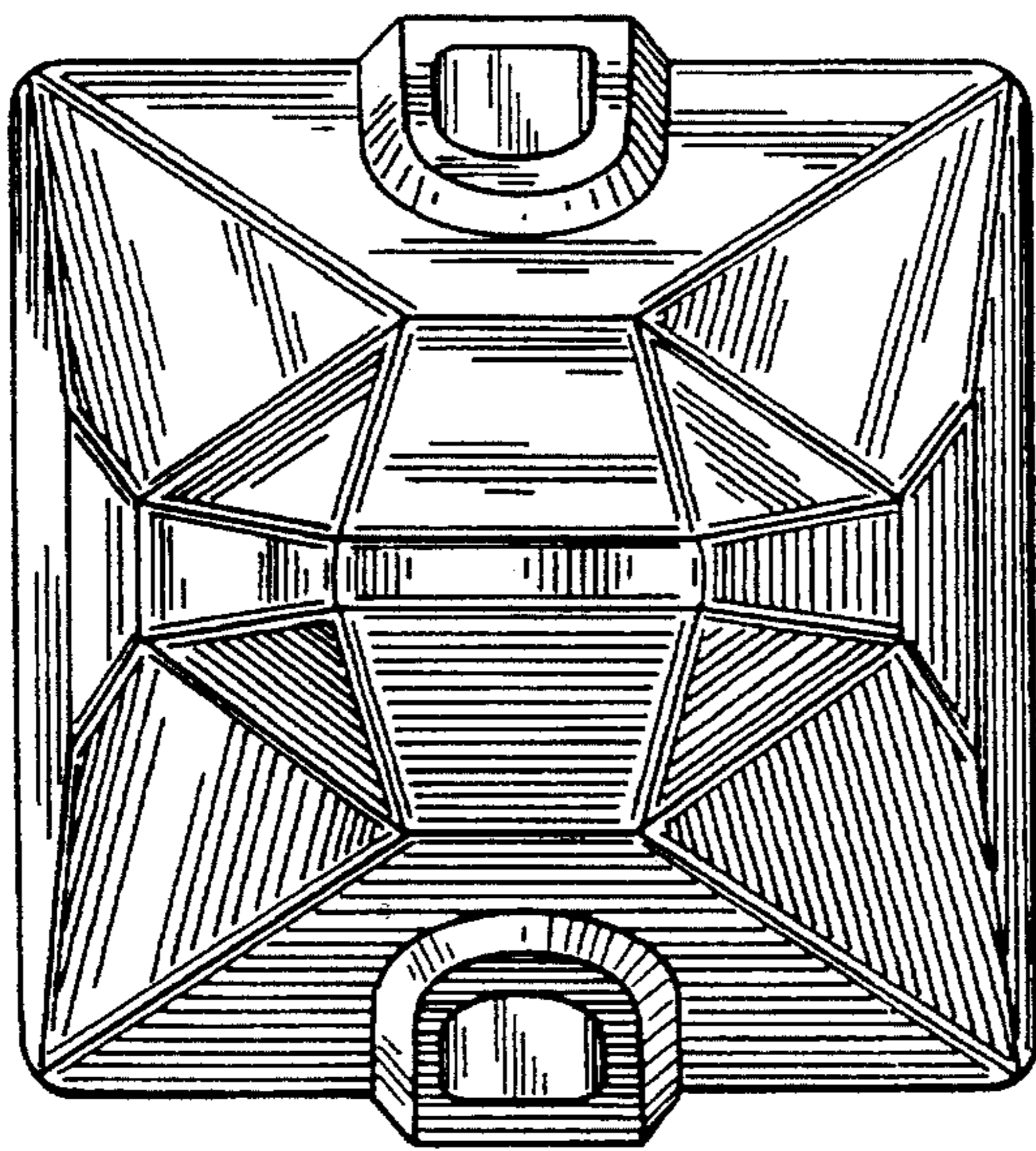


FIG. 2

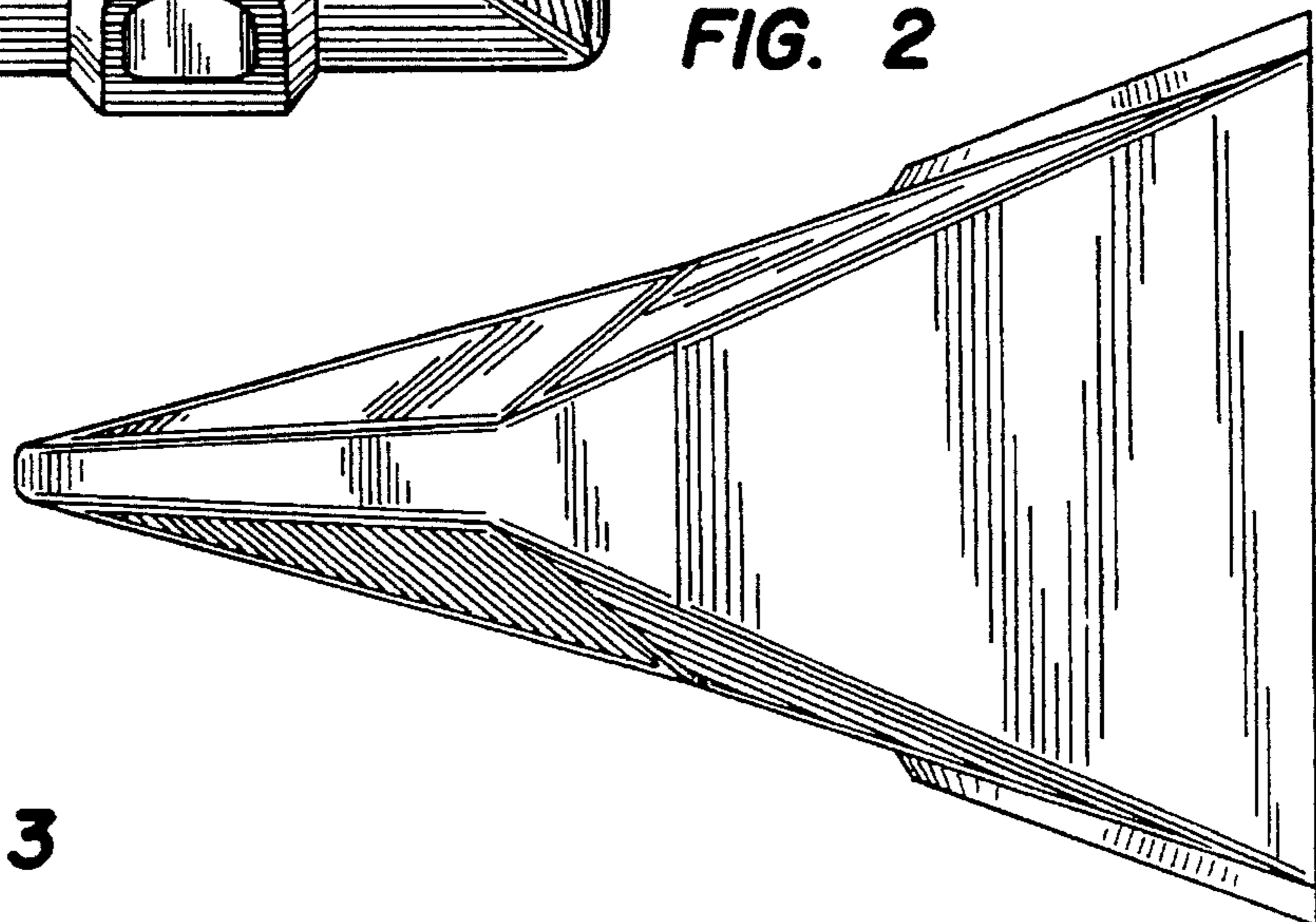


FIG. 3

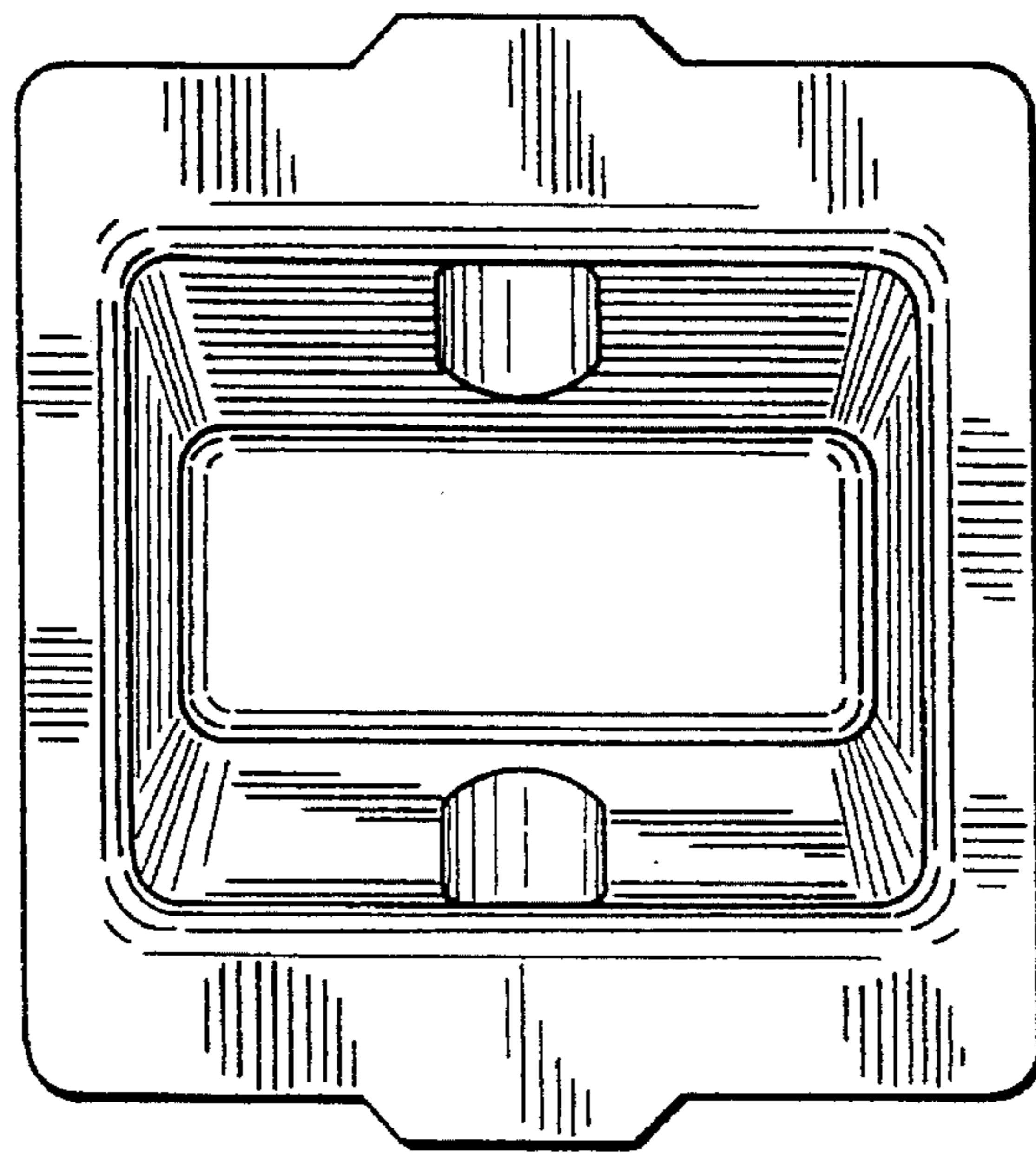


FIG. 4

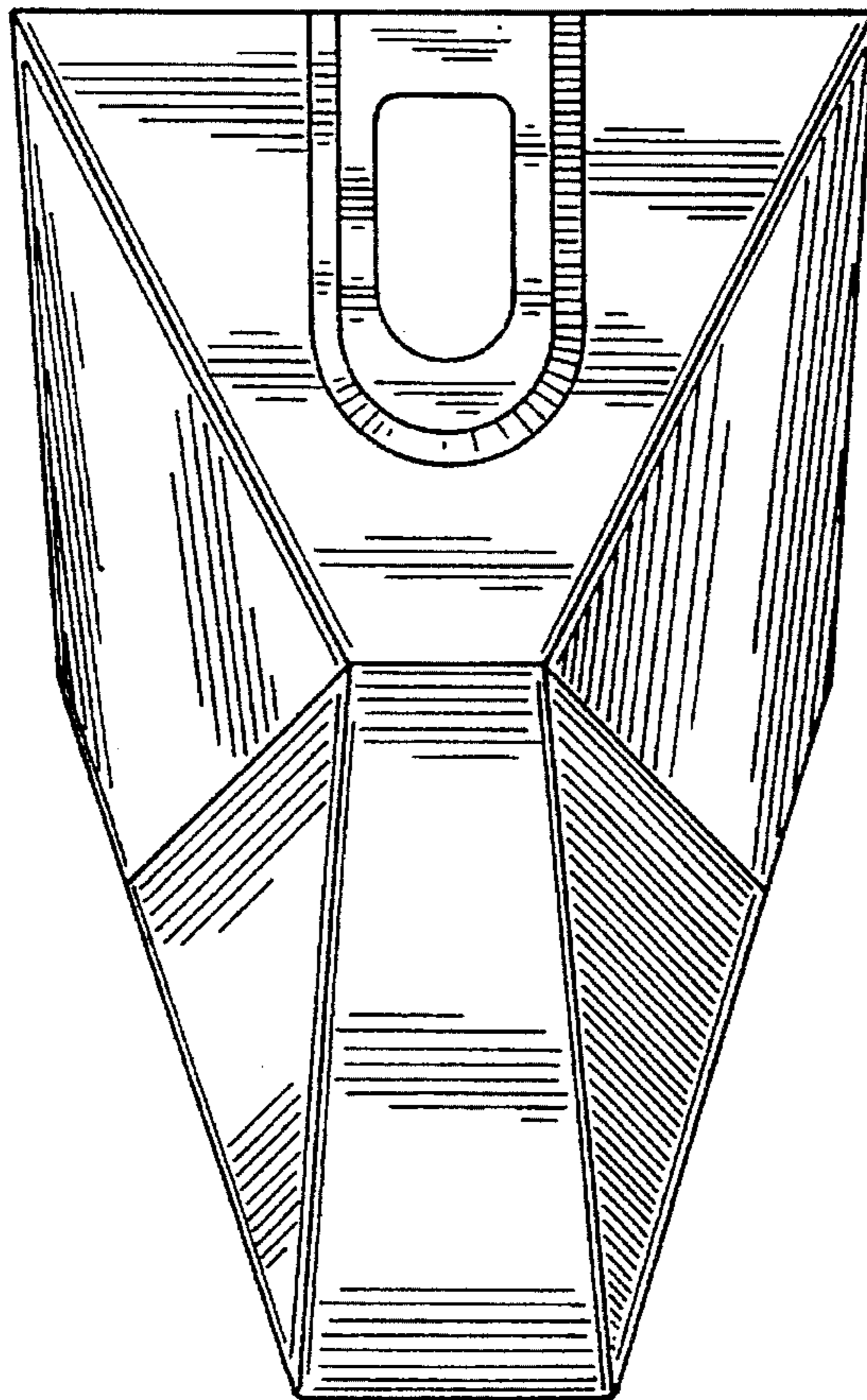


FIG. 5