



US00D363073S

United States Patent [19]

[11] Patent Number: **Des. 363,073**

Makino

[45] Date of Patent: ***** Oct. 10, 1995**

[54] **PUMP**

[75] Inventor: **Michio Makino**, Funabashi, Japan

[73] Assignee: **Kaiyo Kogyo Kabushiki Kaisha**, Tokyo, Japan

[*] Notice: The portion of the term of this patent subsequent to Aug. 22, 2009 has been disclaimed.

[**] Term: **14 Years**

D. 324,279	2/1992	Gross	D3/106
4,472,113	9/1984	Roger	417/321
4,702,830	10/1987	Makino et al.	210/220
4,752,421	6/1988	Kakino	261/120
4,911,838	3/1990	Tanaka	210/242.2

Primary Examiner—Ralf T. Seifert
Attorney, Agent, or Firm—Wenderoth, Lind & Ponack

[57] CLAIM

The ornamental design for a pump, as shown and described.

DESCRIPTION

[21] Appl. No.: **12,887**

[22] Filed: **Sep. 14, 1993**

[52] U.S. Cl. **D15/7**

[58] **Field of Search** D23/231, 232, D23/213, 207; 417/234, 258, 321, 410 B, 415-416, 426, 535-537; 152/415-416, 426; D30/106; D15/7-8; D22/134; 210/242.2, 220; 261/77, 120, 123

FIG. 1 is a perspective view of a pump showing my new design;
 FIG. 2 is a front elevational view of FIG. 1, rear corresponds;
 FIG. 3 is a side elevational view taken from the right of FIG. 1;
 FIG. 4 is a top plan view of FIG. 1;
 FIG. 5 is a bottom plan view of FIG. 1;
 FIG. 6 is a side elevational view taken from the left of FIG. 1; and,
 FIG. 7 is a section view on line 7—7 in FIG. 3.

[56] References Cited

U.S. PATENT DOCUMENTS

D. 208,618 9/1967 Munch D23/213

1 Claim, 2 Drawing Sheets

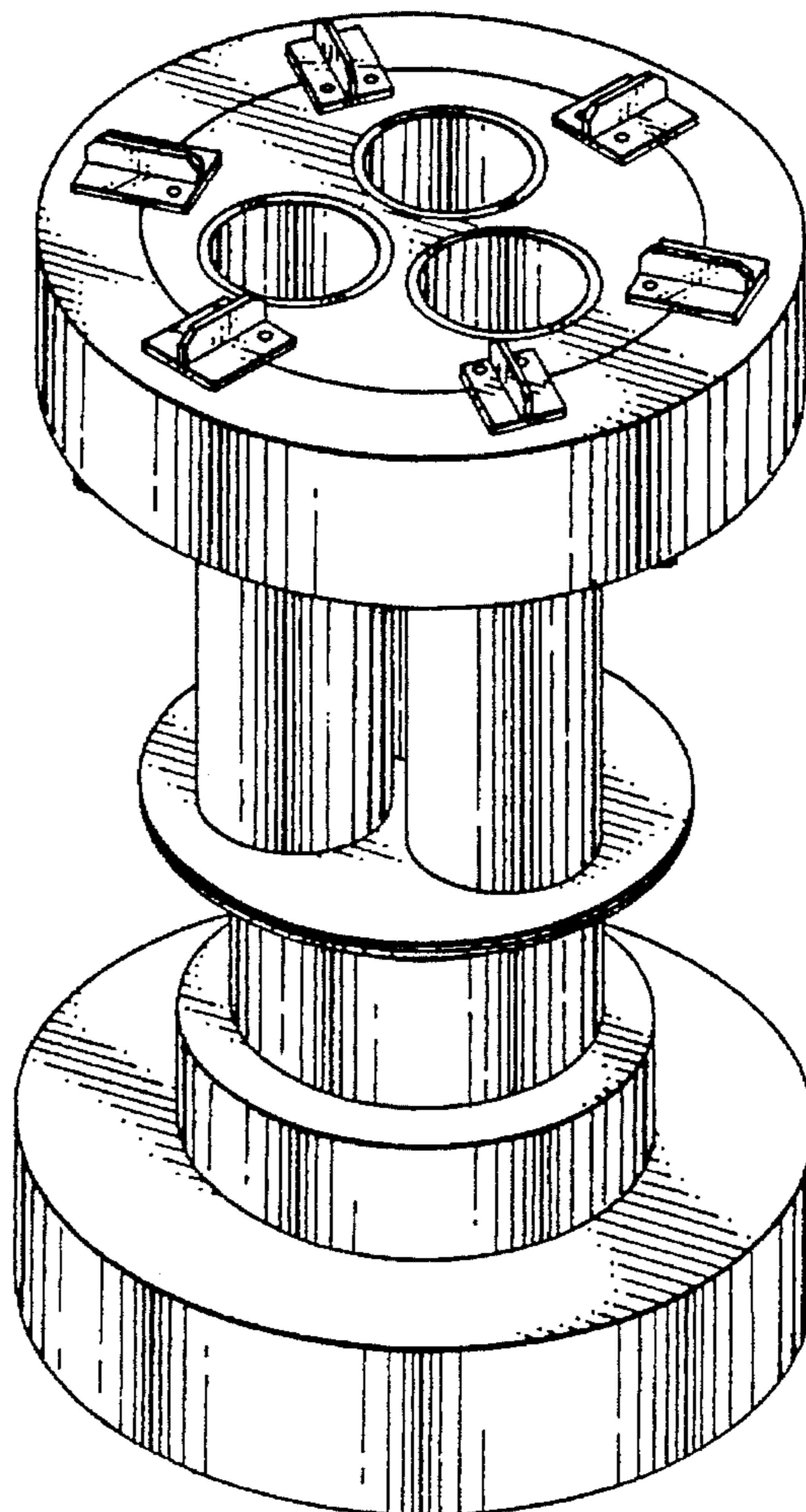


FIG. 1

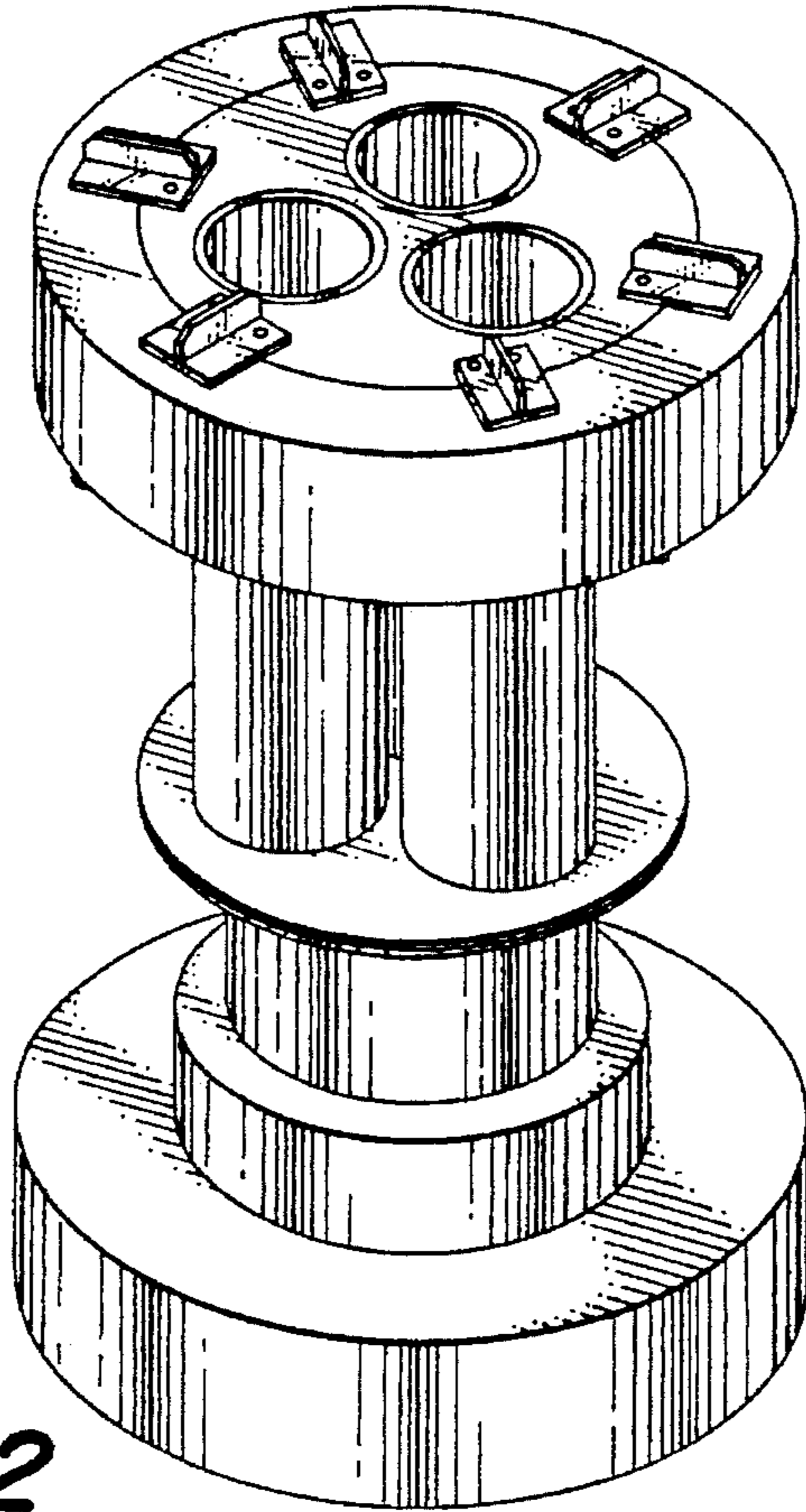


FIG. 2

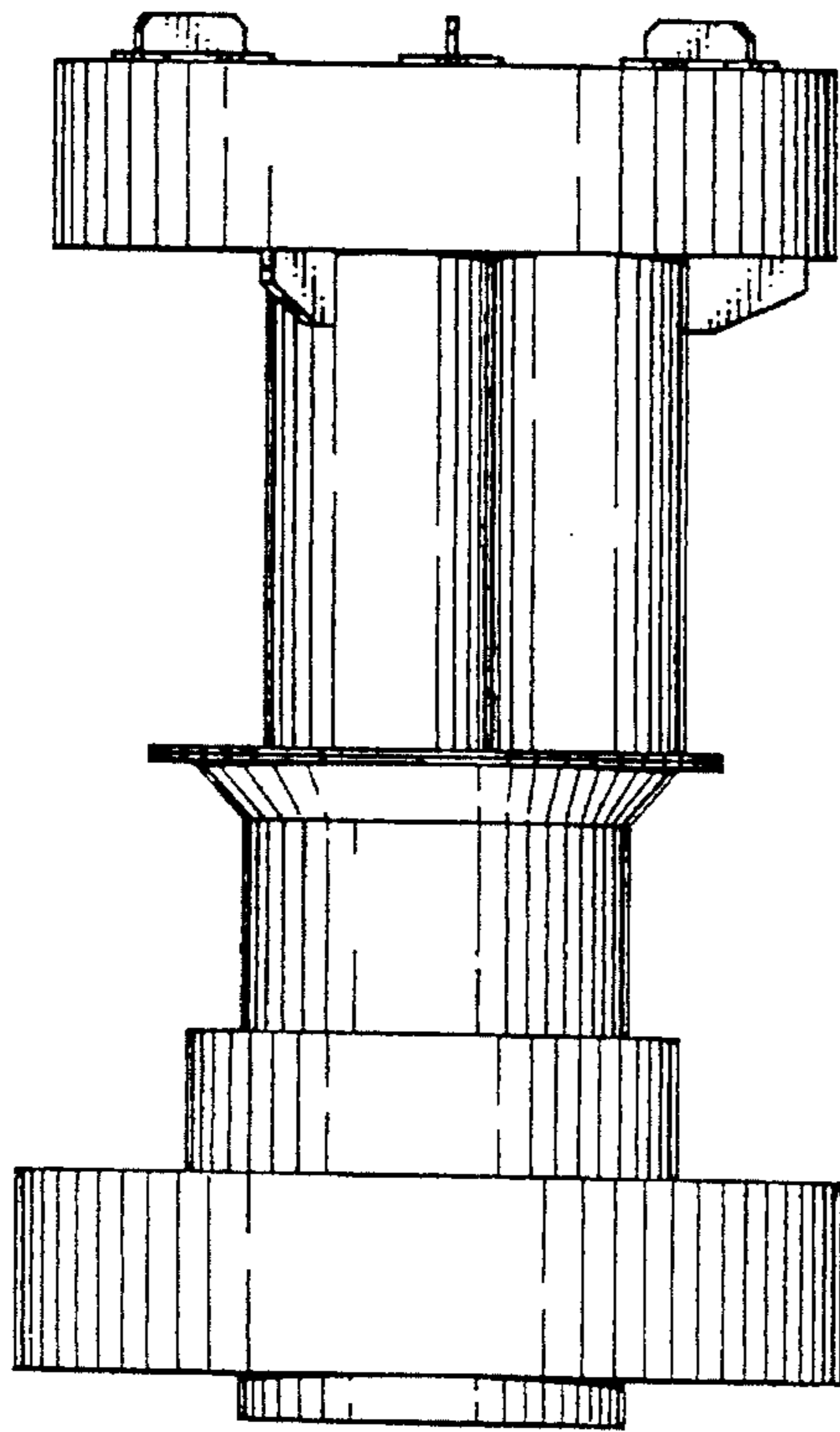


FIG. 3

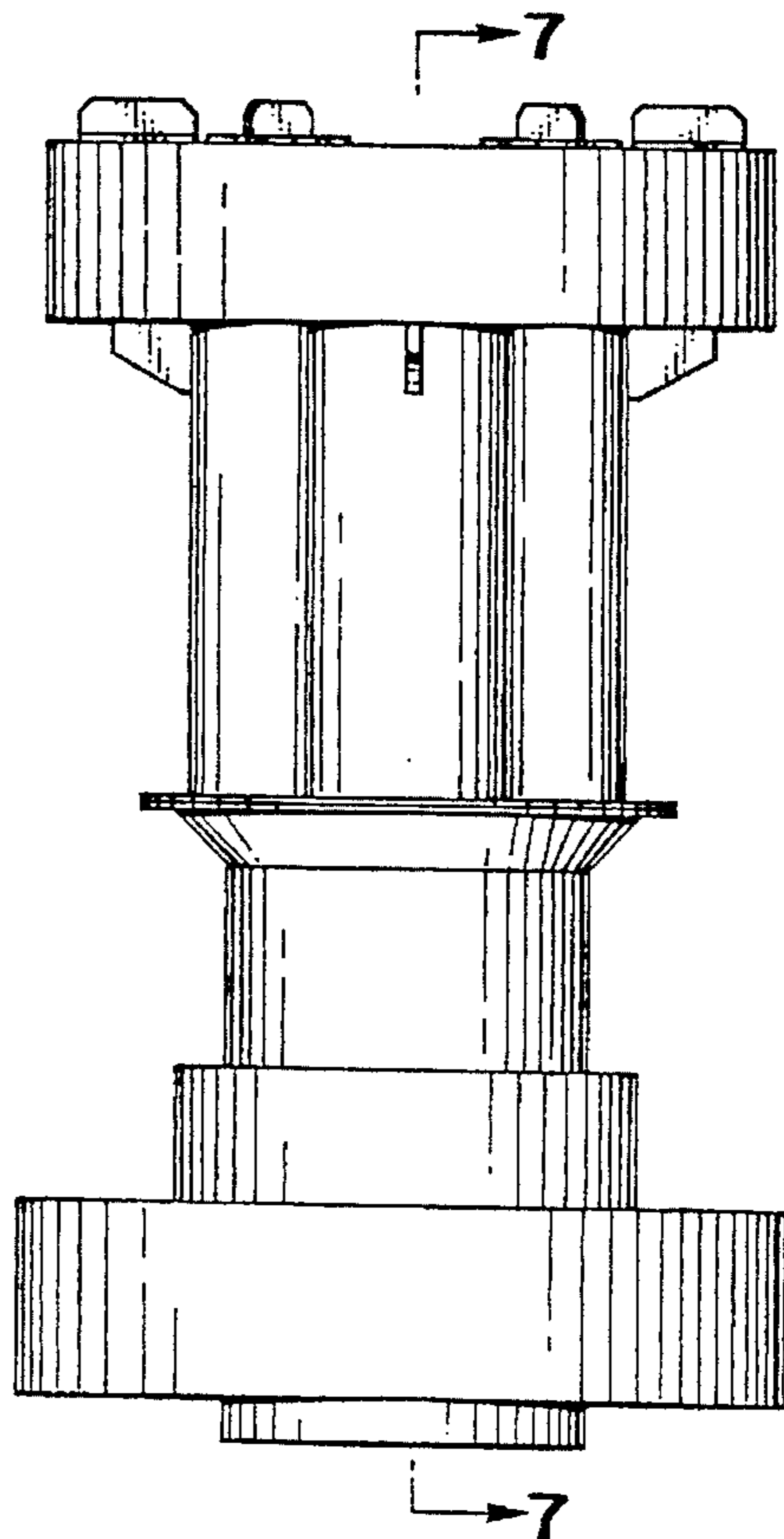


FIG. 4

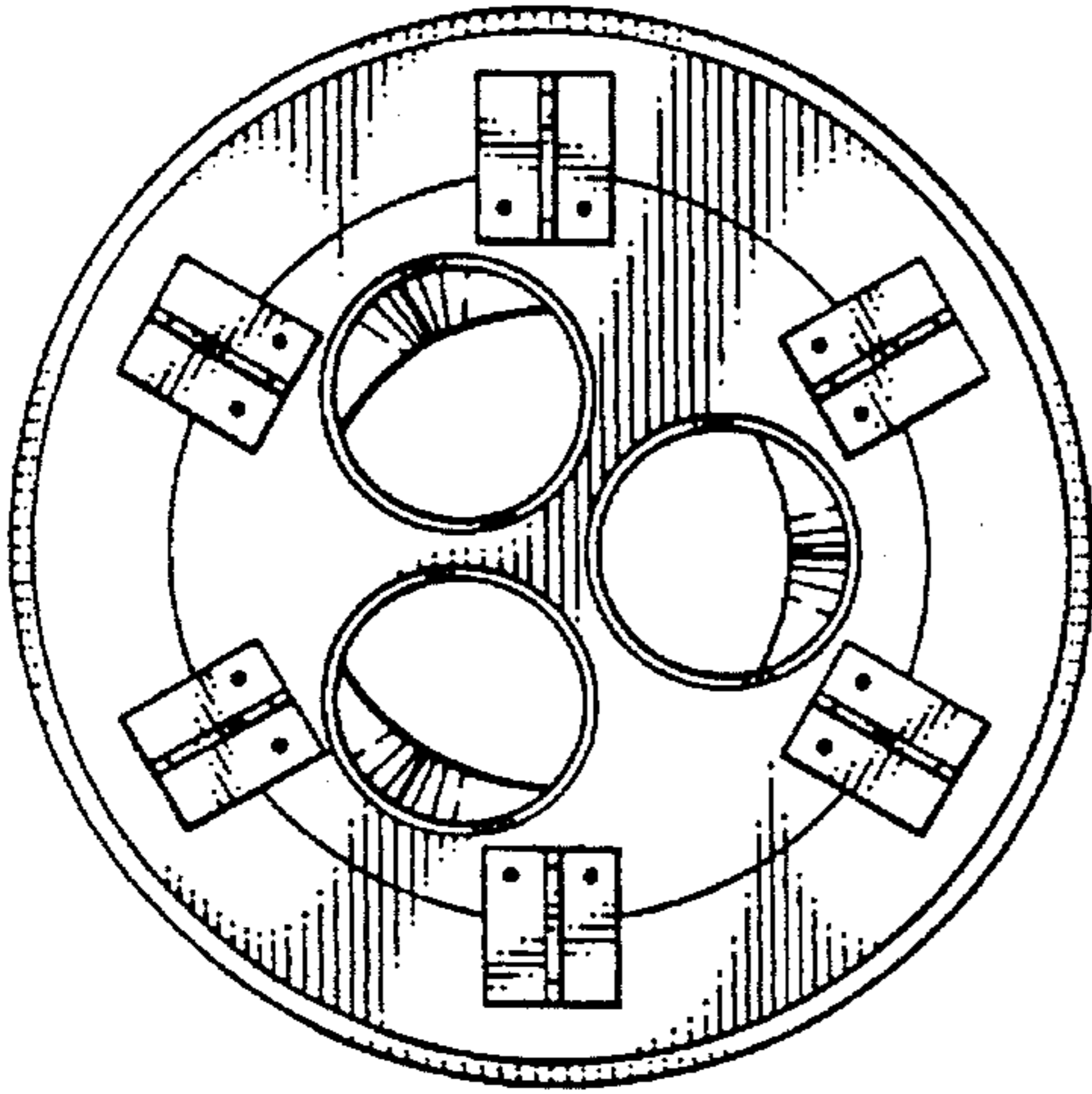


FIG. 5

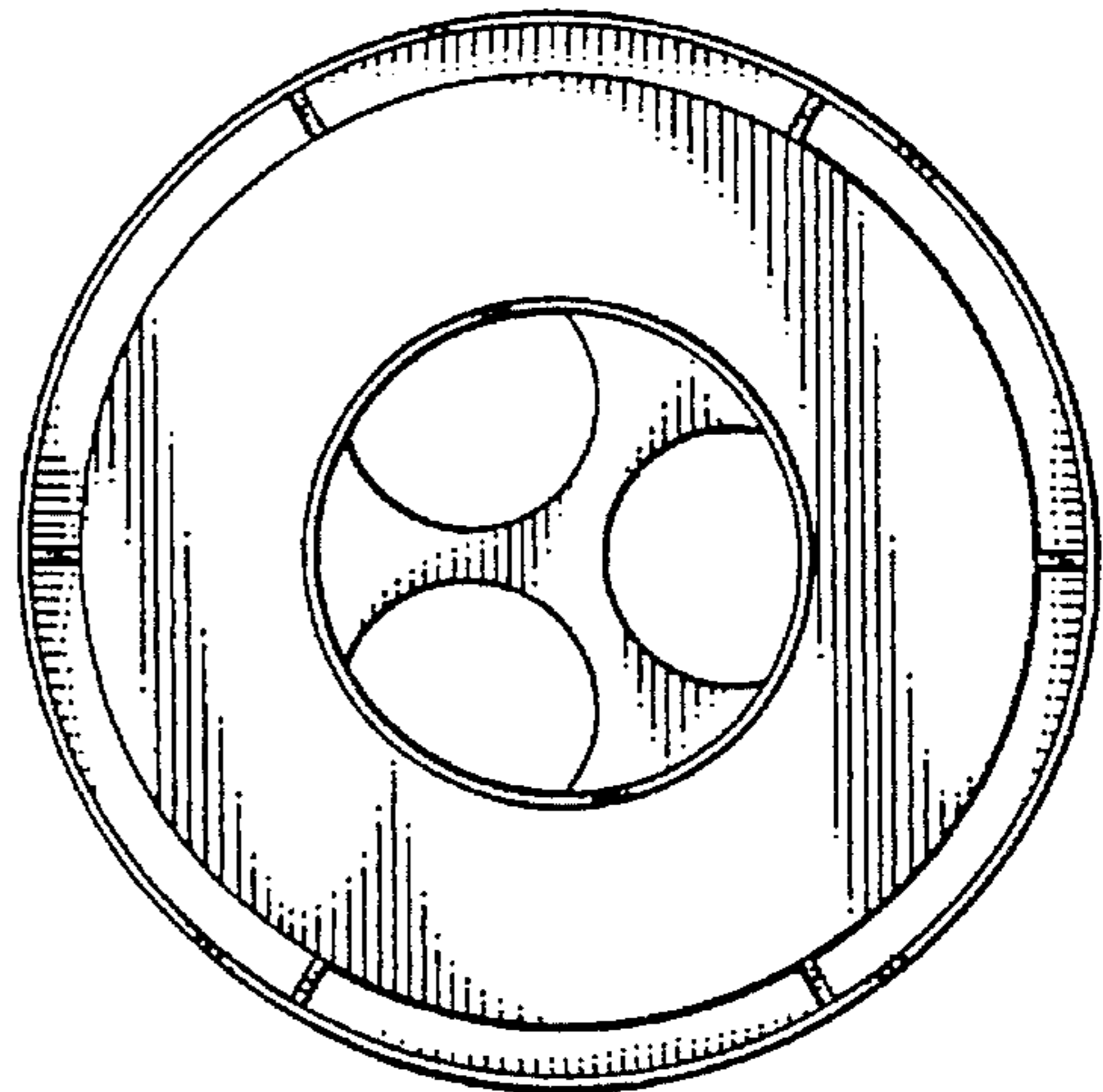


FIG. 6

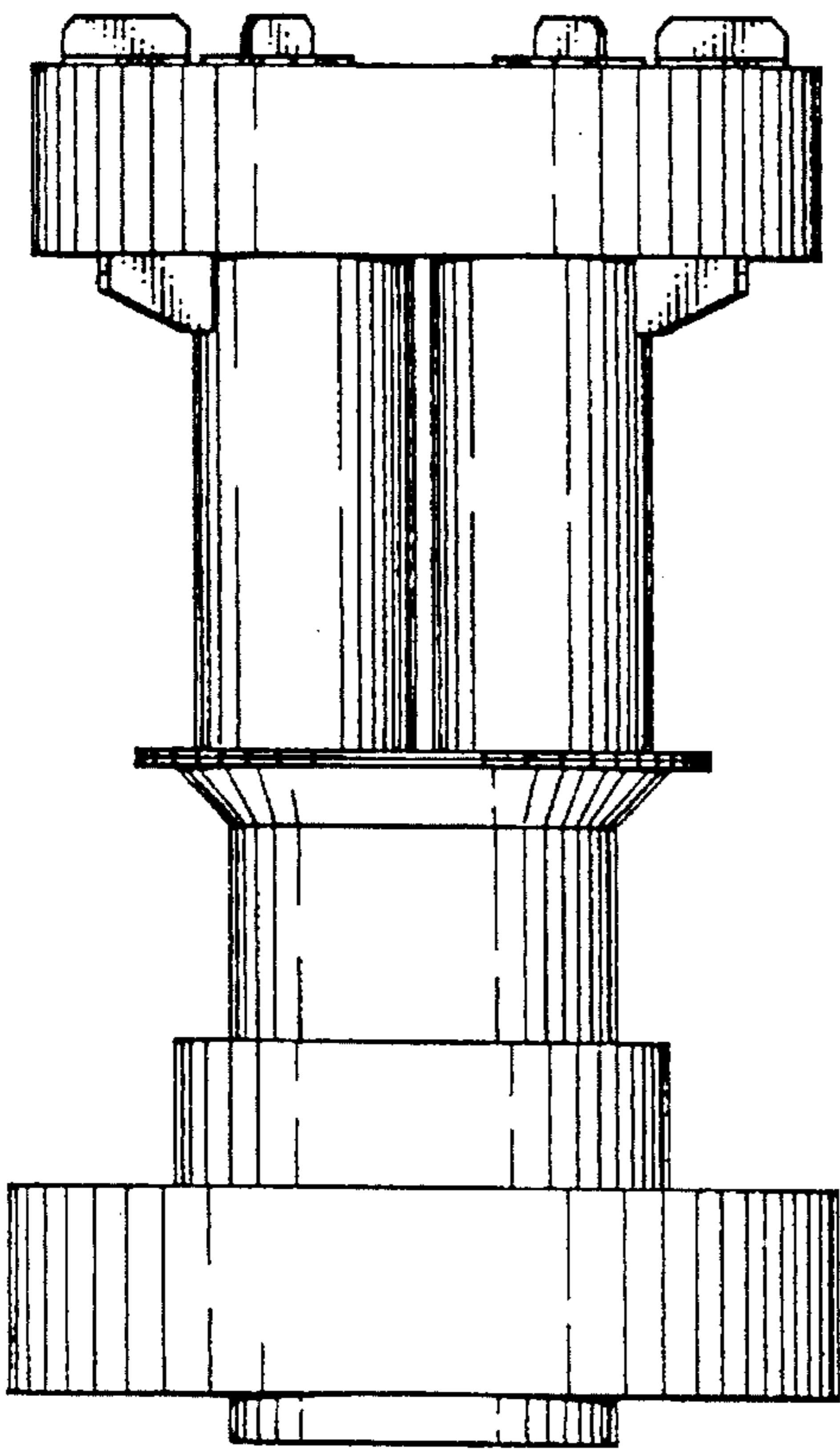


FIG. 7

